

MINIMO 1 TILT TRIMLESS

12° NARROW BEAM

STATIC WHITE



OVERVIEW

Minimo 1 Tilt Trimless is a Constant Current single source LED recessed spotlight that is machined from aerospace grade aluminium 6063-T6 and comes as standard in white, black and brushed aluminium. It has three site-changeable optics for flexible beam distribution and is adjustable with a 25° tilt without breaking the ceiling line. The narrow beam in our 2.24W 180lm module has a peak intensity of 1566cd.

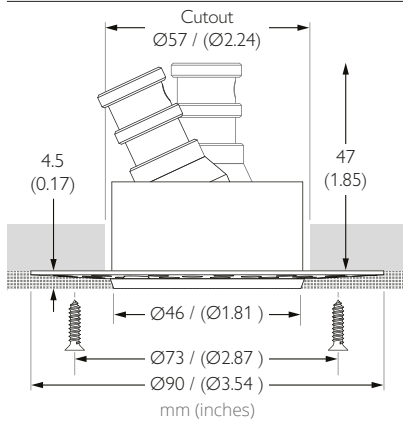
UK PART L	Part L1A / L1B (Dwellings)	EXEMPT
	Part L2A (General)	EXEMPT
	Part L2A (Display)	EXEMPT



PERFORMANCE

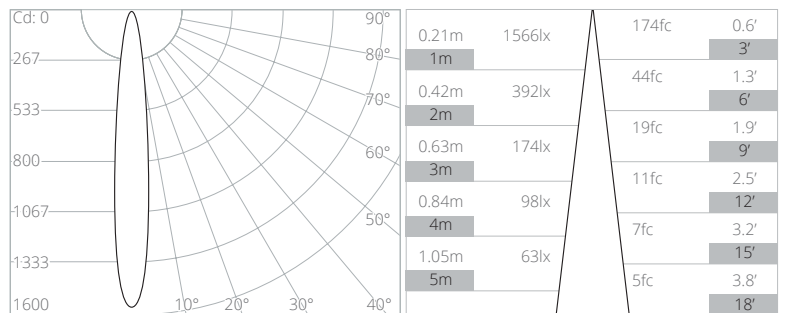
FWHM	12°	Category	IP20
Luminous Flux	164 lm	Material	Machined AL 6063-T6 Machined Brass
Peak Intensity	1566 cd	Finishes	Brushed Aluminium Black RAL9005 White RAL9010 Rubbed Bronze*
CCT	2700K 3000K	Weight	124g 0.27lb
CRI Min.	95 TYP	Cutout	ø57mm (2.24")
Drive Current	700 mA	Movement	Pan 360° Tilt 25°
Nom. Voltage	3.2 V	Min Ceiling Void	20mm (0.79") clearance above
Max. Wattage	2.24 W	Accessories	N/A N/A
Dimming	0-10V DALI	TM65 TM66	9.42kgCO2e 2.4
Driver Type	Constant Current Remote	Lifetime	L90B10 100,000hrs 5 year warranty
Class	SELV Class III		

DIMENSIONS



PHOTOMETRY

CCT	Multiplier
2700K	x1.00
3000K	x1.00



Data at 3000K

ORDER CODE

Model	Finish	CCT	Beam Angle
RCT-621	-	-	
	WH White RAL 9010	2795 2700K 95CRI	12 Narrow
	BK Black RAL 9005	3095 3000K 95CRI	30 Medium
	AL Brushed Aluminium		60 Flood
	RB Rubbed Bronze		

Example Code: RCT-621-WH-309512

*Premium & custom finishes are built to order, subject to an extended lead time & MOQ
See Drivers, Power Supplies and Accessories sections for further order codes

MINIMO 1 TILT TRIMLESS

30° MEDIUM BEAM

STATIC WHITE



OVERVIEW

Minimo 1 Tilt Trimless is a Constant Current single source LED recessed spotlight that is machined from aerospace grade aluminium 6063-T6 and comes as standard in white, black and brushed aluminium. It has three site-changeable optics for flexible beam distribution and is adjustable with a 25° tilt without breaking the ceiling line. The medium beam in our 2.24W 180lm module has a peak intensity of 470cd.

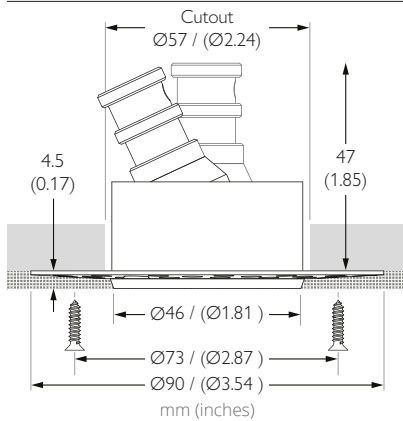
UK PART L	Part L1A / L1B (Dwellings)	EXEMPT
	Part L2A (General)	EXEMPT
	Part L2A (Display)	EXEMPT



PERFORMANCE

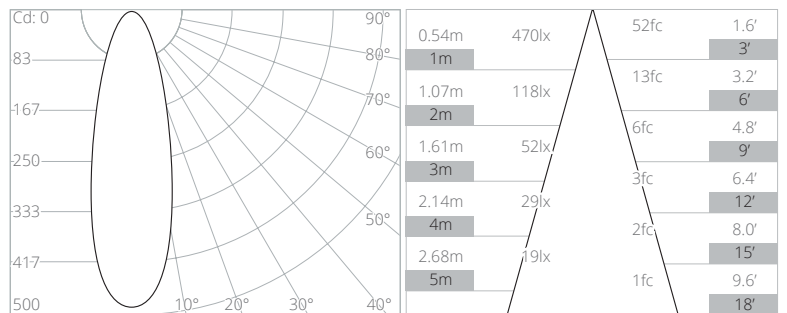
FWHM	30°	Category	IP20
Luminous Flux	150 lm	Material	Machined AL 6063-T6 Machined Brass
Peak Intensity	470 cd	Finishes	Brushed Aluminium Black RAL9005 White RAL9010 Rubbed Bronze*
CCT	2700K 3000K	Weight	124g 0.27lb
CRI Min.	95 TYP	Cutout	ø57mm (2.24")
Drive Current	700 mA	Movement	Pan 360° Tilt 25°
Nom. Voltage	3.2 V	Min Ceiling Void	20mm (0.79") clearance above
Max. Wattage	2.24 W	Accessories	N/A N/A
Dimming	0-10V DALI	TM65 TM66	9.42kgCO2e 2.4
Driver Type	Constant Current Remote	Lifetime	L90B10 100,000hrs 5 year warranty
Class	SELV Class III		

DIMENSIONS



PHOTOMETRY

CCT	Multiplier
2700K	x1.00
3000K	x1.00



Data at 3000K

ORDER CODE

Model	Finish	CCT	Beam Angle
RCT-621	-	-	-
	WH White RAL 9010	2795 2700K 95CRI	12 Narrow
	BK Black RAL 9005	3095 3000K 95CRI	30 Medium
	AL Brushed Aluminium		60 Flood
	RB Rubbed Bronze		

Example Code: RCT-621-WH-309530

*Premium & custom finishes are built to order, subject to an extended lead time & MOQ
See Drivers, Power Supplies and Accessories sections for further order codes

MINIMO 1 TILT TRIMLESS

60° FLOOD BEAM

STATIC WHITE



OVERVIEW

Minimo 1 Tilt Trimless is a Constant Current single source LED recessed spotlight that is machined from aerospace grade aluminium 6063-T6 and comes as standard in white, black and brushed aluminium. It has three site-changeable optics for flexible beam distribution and is adjustable with a 25° tilt without breaking the ceiling line. The flood beam in our 2.24W 180lm module has a peak intensity of 163cd.

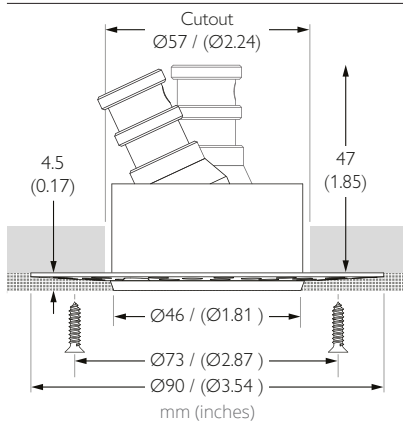
UK PART L	Part L1A / L1B (Dwellings)	EXEMPT
	Part L2A (General)	EXEMPT
	Part L2A (Display)	EXEMPT



PERFORMANCE

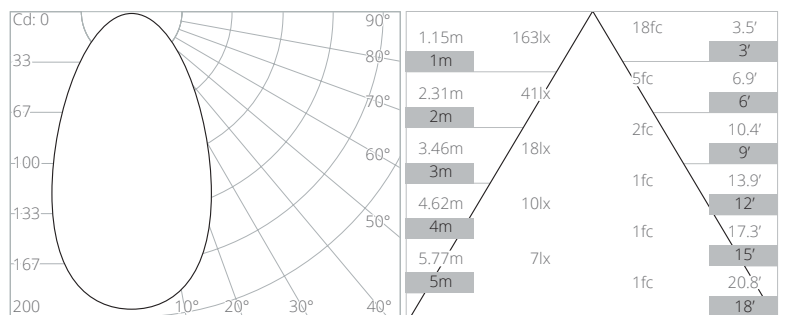
FWHM	60°	Category	IP20
Luminous Flux	163 lm	Material	Machined AL 6063-T6 Machined Brass
Peak Intensity	163 cd	Finishes	Brushed Aluminium Black RAL9005 White RAL9010 Rubbed Bronze*
CCT	2700K 3000K	Weight	124g 0.27lb
CRI Min.	95 TYP	Cutout	ø57mm (2.24")
Drive Current	700 mA	Movement	Pan 360° Tilt 25°
Nom. Voltage	3.2 V	Min Ceiling Void	20mm (0.79") clearance above
Max. Wattage	2.24 W	Accessories	N/A N/A
Dimming	0-10V DALI	TM65 TM66	9.42kgCO2e 2.4
Driver Type	Constant Current Remote	Lifetime	L90B10 100,000hrs 5 year warranty
Class	SELV Class III		

DIMENSIONS



PHOTOMETRY

CCT	Multiplier
2700K	x1.00
3000K	x1.00



Data at 3000K

ORDER CODE

Model	Finish	CCT	Beam Angle
RCT-621	-	-	-
	WH White RAL 9010	2795 2700K 95CRI	12 Narrow
	BK Black RAL 9005	3095 3000K 95CRI	30 Medium
	AL Brushed Aluminium		60 Flood
	RB Rubbed Bronze		

Example Code: RCT-621-WH-309560

*Premium & custom finishes are built to order, subject to an extended lead time & MOQ
See Drivers, Power Supplies and Accessories sections for further order codes

DRIVERS

20W | DIMMING: DALI OR 0-10V

NO. OF LIGHTS PER DRIVER 1 to 8 in series

MIN DIM LEVEL 0.1%

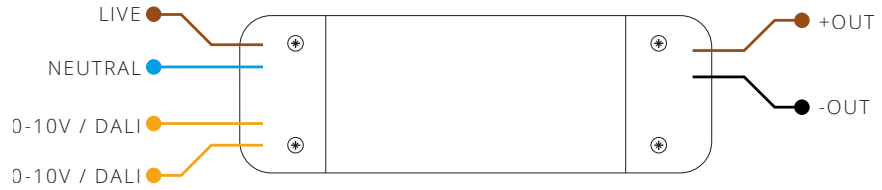
VOLTAGE REGION 230V

FOR NORTH AMERICA No

WATTAGE 20W

SUPPLY TYPE Constant Current

DRIVER LOCATION Remote



DALI CODE PSCC-20-700-D-EL

0-10V CODE PSCC-20-700-A-EL

LENGTH 160mm (6.30") WIDTH 41mm (1.63") HEIGHT 30mm (1.18")



30W | DIMMING: DALI OR 0-10V

NO. OF LIGHTS PER DRIVER 1 to 12 in series

MIN DIM LEVEL 0.1%

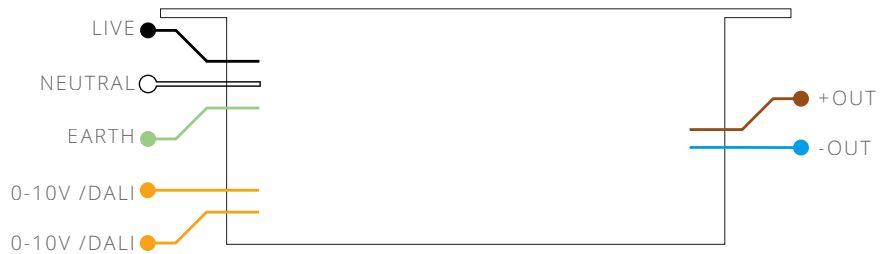
VOLTAGE REGION 120V

FOR NORTH AMERICA Yes

WATTAGE 30W

SUPPLY TYPE Constant Current

DRIVER LOCATION Remote



DALI CODE USCC-30-700-D-EL-ENC

0-10V CODE USCC-30-700-A-EL-ENC

LENGTH 348mm (13.7") WIDTH 65mm (2.6") HEIGHT 47mm (1.9")



12W | DIMMING: PHASE

NO. OF LIGHTS PER DRIVER 2 to 5 in series

MIN DIM LEVEL 1%

VOLTAGE REGION 120V

FOR NORTH AMERICA Yes

WATTAGE 12W

SUPPLY TYPE Constant Current

DRIVER LOCATION Remote



PHASE CODE USCC-12-700-P-HT-ENC

LENGTH 247mm (9.7") WIDTH 65mm (2.6") HEIGHT 47mm (1.9")

