

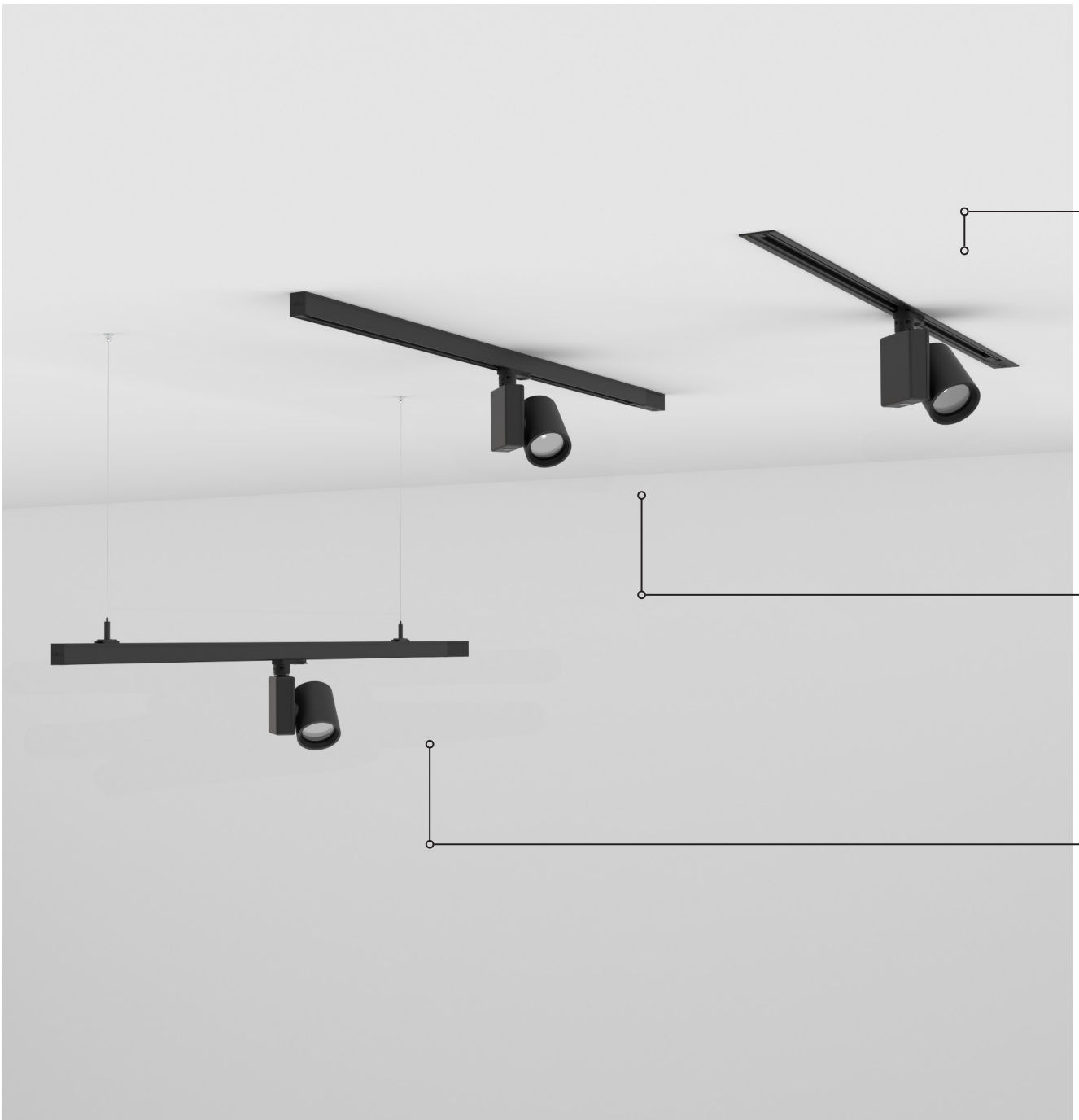
## STUCCHI ONETRACK 230V AC



RECESSED

SURFACE

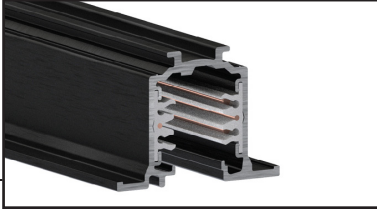
SUSPENDED



DRX1 SHOWN ON STUCCHI ONETRACK SUSPENDED, SURFACE AND RECESSED

# Stucchi ONETRACK Offerings

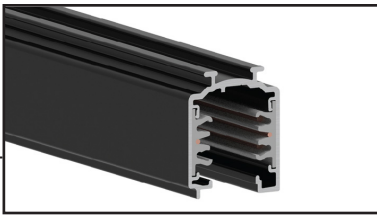
ONETRACK - Recessed



ORDER CODE

	1M	2M	3M
White	OT-230-3-REC-WH-1M	OT-230-3-REC-WH-2M	OT-230-3-REC-WH-3M
Black	OT-230-3-REC-BK-1M	OT-230-3-REC-BK-2M	OT-230-3-REC-BK-3M

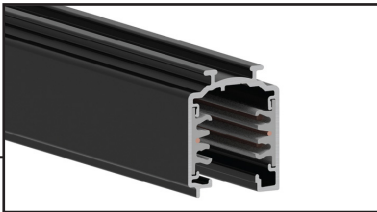
ONETRACK - Surface



ORDER CODE

	1M	2M	3M
White	OT-230-3-SUR-WH-1M	OT-230-3-SUR-WH-2M	OT-230-3-SUR-WH-3M
Black	OT-230-3-SUR-BK-1M	OT-230-3-SUR-BK-2M	OT-230-3-SUR-BK-3M

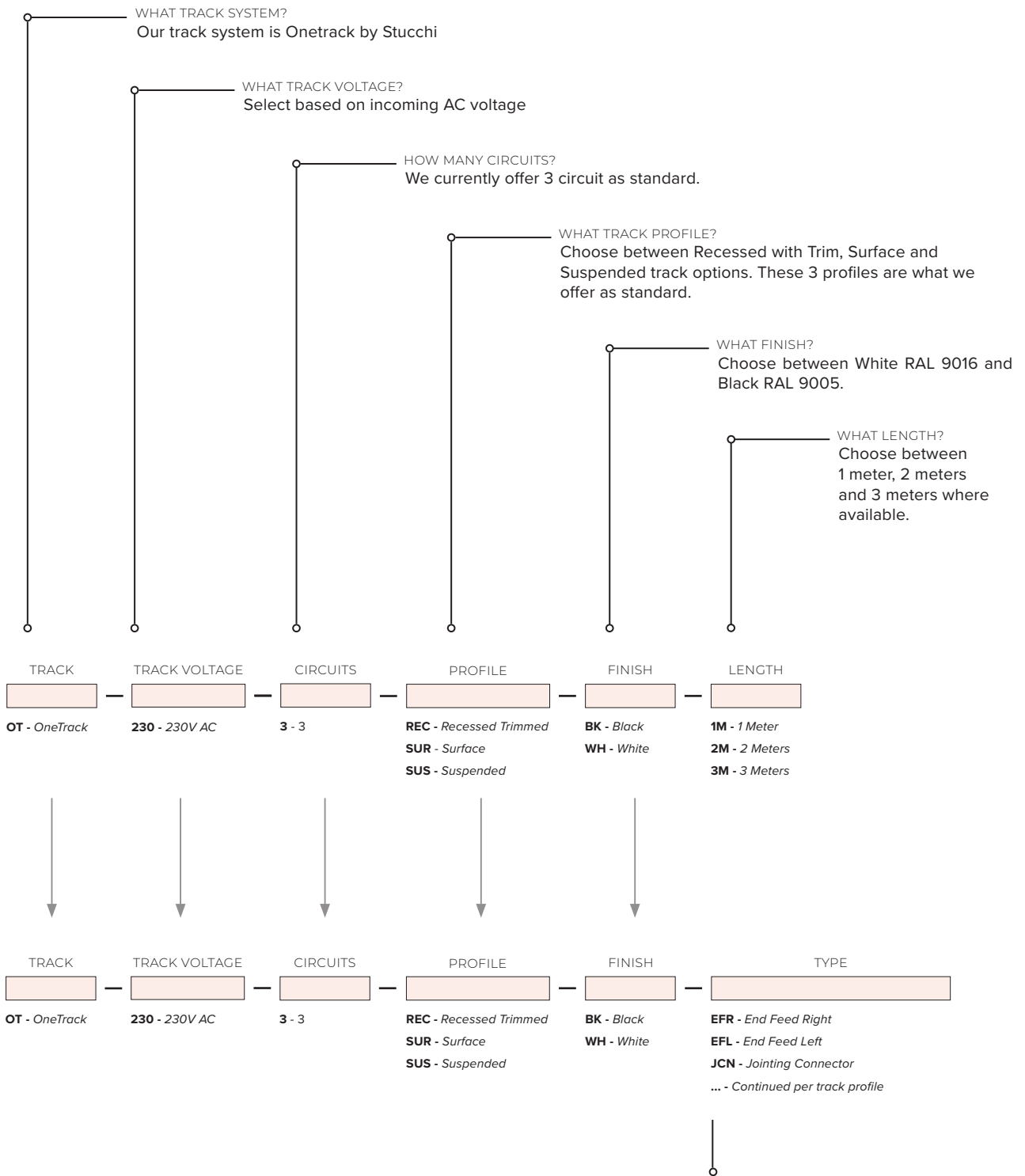
ONETRACK - Suspended



ORDER CODE

	1M	2M	3M
White	OT-230-3-SUS-WH-1M	OT-230-3-SUS-WH-2M	OT-230-3-SUS-WH-3M
Black	OT-230-3-SUS-BK-1M	OT-230-3-SUS-BK-2M	OT-230-3-SUS-BK-3M

# How to specify track



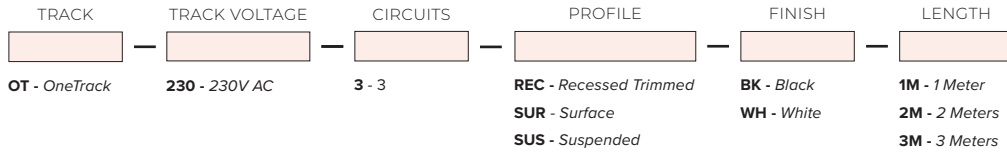
Ensure that your selection of Track, Voltage, Circuits, Profile and Finish matches between the Track and Accessories.

**WHAT TRACK ACCESSORY/CONNECTOR?**

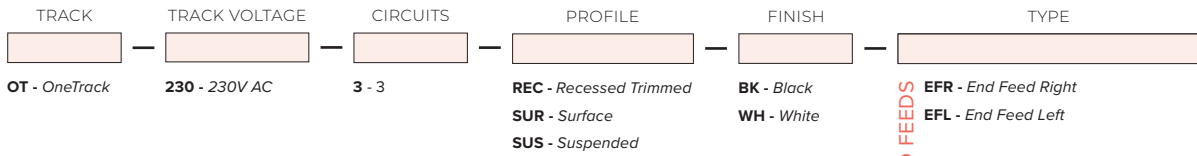
When choosing track accessories and connectors pay attention to polarity requirements. We offer as standard a slimmed down Onetrack range of accessories to cover the essentials. If there is an item you require not seen here please contact us.

# Code Builder

## TRACK

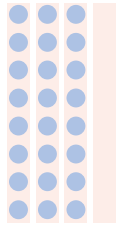


## ACCESSORIES



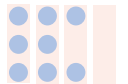
## COUPLERS

- MJ - Middle Joint
- LC1 - L Coupler Inner
- LCO - L Coupler Outer
- TCA - T Coupler Type A
- TCB - T Coupler Type B
- TCC - T Coupler Type C
- TCD - T Coupler Type D
- XCP - X Coupler



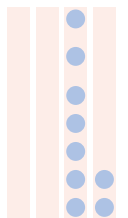
## OTHER

- ECS - End Cap
- MPT - Monopoint
- CUT - Cutting Tool for Track Conductors



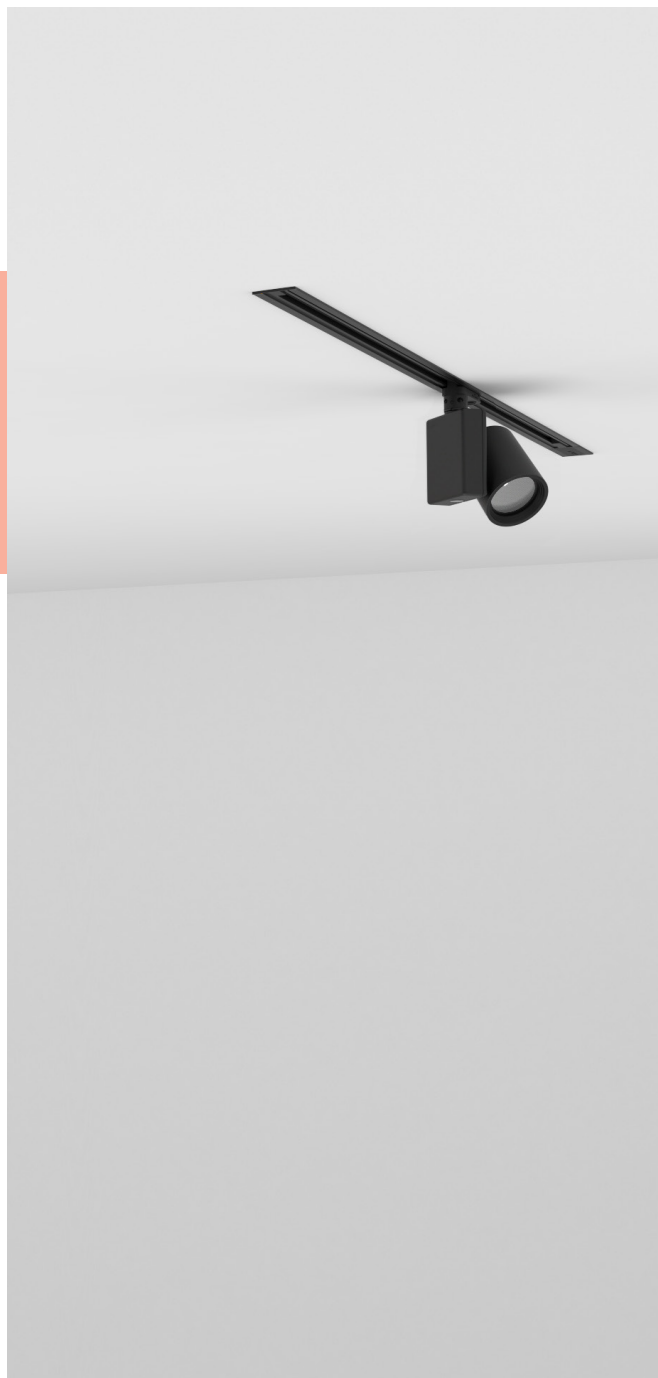
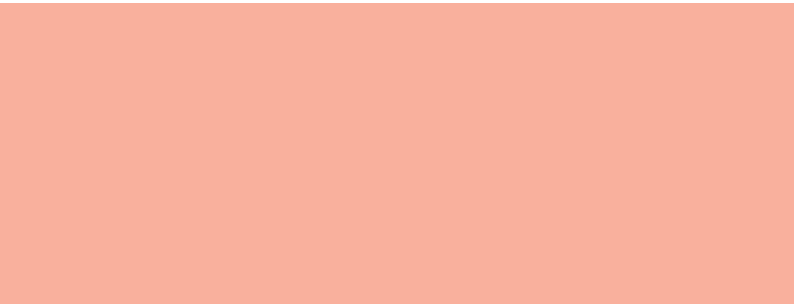
## SUSPENSION OPTIONS

- BM6 - Short Bracket with M6 Gripper for Suspensions
- P13 - Short M13 Threaded Pendant Bracket for Suspensions
- ACS - Aircraft Cable Suspension Set
- M13- M13 Rigid Suspension Set
- SS3 - Suspension Set 3
- C59 - Cable Suspension Kit 8 1.5
- C118 - Cable Suspension Kit 8 3



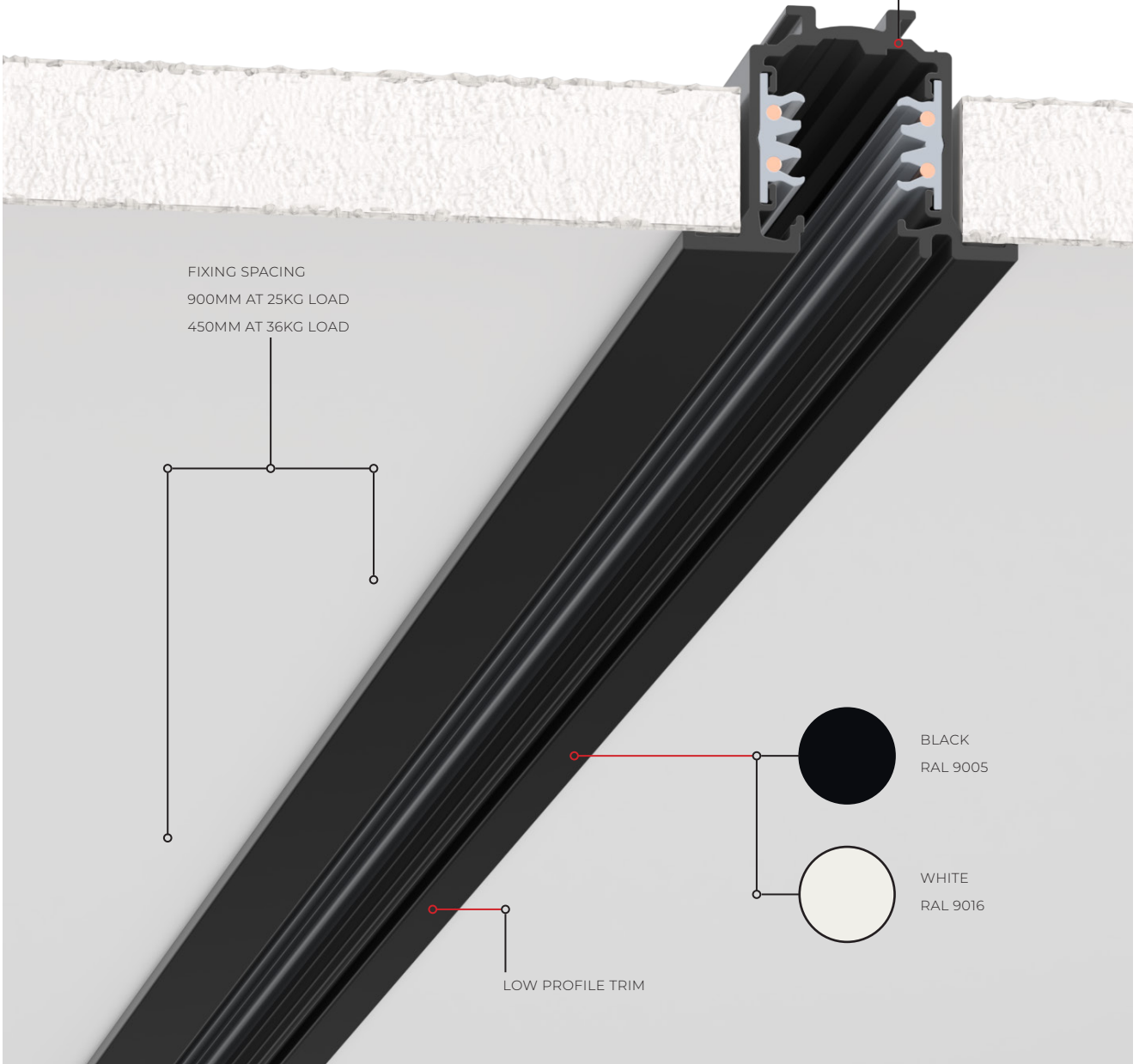
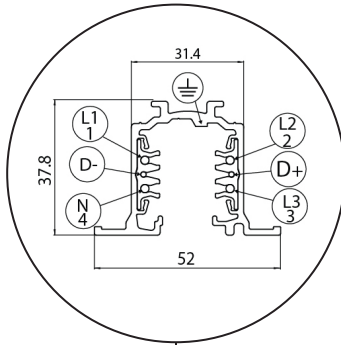
### CODE EXAMPLE

Track: OT-230-SUR-3-BK-1M  
Accessories: OT-230-SUR-3-BK-EFL



RECESSED

230V 3 CIRCUIT



FIXING SPACING  
900MM AT 25KG LOAD  
450MM AT 36KG LOAD

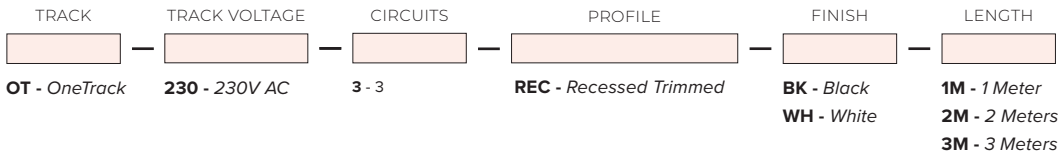


- BLACK  
RAL 9005
- WHITE  
RAL 9016

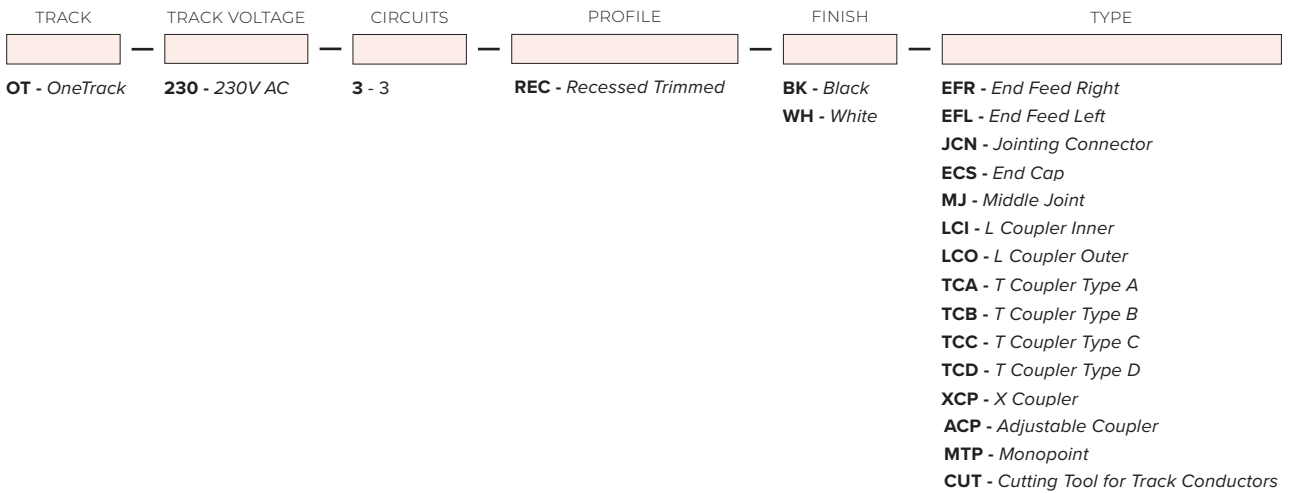
LOW PROFILE TRIM

# Recessed Code Builder

## TRACK



## ACCESSORIES



### CODE EXAMPLE

Track: OT-230-REC-3-BK-1M  
 Accessories: OT-230-REC-3-BK-EFL



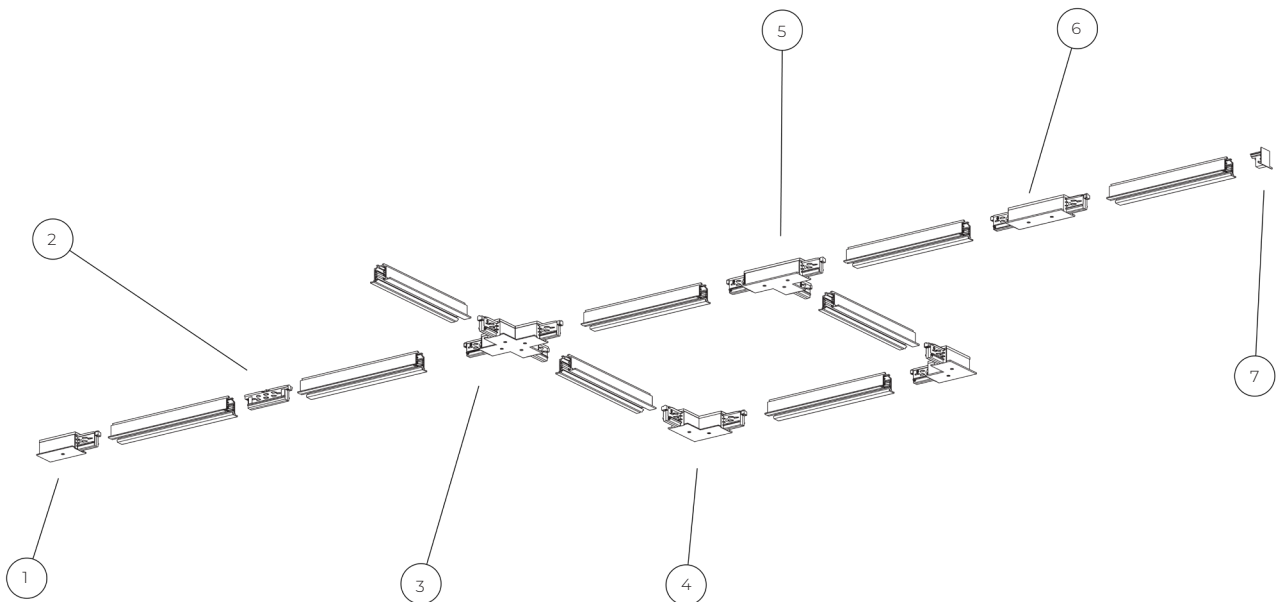
## ONETRACK Recessed 3 Circuit Track 230V AC

Stucchi OneTrack Recessed track is available in lengths of 1 meter, 2 meters or 3 meters. It is a flexible 3 phase mixed system with two additional conductors for managing general data signals like DALI or 0 - 10 V (1 - 10V).

It is available in black and white finishes. The external body is made up of extruded aluminium, insulated in PVC with copper conductors.

It supports:

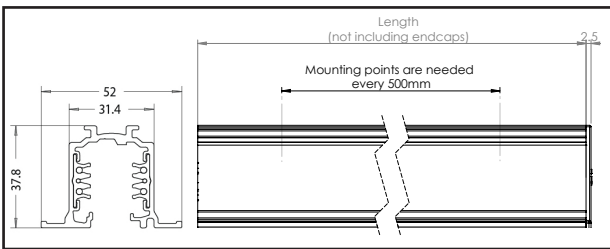
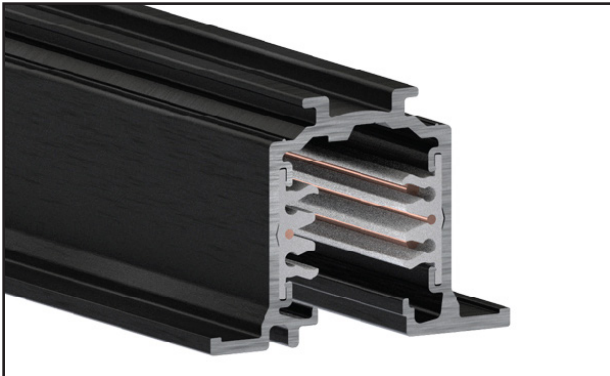
L1/L2/L3/N/ground 16A/440V + D+/D- 2x1A/50V FELV AC (DALI)



KEY:

1. End Feed with recessed cover
2. Joining Connector - internal connector for track lengths
3. X Feed with recessed cover
4. L Feed with recessed cover
5. T Feed with recessed cover
6. Middle Joint with recessed cover - connects track lengths
7. Recessed End Cap

# ONETRACK Recessed 230V 3 Circuit



**PHYSICAL**

CONSTRUCTION MATERIALS:	Extruded aluminium profile; Insulated extruded PVC body Copper conductors
NO. CIRCUITS:	2x independent switchable circuits
DATA BUS:	Yes
WEIGHT:	1.1 kg (per meter)
CUTTING:	Cutting to length on site possible

**ORDER CODE**

	1M	2M	3M
White	OT-230-3-REC-WH-1M	OT-230-3-REC-WH-2M	OT-230-3-REC-WH-3M
Black	OT-230-3-REC-BK-1M	OT-230-3-REC-BK-2M	OT-230-3-REC-BK-3M

# Recessed Track Hardware Options

END FEEDS

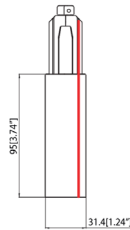
## END FEED FOR 3 CIRCUIT APPLICATION - RIGHT

To be used with recessed cover, codes below for assembled unit



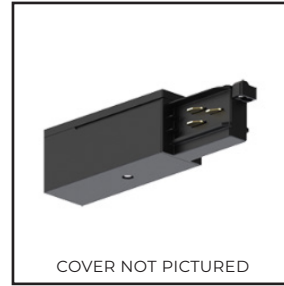
BLACK:  
OT-230-3-REC-BK-EFR

WHITE:  
OT-230-3-REC-WH-EFR



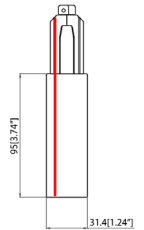
## END FEED FOR 3 CIRCUIT APPLICATION - LEFT

To be used with recessed cover, codes below for assembled unit



BLACK:  
OT-230-3-REC-BK-EFL

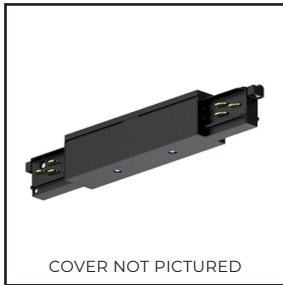
WHITE:  
OT-230-3-REC-WH-EFL



COUPLERS

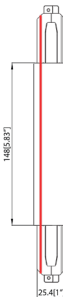
## MIDDLE JOINT FOR 3 CIRCUIT APPLICATION

To be used with recessed cover, codes below for assembled unit



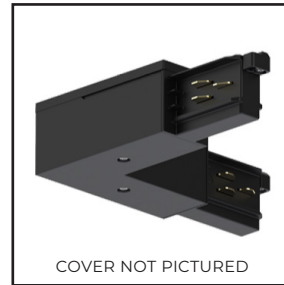
BLACK:  
OT-230-3-REC-BK-MJ

WHITE:  
OT-230-3-REC-WH-MJ



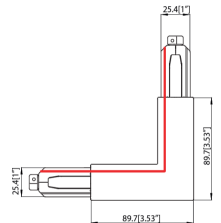
## L FEED FOR 3 CIRCUIT APPLICATION - INNER

To be used with recessed cover, codes below for assembled unit



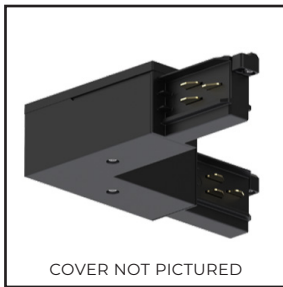
BLACK:  
OT-230-3-REC-BK-LCI

WHITE:  
OT-230-3-REC-WH-LCI



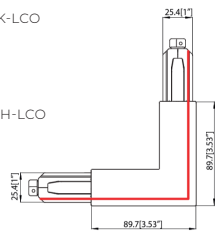
## L FEED FOR 3 CIRCUIT APPLICATION - OUTER

To be used with recessed cover, codes below for assembled unit



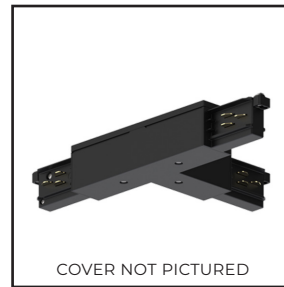
BLACK:  
OT-230-3-REC-BK-LCO

WHITE:  
OT-230-3-REC-WH-LCO



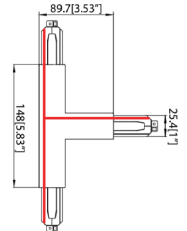
## T FEED FOR 3 CIRCUIT APPLICATION - TYPE A

To be used with recessed cover, codes below for assembled unit



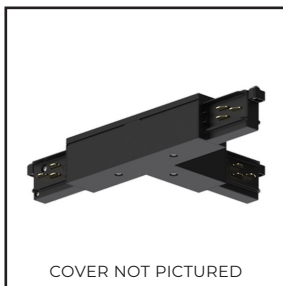
BLACK:  
OT-230-3-REC-BK-TCA

WHITE:  
OT-230-3-REC-WH-TCA



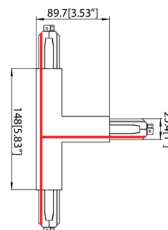
## T FEED FOR 3 CIRCUIT APPLICATION - TYPE B

To be used with recessed cover, codes below for assembled unit



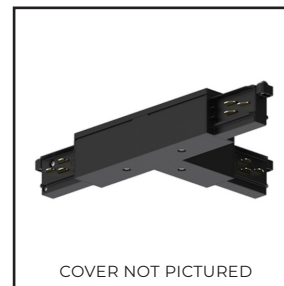
BLACK:  
OT-230-3-REC-BK-TCB

WHITE:  
OT-230-3-REC-WH-TCB



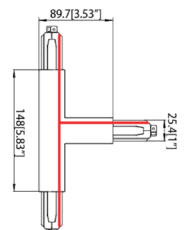
## T FEED FOR 3 CIRCUIT APPLICATION - TYPE C

To be used with recessed cover, codes below for assembled unit



BLACK:  
OT-230-3-REC-BK-TCC

WHITE:  
OT-230-3-REC-WH-TCC



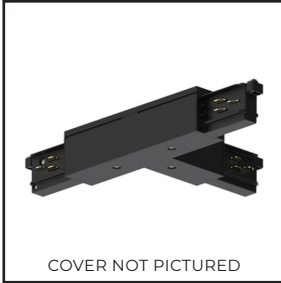
RECESSED

# Recessed Track Hardware Options

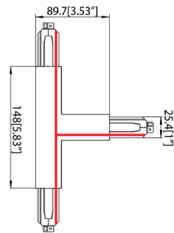
COUPLERS

## T FEED FOR 3 CIRCUIT APPLICATION - TYPE D

To be used with recessed cover, codes below for assembled unit



BLACK:  
OT-230-3-REC-BK-TCD  
  
WHITE:  
OT-230-3-REC-WH-TCD

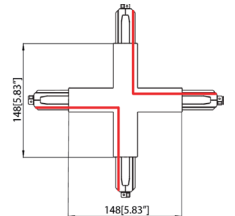


## X FEED FOR 3 CIRCUIT APPLICATION

To be used with recessed cover, codes below for assembled unit

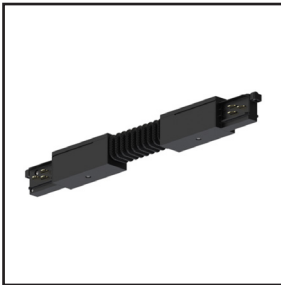


BLACK:  
OT-230-3-REC-BK-XCP  
  
WHITE:  
OT-230-3-REC-WH-XCP



## ADJUSTABLE CORNER FOR 3 CIRCUIT APPLICATION

Compatible with all tracks



BLACK:  
OT-230-3-REC-BK-ACP  
  
WHITE:  
OT-230-3-REC-WH-ACP

## JOINING CONNECTOR

Compatible with all tracks



BLACK:  
OT-230-3-REC-BK-JCN  
  
WHITE:  
OT-230-3-REC-WH-JCN

ADDITIONAL ACCESSORIES

## END CAP FOR RECESSED TRACK

Compatible with recessed track



BLACK:  
OT-230-3-REC-BK-ECS  
  
WHITE:  
OT-230-3-REC-WH-ECS

## RECESSED COVER FOR END FEED

Compatible with recessed track



IMAGE FOR REFERENCE ONLY - REFER TO ASSEMBLED CODE ON PRIOR PAGE

## RECESSED COVER FOR MIDDLE FEED

Compatible with recessed track

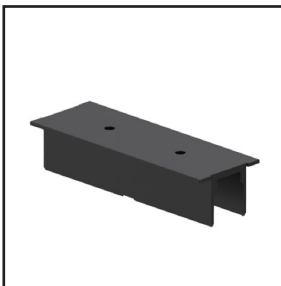


IMAGE FOR REFERENCE ONLY - REFER TO ASSEMBLED CODE ON PRIOR PAGE

## RECESSED COVER FOR L - FEED

Compatible with recessed track



IMAGE FOR REFERENCE ONLY - REFER TO ASSEMBLED CODE ON PRIOR PAGE

RECESSED

## Recessed Track Hardware Options

ADDITIONAL ACCESSORIES

RECESSED

RECESSED COVER FOR T FEED  
Compatible with recessed track

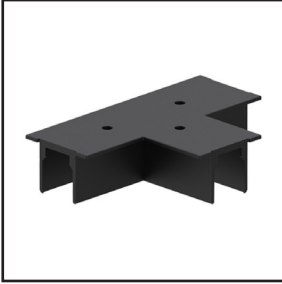


IMAGE FOR REFERENCE ONLY -  
REFER TO ASSEMBLED CODE ON  
PRIOR PAGE

RECESSED COVER FOR X- FEED  
Compatible with recessed track

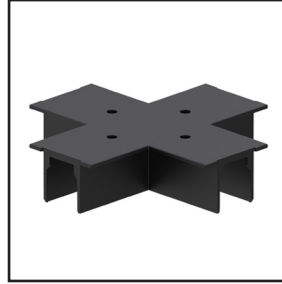


IMAGE FOR REFERENCE ONLY -  
REFER TO ASSEMBLED CODE ON  
PRIOR PAGE

MONOPOINT RECESSED  
Codes below for assembled unit



BLACK:  
OT-230-3-REC-BK-MPT

WHITE:  
OT-230-3-REC-WH-MPT

CUTTING TOOL FOR TRACK CONDUCTORS  
Compatible with all track options



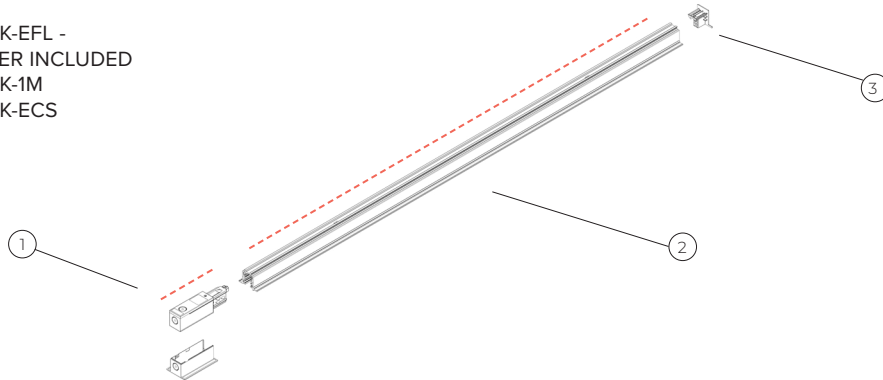
BLACK:  
OT-230-3-REC-BK-CUT

WHITE:  
OT-230-3-REC-WH-CUT

## Example layout diagrams

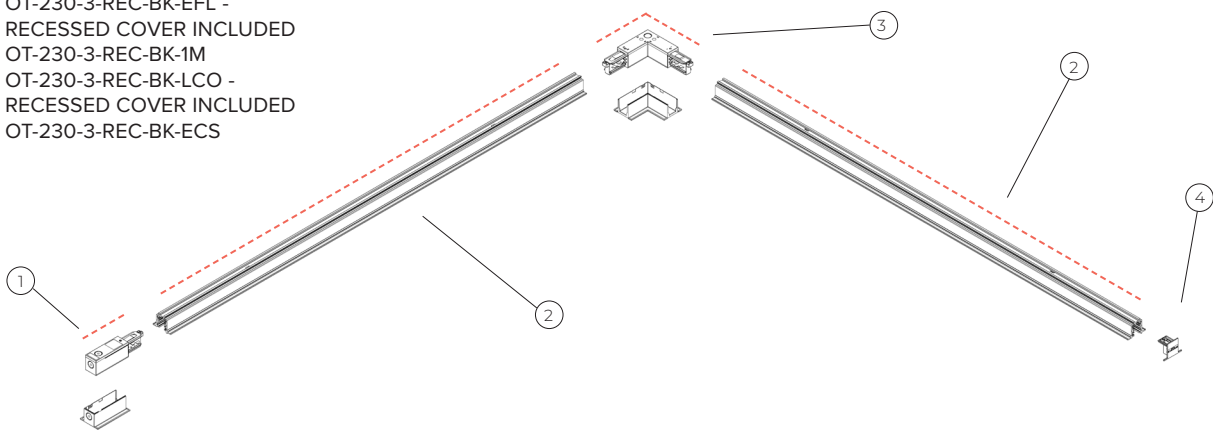
KEY:

1. OT-230-3-REC-BK-EFL -  
RECESSED COVER INCLUDED
2. OT-230-3-REC-BK-1M
3. OT-230-3-REC-BK-ECS



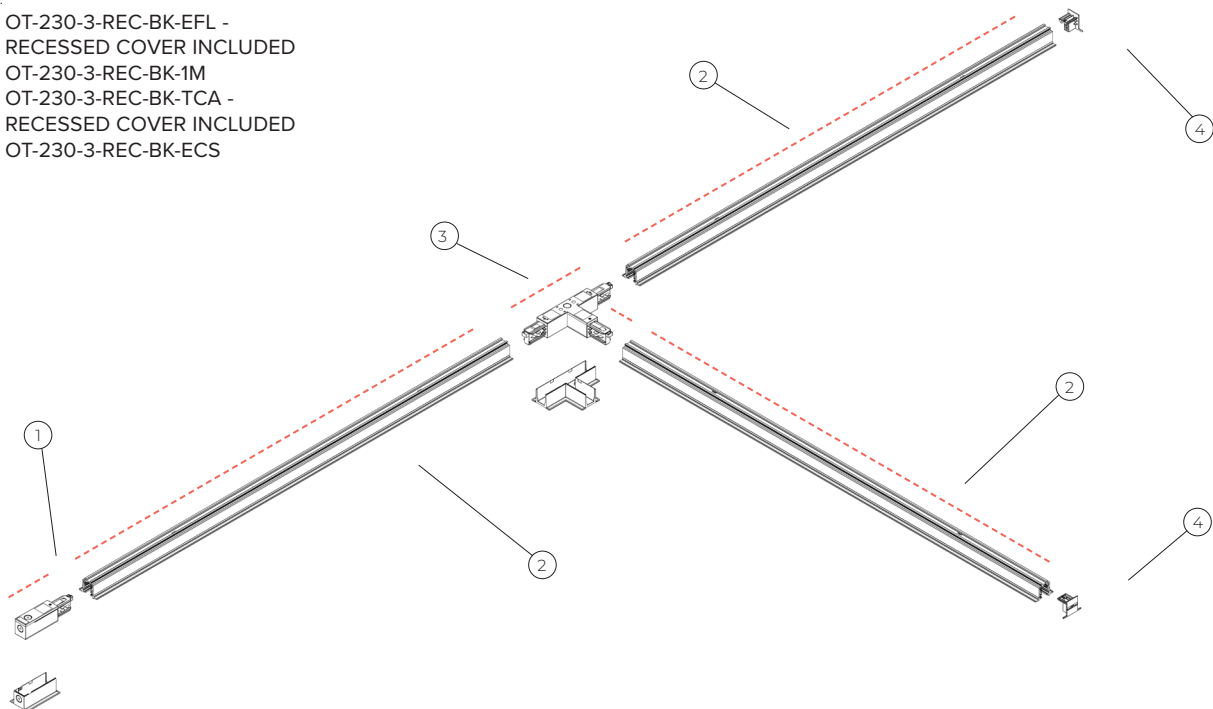
KEY:

1. OT-230-3-REC-BK-EFL -  
RECESSED COVER INCLUDED
2. OT-230-3-REC-BK-1M
3. OT-230-3-REC-BK-LCO -  
RECESSED COVER INCLUDED
4. OT-230-3-REC-BK-ECS



KEY:

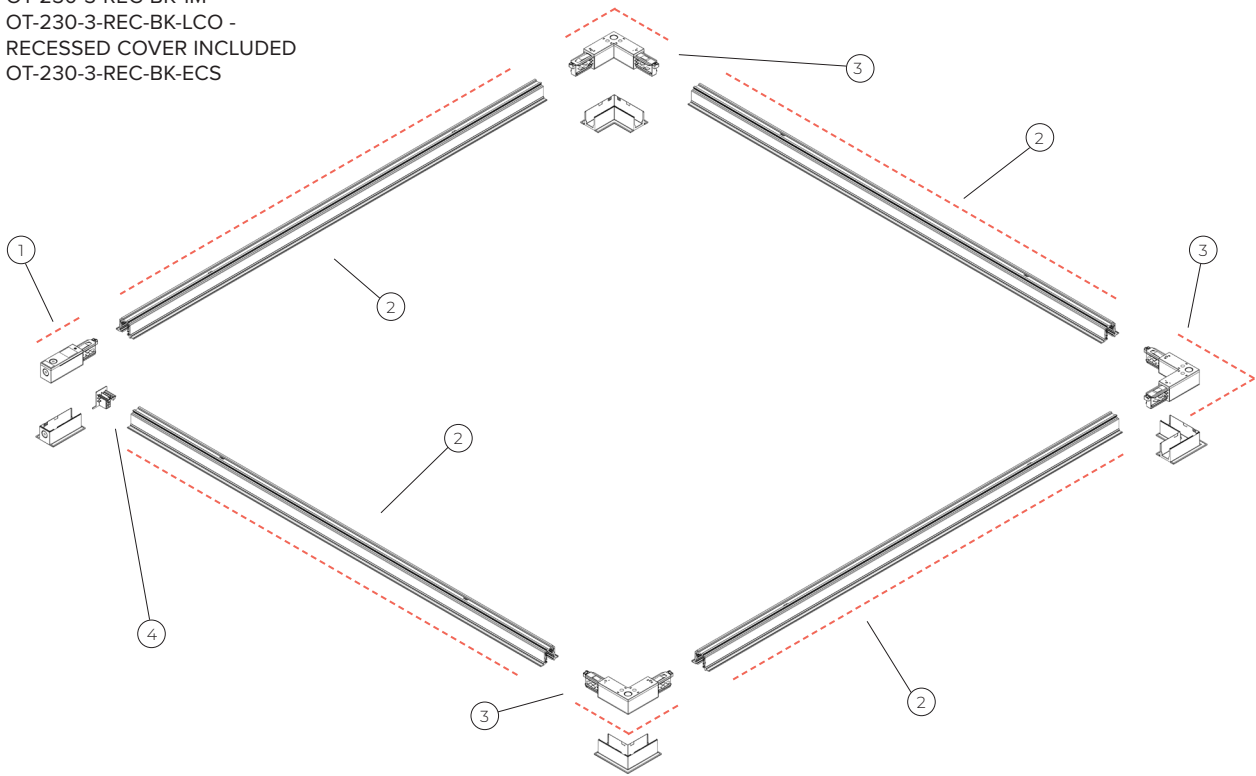
1. OT-230-3-REC-BK-EFL -  
RECESSED COVER INCLUDED
2. OT-230-3-REC-BK-1M
3. OT-230-3-REC-BK-TCA -  
RECESSED COVER INCLUDED
4. OT-230-3-REC-BK-ECS



## Example layout diagrams

KEY:

1. OT-230-3-REC-BK-EFL -  
RECESSED COVER INCLUDED
2. OT-230-3-REC-BK-1M
3. OT-230-3-REC-BK-LCO -  
RECESSED COVER INCLUDED
4. OT-230-3-REC-BK-ECS



DOTTED LINE DENOTES POLARITY KEYED SIDE OF TRACK

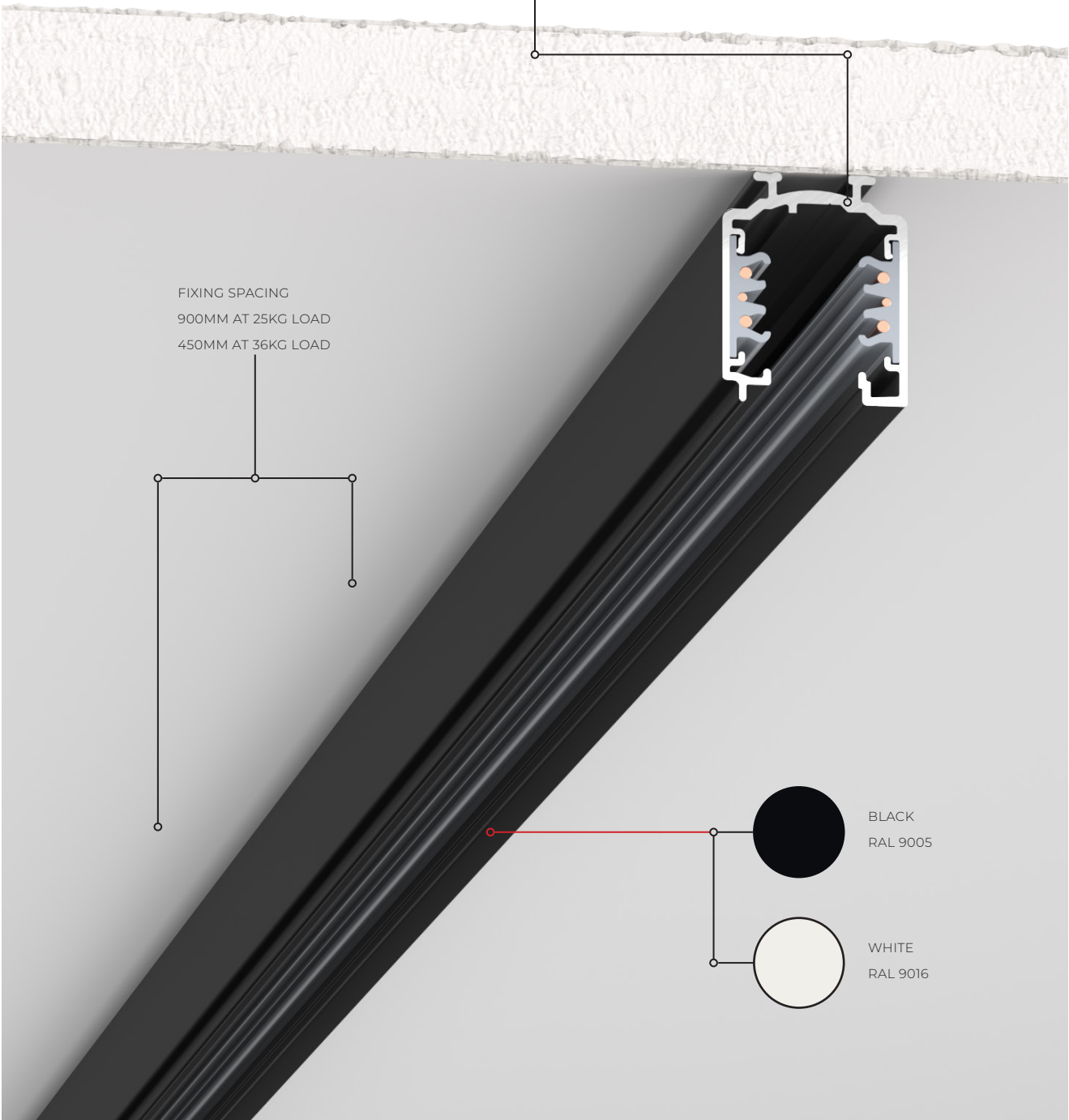
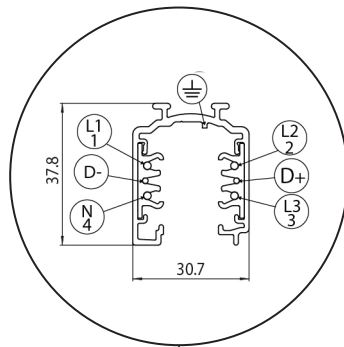
PLEASE ENSURE POLARITY REMAINS CONSISTENT THROUGHOUT TRACK SYSTEM



SURFACE



230V 3 CIRCUIT

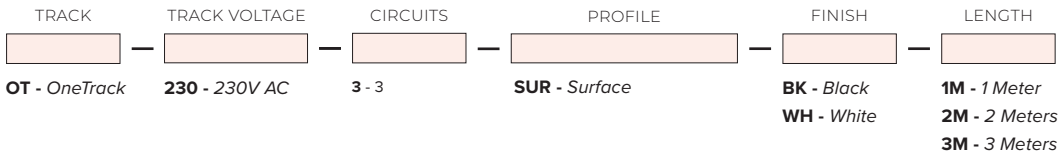


FIXING SPACING  
900MM AT 25KG LOAD  
450MM AT 36KG LOAD

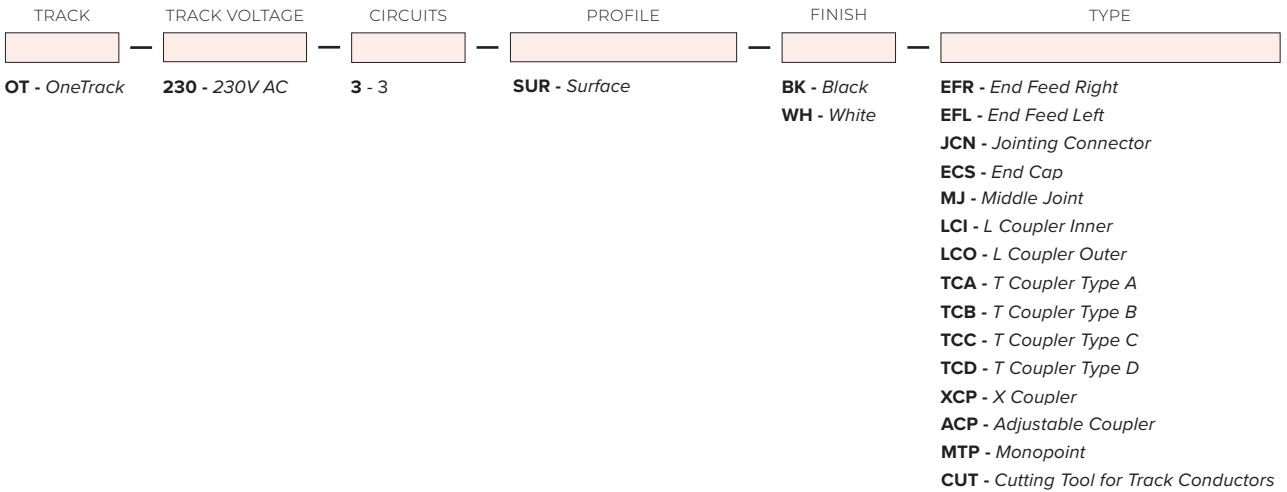
- BLACK  
RAL 9005
- WHITE  
RAL 9016

# Surface Code Builder

## TRACK



## ACCESSORIES



### CODE EXAMPLE

Track: OT-230-SUR-3-BK-1M  
 Accessories: OT-230-SUR-3-BK-EFL

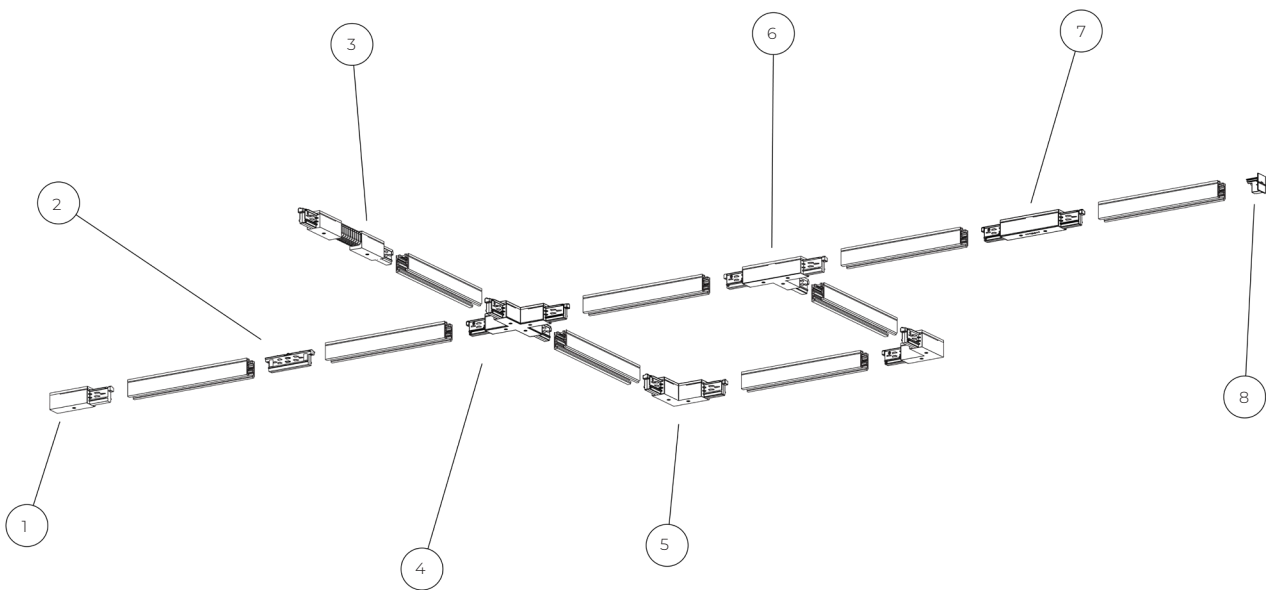
## ONETRACK Surface 3 Circuit Track 230V AC

Stucchi OneTrack Surface track is available in lengths of 1 meter, 2 meters or 3 meters. It is a flexible 3 phase mixed system with two additional conductors for managing general data signals like DALI or 0 to 10V (1 – 10V).

It is available in black and white finishes. The external body is made up of extruded aluminium, insulated in PVC with copper conductors.

It supports:

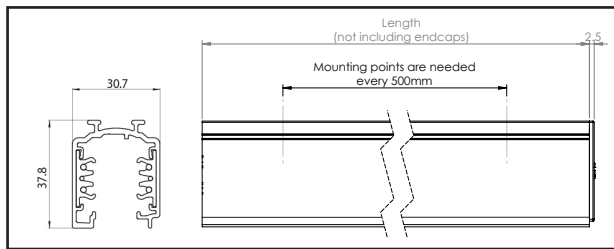
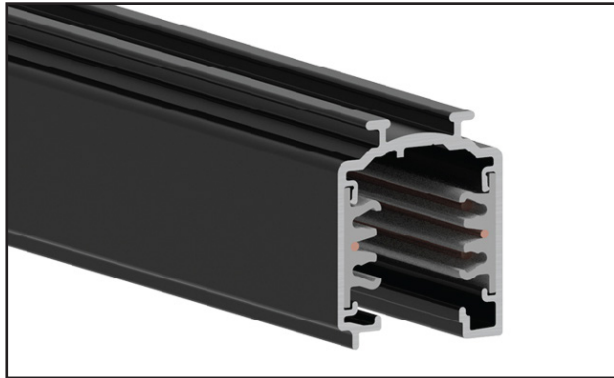
L1/L2/L3/N/ground 16A/440V + D+/D- 2x1A/50V FELV AC (DALI)



KEY:

- 1. End Feed
- 2. Joining Connector - internal connector for track lengths
- 3. Adjustable Corner
- 4. X Feed
- 5. L Feed
- 6. T Feed
- 7. Middle Joint - connects track lengths
- 8. End Cap

# ONETRACK Surface 230V 3 Circuit



**PHYSICAL**

CONSTRUCTION MATERIALS:	Extruded aluminium profile; Insulated extruded PVC body Copper conductors
NO. CIRCUITS:	2x independent switchable circuits
DATA BUS:	Yes
WEIGHT:	1 kg (per meter)
CUTTING:	Cutting to length on site possible

**ORDER CODE**

	1M	2M	3M
White	OT-230-3-SUR-WH-1M	OT-230-3-SUR-WH-2M	OT-230-3-SUR-WH-3M
Black	OT-230-3-SUR-BK-1M	OT-230-3-SUR-BK-2M	OT-230-3-SUR-BK-3M

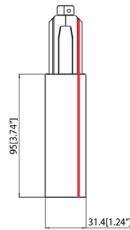
# Surface Track Hardware Options

END FEEDS

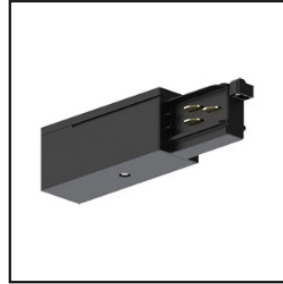
END FEED FOR 3 CIRCUIT APPLICATION - RIGHT  
Compatible with all tracks



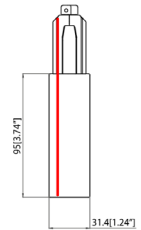
BLACK:  
OT-230-3-SUR-BK-EFR  
  
WHITE:  
OT-230-3-SUR-WH-EFR



END FEED FOR 3 CIRCUIT APPLICATION - LEFT  
Compatible with all tracks

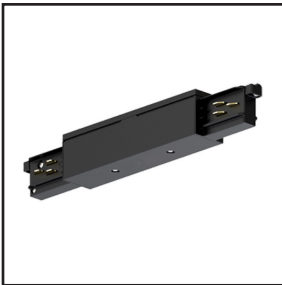


BLACK:  
OT-230-3-SUR-BK-EFL  
  
WHITE:  
OT-230-3-SUR-WH-EFL

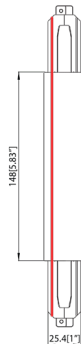


COUPLERS

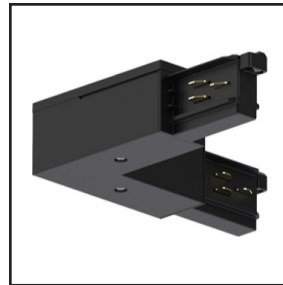
MIDDLE JOINT FOR 3 CIRCUIT APPLICATION  
Compatible with all tracks



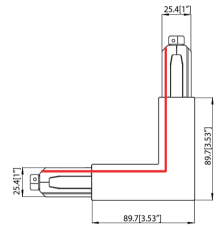
BLACK:  
OT-230-3-SUR-BK-MJ  
  
WHITE:  
OT-230-3-SUR-WH-MJ



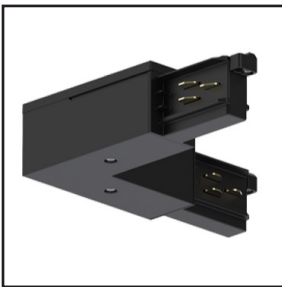
L FEED FOR 3 CIRCUIT APPLICATION - INNER  
Compatible with all tracks



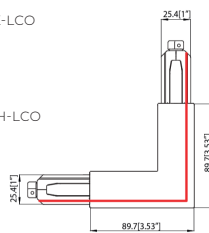
L BLACK:  
OT-230-3-SUR-BK-LCI  
  
WHITE:  
OT-230-3-SUR-WH-LCI



L FEED FOR 3 CIRCUIT APPLICATION - OUTER  
Compatible with all tracks



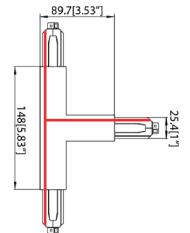
BLACK:  
OT-230-3-SUR-BK-LCO  
  
WHITE:  
OT-230-3-SUR-WH-LCO



T FEED FOR 3 CIRCUIT APPLICATION - TYPE A  
Compatible with all tracks



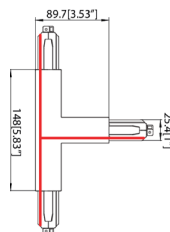
BLACK:  
OT-230-3-SUR-BK-TCA  
  
WHITE:  
OT-230-3-SUR-WH-TCA



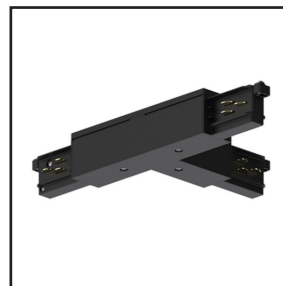
T FEED FOR 3 CIRCUIT APPLICATION - TYPE B  
Compatible with all tracks



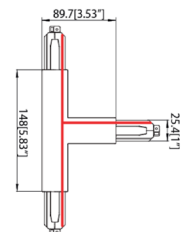
BLACK:  
OT-230-3-SUR-BK-TCB  
  
WHITE:  
OT-230-3-SUR-WH-TCB



T FEED FOR 3 CIRCUIT APPLICATION - TYPE C  
Compatible with all tracks



BLACK:  
OT-230-3-SUR-BK-TCC  
  
WHITE:  
OT-230-3-SUR-WH-TCC

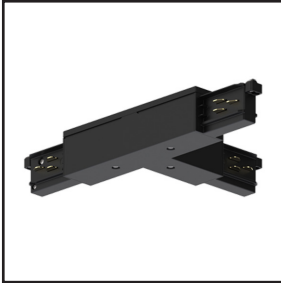


SURFACE

# Surface Track Hardware Options

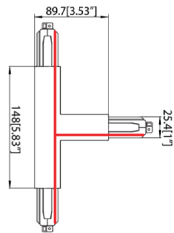
COUPLERS

T FEED FOR 3 CIRCUIT APPLICATION - TYPE D  
Compatible with all tracks



BLACK:  
OT-230-3-SUR-BK-TCD

WHITE:  
OT-230-3-SUR-WH-TCD

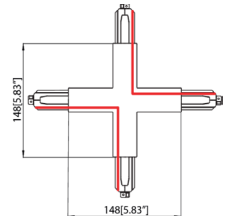


X FEED FOR 3 CIRCUIT APPLICATION  
Compatible with all tracks



BLACK:  
OT-230-3-SUR-BK-XCP

WHITE:  
OT-230-3-SUR-WH-XCP



ADJUSTABLE CORNER FOR 3 CIRCUIT APPLICATION  
Compatible with all tracks



BLACK:  
OT-230-3-SUR-BK-ACP

WHITE:  
OT-230-3-SUR-WH-ACP

JOINING CONNECTOR  
Compatible with all tracks



BLACK:  
OT-230-3-SUR-BK-JCN

WHITE:  
OT-230-3-SUR-WH-JCN

ADDITIONAL ACCESSORIES

END CAP  
Compatible with all tracks



BLACK:  
OT-230-3-SUR-BK-ECS

WHITE:  
OT-230-3-SUR-WH-ECS

MONOPOINT



BLACK:  
OT-230-3-SUR-BK-MPT

WHITE:  
OT-230-3-SUR-WH-MPT

CUTTING TOOL FOR TRACK CONDUCTORS  
Compatible with all track options



BLACK:  
OT-230-3-SUR-BK-CUT

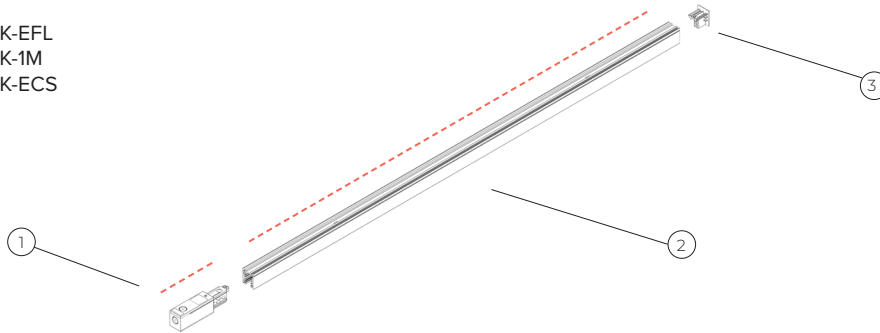
WHITE:  
OT-230-3-SUR-WH-CUT



## Example layout diagrams

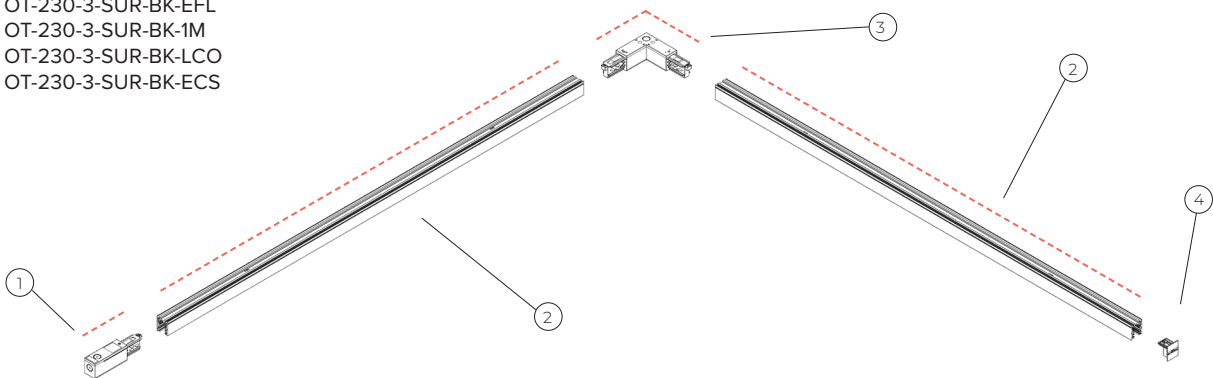
KEY:

1. OT-230-3-SUR-BK-EFL
2. OT-230-3-SUR-BK-1M
3. OT-230-3-SUR-BK-ECS



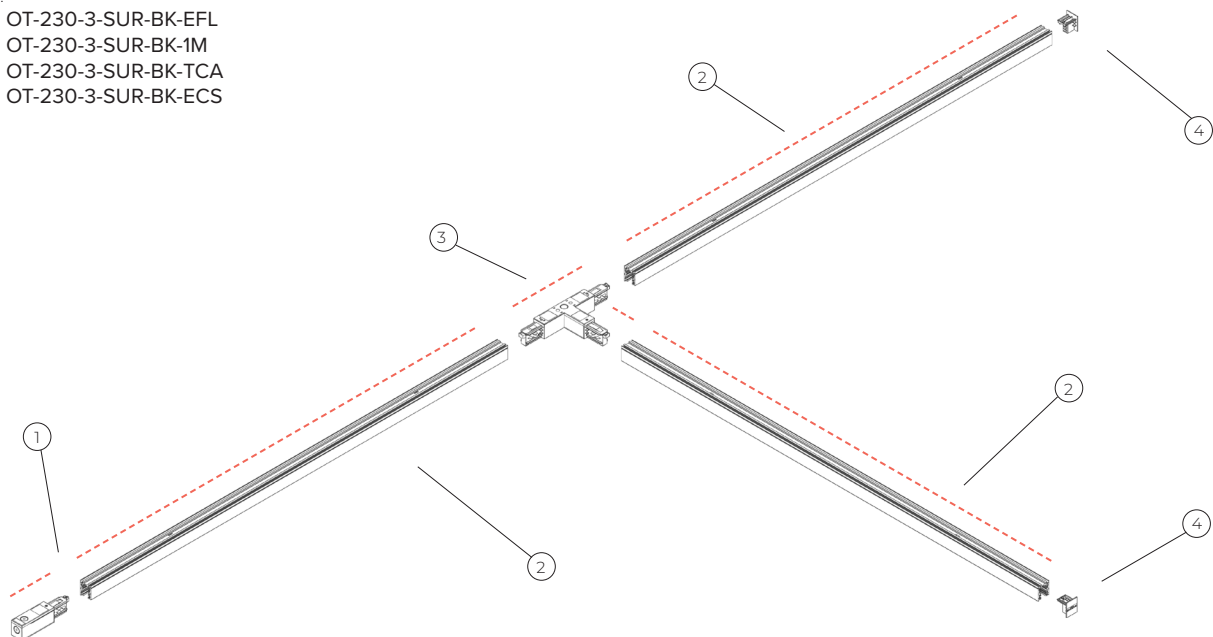
KEY:

1. OT-230-3-SUR-BK-EFL
2. OT-230-3-SUR-BK-1M
3. OT-230-3-SUR-BK-LCO
4. OT-230-3-SUR-BK-ECS



KEY:

1. OT-230-3-SUR-BK-EFL
2. OT-230-3-SUR-BK-1M
3. OT-230-3-SUR-BK-TCA
4. OT-230-3-SUR-BK-ECS

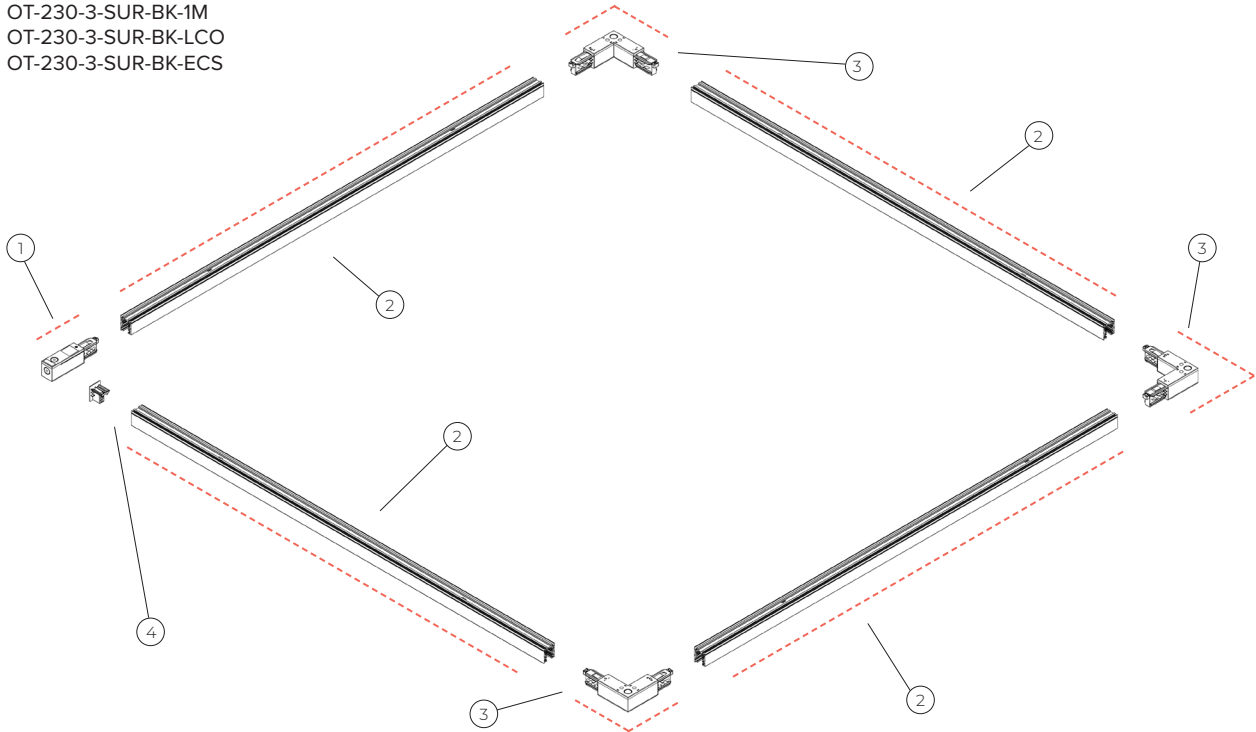




## Example layout diagrams

KEY:

1. OT-230-3-SUR-BK-EFL
2. OT-230-3-SUR-BK-1M
3. OT-230-3-SUR-BK-LCO
4. OT-230-3-SUR-BK-ECS



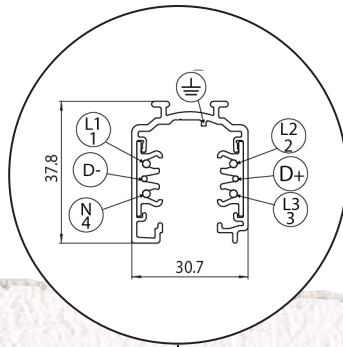
DOTTED LINE DENOTES POLARITY KEYED SIDE OF TRACK

PLEASE ENSURE POLARITY REMAINS CONSISTENT THROUGHOUT TRACK SYSTEM

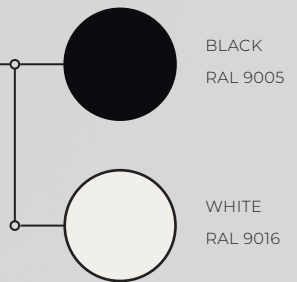


SUSPENDED

230V 3 CIRCUIT

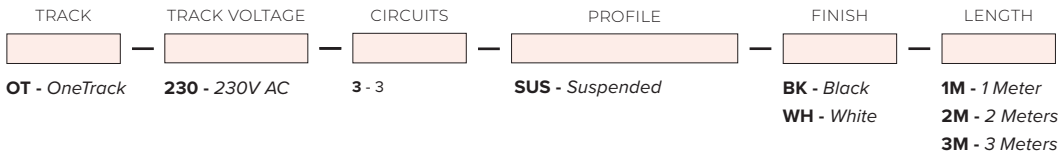


FIXING SPACING  
900MM AT 25KG LOAD  
450MM AT 36KG LOAD

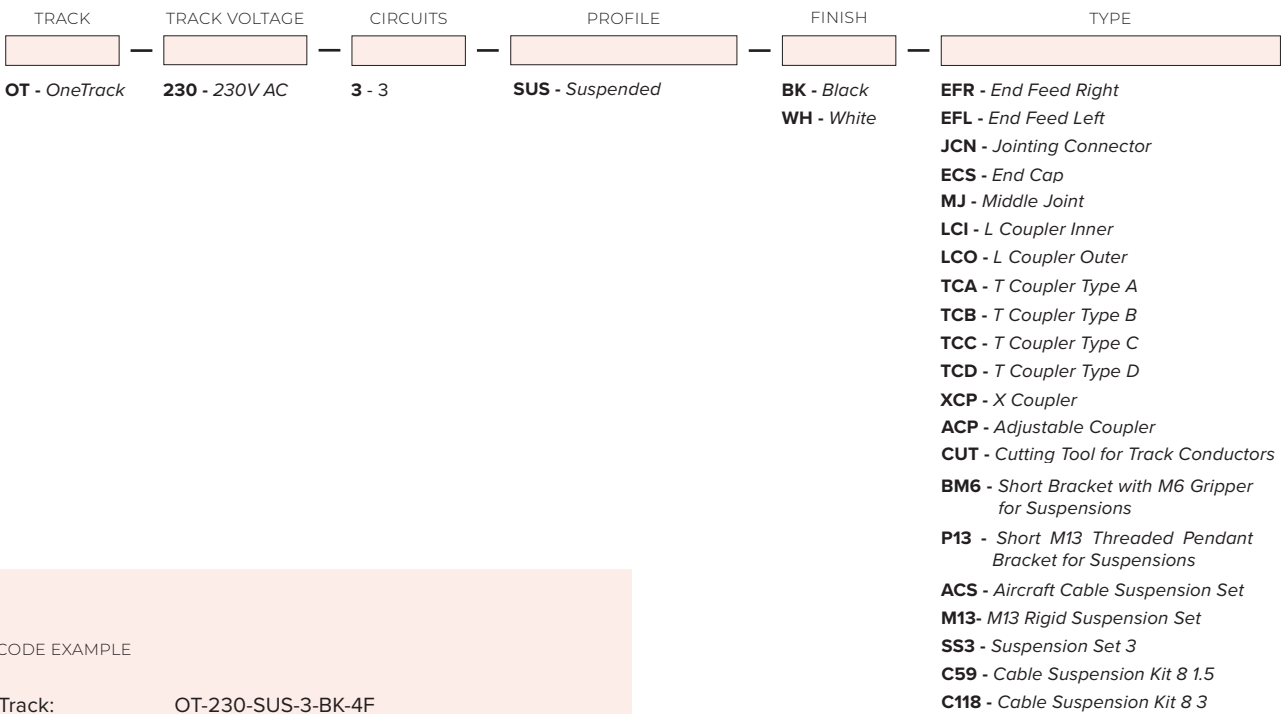


# Suspended Code Builder

## TRACK



## ACCESSORIES



PARTIALLY SILVER FINISH

### CODE EXAMPLE

Track: OT-230-SUS-3-BK-4F  
 Accessories: OT-230-SUS-3-BK-EFL

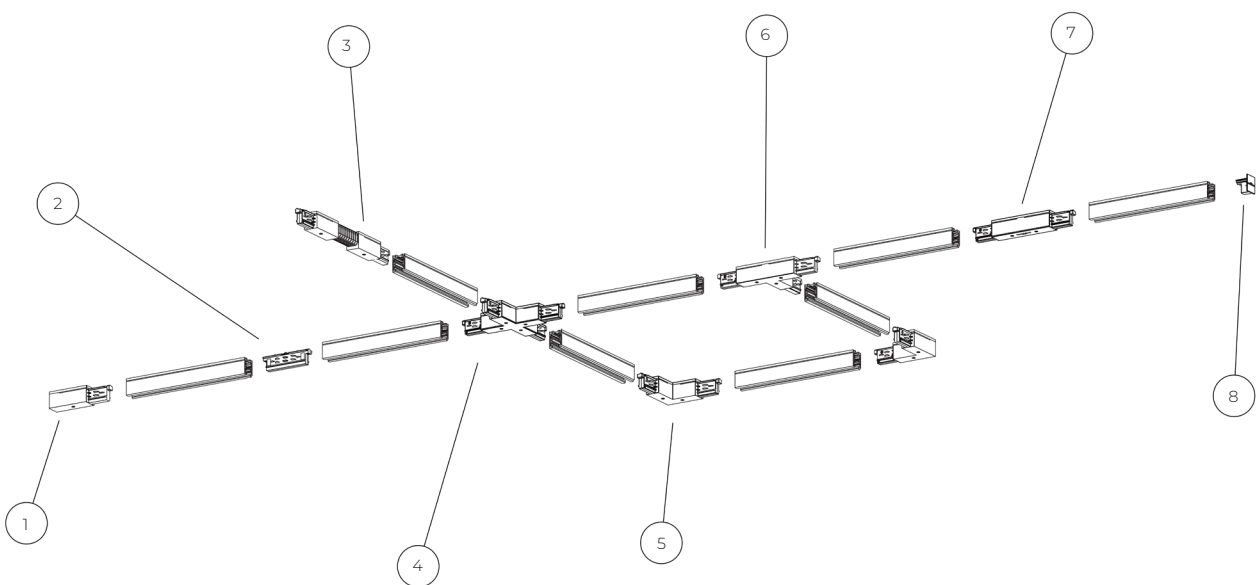
# ONETRACK Suspended 3 Circuit Track 230V AC

Stucchi OneTrack Suspended track is available in lengths of 1 meter, 2 meters or 3 meters. It is a flexible 3 phase mixed system with two additional conductors for managing general data signals like DALI or 0 - 10V (1 - 10V).

It is available in black and white finishes. The external body is made up of extruded aluminium, insulated in PVC with copper conductors.

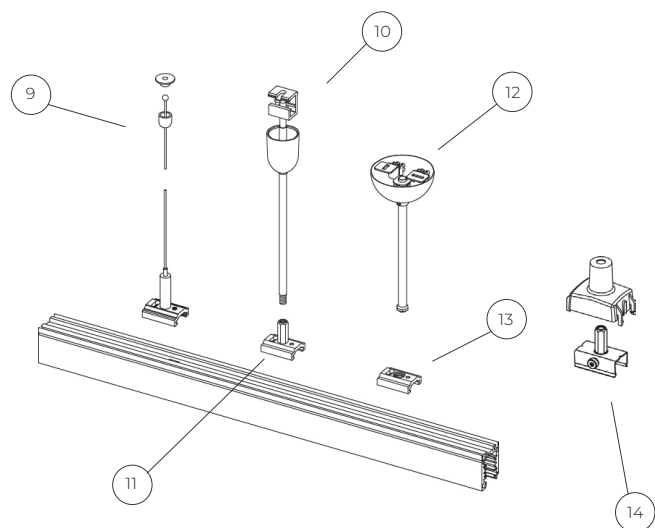
It supports:

L1/L2/L3/N/ground 16A/440V + D+/D- 2x1A/50V FELV AC (DALI)

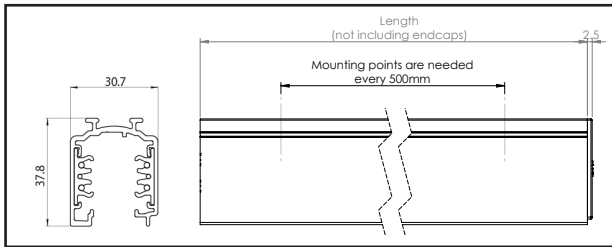
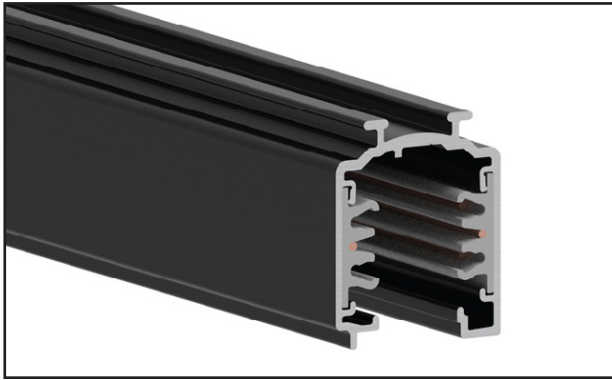


KEY:

1. End Feed
2. Joining Connector- internal connector for track lengths
3. Adjustable Corner
4. X Feed
5. L Feed
6. T Feed
7. Middle Joint - connects track lengths
8. End Cap
9. Suspension Kit 8
10. Suspension Set 3
11. Short Bracket with M6 Gripper for Suspensions
12. M13 Rigid Suspension Set
13. Short M13 threaded Pendant Bracket for Suspensions
14. Aircraft Cable Suspension Set



# ONETRACK Suspended 230V 3 Circuit



**PHYSICAL**

**CONSTRUCTION MATERIALS:** Extruded aluminium profile;  
Insulated extruded PVC body  
Copper conductors

**NO. CIRCUITS:** 2x independent switchable circuits

**DATA BUS:** Yes

**WEIGHT:** 1 kg (per meter)

**CUTTING:** Cutting to length on site possible

**ORDER CODE**

	1M	2M	3M
White	OT-230-3-SUS-WH-1M	OT-230-3-SUS-WH-2M	OT-230-3-SUS-WH-3M
Black	OT-230-3-SUS-BK-1M	OT-230-3-SUS-BK-2M	OT-230-3-SUS-BK-3M

# Suspended Track Hardware Options

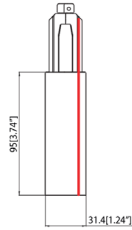
END FEEDS

END FEED FOR 3 CIRCUIT APPLICATION - RIGHT  
Compatible with all tracks

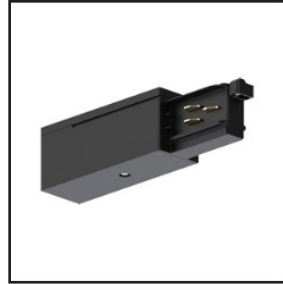


BLACK:  
OT-230-3-SUS-BK-EFR

WHITE:  
OT-230-3-SUS-WH-EFR

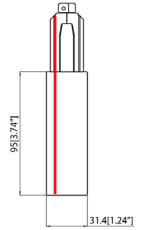


END FEED FOR 3 CIRCUIT APPLICATION - LEFT  
Compatible with all tracks



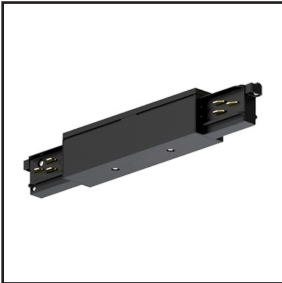
BLACK:  
OT-230-3-SUS-BK-EFL

WHITE:  
OT-230-3-SUS-WH-EFL



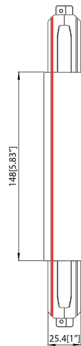
COUPLERS

MIDDLE JOINT FOR 3 CIRCUIT APPLICATION  
Compatible with all tracks

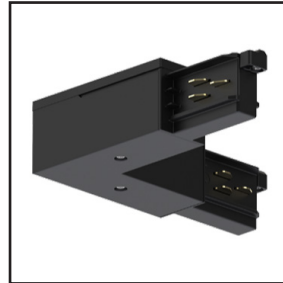


BLACK:  
OT-230-3-SUS-BK-MJ

WHITE:  
OT-230-3-SUS-WH-MJ

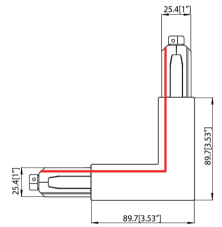


L FEED FOR 3 CIRCUIT APPLICATION - INNER  
Compatible with all tracks

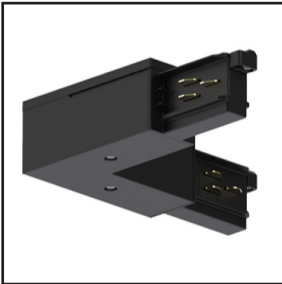


L BLACK:  
OT-230-3-SUS-BK-LCI

WHITE:  
OT-230-3-SUS-WH-LCI

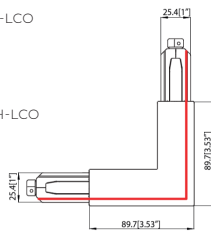


L FEED FOR 3 CIRCUIT APPLICATION - OUTER  
Compatible with all tracks

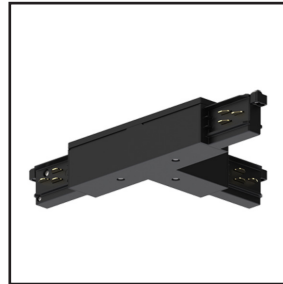


BLACK:  
OT-230-3-SUS-BK-LCO

WHITE:  
OT-230-3-SUS-WH-LCO

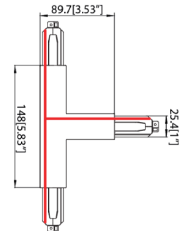


T FEED FOR 3 CIRCUIT APPLICATION - TYPE A  
Compatible with all tracks



BLACK:  
OT-230-3-SUS-BK-TCA

WHITE:  
OT-230-3-SUS-WH-TCA

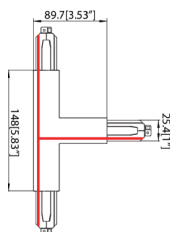


T FEED FOR 3 CIRCUIT APPLICATION - TYPE B  
Compatible with all tracks

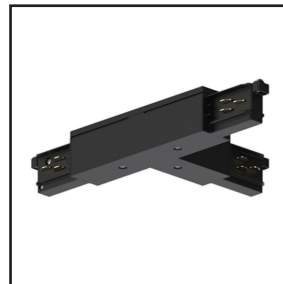


BLACK:  
OT-230-3-SUS-BK-TCB

WHITE:  
OT-230-3-SUS-WH-TCB

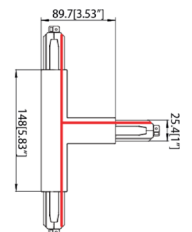


T FEED FOR 3 CIRCUIT APPLICATION - TYPE C  
Compatible with all tracks



BLACK:  
OT-230-3-SUS-BK-TCC

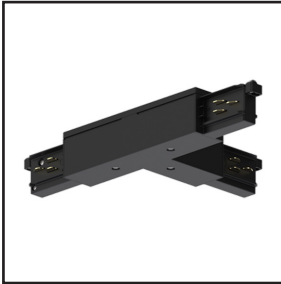
WHITE:  
OT-230-3-SUS-WH-TCC



# Suspended Track Hardware Options

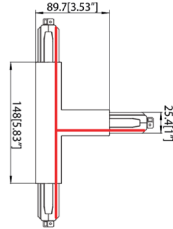
COUPLERS

T FEED FOR 3 CIRCUIT APPLICATION - TYPE D  
Compatible with all tracks



BLACK:  
OT-230-3-SUS-BK-TCD

WHITE:  
OT-230-3-SUS-WH-TCD

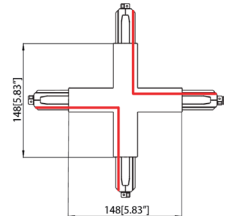


X FEED FOR 3 CIRCUIT APPLICATION  
Compatible with all tracks

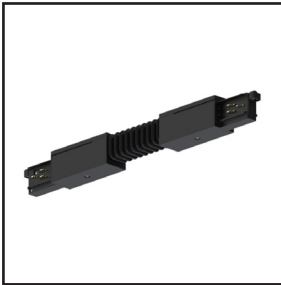


BLACK:  
OT-230-3-SUS-BK-XCP

WHITE:  
OT-230-3-SUS-WH-XCP



ADJUSTABLE CORNER FOR 3 CIRCUIT APPLICATION  
Compatible with all tracks - 9018/B-2C - 9018/W-2C



BLACK:  
OT-230-3-SUS-BK-ACP

WHITE:  
OT-230-3-SUS-WH-ACP

JOINTING CONNECTOR  
Compatible with all tracks



BLACK:  
OT-230-3-SUS-BK-JCN

WHITE:  
OT-230-3-SUS-WH-JCN

ADDITIONAL ACCESSORIES

END CAP  
Compatible with all tracks



BLACK:  
OT-230-3-SUS-BK-ECS

WHITE:  
OT-230-3-SUS-WH-ECS

CUTTING TOOL FOR TRACK CONDUCTORS  
Compatible with all track options



BLACK:  
OT-230-3-SUS-BK-CUT

WHITE:  
OT-230-3-SUS-WH-CUT

SUSPENSION OPTIONS

SUSPENSION SET 3  
Requires 'Short Bracket with M6 Gripper' or 'Aircraft Cable Suspension set'



BLACK:  
OT-230-3-SUS-BK-SS3

WHITE:  
OT-230-3-SUS-WH-SS3

INCLUDES:

- Ceiling bracket
- M6 nut
- Plastic cup
- 1 meter M6 threaded bar

SHORT BRACKET WITH M6 GRIPPER FOR SUSPENSIONS  
Compatible with Suspension Set 3



BLACK:  
OT-230-3-SUS-BK-BM6

WHITE:  
OT-230-3-SUS-WH-BM6

PLEASE NOTE NOT ALL PARTS ARE OF BLACK/ WHITE FINISH



## Suspended Track Hardware Options

AIRCRAFT CABLE SUSPENSION SET  
Compatible with Suspension Set 3



- BLACK:  
OT-230-3-SUS-BK-ACS
- WHITE:  
OT-230-3-SUS-WH-ACS
- INCLUDES:
- Clamp w. M6 thread gripper
  - Plastic cover

M13 RIGID SUSPENSION SET  
Requires Short M13 Threaded Pendant Bracket for Suspensions



- BLACK:  
OT-230-3-SUS-BK-M13
- WHITE:  
OT-230-3-SUS-WH-M13
- INCLUDES:
- Ceiling bracket
  - Metal cup Ø100mm
  - 1.2 meter M13 threaded stem with counter nut

SHORT M13 THREADED PENDANT BRACKET FOR SUSPENSIONS  
Compatible with M13 Rigid Suspension Set



- BLACK:  
OT-230-3-SUS-BK-P13
- WHITE:  
OT-230-3-SUS-WH-P13

SUSPENSION KIT 8  
Compatible with surface and suspended track



- BLACK:
- 1.5M:  
OT-230-3-SUS-BK-C59
- 3M:  
OT-230-3-SUS-BK-C118
- WHITE:
- 1.5M:  
OT-230-3-SUS-WH-C59
- 3M:  
OT-230-3-SUS-WH-C118

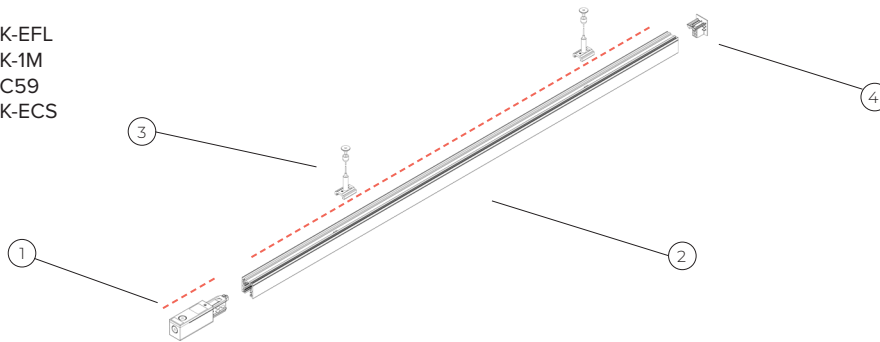
- INCLUDES:
- Round head ceiling attachment
  - Ø 1.5mm steel cable with spherical end.
  - Bracket with automatic gripper

⚠ PLEASE NOTE NOT ALL PARTS ARE OF BLACK/ WHITE FINISH

## Example layout diagrams

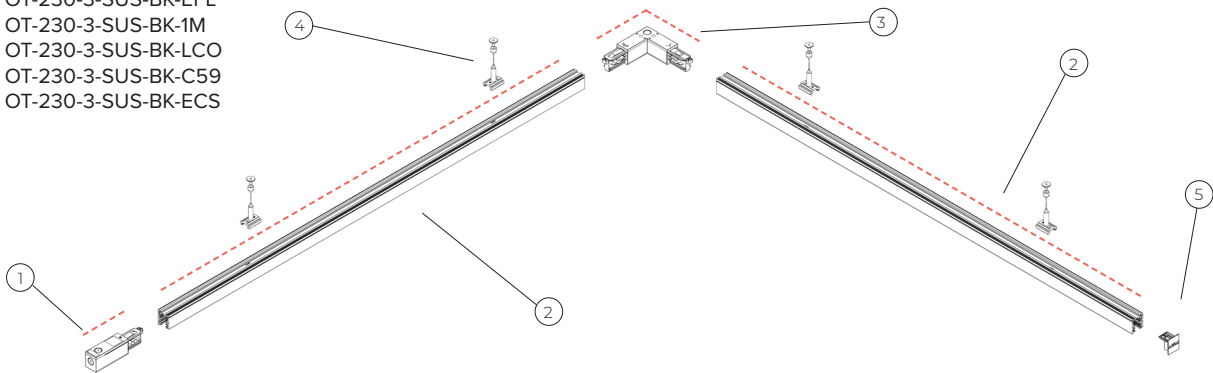
KEY:

1. OT-230-3-SUS-BK-EFL
2. OT-230-3-SUS-BK-1M
3. OT-230-SUS-BK-C59
4. OT-230-3-SUS-BK-ECS



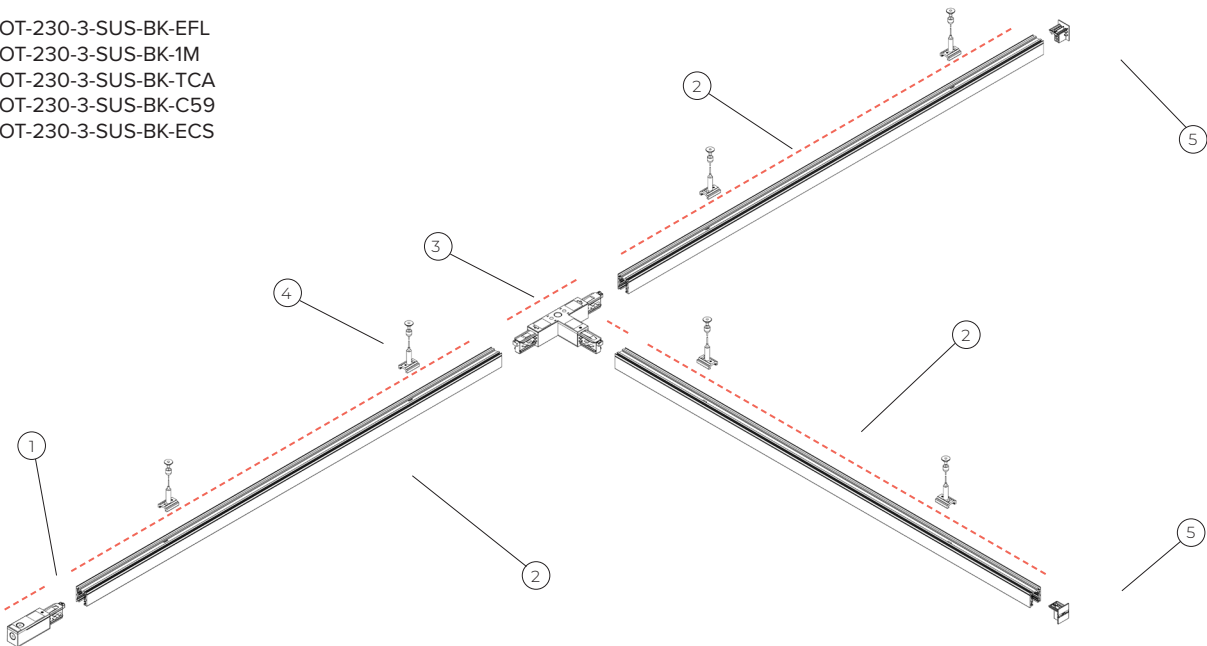
KEY:

1. OT-230-3-SUS-BK-EFL
2. OT-230-3-SUS-BK-1M
3. OT-230-3-SUS-BK-LCO
4. OT-230-3-SUS-BK-C59
5. OT-230-3-SUS-BK-ECS



KEY:

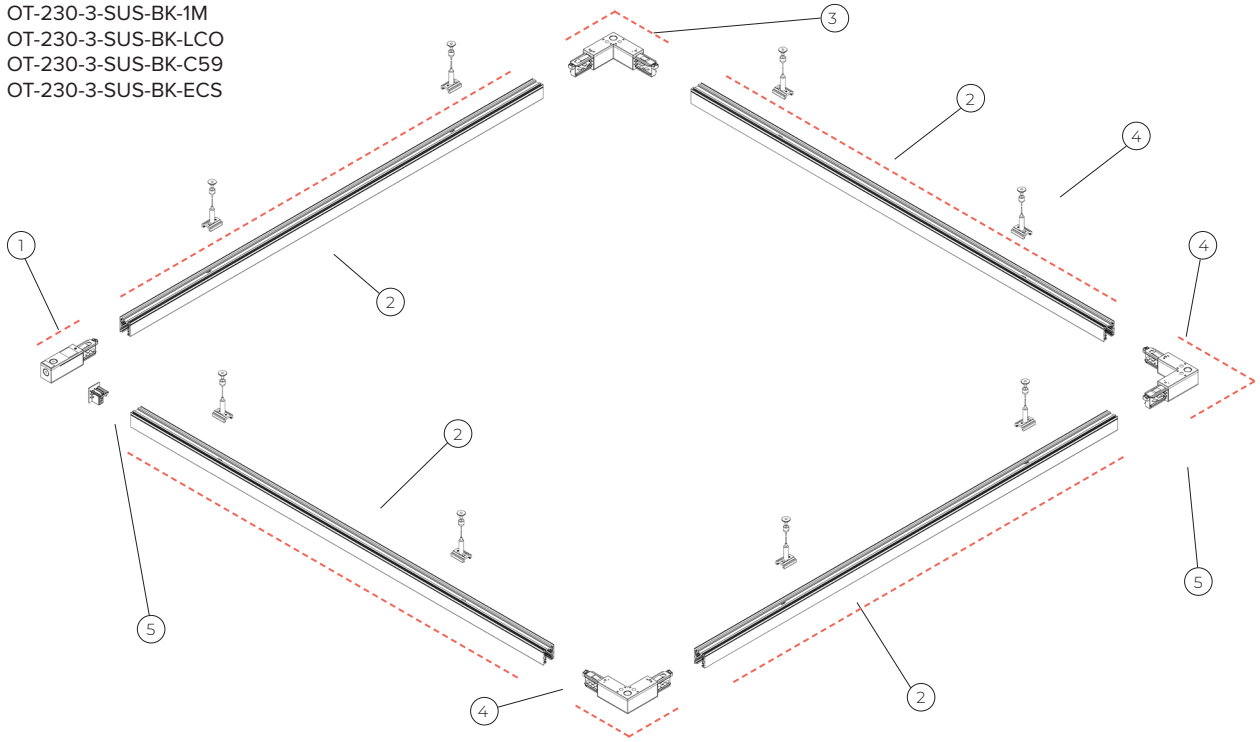
1. OT-230-3-SUS-BK-EFL
2. OT-230-3-SUS-BK-1M
3. OT-230-3-SUS-BK-TCA
4. OT-230-3-SUS-BK-C59
5. OT-230-3-SUS-BK-ECS



## Example layout diagrams

KEY:

1. OT-230-3-SUS-BK-EFL
2. OT-230-3-SUS-BK-1M
3. OT-230-3-SUS-BK-LCO
4. OT-230-3-SUS-BK-C59
5. OT-230-3-SUS-BK-ECS



DOTTED LINE DENOTES POLARITY KEYED SIDE OF TRACK

PLEASE ENSURE POLARITY REMAINS CONSISTENT THROUGHOUT TRACK SYSTEM

## Suspension Loading Information

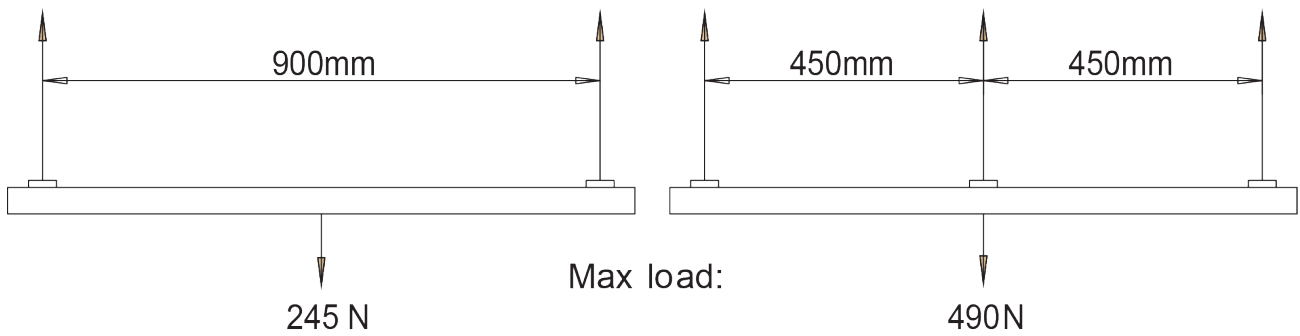


TABLE OF RCL FIXTURE WEIGHTS:

FIXTURE	WEIGHT
DRX1	11.8N
DRX2	18.7N

KEY POINTS:

Read all instructions.

Do not install this track in damp or wet locations.

Do not install any part of a track system less than 5ft above the floor.

Do not install any fixture assembly closer than 6in from any curtain or similar combustible material.

Disconnect electrical power before adding to or changing the configuration of the track.

Do not attempt to energize anything other than lighting track fixtures on the track.

To reduce the risk of fire and electrical shock, do not attempt to connect any power tools, extension cords, appliances, or the like to the track.

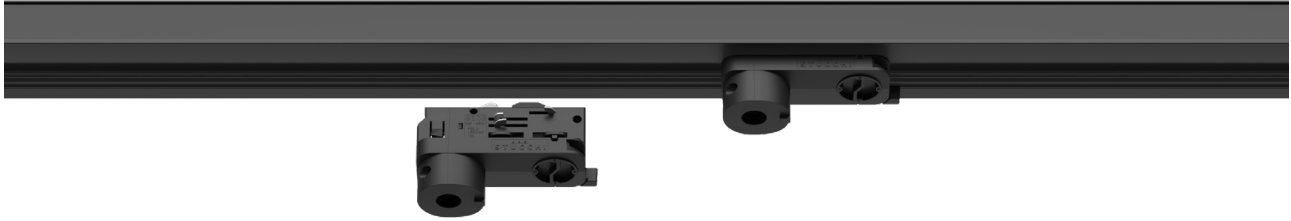
The system is UL 1574 certified and its installation must be done by specialized personnel only.

The track can be surface mounted using the mounting holes on the track, hanging by suspension or recessed without exceeding the maximum loads.

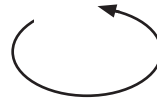


# General Technical Information

## INSERTING TRACK ADAPTOR/ FITTER



1. Insert track adaptor.
2. Turn mechanical lock.



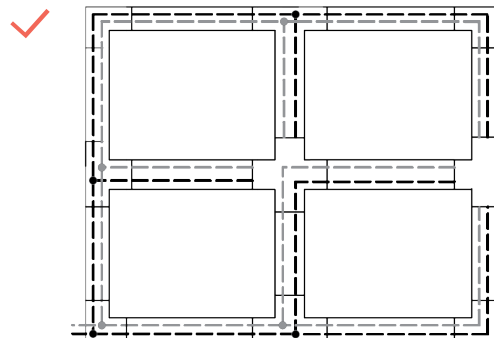
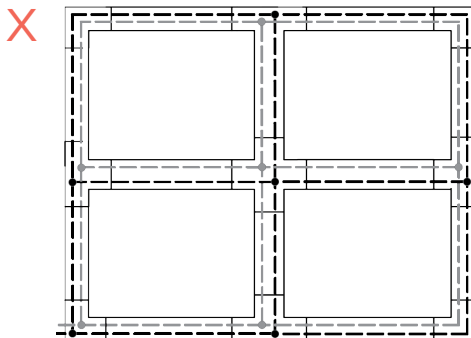
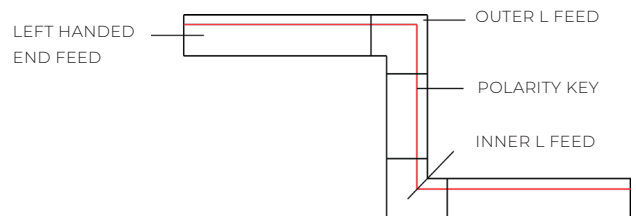
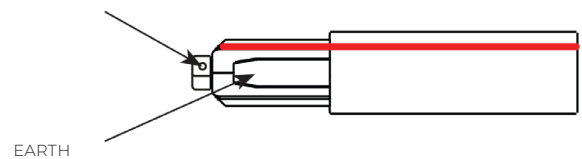
3. Set to desired circuit.

## POLARITY

Consistent polarity must be kept throughout the circuit. Please ensure that the data bus wiring does not create a ring structure. A failure free data bus cannot be ensured if one is present. If the track installation requires the use of 'L' 'T' or 'X' shaped joints, it is possible to disconnect the data bus in these joints to avoid creating a ring structure.

If the track requires L T or X joints polarity must be observed throughout the system. The track power feeds and interconnectors have markings for D+ & D-. For DALI installations the luminaires are themselves not polarity sensitive however you must ensure the data bus wiring does not create a ring structure. For 1-10V installations the luminaires are polarity sensitive, you must ensure the data bus wiring does not create a ring structure and that polarity is maintained in relation to the polarity key on the track by using left handed / right handed, internal and external connectors. If the track installation requires the use of L T or X joints, it is possible to disconnect the data bus in these joints to avoid creating a ring. Pay attention at joints between track sections that the polarity key feature is on the same side across tracks. Miss-wiring will result in a short or sections of non-controllable lights.

### SCREW/ POLARITY

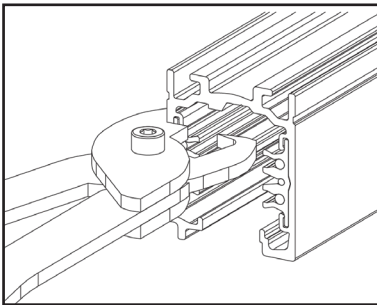


## General Technical Information

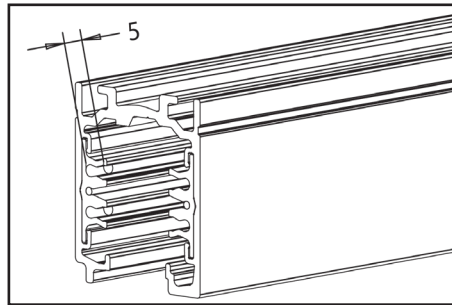
### IMPORTANT TRACK INSTALLATION DIRECTIONS

#### CONDUCTOR PREPARATION

The track bars with length 1 meter, 2 meters and 3 meters are provided with the copper conductors already recessed, in compliance with the relevant safety standard. If it is necessary to shorten the track during installation this operation must be done with a tool intended for cutting aluminium. After cutting operation it is necessary to bend the power conductors with the CUT tool to recess the 4 power conductors at least of 5mm so that the correct air, surface and electrical distances are respected



RECESSING TRACK  
CONDUCTORS

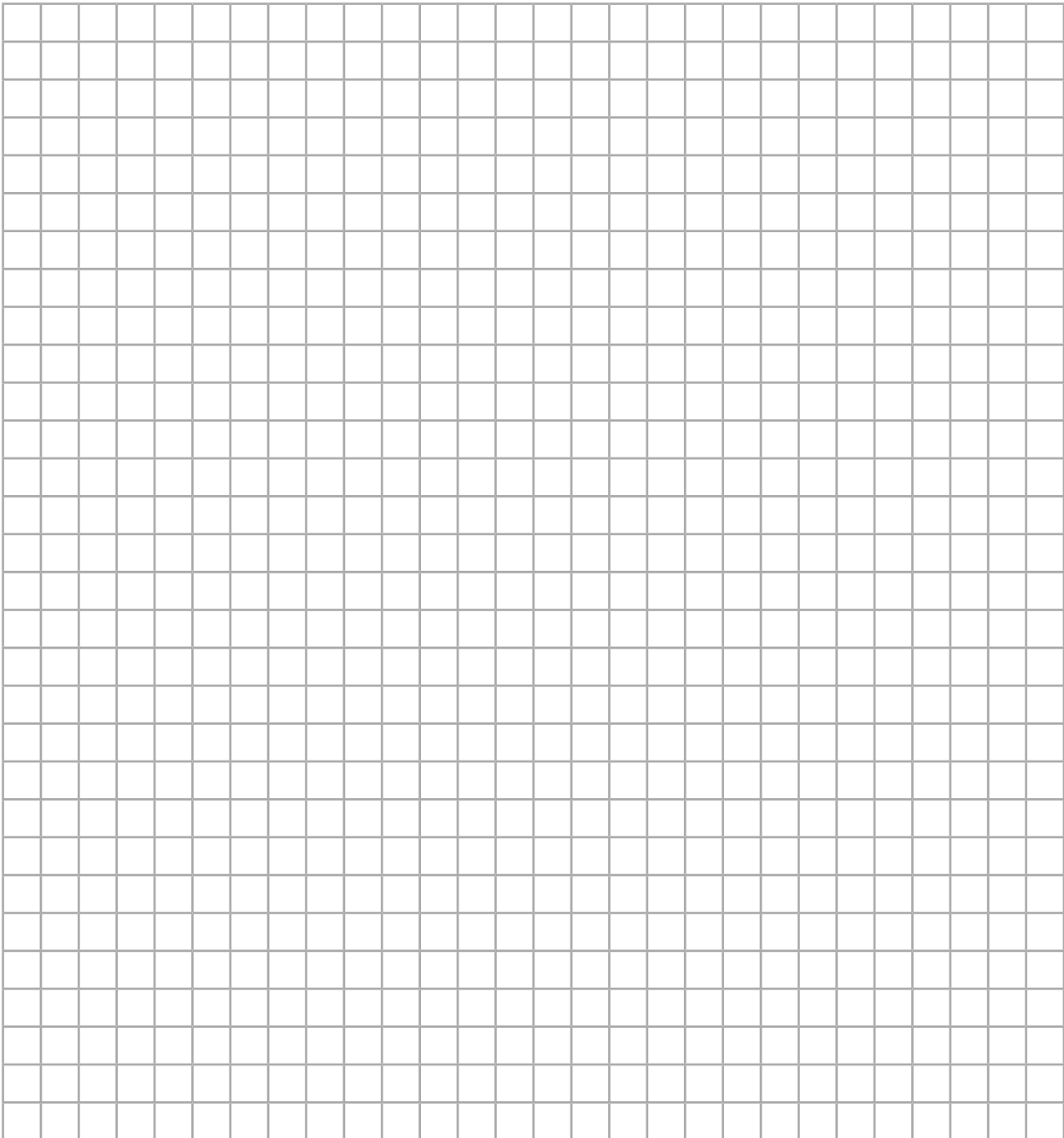


MINIMUM RECESSING

## ONETRACK SYSTEM SKETCH GRID

Use grid below to sketch out details of the OneTrack Track System. Include as many details as possible such as:

- Shape
- Dimensions of each leg
- Location of Power Feeds
- Location and Type of Track Modules (Directional, Ambient, Track Heads)
- Ceiling Thickness (for Trimless Tracks)







## CONTACT US

224.333.6033  
info@luminii.com  
luminii.com

**NILES OFFICE**  
7777 Merrimac Ave.  
Niles, IL 60714  
403.216.7043

**CALGARY OFFICE**  
302 50 Ave SE. Calgary, AB T2G 2A9  
Canada  
403.216.7043

**COOKEVILLE OFFICE**  
1093 Volunteer Dr.  
Cookeville, TN 38506  
931.528.1052

**LONDON OFFICE**  
42 Riverside Road London, United  
Kingdom SW17 0BA  
020.8947.6616