

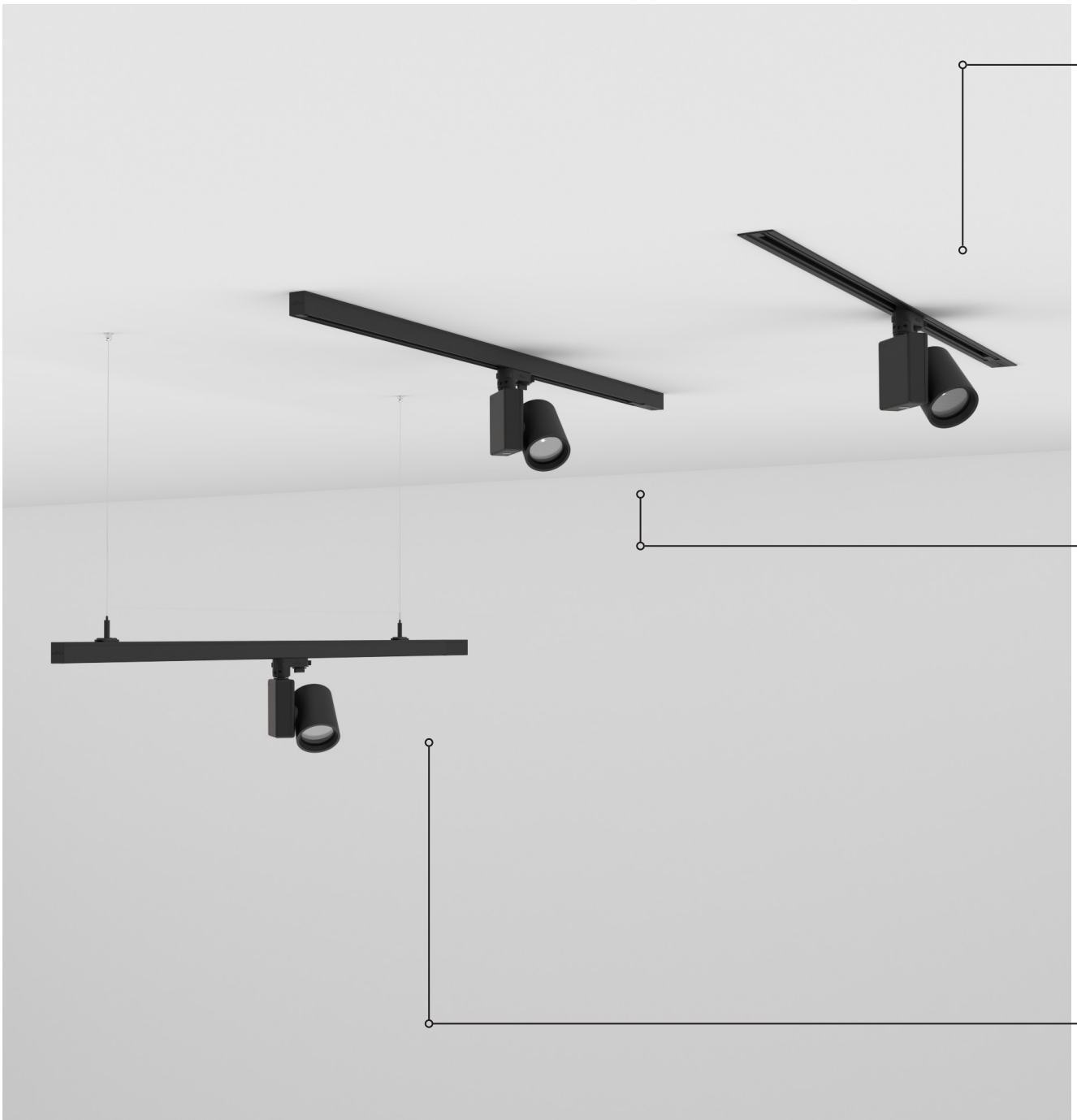
STUCCHI ONETRACK UL 120V 277V AC



RECESSED

SURFACE

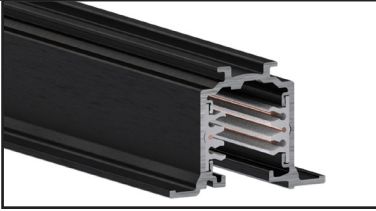
SUSPENDED



DRX1 SHOWN ON STUCCHI ONETRACK UL SUSPENDED, SURFACE AND RECESSED

Stucchi ONETRACK UL Offerings

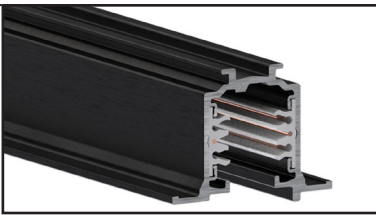
ONETRACK UL - Recessed 120V 2 Circuits



ORDER CODE

	4.0ft	8.0ft
White	OT-120-2-REC-WH-4F	OT-120-2-REC-WH-8F
Black	OT-120-2-REC-BK-4F	OT-120-2-REC-BK-8F

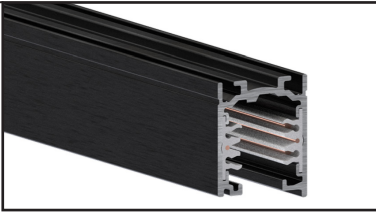
ONETRACK UL - Recessed 277V 2 Circuits



ORDER CODE

	4.0ft	8.0ft
White	OT-277-2-REC-WH-4F	OT-277-2-REC-WH-8F
Black	OT-277-2-REC-BK-4F	OT-277-2-REC-BK-8F

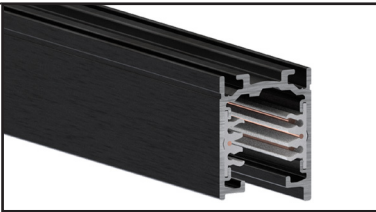
ONETRACK UL - Surface 120V 2 Circuits



ORDER CODE

	4.0ft	8.0ft	12.0ft
White	OT-120-2-SUR-WH-4F	OT-120-2-SUR-WH-8F	OT-120-2-SUR-WH-12F
Black	OT-120-2-SUR-BK-4F	OT-120-2-SUR-BK-8F	OT-120-2-SUR-BK-12F

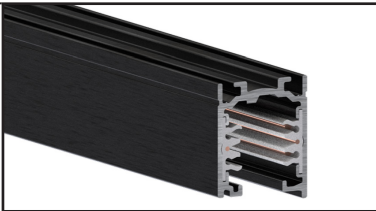
ONETRACK UL - Surface 277V 2 Circuits



ORDER CODE

	4.0ft	8.0ft	12.0ft
White	OT-277-2-SUR-WH-4F	OT-277-2-SUR-WH-8F	OT-277-2-SUR-WH-12F
Black	OT-277-2-SUR-BK-4F	OT-277-2-SUR-BK-8F	OT-277-2-SUR-BK-12F

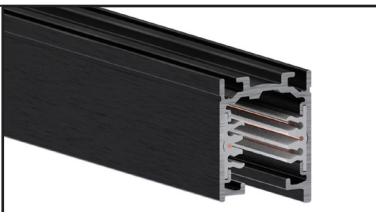
ONETRACK UL - Suspended 120V 2 Circuits



ORDER CODE

	4.0ft	8.0ft	12.0ft
White	OT-120-2-SUS-WH-4F	OT-120-2-SUS-WH-8F	OT-120-2-SUS-WH-12F
Black	OT-120-2-SUS-BK-4F	OT-120-2-SUS-BK-8F	OT-120-2-SUS-BK-12F

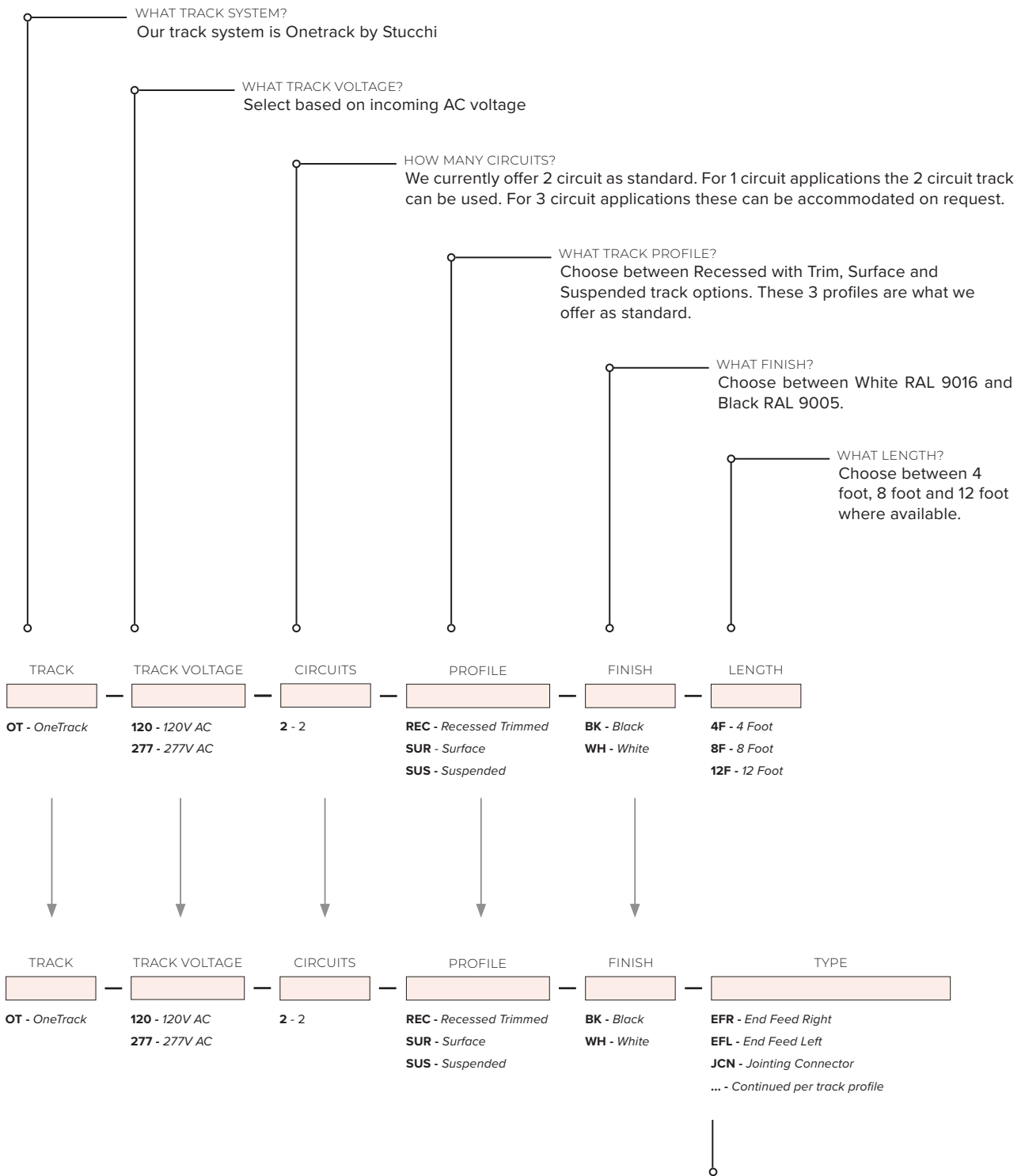
ONETRACK UL - Suspended 277V 2 Circuits



ORDER CODE

	4.0ft	8.0ft	12.0ft
White	OT-277-2-SUS-WH-4F	OT-277-2-SUS-WH-8F	OT-277-2-SUS-WH-12F
Black	OT-277-2-SUS-BK-4F	OT-277-2-SUS-BK-8F	OT-277-2-SUS-BK-12F

How to specify track

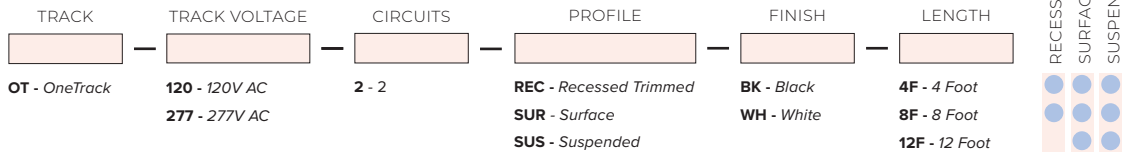


Ensure that your selection of Track, Voltage, Circuits, Profile and Finish matches between the Track and Accessories.

WHAT TRACK ACCESSORY/CONNECTOR?
When choosing track accessories and connectors pay attention to polarity requirements. We offer as standard a slimmed down Onetrack range of accessories to cover the essentials. If there is an item you require not seen here please contact us.

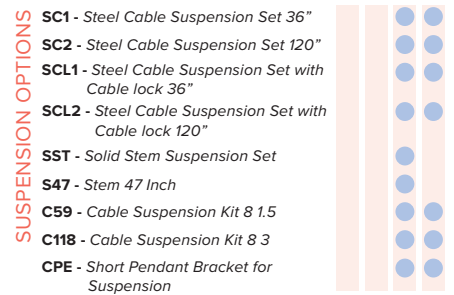
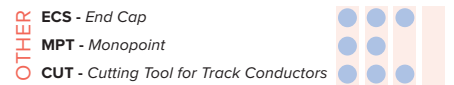
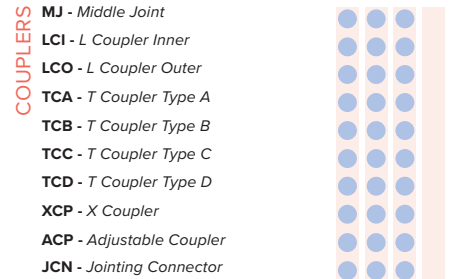
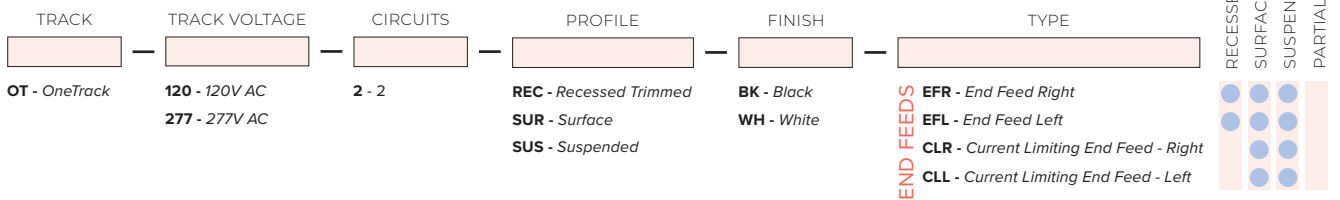
Code Builder

TRACK



12ft Length only available as Surface and Suspended track.

ACCESSORIES



CODE EXAMPLE

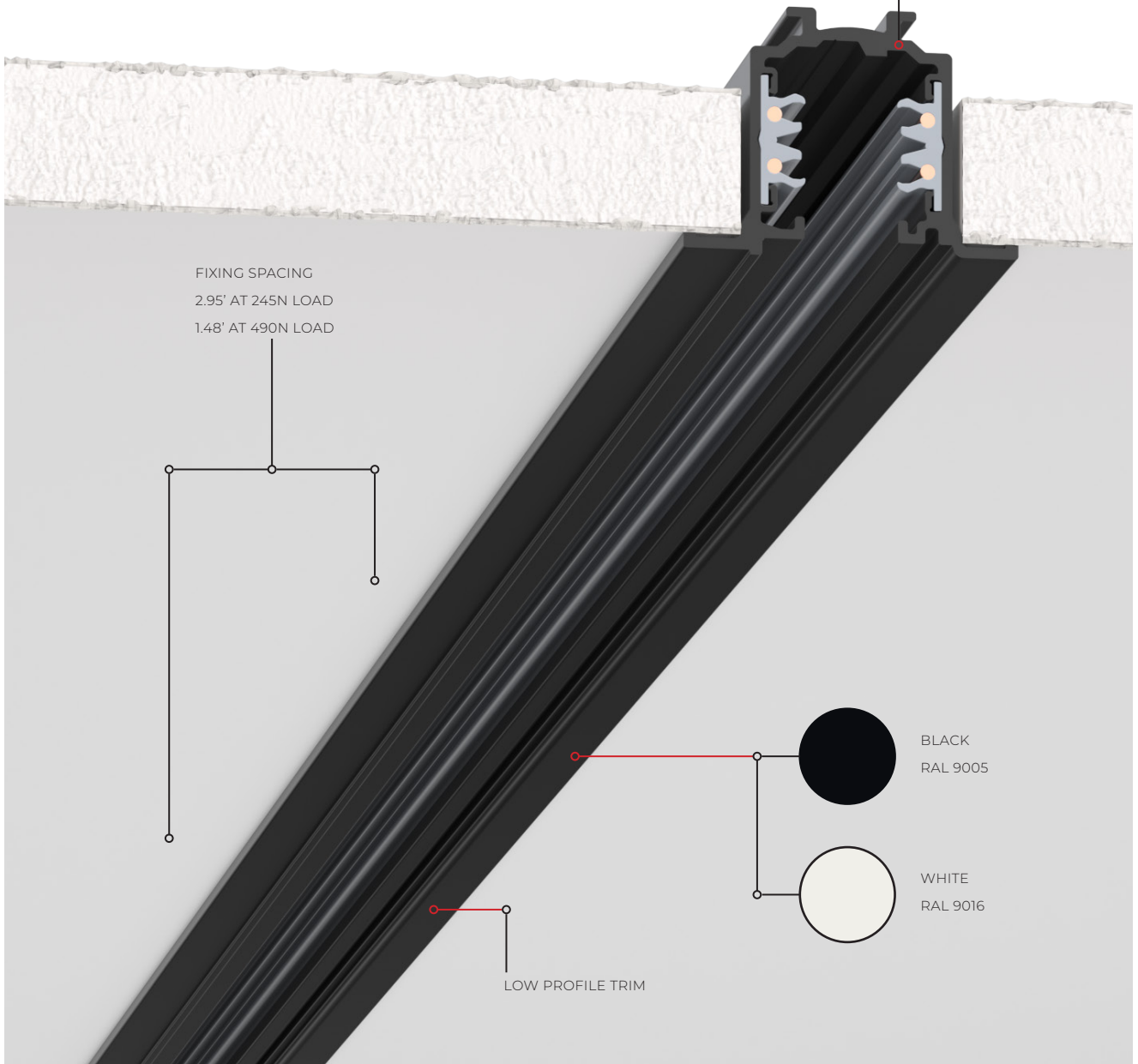
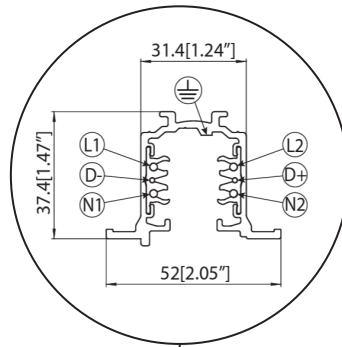
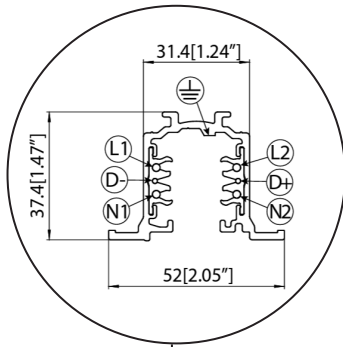
Track: OT-120-SUR-2-BK-4F
Accessories: OT-120-SUR-2-BK-EFL



RECESSED

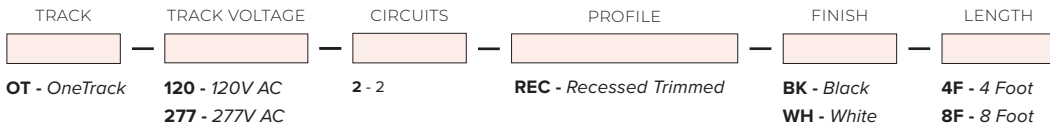
120V 2 CIRCUIT

277V 2 CIRCUIT

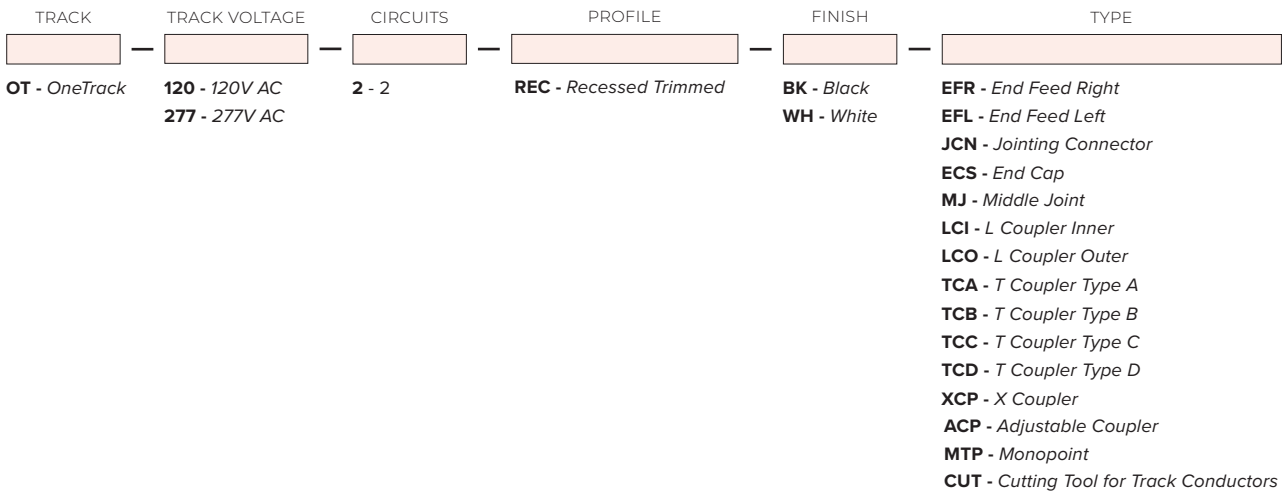


Recessed Code Builder

TRACK



ACCESSORIES



CODE EXAMPLE

Track: OT-120-REC-2-BK-4F

Accessories: OT-120-REC-2-BK-EFL

ONETRACK UL Recessed 2 Circuit Track 120v and 277V AC

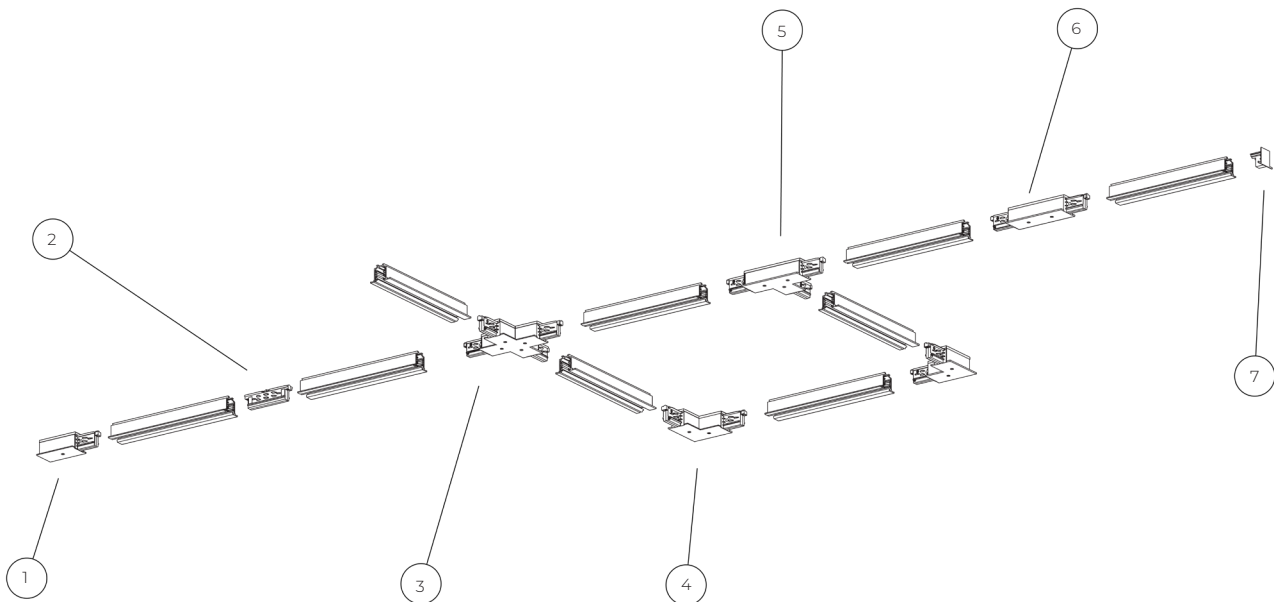
Stucchi OneTrack UL Recessed track is available in both 2 circuit 120V and 277V AC in lengths of 4 ft or 8 ft. It is a flexible 3 phase mixed system with two additional conductors for managing general data signals like DALI or 0 - 10 V (1 – 10V).

It is available in black and white finishes. The external body is made up of extruded aluminium, insulated in PVC with copper conductors.

IT SUPPORTS:

L1/L2/N1/N2/ground 2x120V/20A + D+/D- 2x1A/50V FELV AC (DALI)

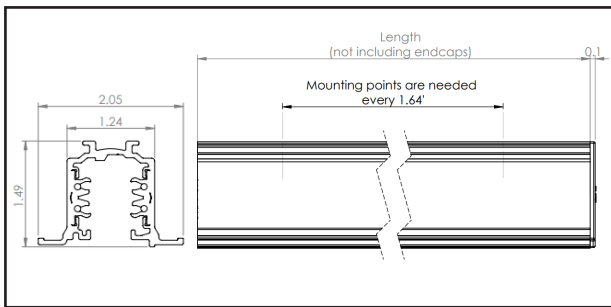
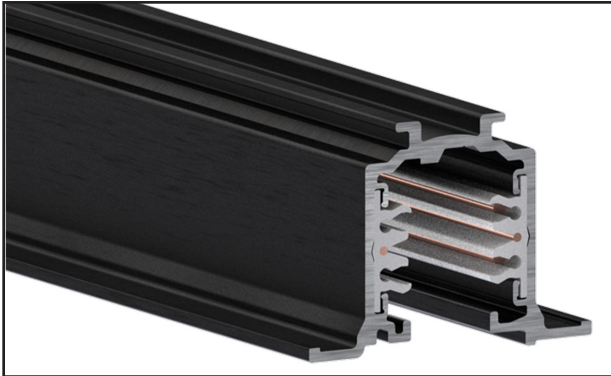
L1/L2/N1/N2/ground 2x277V/20A + D+/D- 2x1A/50V FELV AC (DALI)



KEY:

1. End Feed with recessed cover
2. Joining Connector - internal connector for track lengths
3. X Feed with recessed cover
4. L Feed with recessed cover
5. T Feed with recessed cover
6. Middle Joint with recessed cover - connects track lengths
7. Recessed End Cap

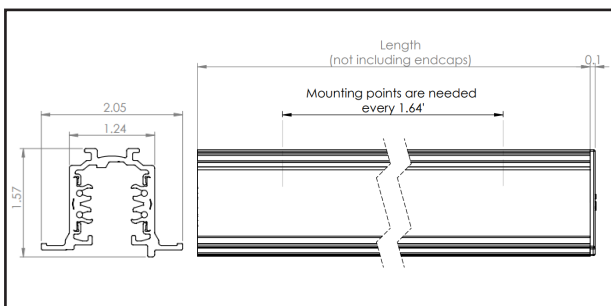
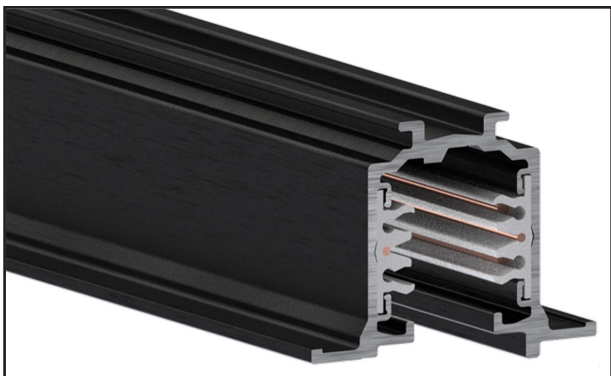
ONETRACK UL Recessed 120V 2 Circuit



PHYSICAL	CONSTRUCTION MATERIALS:	Extruded aluminium profile; Insulated extruded PVC body Copper conductors
	NO. CIRCUITS:	2x independent switchable circuits
	DATA BUS:	Yes
	WEIGHT:	3.09lbs (4ft)
	CUTTING:	Cutting to length on site possible

ORDER CODE		4.0ft	8.0ft
	White	OT-120-2-REC-WH-4F	OT-120-2-REC-WH-8F
	Black	OT-120-2-REC-BK-4F	OT-120-2-REC-BK-8F

ONETRACK UL Recessed 277V 2 Circuit



PHYSICAL	CONSTRUCTION MATERIALS:	Extruded aluminium profile; Insulated extruded PVC body Copper conductors
	NO. CIRCUITS:	2x independent switchable circuits
	DATA BUS:	Yes
	WEIGHT:	3.09lbs kg (4 ft)
	CUTTING:	Cutting to length on site possible

ORDER CODE		4.0ft	8.0ft
	White	OT-277-2-REC-WH-4F	OT-277-2-REC-WH-8F
	Black	OT-277-2-REC-BK-4F	OT-277-2-REC-BK-8F

Recessed Track Hardware Options

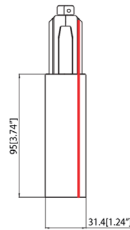
END FEEDS

END FEED FOR 2 CIRCUIT APPLICATION - RIGHT

To be used with recessed cover, codes below for assembled unit

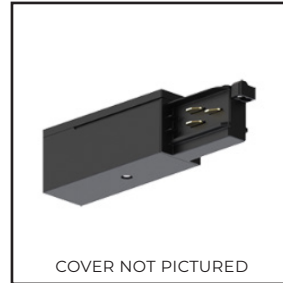


- BLACK:**
OT-120-2-REC-BK-EFR
OT-277-2-REC-BK-EFR
- WHITE:**
OT-120-2-REC-WH-EFR
OT-277-2-REC-WH-EFR

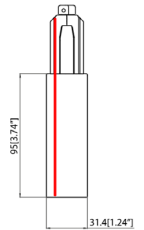


END FEED FOR 2 CIRCUIT APPLICATION - LEFT

To be used with recessed cover, codes below for assembled unit



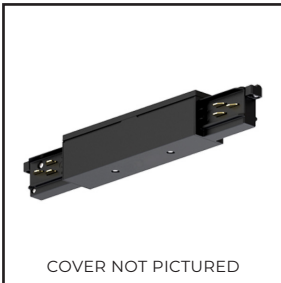
- BLACK:**
OT-120-2-REC-BK-EFL
OT-277-2-REC-BK-EFL
- WHITE:**
OT-120-2-REC-WH-EFL
OT-277-2-REC-WH-EFL



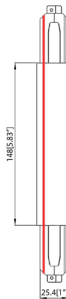
COUPLERS

MIDDLE JOINT FOR 2 CIRCUIT APPLICATION

To be used with recessed cover, codes below for assembled unit

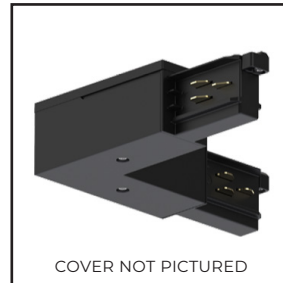


- BLACK:**
OT-120-2-REC-BK-MJ
OT-277-2-REC-BK-MJ
- WHITE:**
OT-120-2-REC-WH-MJ
OT-277-2-REC-WH-MJ

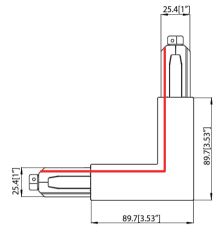


L FEED FOR 2 CIRCUIT APPLICATION - INNER

To be used with recessed cover, codes below for assembled unit

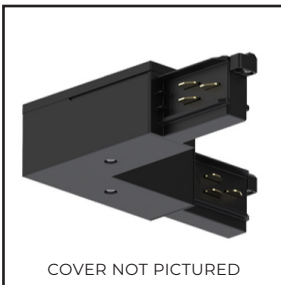


- BLACK:**
OT-120-2-REC-BK-LCI
OT-277-2-REC-BK-LCI
- WHITE:**
OT-120-2-REC-WH-LCI
OT-277-2-REC-WH-LCI

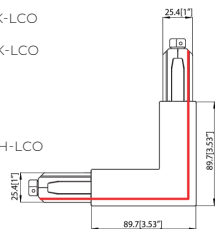


L FEED FOR 2 CIRCUIT APPLICATION - OUTER

To be used with recessed cover, codes below for assembled unit

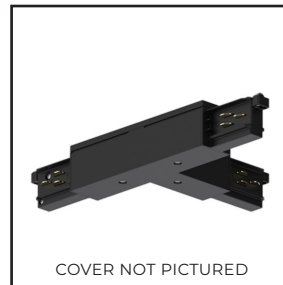


- BLACK:**
OT-120-2-REC-BK-LCO
OT-277-2-REC-BK-LCO
- WHITE:**
OT-120-2-REC-WH-LCO
OT-277-2-REC-WH-LCO

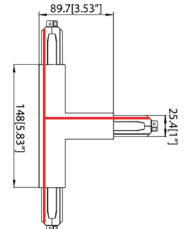


T FEED FOR 2 CIRCUIT APPLICATION - TYPE A

To be used with recessed cover, codes below for assembled unit

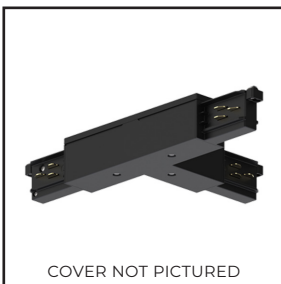


- BLACK:**
OT-120-2-REC-BK-TCA
OT-277-2-REC-BK-TCA
- WHITE:**
OT-120-2-REC-WH-TCA
OT-277-2-REC-WH-TCA

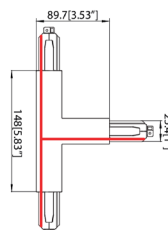


T FEED FOR 2 CIRCUIT APPLICATION - TYPE B

To be used with recessed cover, codes below for assembled unit

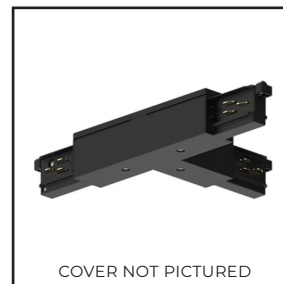


- BLACK:**
OT-120-2-REC-BK-TCB
OT-277-2-REC-BK-TCB
- WHITE:**
OT-120-2-REC-WH-TCB
OT-277-2-REC-WH-TCB

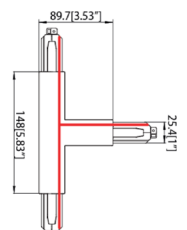


T FEED FOR 2 CIRCUIT APPLICATION - TYPE C

To be used with recessed cover, codes below for assembled unit



- BLACK:**
OT-120-2-REC-BK-TCC
OT-277-2-REC-BK-TCC
- WHITE:**
OT-120-2-REC-WH-TCC
OT-277-2-REC-WH-TCC

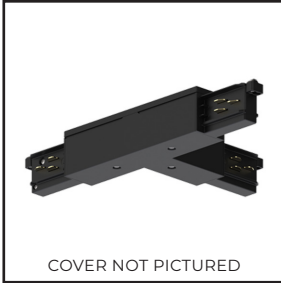


Recessed Track Hardware Options

COUPLERS

T FEED FOR 2 CIRCUIT APPLICATION - TYPE D

To be used with recessed cover, codes below for assembled unit

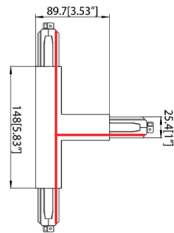


BLACK:

- OT-120-2-REC-BK-TC D
- OT-277-2-REC-BK-TC D

WHITE:

- OT-120-2-REC-WH-TC D
- OT-277-2-REC-WH-TC D



X FEED FOR 2 CIRCUIT APPLICATION

To be used with recessed cover, codes below for assembled unit

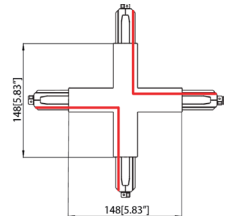


BLACK:

- OT-120-2-REC-BK-XCP
- OT-277-2-REC-BK-XCP

WHITE:

- OT-120-2-REC-WH-XCP
- OT-277-2-REC-WH-XCP



ADJUSTABLE CORNER FOR 2 CIRCUIT APPLICATION

Compatible with all tracks



BLACK:

- OT-120-2-REC-BK-ACP
- OT-277-2-REC-BK-ACP

WHITE:

- OT-120-2-REC-WH-ACP
- OT-277-2-REC-WH-ACP

JOINING CONNECTOR

Compatible with all tracks



BLACK:

- OT-120-2-REC-BK-JCN
- OT-277-2-REC-BK-JCN

WHITE:

- OT-120-2-REC-WH-JCN
- OT-277-2-REC-WH-JCN

ADDITIONAL ACCESSORIES

END CAP FOR RECESSED TRACK

Compatible with recessed track



BLACK:

- OT-120-2-REC-BK-ECS
- OT-277-2-REC-BK-ECS

WHITE:

- OT-120-2-REC-WH-ECS
- OT-277-2-REC-WH-ECS

RECESSED COVER FOR END FEED

Compatible with recessed track



IMAGE FOR REFERENCE ONLY -
REFER TO ASSEMBLED CODE ON
PRIOR PAGE

RECESSED COVER FOR MIDDLE FEED

Compatible with recessed track

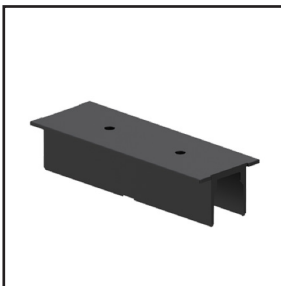


IMAGE FOR REFERENCE ONLY -
REFER TO ASSEMBLED CODE ON
PRIOR PAGE

RECESSED COVER FOR L - FEED

Compatible with recessed track



IMAGE FOR REFERENCE ONLY -
REFER TO ASSEMBLED CODE ON
PRIOR PAGE

Recessed Track Hardware Options

ADDITIONAL ACCESSORIES

RECESSED COVER FOR T FEED
Compatible with recessed track

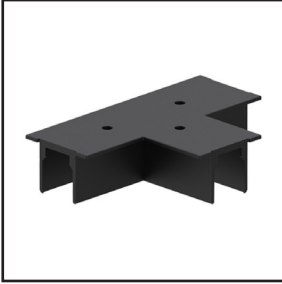


IMAGE FOR REFERENCE ONLY -
REFER TO ASSEMBLED CODE ON
PRIOR PAGE

RECESSED COVER FOR X- FEED
Compatible with recessed track

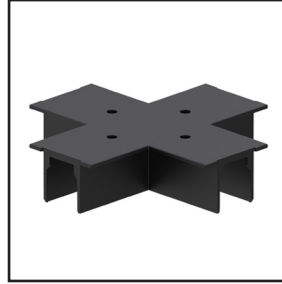


IMAGE FOR REFERENCE ONLY -
REFER TO ASSEMBLED CODE ON
PRIOR PAGE

MONOPOINT RECESSED
Codes below for assembled unit



BLACK:
OT-120-2-REC-BK-MPT
OT-277-2-REC-BK-MPT

WHITE:
OT-120-2-REC-WH-MPT
OT-277-2-REC-WH-MPT

CUTTING TOOL FOR TRACK CONDUCTORS
Compatible with all track options



BLACK:
OT-120-2-REC-BK-CUT
OT-277-2-REC-BK-CUT

WHITE:
OT-120-2-REC-WH-CUT
OT-277-2-REC-WH-CUT

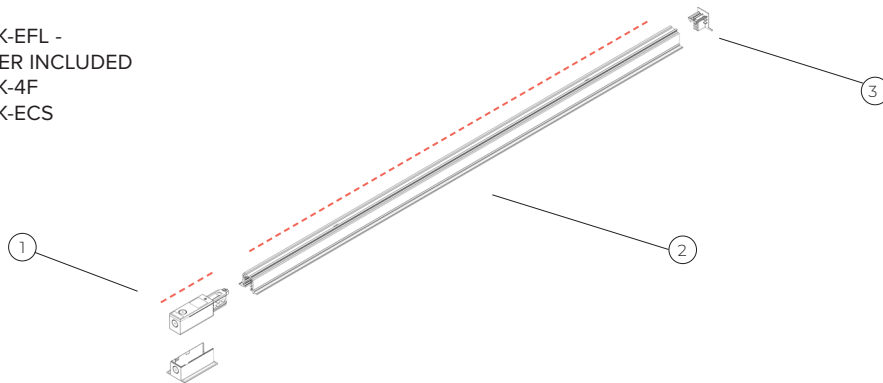
CURRENT LIMITING END FEED NOT AVAILABLE FOR RECESSED TRACK
PLEASE SOURCE THROUGH THIRD PARTY

RECESSED

Example layout diagrams

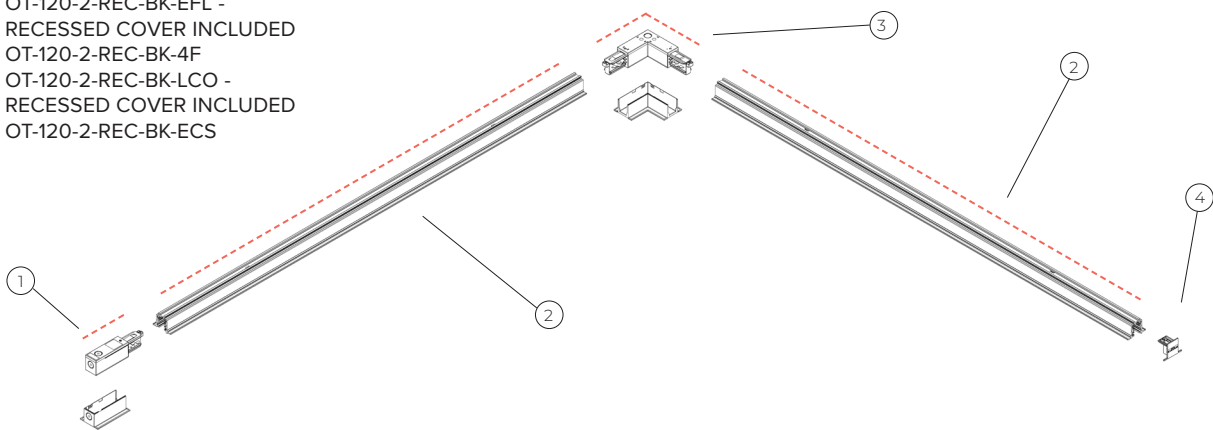
KEY:

1. OT-120-2-REC-BK-EFL - RECESSED COVER INCLUDED
2. OT-120-2-REC-BK-4F
3. OT-120-2-REC-BK-ECS



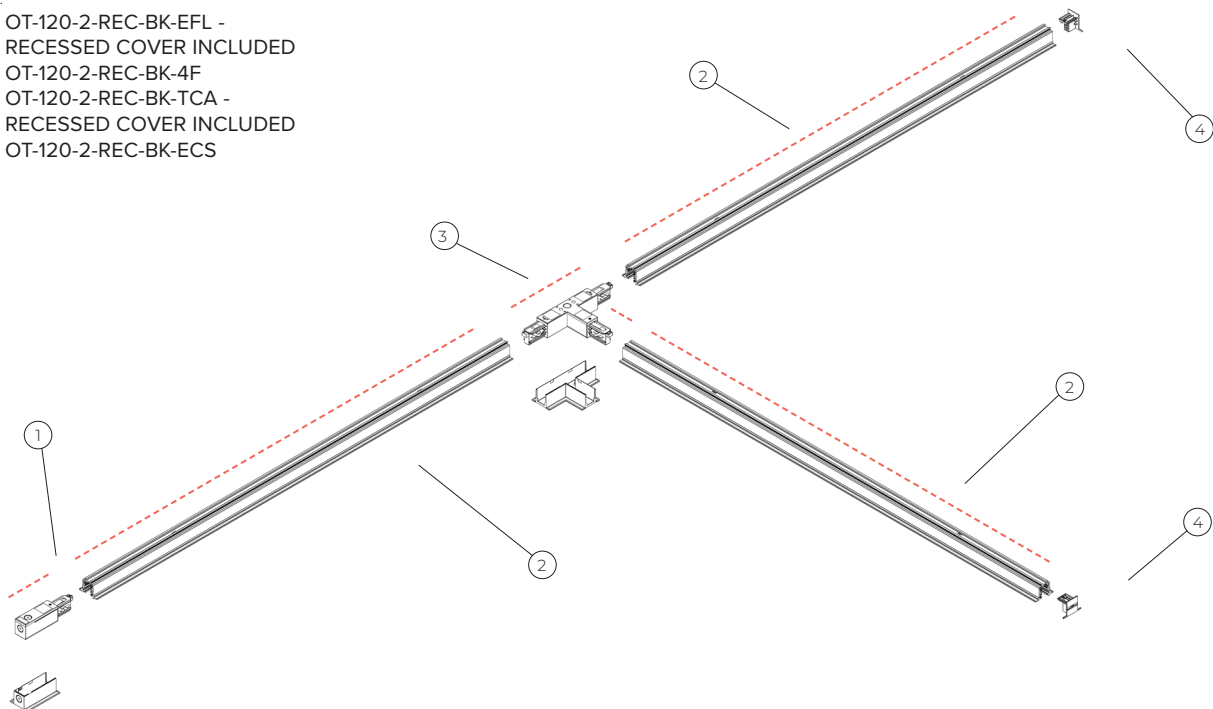
KEY:

1. OT-120-2-REC-BK-EFL - RECESSED COVER INCLUDED
2. OT-120-2-REC-BK-4F
3. OT-120-2-REC-BK-LCO - RECESSED COVER INCLUDED
4. OT-120-2-REC-BK-ECS



KEY:

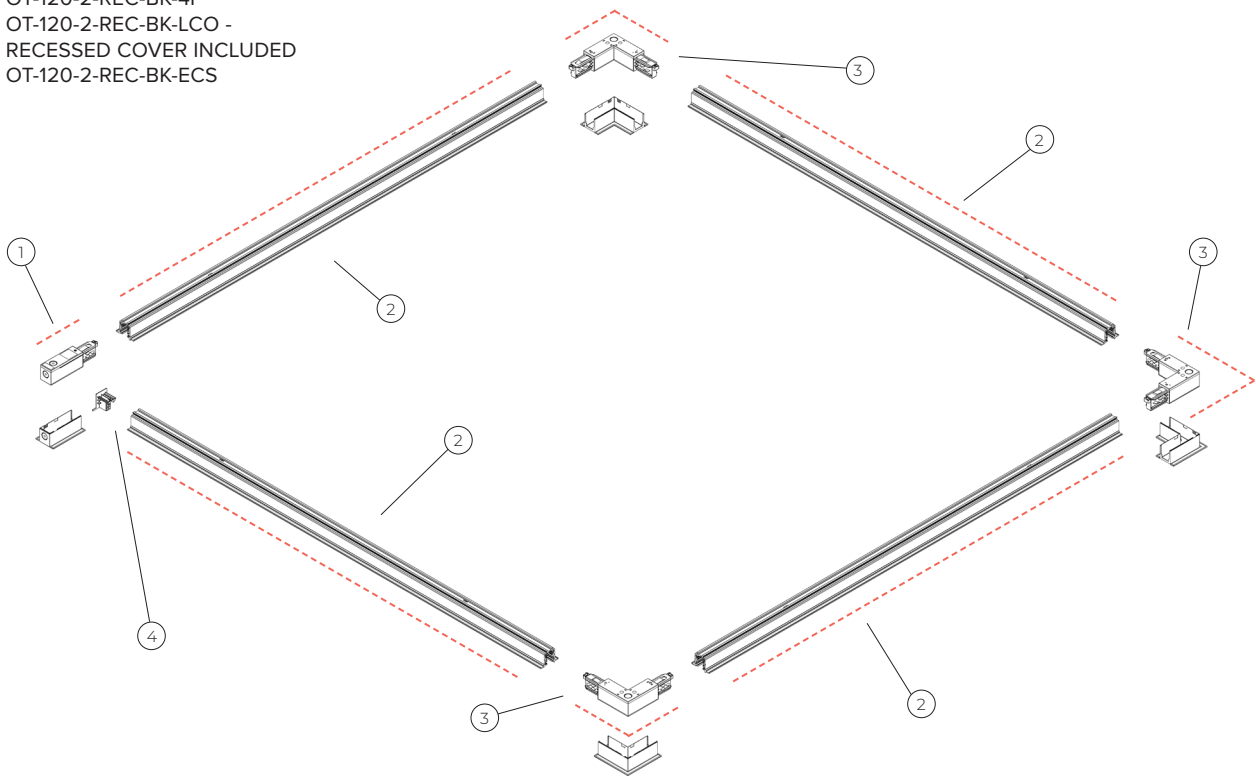
1. OT-120-2-REC-BK-EFL - RECESSED COVER INCLUDED
2. OT-120-2-REC-BK-4F
3. OT-120-2-REC-BK-TCA - RECESSED COVER INCLUDED
4. OT-120-2-REC-BK-ECS



Example layout diagrams

KEY:

1. OT-120-2-REC-BK-EFL -
RECESSED COVER INCLUDED
2. OT-120-2-REC-BK-4F
3. OT-120-2-REC-BK-LCO -
RECESSED COVER INCLUDED
4. OT-120-2-REC-BK-ECS



DOTTED LINE DENOTES POLARITY KEYED SIDE OF TRACK

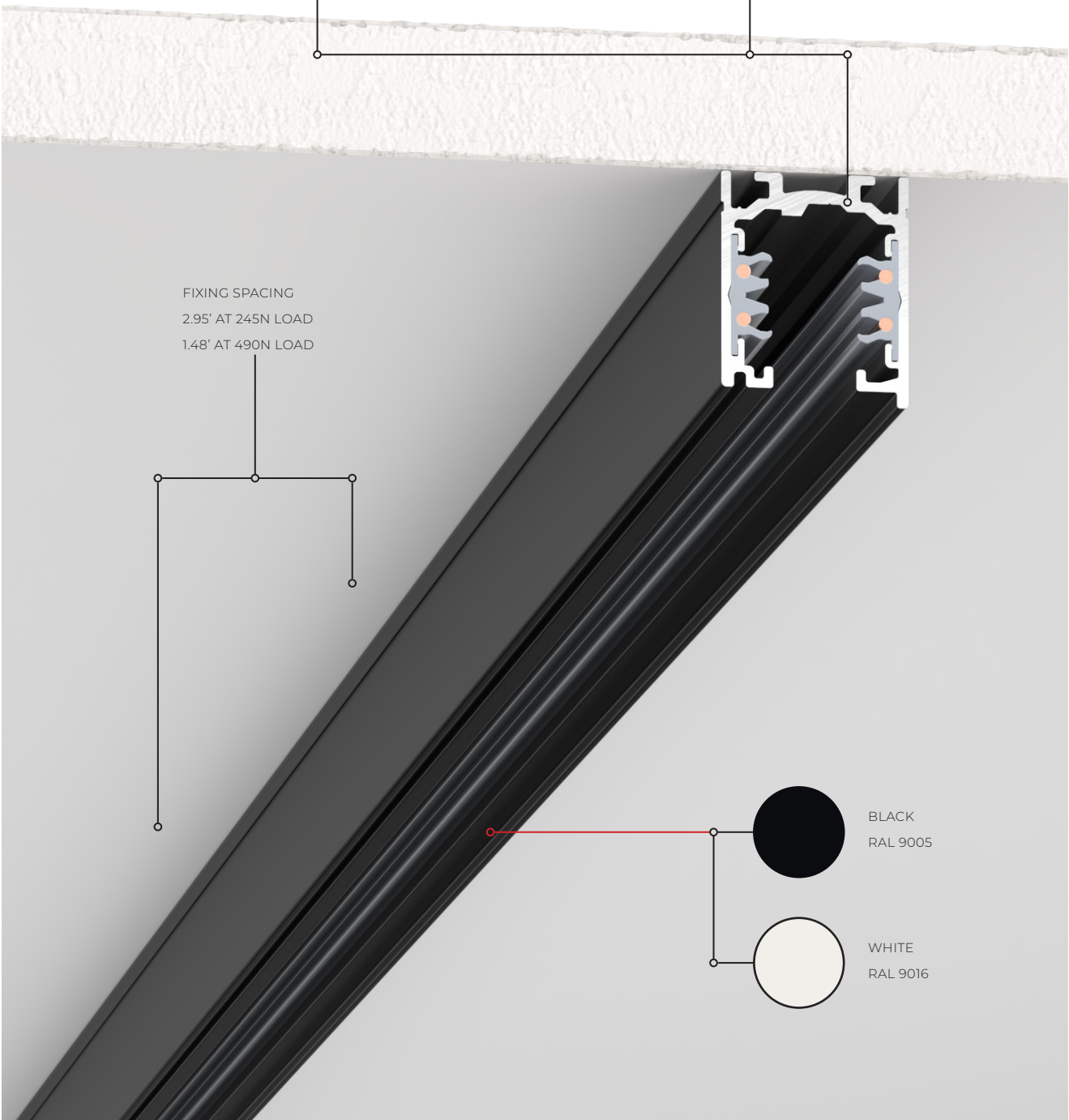
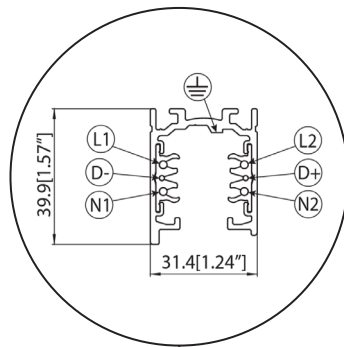
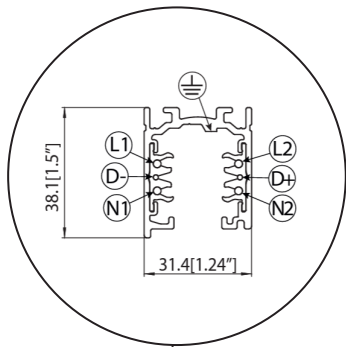
PLEASE ENSURE POLARITY REMAINS CONSISTENT THROUGHOUT TRACK SYSTEM



SURFACE

120V 2 CIRCUIT

277V 2 CIRCUIT



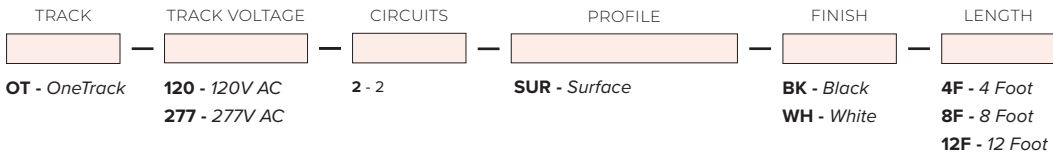
FIXING SPACING
2.95' AT 245N LOAD
1.48' AT 490N LOAD



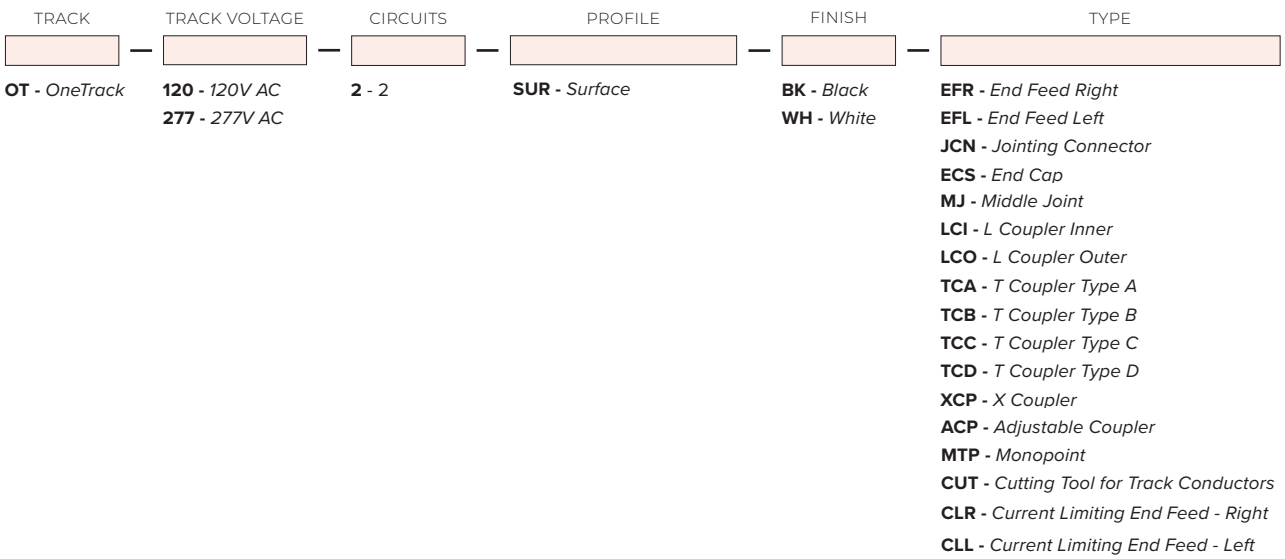
- BLACK
RAL 9005
- WHITE
RAL 9016

Surface Code Builder

TRACK



ACCESSORIES



CODE EXAMPLE

Track: OT-120-SUR-2-BK-4F
 Accessories: OT-120-SUR-2-BK-EFL

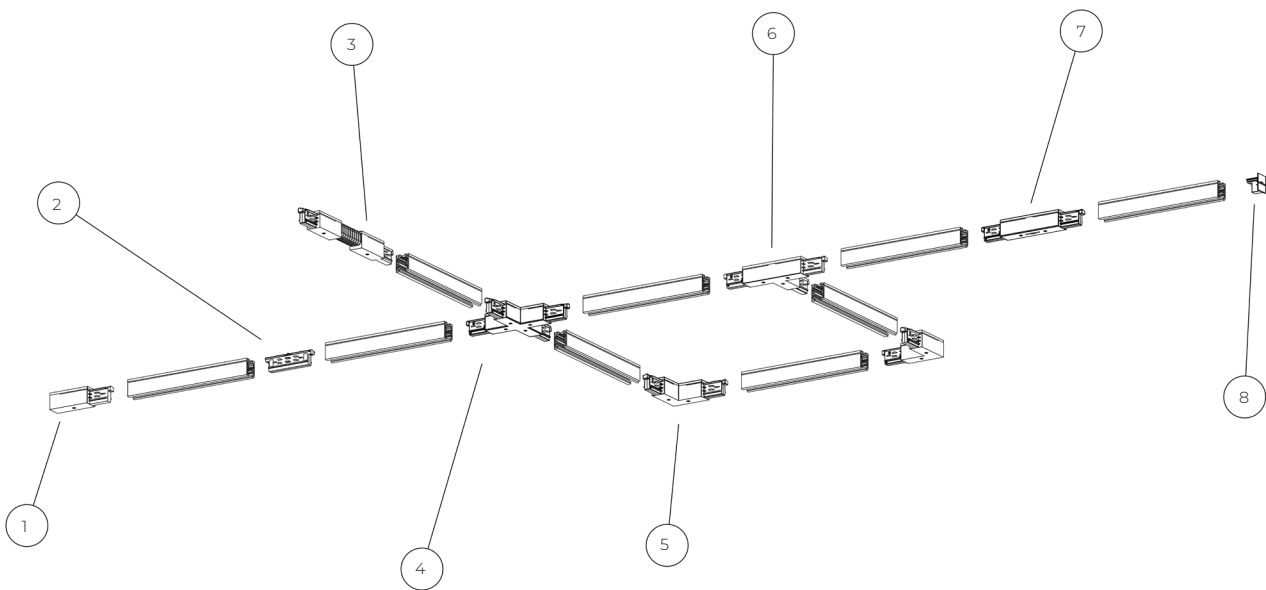
ONETRACK UL Surface 2 Circuit Track

Stucchi OneTrack UL Surface track is available in both 2 circuit 120V and 277V AC in lengths of 4 ft or 8 ft. It is a flexible 3 phase mixed system with two additional conductors for managing general data signals like DALI or 0 - 10V (1 - 10V). It is available in black and white finishes. The external body is made up of extruded aluminium, insulated in PVC with copper conductors.

IT SUPPORTS:

L1/L2/N1/N2/ground 2x120V/20A + D+/D- 2x1A/50V FELV AC (DALI)

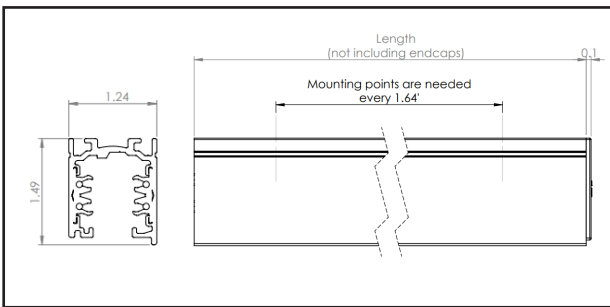
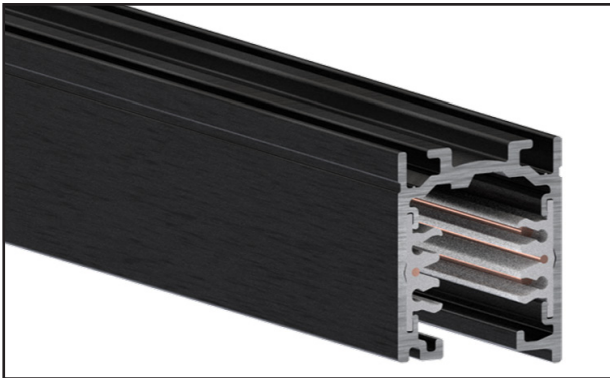
L1/L2/N1/N2/ground 2x277V/20A + D+/D- 2x1A/50V FELV AC (DALI)



KEY:

1. End Feed
2. Joining Connector - internal connector for track lengths
3. Adjustable Corner
4. X Feed
5. L Feed
6. T Feed
7. Middle Joint - connects track lengths
8. End Cap

ONETRACK UL Surface 120V 2 Circuit



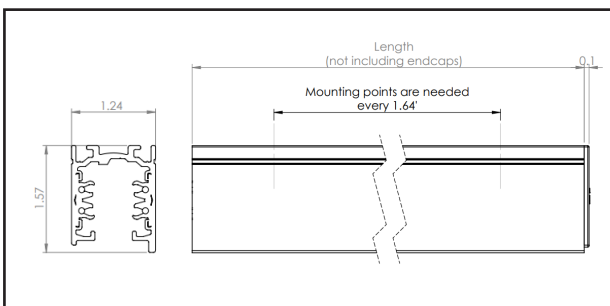
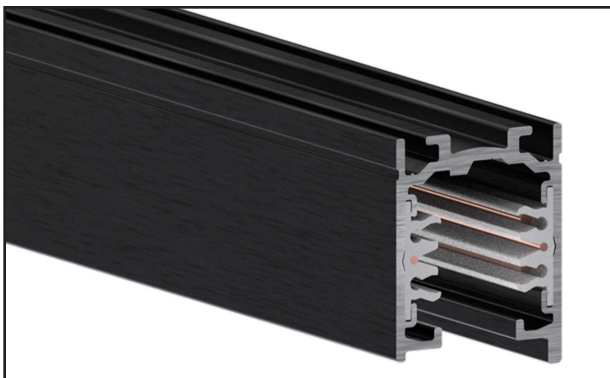
PHYSICAL

CONSTRUCTION MATERIALS:	Extruded aluminium profile; Insulated extruded PVC body Copper conductors
NO. CIRCUITS:	2x independent switchable circuits
DATA BUS:	Yes
WEIGHT:	2.65lbs (4 ft)
CUTTING:	Cutting to length on site possible

ORDER CODE

	4.0ft	8.0ft	12.0ft
White	OT-120-2-SUR-WH-4F	OT-120-2-SUR-WH-8F	OT-120-2-SUR-WH-12F
Black	OT-120-2-SUR-BK-4F	OT-120-2-SUR-BK-8F	OT-120-2-SUR-BK-12F

ONETRACK UL Surface 277V 2 Circuit



PHYSICAL

CONSTRUCTION MATERIALS:	Extruded aluminium profile; Insulated extruded PVC body Copper conductors
NO. CIRCUITS:	2x independent switchable circuits
DATA BUS:	Yes
WEIGHT:	2.65lbs (4 ft)
CUTTING:	Cutting to length on site possible

ORDER CODE

	4.0ft	8.0ft	12.0ft
White	OT-277-2-SUR-WH-4F	OT-277-2-SUR-WH-8F	OT-277-2-SUR-WH-12F
Black	OT-277-2-SUR-BK-4F	OT-277-2-SUR-BK-8F	OT-277-2-SUR-BK-12F

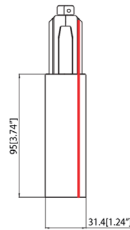
Surface Track Hardware Options

END FEEDS

END FEED FOR 2 CIRCUIT APPLICATION - RIGHT
Compatible with all tracks



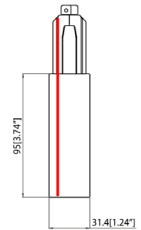
- BLACK:**
OT-120-2-SUR-BK-EFR
OT-277-2-SUR-BK-EFR
- WHITE:**
OT-120-2-SUR-WH-EFR
OT-277-2-SUR-WH-EFR



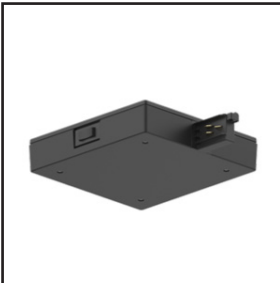
END FEED FOR 2 CIRCUIT APPLICATION - LEFT
Compatible with all tracks



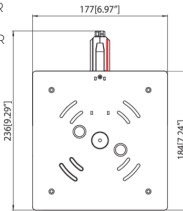
- BLACK:**
OT-120-2-SUR-BK-EFL
OT-277-2-SUR-BK-EFL
- WHITE:**
OT-120-2-SUR-WH-EFL
OT-277-2-SUR-WH-EFL



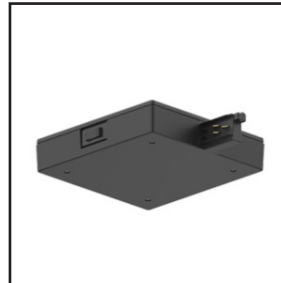
CURRENT LIMITING END FEED - RIGHT
Breaker to be purchased separately, refer to help page



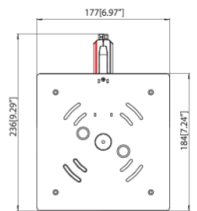
- BLACK:**
OT-120-2-SUR-BK-CLR
OT-277-2-SUR-BK-CLR
- WHITE:**
OT-120-2-SUR-WH-CLR
OT-277-2-SUR-WH-CLR



CURRENT LIMITING END FEED - LEFT
Breaker to be purchased separately, refer to help page

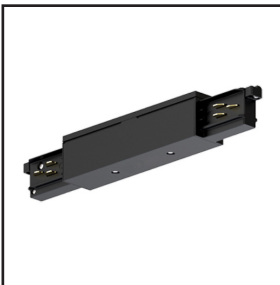


- BLACK:**
OT-120-2-SUR-BK-CLL
OT-277-2-SUR-BK-CLL
- WHITE:**
OT-120-2-SUR-WH-CLL
OT-277-2-SUR-WH-CLL

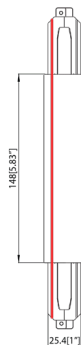


COUPLERS

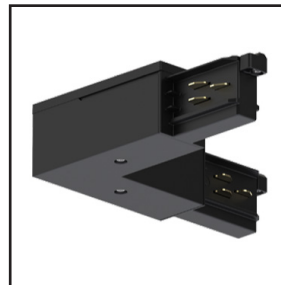
MIDDLE JOINT FOR 2 CIRCUIT APPLICATION
Compatible with all tracks



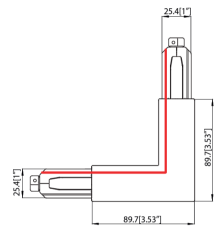
- BLACK:**
OT-120-2-SUR-BK-MJ
OT-277-2-SUR-BK-MJ
- WHITE:**
OT-120-2-SUR-WH-MJ
OT-277-2-SUR-WH-MJ



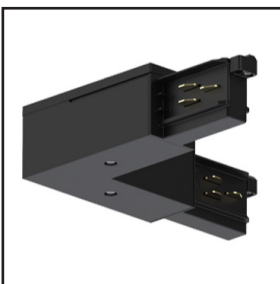
L FEED FOR 2 CIRCUIT APPLICATION - INNER
Compatible with all tracks



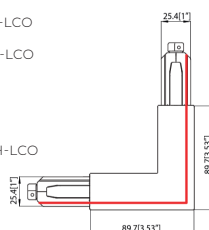
- L BLACK:**
OT-120-2-SUR-BK-LCI
OT-277-2-SUR-BK-LCI
- WHITE:**
OT-120-2-SUR-WH-LCI
OT-277-2-SUR-WH-LCI



L FEED FOR 2 CIRCUIT APPLICATION - OUTER
Compatible with all tracks



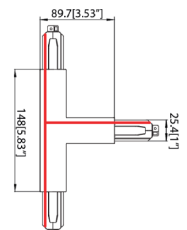
- BLACK:**
OT-120-2-SUR-BK-LCO
OT-277-2-SUR-BK-LCO
- WHITE:**
OT-120-2-SUR-WH-LCO
OT-277-2-SUR-WH-LCO



T FEED FOR 2 CIRCUIT APPLICATION - TYPE A
Compatible with all tracks



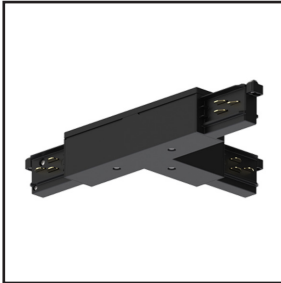
- BLACK:**
OT-120-2-SUR-BK-TCA
OT-277-2-SUR-BK-TCA
- WHITE:**
OT-120-2-SUR-WH-TCA
OT-277-2-SUR-WH-TCA



Surface Track Hardware Options

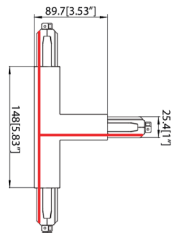
COUPLERS

T FEED FOR 2 CIRCUIT APPLICATION - TYPE B
Compatible with all tracks

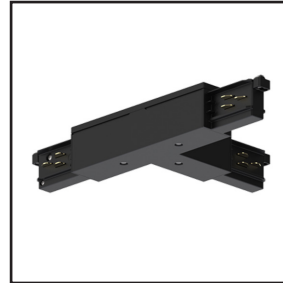


BLACK:
OT-120-2-SUR-BK-TCB
OT-277-2-SUR-BK-TCB

WHITE:
OT-120-2-SUR-WH-TCB
OT-277-2-SUR-WH-TCB

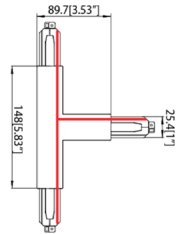


T FEED FOR 2 CIRCUIT APPLICATION - TYPE C
Compatible with all tracks

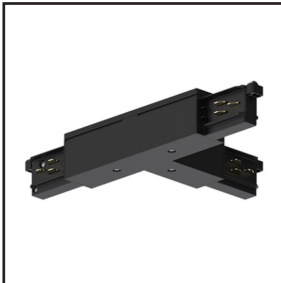


BLACK:
OT-120-2-SUR-BK-TCC
OT-277-2-SUR-BK-TCC

WHITE:
OT-120-2-SUR-WH-TCC
OT-277-2-SUR-WH-TCC

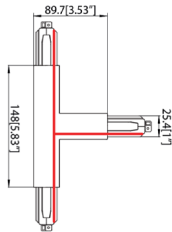


T FEED FOR 2 CIRCUIT APPLICATION - TYPE D
Compatible with all tracks



BLACK:
OT-120-2-SUR-BK-TCD
OT-277-2-SUR-BK-TCD

WHITE:
OT-120-2-SUR-WH-TCD
OT-277-2-SUR-WH-TCD

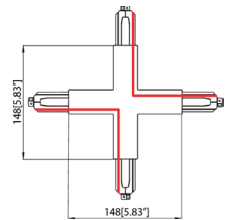


X FEED FOR 2 CIRCUIT APPLICATION
Compatible with all tracks



BLACK:
OT-120-2-SUR-BK-XCP
OT-277-2-SUR-BK-XCP

WHITE:
OT-120-2-SUR-WH-XCP
OT-277-2-SUR-WH-XCP



ADJUSTABLE CORNER FOR 2 CIRCUIT APPLICATION
Compatible with all tracks



BLACK:
OT-120-2-SUR-BK-ACP
OT-277-2-SUR-BK-ACP

WHITE:
OT-120-2-SUR-WH-ACP
OT-277-2-SUR-WH-ACP

JOINTING CONNECTOR
Compatible with all tracks



BLACK:
OT-120-2-SUR-BK-JCN
OT-277-2-SUR-BK-JCN

WHITE:
OT-120-2-SUR-WH-JCN
OT-277-2-SUR-WH-JCN

ADDITIONAL ACCESSORIES

END CAP
Compatible with all tracks



BLACK:
OT-120-2-SUR-BK-ECS
OT-277-2-SUR-BK-ECS

WHITE:
OT-120-2-SUR-WH-ECS
OT-277-2-SUR-WH-ECS

MONOPOINT



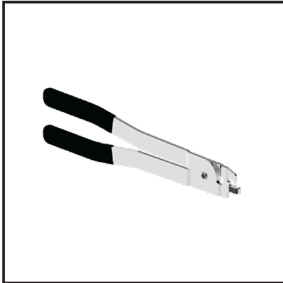
BLACK:
OT-120-2-SUR-BK-MPT
OT-277-2-SUR-BK-MPT

WHITE:
OT-120-2-SUR-WH-MPT
OT-277-2-SUR-WH-MPT

Surface Track Hardware Options

ADDITIONAL ACCESSORIES

CUTTING TOOL FOR TRACK CONDUCTORS
Compatible with all track options



BLACK:

OT-120-2-SUR-BK-CUT

OT-277-2-SUR-BK-CUT

WHITE:

OT-120-2-SUR-WH-CUT

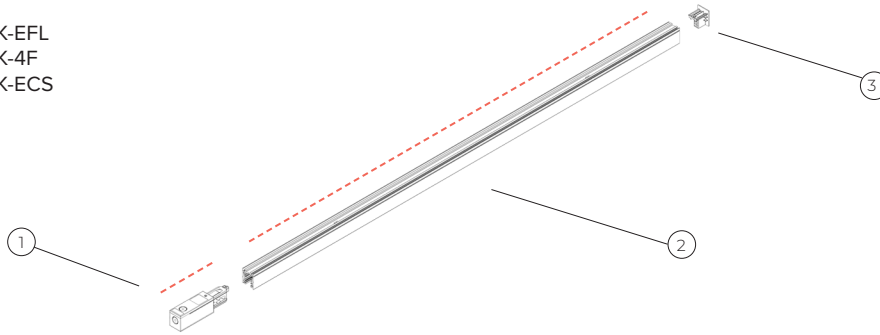
OT-277-2-SUR-WH-CUT

SURFACE

Example layout diagrams

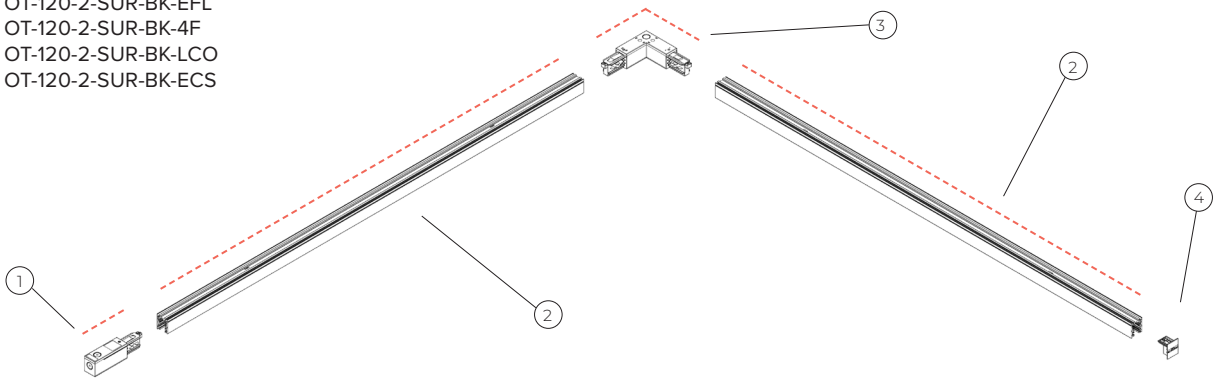
KEY:

1. OT-120-2-SUR-BK-EFL
2. OT-120-2-SUR-BK-4F
3. OT-120-2-SUR-BK-ECS



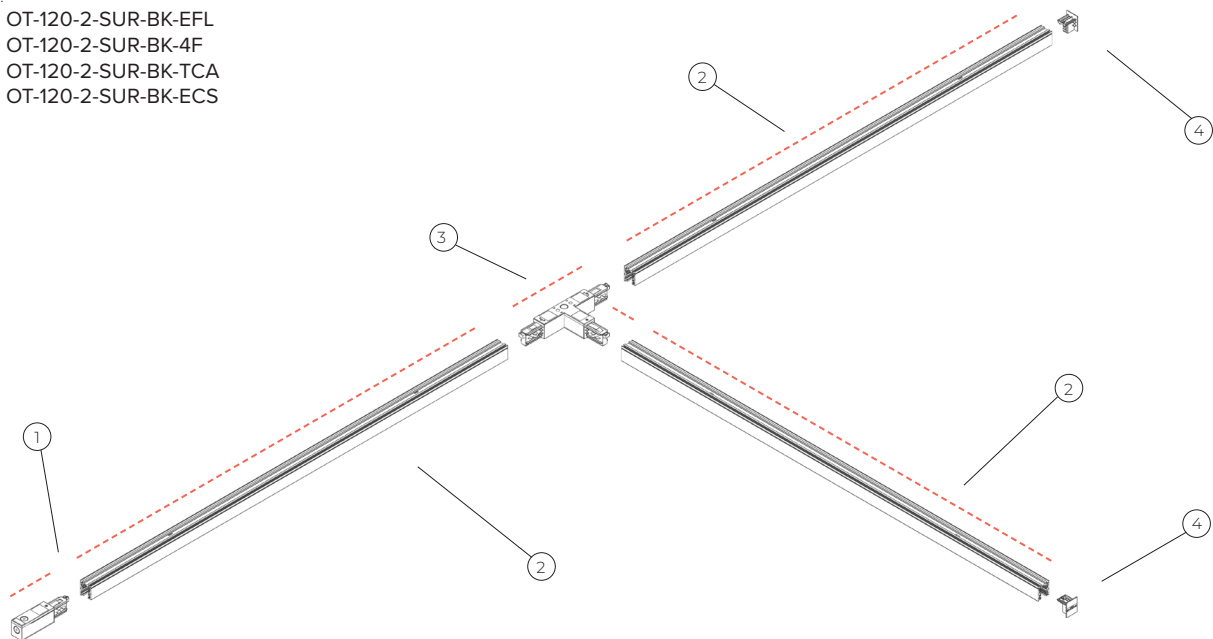
KEY:

1. OT-120-2-SUR-BK-EFL
2. OT-120-2-SUR-BK-4F
3. OT-120-2-SUR-BK-LCO
4. OT-120-2-SUR-BK-ECS



KEY:

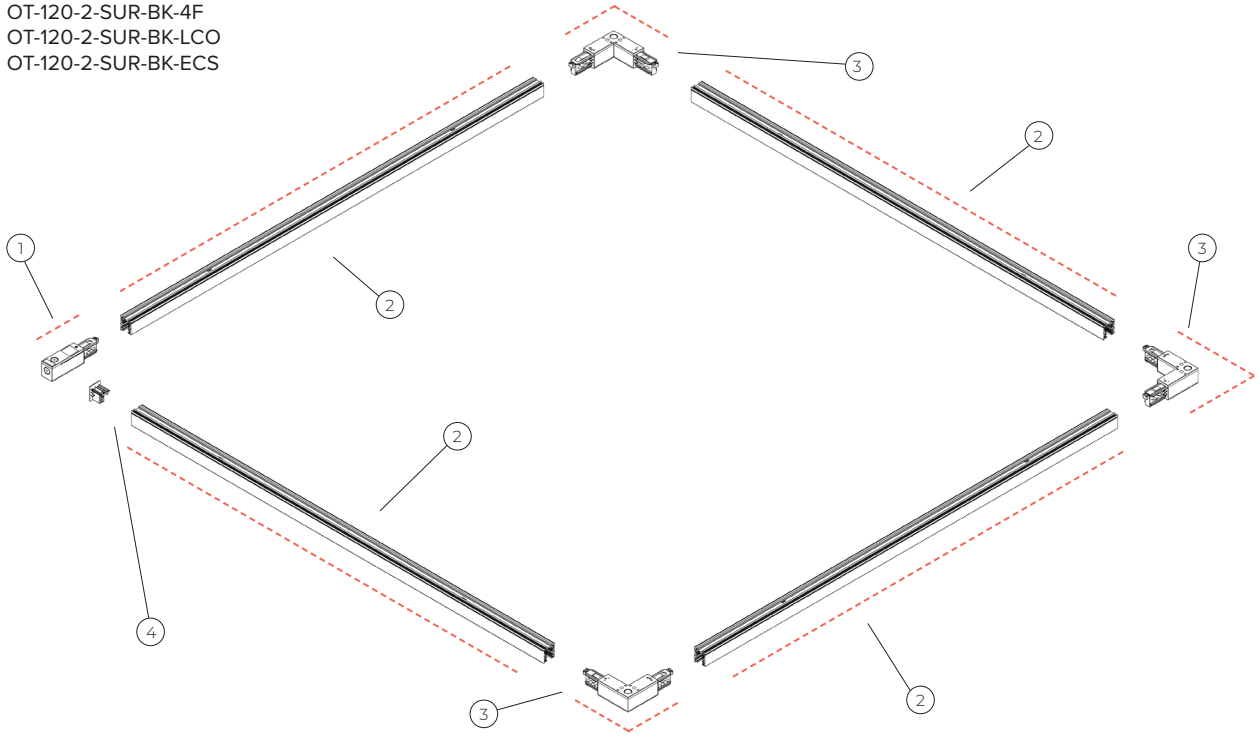
1. OT-120-2-SUR-BK-EFL
2. OT-120-2-SUR-BK-4F
3. OT-120-2-SUR-BK-TCA
4. OT-120-2-SUR-BK-ECS



Example layout diagrams

KEY:

1. OT-120-2-SUR-BK-EFL
2. OT-120-2-SUR-BK-4F
3. OT-120-2-SUR-BK-LCO
4. OT-120-2-SUR-BK-ECS



DOTTED LINE DENOTES POLARITY KEYED SIDE OF TRACK

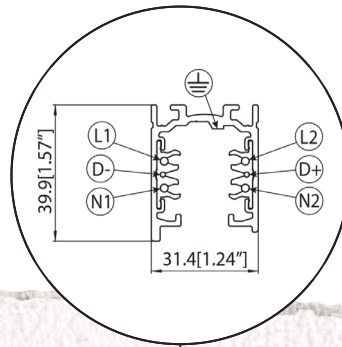
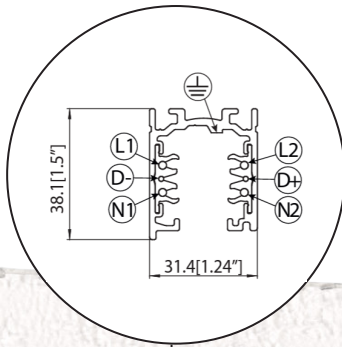
PLEASE ENSURE POLARITY REMAINS CONSISTENT THROUGHOUT TRACK SYSTEM



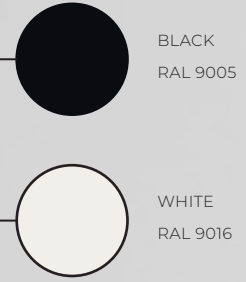
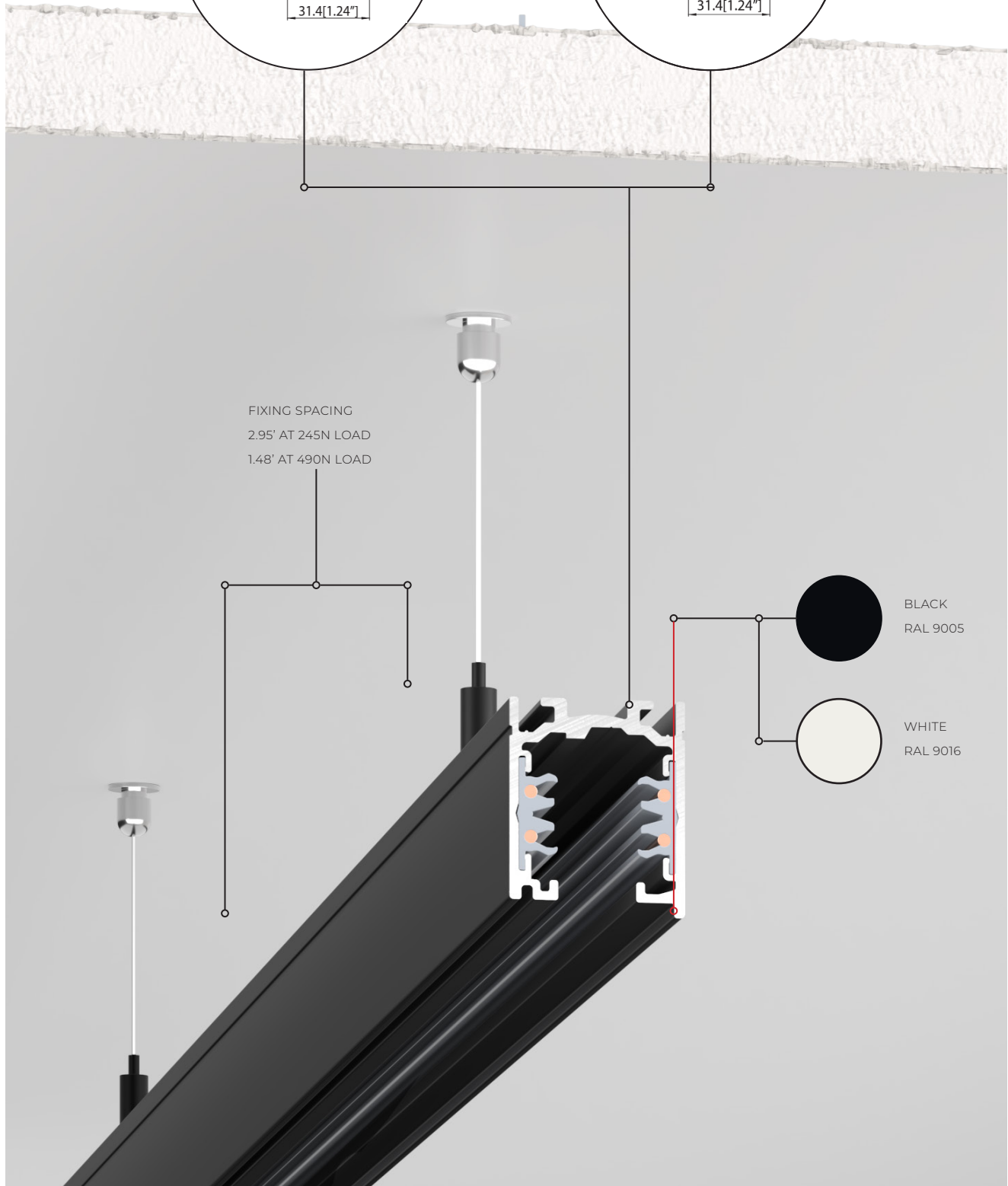
SUSPENDED

120V 2 CIRCUIT

277V 2 CIRCUIT



FIXING SPACING
2.95' AT 245N LOAD
1.48' AT 490N LOAD



Suspended Code Builder

TRACK

TRACK	TRACK VOLTAGE	CIRCUITS	PROFILE	FINISH	LENGTH
OT - OneTrack	120 - 120V AC 277 - 277V AC	2 - 2	SUS - Suspended	BK - Black WH - White	4F - 4 Foot 8F - 8 Foot 12F - 12 Foot



ACCESSORIES

TRACK	TRACK VOLTAGE	CIRCUITS	PROFILE	FINISH	TYPE
OT - OneTrack	120 - 120V AC 277 - 277V AC	2 - 2	SUS - Suspended	BK - Black WH - White	EFR - End Feed Right EFL - End Feed Left JCN - Jointing Connector ECS - End Cap MJ - Middle Joint LCI - L Coupler Inner LCO - L Coupler Outer TCA - T Coupler Type A TCB - T Coupler Type B TCC - T Coupler Type C TCD - T Coupler Type D XCP - X Coupler ACP - Adjustable Coupler CUT - Cutting Tool for Track Conductors CLR - Current Limiting End Feed - Right CLL - Current Limiting End Feed - Left SC1 - Steel Cable Suspension Set 36" SC2 - Steel Cable Suspension Set 120" SC11 - Steel Cable Suspension Set w. Cable lock 36" SC12 - Steel Cable Suspension Set w. Cable lock 120" SST - Solid Stem Suspension Set S47 - Stem 47 Inch C59 - Cable Suspension Kit 8 1.5 C118 - Cable Suspension Kit 8 3 CPE - Short Pendant Bracket for Suspension

PARTIALLY SILVER FINISH

CODE EXAMPLE

Track: OT-120-SUS-2-BK-4F
 Accessories: OT-120-SUS-2-BK-EFL

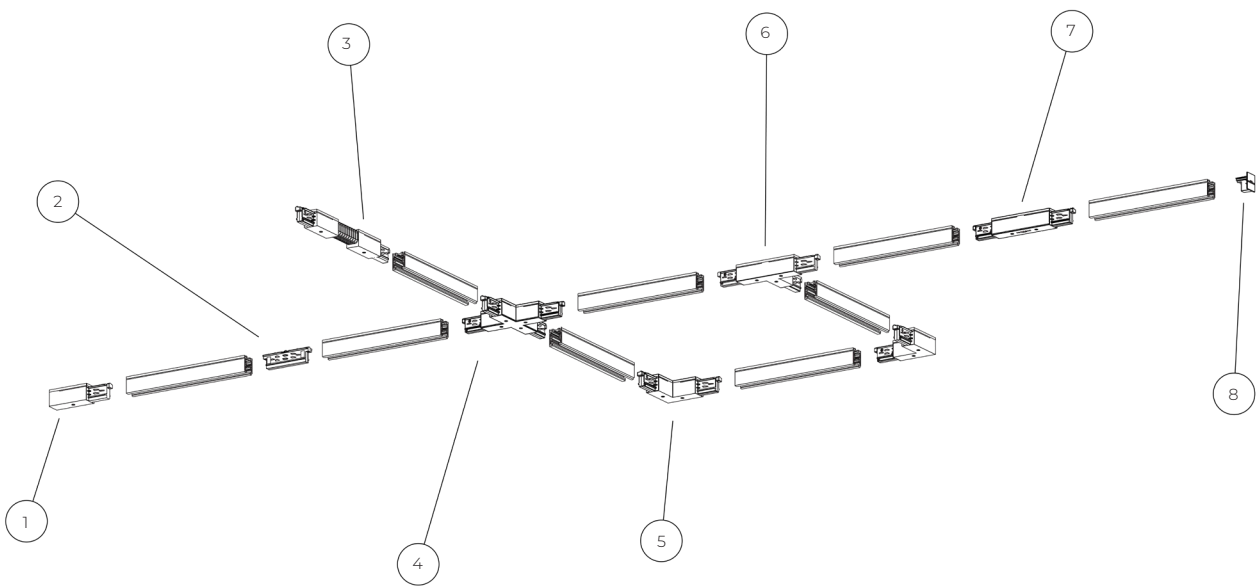
ONETRACK UL Suspended 2 Circuit Track

Stucchi OneTrack UL Suspended track is available in both 2 circuit 120V and 277V AC in lengths of 4 ft or 8ft. It is a flexible 3 phase mixed system with two additional conductors for managing general data signals like DALI or 0 - 10V (1 – 10V). It is available in black and white finishes. The external body is made up of extruded aluminium, insulated in PVC with copper conductors.

It supports:

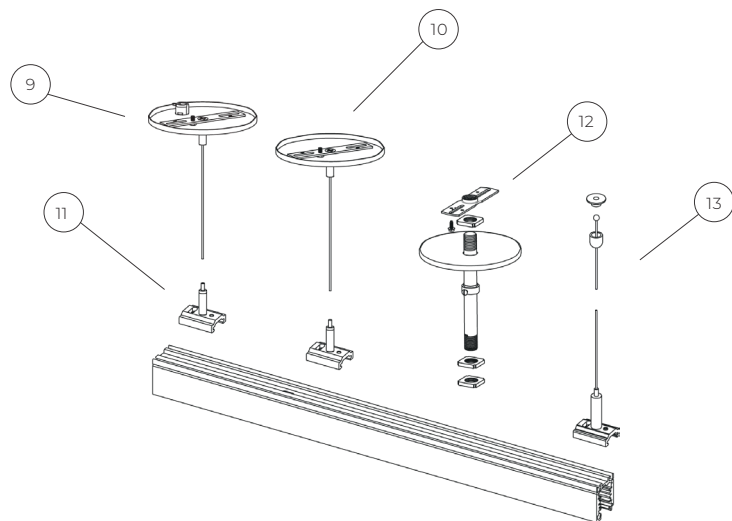
L1/L2/N1/N2/ground 2x120V/20A + D+/D- 2x1A/50V FELV AC (DALI)

L1/L2/N1/N2/ground 2x277V/20A + D+/D- 2x1A/50V FELV AC (DALI)

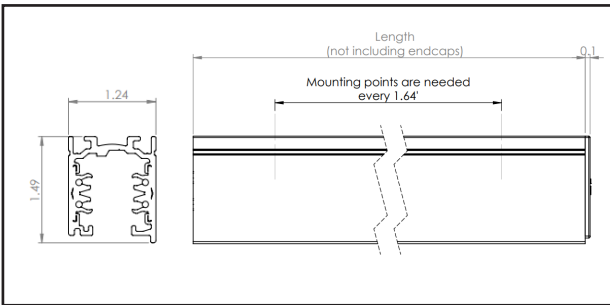
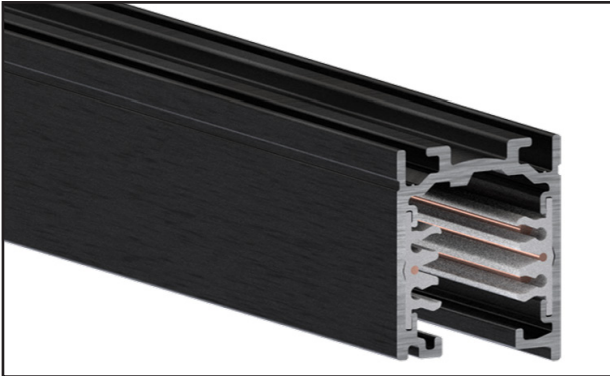


KEY:

- 1. End Feed
- 2. Joining Connector- internal connector for track lengths
- 3. Adjustable Corner
- 4. X Feed
- 5. L Feed
- 6. T Feed
- 7. Middle Joint - connects track lengths
- 8. End Cap
- 9. Steel Cable Suspension Set with Cable Lock
- 10. Steel Cable Suspension Set
- 11. Short Pendant Bracket for Suspension
- 12. Solid Stem Suspension (stem separate)
- 13. Suspension Kit 8



ONETRACK UL Suspended 120V 2 Circuit



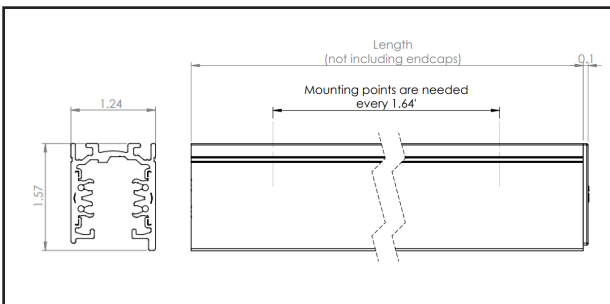
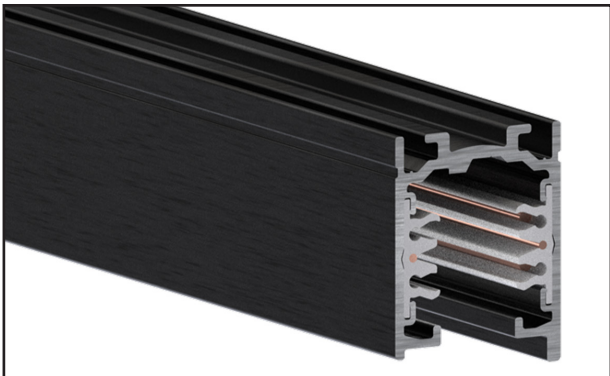
PHYSICAL

CONSTRUCTION MATERIALS:	Extruded aluminium profile; Insulated extruded PVC body Copper conductors
NO. CIRCUITS:	2x independent switchable circuits
DATA BUS:	Yes
WEIGHT:	2.65lbs (4 ft)
CUTTING:	Cutting to length on site possible

ORDER CODE

	4.0ft	8.0ft	12.0ft
White	OT-120-2-SUS-WH-4F	OT-120-2-SUS-WH-8F	OT-120-2-SUS-WH-12F
Black	OT-120-2-SUS-BK-4F	OT-120-2-SUS-BK-8F	OT-120-2-SUS-BK-12F

ONETRACK UL Suspended 277V 2 Circuit



PHYSICAL

CONSTRUCTION MATERIALS:	Extruded aluminium profile; Insulated extruded PVC body Copper conductors
NO. CIRCUITS:	2x independent switchable circuits
DATA BUS:	Yes
WEIGHT:	2.65lbs (4 ft)
CUTTING:	Cutting to length on site possible

ORDER CODE

	4.0ft	8.0ft	12.0ft
White	OT-277-2-SUS-WH-4F	OT-277-2-SUS-WH-8F	OT-277-2-SUS-WH-12F
Black	OT-277-2-SUS-BK-4F	OT-277-2-SUS-BK-8F	OT-277-2-SUS-BK-12F

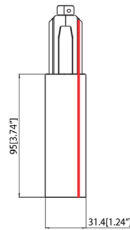
Suspended Track Hardware Options

END FEEDS

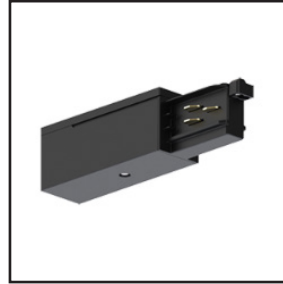
END FEED FOR 2 CIRCUIT APPLICATION - RIGHT
Compatible with all tracks



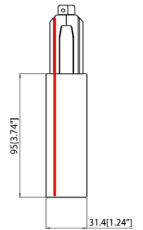
- BLACK:**
OT-120-2-SUS-BK-EFR
OT-277-2-SUS-BK-EFR
- WHITE:**
OT-120-2-SUS-WH-EFR
OT-277-2-SUS-WH-EFR



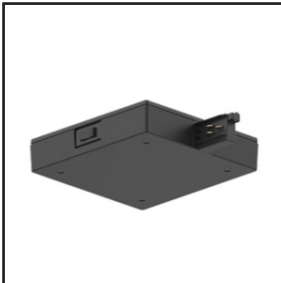
END FEED FOR 2 CIRCUIT APPLICATION - LEFT
Compatible with all tracks



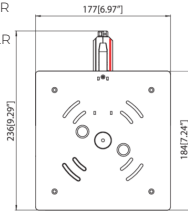
- BLACK:**
OT-120-2-SUS-BK-EFL
OT-277-2-SUS-BK-EFL
- WHITE:**
OT-120-2-SUS-WH-EFL
OT-277-2-SUS-WH-EFL



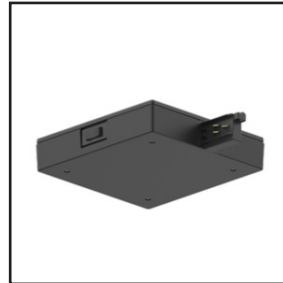
CURRENT LIMITING END FEED - RIGHT
Breaker to be purchased separately, refer to help page



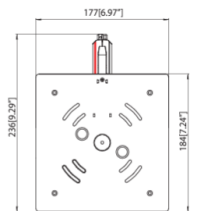
- BLACK:**
OT-120-2-SUS-BK-CLR
OT-277-2-SUS-BK-CLR
- WHITE:**
OT-120-2-SUS-WH-CLR
OT-277-2-SUS-WH-CLR



CURRENT LIMITING END FEED - LEFT
Breaker to be purchased separately, refer to help page

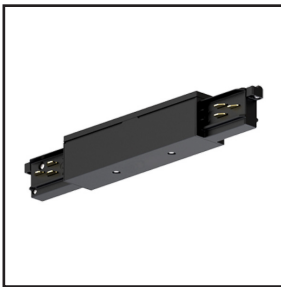


- BLACK:**
OT-120-2-SUS-BK-CLL
OT-277-2-SUS-BK-CLL
- WHITE:**
OT-120-2-SUS-WH-CLL
OT-277-2-SUS-WH-CLL

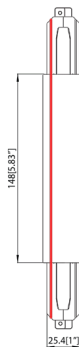


COUPLERS

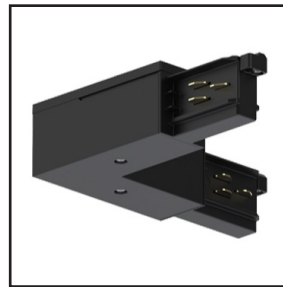
MIDDLE JOINT FOR 2 CIRCUIT APPLICATION
Compatible with all tracks



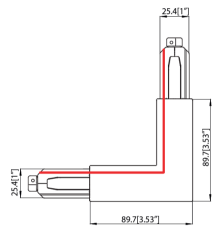
- BLACK:**
OT-120-2-SUS-BK-MJ
OT-277-2-SUS-BK-MJ
- WHITE:**
OT-120-2-SUS-WH-MJ
OT-277-2-SUS-WH-MJ



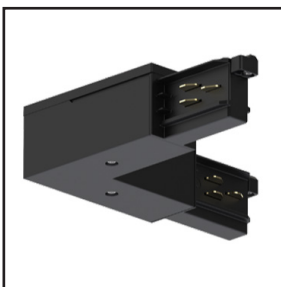
L FEED FOR 2 CIRCUIT APPLICATION - INNER
Compatible with all tracks



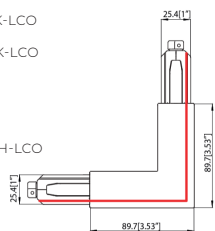
- BLACK:**
OT-120-2-SUS-BK-LCI
OT-277-2-SUS-BK-LCI
- WHITE:**
OT-120-2-SUS-WH-LCI
OT-277-2-SUS-WH-LCI



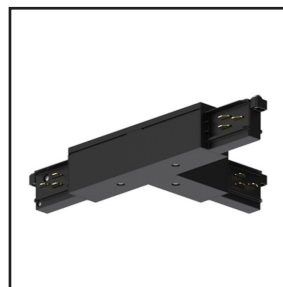
L FEED FOR 2 CIRCUIT APPLICATION - OUTER
Compatible with all tracks



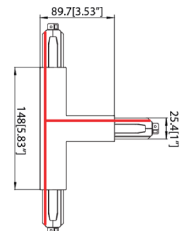
- BLACK:**
OT-120-2-SUS-BK-LCO
OT-277-2-SUS-BK-LCO
- WHITE:**
OT-120-2-SUS-WH-LCO
OT-277-2-SUS-WH-LCO



T FEED FOR 2 CIRCUIT APPLICATION - TYPE A
Compatible with all tracks



- BLACK:**
OT-120-2-SUS-BK-TCA
OT-277-2-SUS-BK-TCA
- WHITE:**
OT-120-2-SUS-WH-TCA
OT-277-2-SUS-WH-TCA

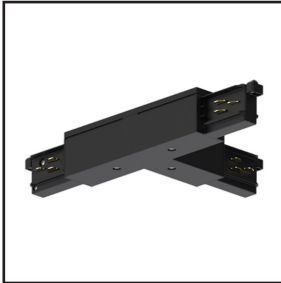


SUSPENDED

Suspended Track Hardware Options

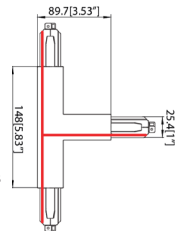
COUPLERS

T FEED FOR 2 CIRCUIT APPLICATION
Compatible with all tracks

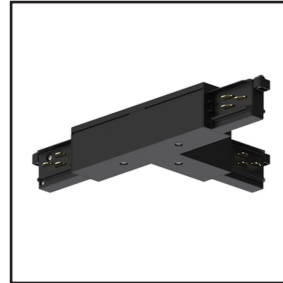


BLACK:
OT-120-2-SUS-BK-TCB
OT-277-2-SUS-BK-TCB

WHITE:
OT-120-2-SUS-WH-TCB
OT-277-2-SUS-WH-TCB

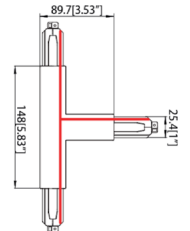


T FEED FOR 2 CIRCUIT APPLICATION
Compatible with all tracks



BLACK:
OT-120-2-SUS-BK-TCC
OT-277-2-SUS-BK-TCC

WHITE:
OT-120-2-SUS-WH-TCC
OT-277-2-SUS-WH-TCC

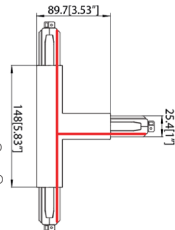


T FEED FOR 2 CIRCUIT APPLICATION
Compatible with all tracks



BLACK:
OT-120-2-SUS-BK-TCD
OT-277-2-SUS-BK-TCD

WHITE:
OT-120-2-SUS-WH-TCD
OT-277-2-SUS-WH-TCD

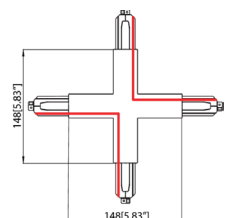


X FEED FOR 2 CIRCUIT APPLICATION
Compatible with all tracks



BLACK:
OT-120-2-SUS-BK-XCP
OT-277-2-SUS-BK-XCP

WHITE:
OT-120-2-SUS-WH-XCP
OT-277-2-SUS-WH-XCP



ADJUSTABLE CORNER FOR 2 CIRCUIT APPLICATION
Compatible with all tracks - 9018/B-2C - 9018/W-2C



BLACK:
OT-120-2-SUS-BK-ACP
OT-277-2-SUS-BK-ACP

WHITE:
OT-120-2-SUS-WH-ACP
OT-277-2-SUS-WH-ACP

JOINTING CONNECTOR
Compatible with all tracks



BLACK:
OT-120-2-SUS-BK-JCN
OT-277-2-SUS-BK-JCN

WHITE:
OT-120-2-SUS-WH-JCN
OT-277-2-SUS-WH-JCN

ADDITIONAL ACCESSORIES

END CAP
Compatible with all tracks



BLACK:
OT-120-2-SUS-BK-ECS
OT-277-2-SUS-BK-ECS

WHITE:
OT-120-2-SUS-WH-ECS
OT-277-2-SUS-WH-ECS

CUTTING TOOL FOR TRACK CONDUCTORS
Compatible with all track options



BLACK:
OT-120-2-SUS-BK-CUT
OT-277-2-SUS-BK-CUT

WHITE:
OT-120-2-SUS-WH-CUT
OT-277-2-SUS-WH-CUT

Suspended Track Hardware Options

SUSPENSION OPTIONS

SUSPENDED

STEEL CABLE SUSPENSION SET
Requires short pendant bracket for suspension



BLACK:
36 INCH:
OT-120-2-SUS-BK-SC1
OT-277-2-SUS-BK-SC1
120 INCH:
OT-120-2-SUS-BK-SC2
OT-277-2-SUS-BK-SC2

INCLUDES:

- Mounting bracket
- Metal cup
- Steel finish cable

WHITE:
36 INCH:
OT-120-2-SUS-WH-SC1
OT-277-2-SUS-WH-SC1
120 INCH:
OT-120-2-SUS-WH-SC2
OT-277-2-SUS-WH-SC2

⚠ PLEASE NOTE NOT ALL PARTS ARE OF BLACK/ WHITE FINISH

STEEL CABLE SUSPENSION SET WITH CABLE LOCK
Requires short pendant bracket for suspension



BLACK:
36 INCH:
OT-120-2-SUS-BK-SCL1
OT-277-2-SUS-BK-SCL1
120 INCH:
OT-120-2-SUS-BK-SCL2
OT-277-2-SUS-BK-SCL2

INCLUDES:

- Mounting bracket
- Metal cup
- Steel finish cable
- Cable lock

WHITE:
36 INCH:
OT-120-2-SUS-WH-SCL1
OT-277-2-SUS-WH-SCL1
120 INCH:
OT-120-2-SUS-WH-SCL2
OT-277-2-SUS-WH-SCL2

⚠ PLEASE NOTE NOT ALL PARTS ARE OF BLACK/ WHITE FINISH

SHORT PENDANT BRACKET FOR SUSPENSION
To be provided as an assembly



BLACK:
OT-120-2-SUS-BK-CPE
OT-277-2-SUS-BK-CPE

WHITE:
OT-120-2-SUS-WH-CPE
OT-277-2-SUS-WH-CPE

INCLUDES:

- Short pendant bracket
- Automatic M5 gripper (steel finish)
- Set screw for gripper on the bracket

⚠ PLEASE NOTE NOT ALL PARTS ARE OF BLACK/ WHITE FINISH

SUSPENSION KIT 8
Compatible with surface and suspended track



BLACK:
4 FT 9":
OT-120-2-SUS-BK-C59
OT-277-2-SUS-BK-C59
9 FT 8":
OT-120-2-SUS-BK-C118
OT-277-2-SUS-BK-C118

WHITE:
4 FT 9":
OT-120-2-SUS-WH-C59
OT-277-2-SUS-WH-C59
9 FT 8":
OT-120-2-SUS-WH-C118
OT-277-2-SUS-WH-C118

INCLUDES:

- Round head ceiling attachment
- Ø 0.06" steel finish cable with spherical end.
- Bracket with automatic gripper

⚠ PLEASE NOTE NOT ALL PARTS ARE OF BLACK/ WHITE FINISH

Suspended Track Hardware Options

SUSPENSION OPTIONS

SOLID STEM SUSPENSION SET Stem to be added separately

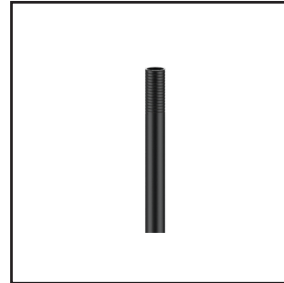


BLACK:
OT-120-2-SUS-BK-SST
OT-277-2-SUS-BK-SST

WHITE:
OT-120-2-SUS-WH-SST
OT-277-2-SUS-WH-SST

- INCLUDES:**
- Crossbar
 - Metal cup
 - Mounting bracket

STEM To be added to Solid Stem Suspension Set



BLACK:
48":
OT-120-2-SUS-BK-S48
OT-277-2-SUS-BK-S48

WHITE:
48":
OT-120-2-SUS-WH-S48
OT-277-2-SUS-WH-S48

SUSPENDED

Suspension Loading Information

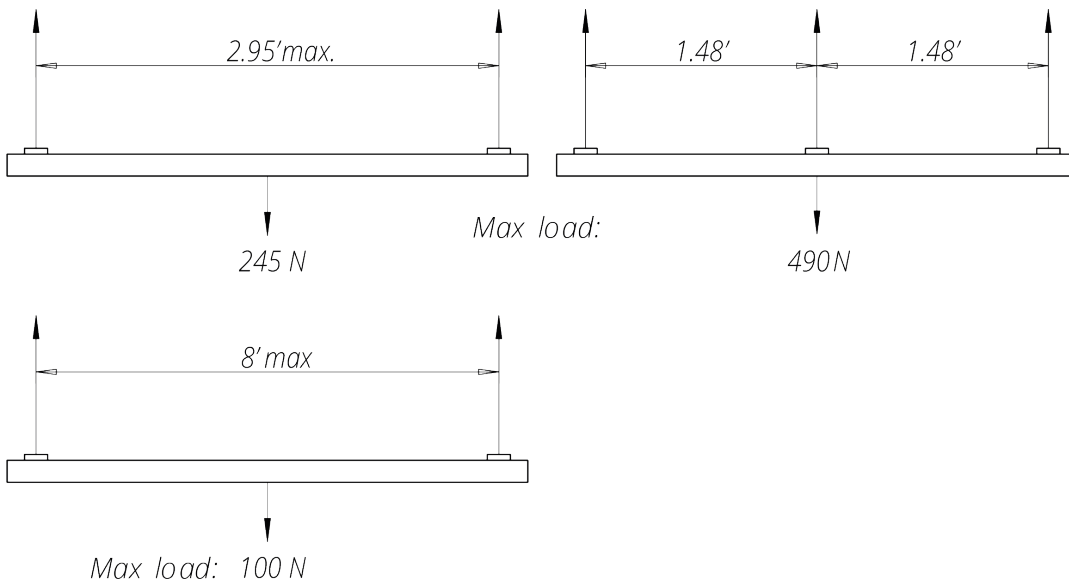


TABLE OF RCL FIXTURE WEIGHTS:

FIXTURE	WEIGHT
DRX1	11.8N
DRX2	18.7N

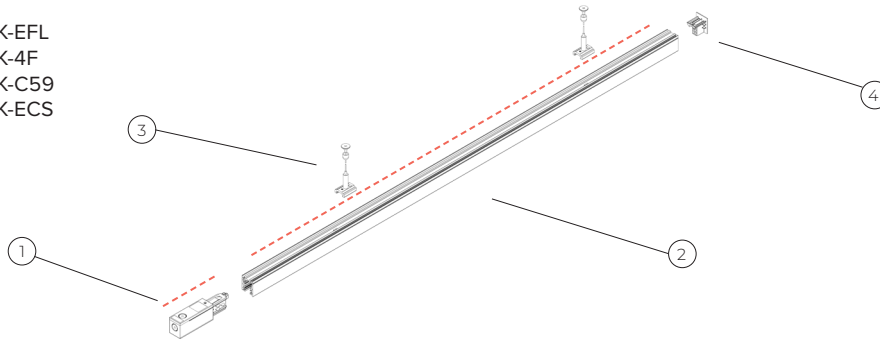
KEY POINTS:

- Read all instructions.
- Do not install this track in damp or wet locations.
- Do not install any part of a track system less than 5ft above the floor.
- Do not install any fixture assembly closer than 6in from any curtain or similar combustible material.
- Disconnect electrical power before adding to or changing the configuration of the track.
- Do not attempt to energize anything other than lighting track fixtures on the track.
- To reduce the risk of fire and electrical shock, do not attempt to connect any power tools, extension cords, appliances, or the like to the track.
- The system is UL 1574 certified and its installation must be done by specialized personnel only.
- The track can be surface mounted using the mounting holes on the track, hanging by suspension or recessed without exceeding the maximum loads.

Example layout diagrams

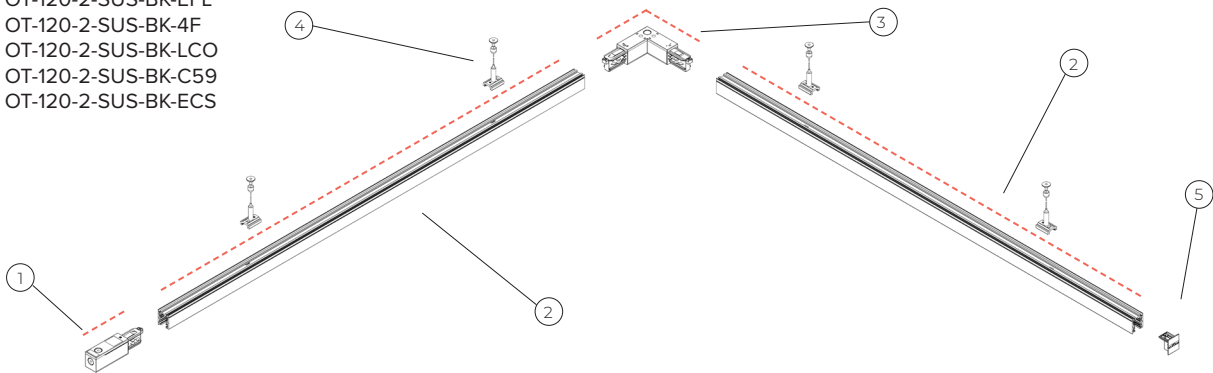
KEY:

1. OT-120-2-SUS-BK-EFL
2. OT-120-2-SUS-BK-4F
3. OT-120-2-SUS-BK-C59
4. OT-120-2-SUS-BK-ECS



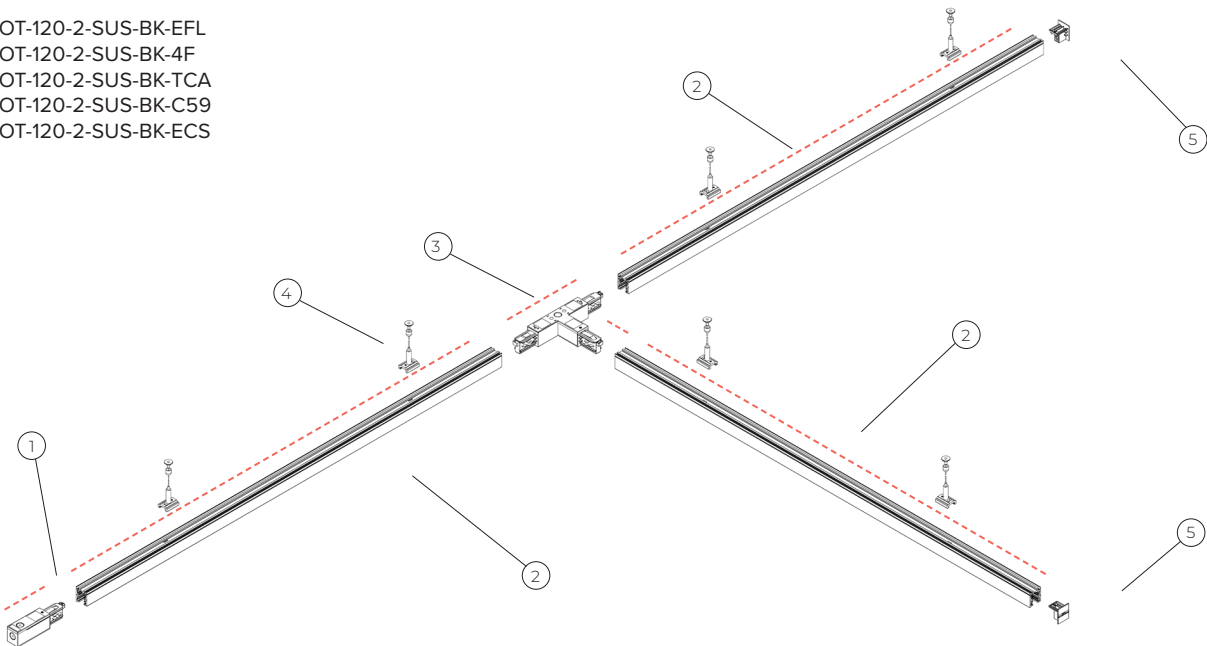
KEY:

1. OT-120-2-SUS-BK-EFL
2. OT-120-2-SUS-BK-4F
3. OT-120-2-SUS-BK-LCO
4. OT-120-2-SUS-BK-C59
5. OT-120-2-SUS-BK-ECS



KEY:

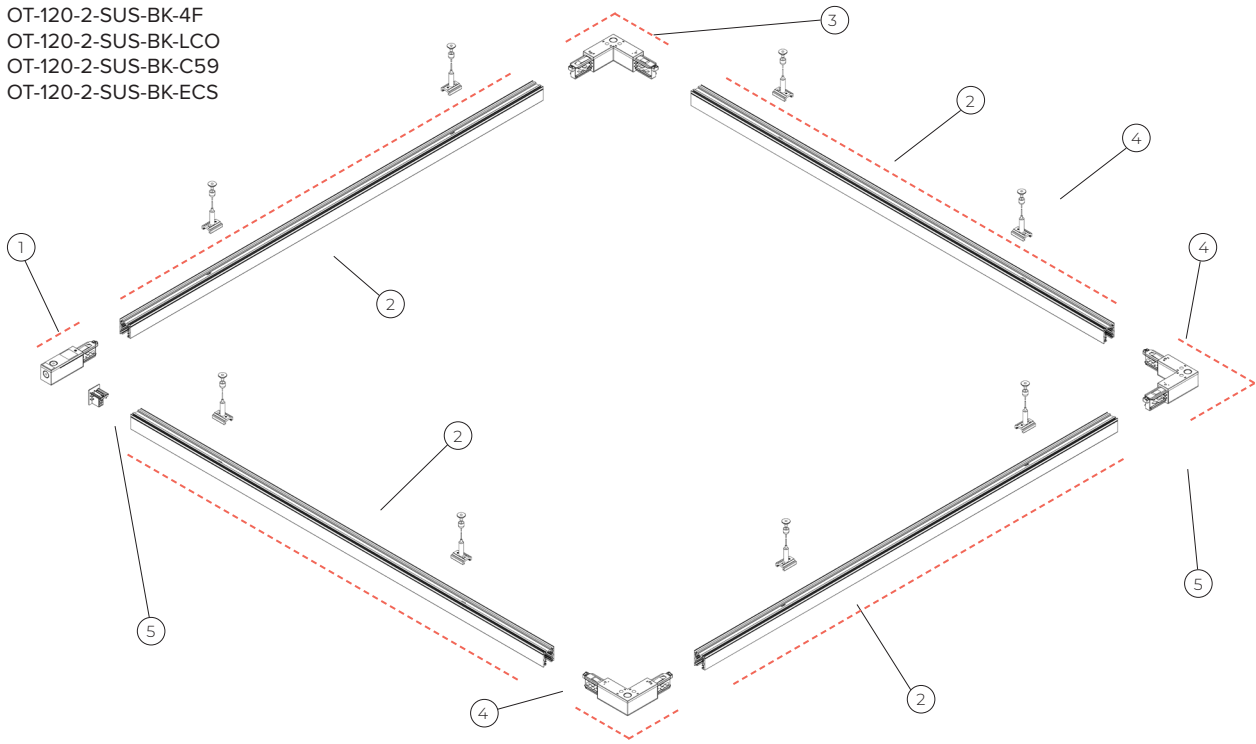
1. OT-120-2-SUS-BK-EFL
2. OT-120-2-SUS-BK-4F
3. OT-120-2-SUS-BK-TCA
4. OT-120-2-SUS-BK-C59
5. OT-120-2-SUS-BK-ECS



Example layout diagrams

KEY:

1. OT-120-2-SUS-BK-EFL
2. OT-120-2-SUS-BK-4F
3. OT-120-2-SUS-BK-LCO
4. OT-120-2-SUS-BK-C59
5. OT-120-2-SUS-BK-ECS

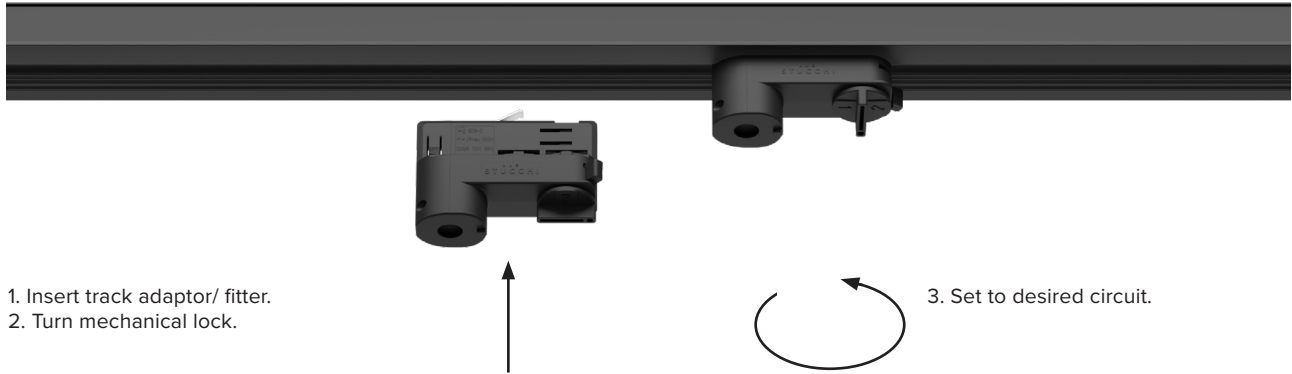


DOTTED LINE DENOTES POLARITY KEYED SIDE OF TRACK

PLEASE ENSURE POLARITY REMAINS CONSISTENT THROUGHOUT TRACK SYSTEM

General Technical Information

INSERTING TRACK ADAPTOR/ FITTER

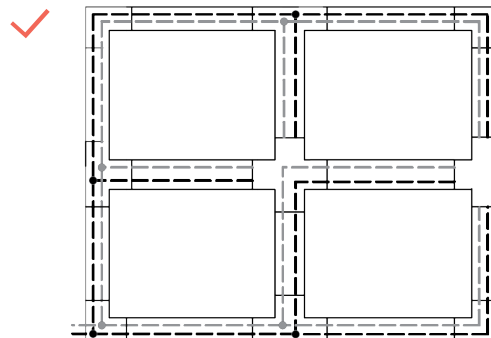
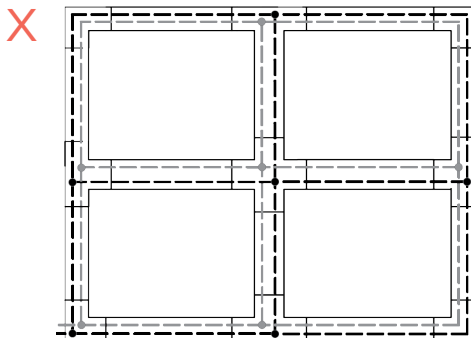
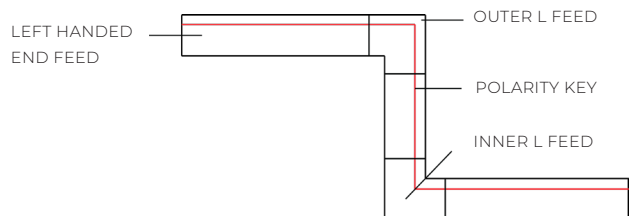
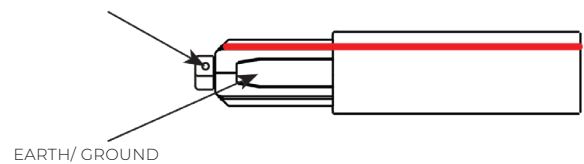


POLARITY

Consistent polarity must be kept throughout the circuit. Please ensure that the data bus wiring does not create a ring structure. A failure free data bus cannot be ensured if one is present. If the track installation requires the use of 'L' 'T' or 'X' shaped joints, it is possible to disconnect the data bus in these joints to avoid creating a ring structure.

If the track requires L T or X joints polarity must be observed throughout the system. The track power feeds and inter connectors have markings for D+ & D-. For DALI installations the luminaires are themselves not polarity sensitive however you must ensure the data bus wiring does not create a ring structure. For 1-10V installations the luminaires are polarity sensitive, you must ensure the data bus wiring does not create a ring structure and that polarity is maintained in relation to the polarity key on the track by using left handed / right handed, internal and external connectors. If the track installation requires the use of L T or X joints, it is possible to disconnect the data bus in these joints to avoid creating a ring. Pay attention at joints between track sections that the polarity key feature is on the same side across tracks. Miss-wiring will result in a short or sections of non-controllable lights.

SCREW/ POLARITY

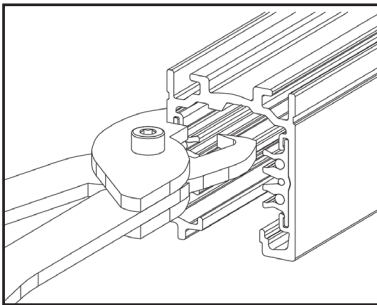


General Technical Information

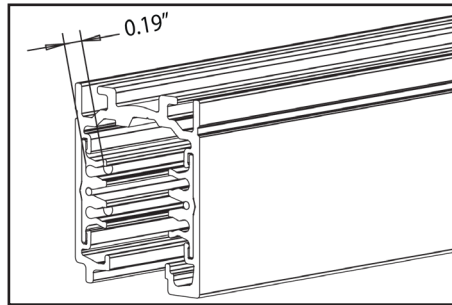
IMPORTANT TRACK INSTALLATION DIRECTIONS

CONDUCTOR PREPARATION

The track bars with length 4'-8'-12"* (12' not available in recessed and trimless version) are provided with the copper conductors already recessed, in compliance with the relevant safety standard. If it is necessary to shorten the track during installation this operation must be done with a tool intended for cutting aluminium. After cutting operation it is necessary to bend the power conductors with the CUT tool to recess the 4 power conductors at least of 0,196" so that the correct air, surface and electrical distances are respected



RECESSING TRACK
CONDUCTORS



MINIMUM RECESSING

CURRENT LIMITERS

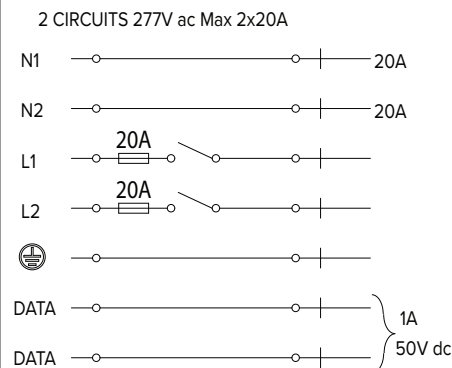
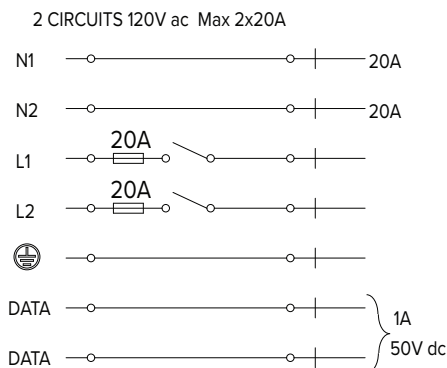
Current limiters are intended to be installed at track feed locations in place of a standard non-limiting feed. These feeds incorporate a circuit breaker which are designed to limit available wattage to the track. This lets you optimize the potential of line-voltage track lighting without being penalized by watts-per-foot code calculations.

These current limiters are rated at 20A. They are supplied bare with circuit breakers to be purchased separately.

Suitable circuit breakers for our Current Limiting End Feeds:

120V Carling Technologies Series M

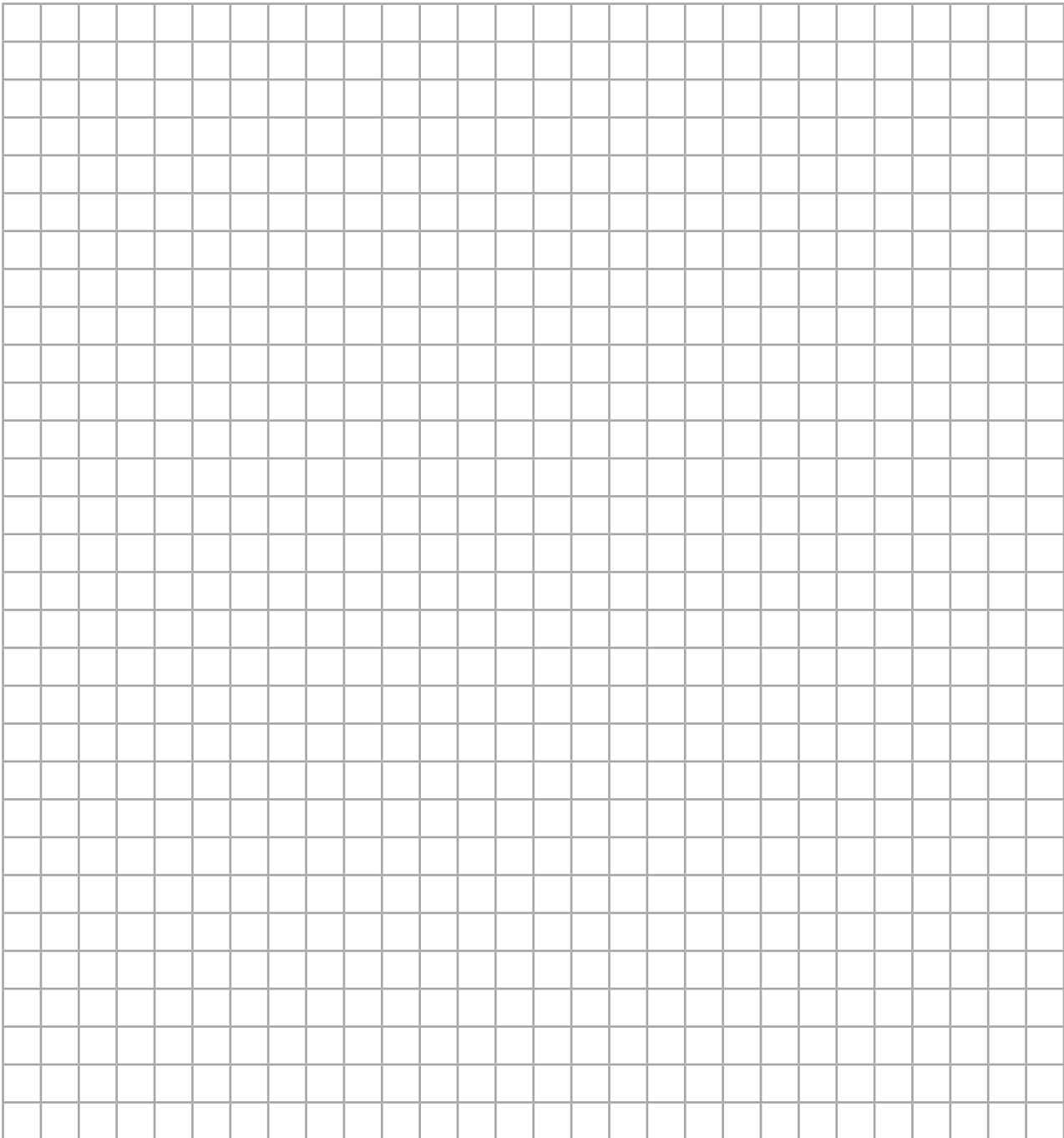
277V Carling Technologies Series A
Sensata Technologies IUGZX



ONETRACK SYSTEM SKETCH GRID

Use grid below to sketch out details of the OneTrack Track System. Include as many details as possible such as:

- Shape
- Dimensions of each leg
- Location of Power Feeds
- Location and Type of Track Modules (Directional, Ambient, Track Heads)
- Ceiling Thickness (for Trimless Tracks)



CONTACT US

224.333.6033
info@luminii.com
luminii.com

NILES OFFICE

7777 Merrimac Ave.
Niles, IL 60714
403.216.7043

COOKEVILLE OFFICE

1093 Volunteer Dr.
Cookeville, TN 38506
931.528.1052

CALGARY OFFICE

302 50 Ave SE. Calgary, AB T2G 2A9
Canada
403.216.7043

LONDON OFFICE

42 Riverside Road London, United
Kingdom SW17 0BA
020.8947.6616