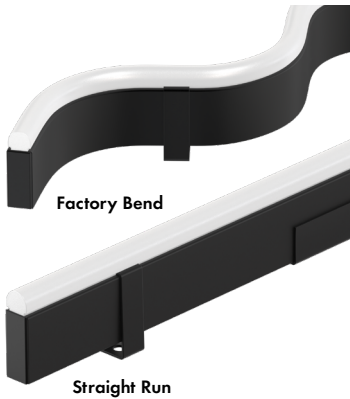
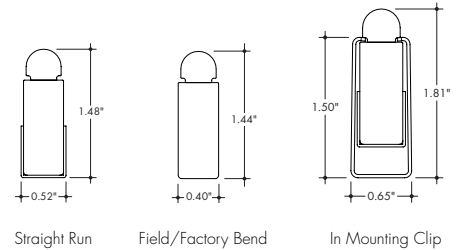


# Plexineon Surface Mount

Static White and Monochrome Colors



- Easy to install, for interior and exterior accent lighting
- Neon look providing a crisp, clear line of light visible for miles
- Creative freedom to make stunning designs, rigid construction maintains factory formed shape
- Mounting clips are included in the appropriate quantities
- Operating temperature: -40° F to 140° F (-40° C to 60° C)
- 24VDC Class 2
- IK10 and 3G rated
- IP67 rated
- 5 year warranty indoor, 3 year warranty outdoor



## Technical Information

MODEL	Plexineon Static White (30K)	Plexineon Monochrome Colors					
		Red	Blue	Green	Magenta	Teal	Yellow
<b>OUTPUT OPTIONS</b>		SO					
<b>Lumens Output (3000K)</b>	123 lm/ft	14 lm/ft	11 lm/ft	50 lm/ft	24 lm/ft	60 lm/ft	62 lm/ft
<b>Average Power Consumption</b> <small>(for a 4" section)</small>	3.2 W/ft	1.2 W/ft	1.4 W/ft	1.5 W/ft	2.6 W/ft	2.9 W/ft	2.7 W/ft
<b>Wavelength</b>	N/A	622 nm	468 nm	525 nm	567 nm	486 nm	563 nm
<b>Efficacy</b>	39 lm/W	12.1 lm/W	8.1 lm/W	33.8 lm/W	9.2 lm/W	20.9 lm/W	23.2 lm/W
<b>Order Increment</b>		1.97"					
<b>Max Run Length</b> <small>(in series)</small>	30 ft	32ft	32ft	32ft	32ft	32ft	32ft

CCT	Multiplier <small>(reference - 3000K)</small>	TM-30		
		CRI	R <sub>f</sub>	R <sub>g</sub>
2700K	0.94	90	88	97
3000k	1.00	90	87	97
3500k	1.02	90	87	97
4000k	1.02	90	84	92

## Ordering Code

MODEL	RUN LENGTH <sup>1</sup>	BEND	CCT	OUTPUT	LENS	MOUNTING <sup>4</sup>	FINISH	POWERFEED POSITION/TYPE	QUOTE NUMBER <sup>7</sup>
PX-Plexineon	—Run length in inches, 6" min, no max run length	SR-Straight Run FB-Field Bendable <sup>2</sup> EB-Factory Bend, Side/Easy Bend <sup>3</sup> HB-Factory Bend, Top/Hard Bend <sup>3</sup>	27K-2700K 30K-3000K 35K-3500K 40K-4000K	SO-Standard	F-Frosted	SM-Surface Mount, Standard Clips SML-Surface Mount, L-Tab Clips SMS-Surface Mount, S-Tab Clips SMV-Surface Mount, Vertical Clips <sup>5</sup> SMD-Surface Mount Decorative Clips <sup>6</sup>	GG-Gloss Grey BK-Matte Black GY-Matte Grey WH-Matte White	B-4-Male Quick Connect One End, Female Quick Connect Other End	(Leave Blank)-For SR or FB —Quote Number entered by Inside Sales used for Factory Bends and Custom Drawings

1. Static White and Monochrome colors are available in 2" (1.97") increments, +/- 1/2" tolerance. Run Lengths over 96" (8ft) will be made of equal sections no longer than 96".  
 2. Field Bendable ships as straight sections which can be bent down to 72" radius min. Field Bendable sections do not include rigid c-channel and may not maintain straightness without appropriately placed mounting clips.  
 3. Factory Bends require an Image or Drawing input at time of Quote to calculate total linear/arc length. Factory Bends require a Custom Drawing submittal at time of Order. Allow 2 weeks (typical) for Custom Drawing generation/confirmation process.

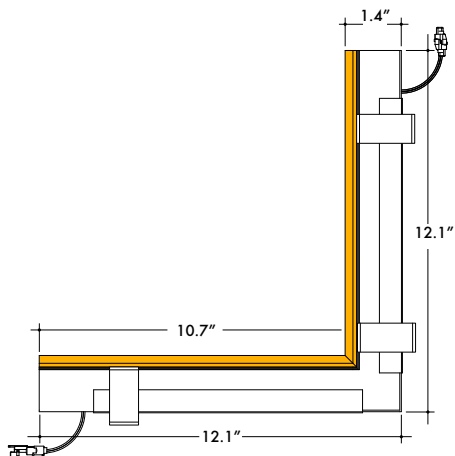
4. Standard mounting clip included approximately every 30" of linear/arc length.  
 5. Two Vertical Clips for vertical support. Standard mounting clip included approximately every 30" of linear/arc length.  
 6. All mounting clips come with stainless steel finish, except Decorative Clips. Decorative Clips match the fixture finish, and are included approximately every 18" of linear/arc length.  
 7. Quote Number correlates the Quote to the Custom Drawing. If a single Quote includes different designs having the same length, add -1, -2, -3, etc. to the end of the Quote Number for each unique configuration.

# Plexineon Surface Mount

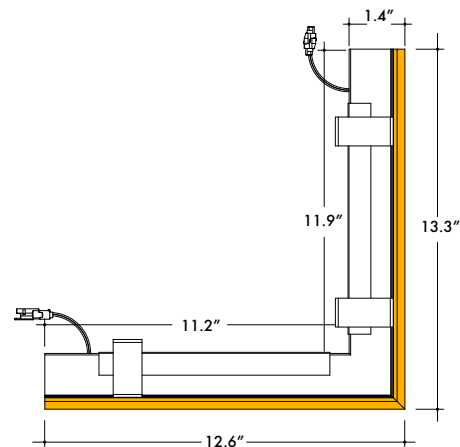
Static White and Monochrome Colors

## Corner Dimensions

### IC-SR Inside Corner

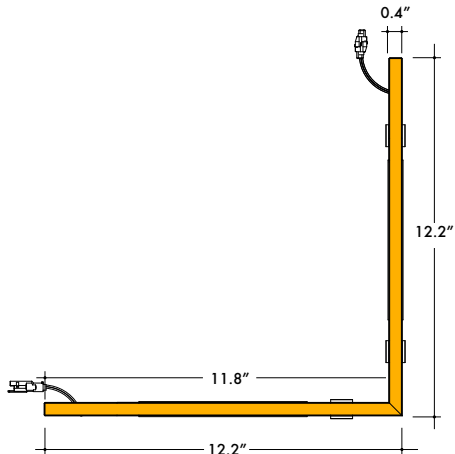


### OC-SR Outside Corner



Note: Outside Corner legs are asymmetric, male connector is on the longer end, female connector is on the shorter end.

### HC-SR Horizontal Corner



## Ordering Code

MODEL	CORNER <sup>1</sup>	CCT	OUTPUT	LENS	MOUNTING <sup>1</sup>	FINISH	POWERFEED POSITION/TYPE
PX - Plexineon	IC-SR - Inside Corner OC-SR - Outside Corner HC-SR - Horizontal Corner	27K - 2700K 30K - 3000K 35K - 3500K 40K - 4000K B - Blue G - Green T - Teal Y - Yellow R - Red M - Magenta	SO - Standard	F - Frosted	SM - Surface Mount, Standard Clips SML - Surface Mount, L-Tab Clips SMS - Surface Mount, S-Tab Clips SMV - Surface Mount, Vertical Clips SMD - Surface Mount Decorative Clips <sup>2</sup>	GG - Gloss Grey BK - Matte Black GY - Matte Grey WH - Matte White	B-4 - Male Quick Connect One End, Female Quick Connect Other End

1. Corners include 3 mounting clips.  
2. All mounting clips come with stainless steel finish, except Decorative Clips. Decorative Clips match the fixture finish.

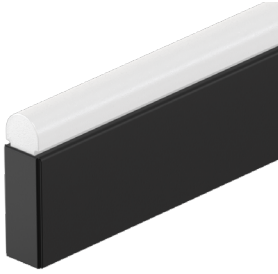
# Plexineon Surface Mount

Static White and Monochrome Colors



## Finish Options

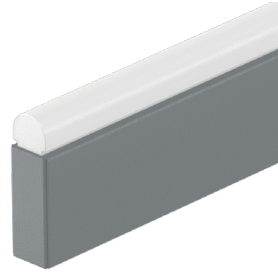
**BK**  
Matte Black Finish



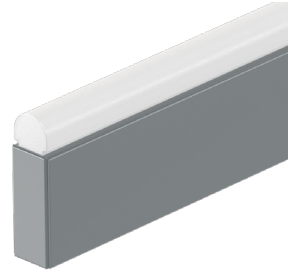
**WH**  
Matte White Finish



**GY**  
Matte Grey Finish



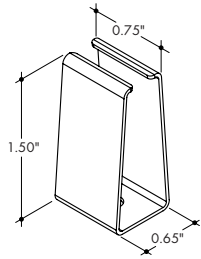
**GG**  
Gloss Grey Finish



## Mounting Clips

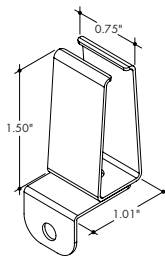
- Mounting Clips are included with Plexineon runs in the appropriate quantity, every 30" of linear/arc length for Standard Clips and every 18" of linear/arc length for Decorative Clips.
- Standard Clips have a stainless steel finish, Decorative Clip finishes match the fixture finishes.
- Standard Clip mounting hole is  $\varnothing 0.2"$ , Decorative Clip mounting hole is  $\varnothing 0.16"$ .

**SM**  
**75-CLP16-001-00**  
Surface Mount, Standard Clip



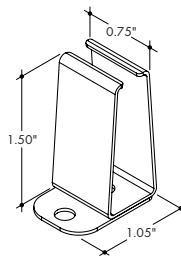
Used for mounting direct to surface. Stainless Steel Finish

**SML**  
**75-CLP15-001-00**  
Surface Mount, L-Tab Clip



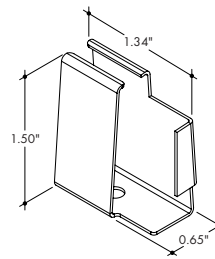
Used for mounting to adjacent surfaces. Stainless Steel Finish

**SMS**  
**75-CLP17-001-00**  
Surface Mount, S-Tab Clip



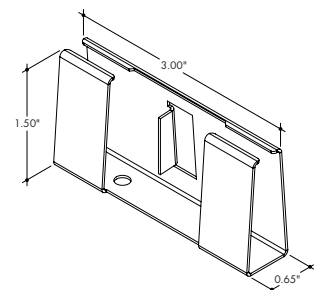
Used for to reduce install time and mounting direct to surfaces with fixture pre-assembled to clips. Stainless Steel Finish

**SMV**  
**75-CLP20-001-00**  
Surface Mount, Vertical Clip



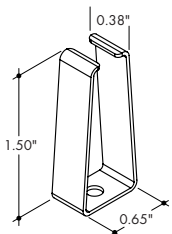
Used to hold fixtures in a vertical orientation. Stainless Steel Finish

**75-CLP19-001-00**  
Surface Mount, Standard Joiner Clip



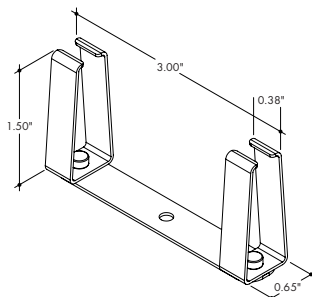
Used to join two fixtures together. Stainless Steel Finish

**SMD**  
**75-CLP36-001-0X**  
Surface Mount, Decorative Clip



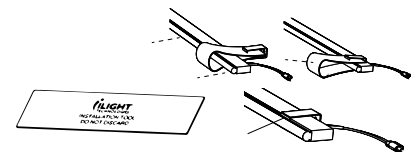
Thinner clip with finish options to match fixtures

**75-CLP37-001-0X**  
Surface Mount, Decorative Joiner Clip



Thinner clip used to join two fixtures together. Finish matches fixture finish

**70-TOL02-001-01**  
Mounting Clip Installation Tool



Use for installation of Plexineon into Mounting Clips

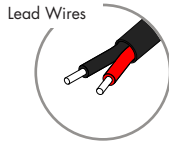
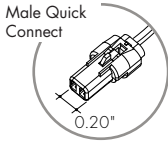
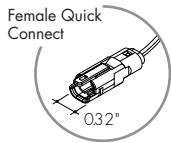
OX	Clip Finish
00	Stainless Steel
01	Matte Black
02	Matte Grey
03	Matte White

# Plexineon Surface Mount

Static White and Monochrome Colors

## Powerfeed and Connectors

- Connectors are included in the Plexineon runs per CCT option selected. Order extras as desired.



**60-SJ-0002-08**  
Female Quick Connect  
with 6" flying leads

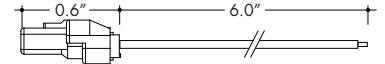


Female Quick Connect with flying leads can be connected to the Power Supply at the start of a run. Can also be used with the Male Quick Connect to make wire jumpers.

Also available with longer Flying Leads

**60-SJ-C2-0002-01**  
Female Quick Connect  
with 120" flying leads

**60-SJ-0001-08**  
Male Quick Connect  
with 6" flying leads



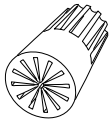
Male Quick Connect with flying leads can be used to make wire jumpers.

Also available with longer Flying Leads

**60-SJ-C2-0001-01**  
Male Quick Connect  
with 120" flying leads

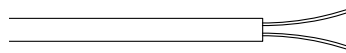
## Additional Material

**60-12-22AWGSBWN**  
Weatherproof Wire Nut Silicone Filled



Order 2 per Power Supply.

**55-STW02-050-00**  
50 ft of 14 gauge wire Black jacket,  
2 conductors



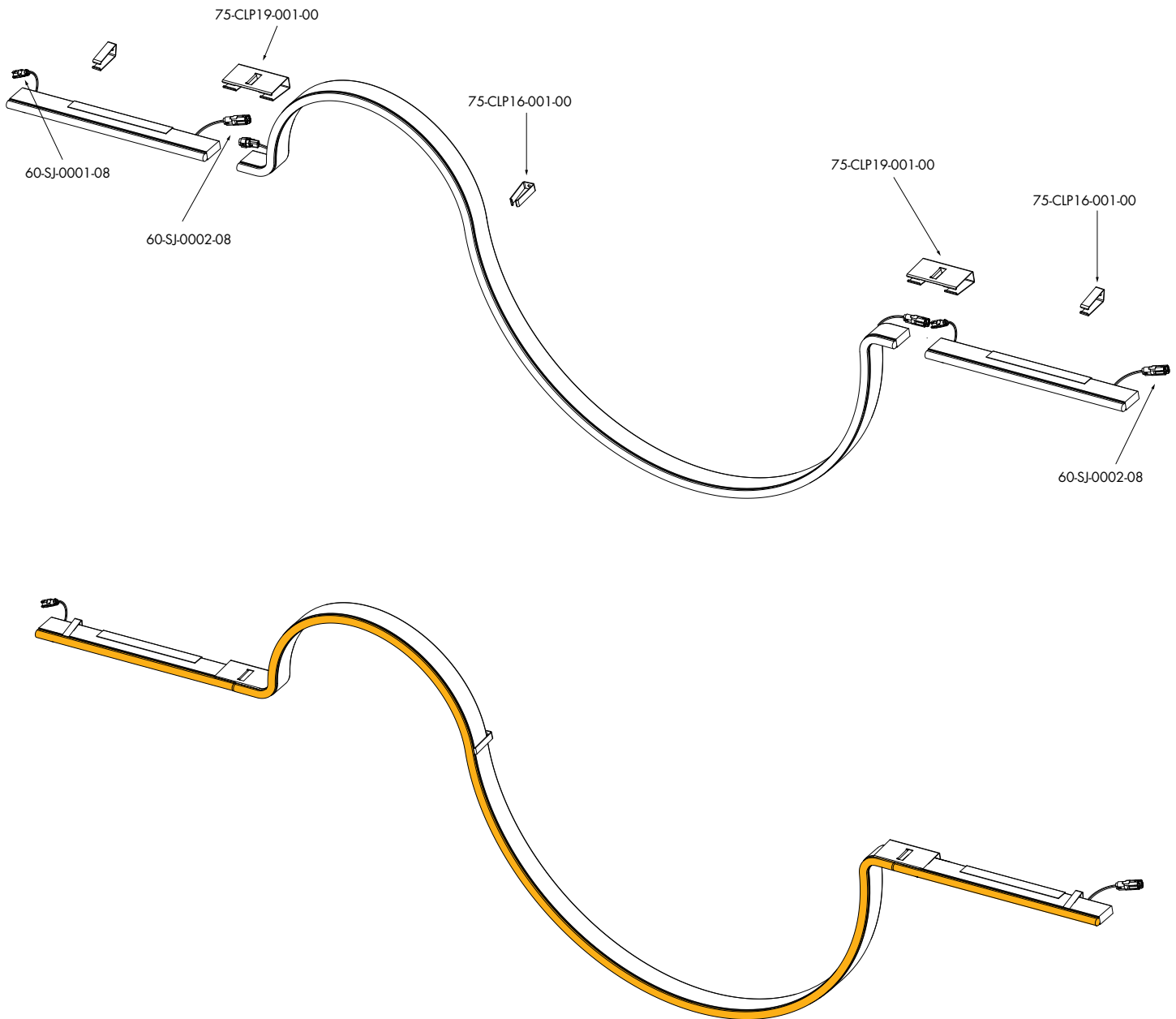
Sunlight, moisture resistant, and flame retardant PVC jacket per UL 1277

# Plexineon Surface Mount

Static White and Monochrome Colors

## Sample Layout

**PX-120-EB-30K-SO-F-SM-GG-B-4-QXXXXX**  
Plexineon Factory Bend, Standard Mounting Clips

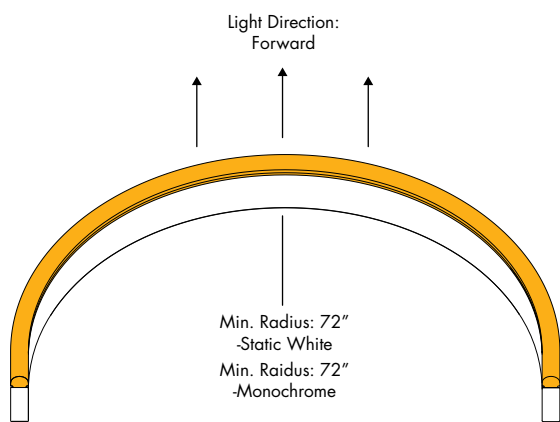




### Field Bends

- Field Bends available with Surface Mount installations only.
- Field Bends can be made only in a direction perpendicular to the light output, Horizontal/Easy Bend.
- Field Bendable ship as straight sections which can be bent down to 72" radius min.
- Field Bendable sections do not include rigid c-channel and may not maintain straightness without appropriately placed mounting clips.

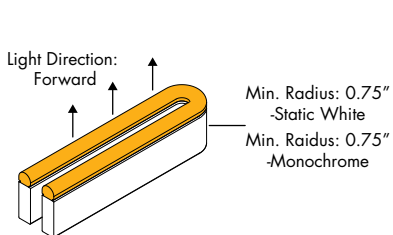
**FB**  
Field Bend, Side/Easy Bend



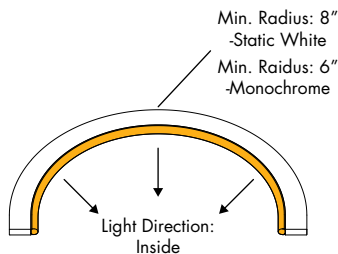
### Factory Bends

- Require Custom Drawing submittal and approval.

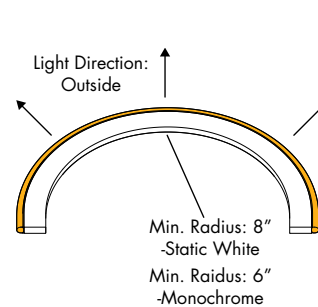
**EB**  
Factory Bend, Side/Easy Bend



**HB**  
Factory Bend, Top/Hard Bend



**HB**  
Factory Bend, Top/Hard Bend



# Plexineon Surface Mount

Static White and Monochrome Colors



## Power Consumption

Tested at Full Power with PDC Series power supplies.

Standard Nominal Lengths offered provide minimal shadowing. For alternate lengths, please consult Inside Sales with specific request.

### Static White

Nominal Length (in)	Actual Length	Watts	Nominal Length (in)	Actual Length	Watts
<b>7</b>	6 6/16	1.5	<b>54</b>	53 10/16	14.5
<b>9</b>	8 6/16	2.1	<b>56</b>	55 10/16	15.2
<b>11</b>	10 5/16	2.6	<b>58</b>	57 9/16	15.7
<b>13</b>	12 5/16	3.1	<b>60</b>	59 9/16	16.2
<b>15</b>	14 4/16	3.6	<b>62</b>	61 8/16	16.6
<b>17</b>	16 4/16	4.1	<b>64</b>	63 8/16	17.4
<b>19</b>	18 3/16	4.8	<b>66</b>	65 7/16	17.6
<b>20</b>	20 3/16	5.3	<b>68</b>	67 7/16	18.1
<b>22</b>	22 2/16	5.8	<b>70</b>	69 6/16	18.5
<b>24</b>	24 2/16	6.5	<b>72</b>	71 6/16	19.3
<b>26</b>	26 1/16	7	<b>74</b>	73 5/16	19
<b>28</b>	28 1/16	7.5	<b>76</b>	75 5/16	19.5
<b>30</b>	30	8.2	<b>78</b>	77 4/16	20
<b>32</b>	32	8.7	<b>80</b>	79 4/16	20.7
<b>34</b>	33 15/16	9.2	<b>82</b>	81 3/16	21.2
<b>36</b>	35 15/16	9.9	<b>83</b>	83 3/16	21.7
<b>38</b>	37 14/16	10.4	<b>85</b>	85 2/16	22.4
<b>40</b>	39 14/16	10.8	<b>87</b>	87 2/16	22.9
<b>42</b>	41 13/16	11.6	<b>89</b>	89 1/16	23.4
<b>44</b>	43 13/16	11.9	<b>91</b>	91 1/16	23.9
<b>46</b>	45 12/16	12.5	<b>93</b>	93	24.3
<b>48</b>	47 12/16	12.8	<b>95</b>	95	24.8
<b>50</b>	49 11/16	13.5			
<b>52</b>	51 11/16	14			

# Plexineon Surface Mount

Static White and Monochrome Colors



## Power Consumption

Tested at Full Power with PDC Series power supplies.

Standard Nominal Lengths offered provide minimal shadowing. For alternate lengths, please consult Inside Sales with specific request.

Nominal Length (in)	Actual Length	Monochrome						Nominal Length (in)	Actual Length	Watts					
		Watts								Watts					
		Red	Yellow	Green	Teal	Blue	Magenta			Red	Yellow	Green	Teal	Blue	Magenta
<b>7</b>	6 6/16	0.6	1.4	0.8	1.4	0.7	1.4	<b>54</b>	53 10/16	5.3	12.5	7.0	13.7	6.5	12.1
<b>9</b>	8 6/16	0.8	1.6	1.0	1.9	1.0	1.6	<b>56</b>	55 10/16	5.5	12.8	7.2	14.2	6.8	12.5
<b>11</b>	10 5/16	1.0	2.1	1.2	2.6	1.2	2.1	<b>58</b>	57 9/16	5.8	13.5	7.5	14.7	7.0	23.8
<b>13</b>	12 5/16	1.2	2.9	1.4	3.1	1.4	2.6	<b>60</b>	59 9/16	5.8	14.0	7.7	15.2	7.2	12.8
<b>15</b>	14 4/16	1.3	3.1	1.6	3.3	1.6	3.1	<b>62</b>	61 8/16	6.3	14.2	8.2	15.7	7.5	13.7
<b>17</b>	16 4/16	1.4	3.6	1.9	3.8	1.9	3.6	<b>64</b>	63 8/16	6.5	14.7	8.4	16.2	7.7	14.2
<b>19</b>	18 3/16	1.6	4.1	2.1	4.6	2.1	3.8	<b>66</b>	65 7/16	6.7	15.2	8.7	16.5	8.2	14.7
<b>20</b>	20 3/16	1.9	4.6	2.6	5.0	2.1	4.6	<b>68</b>	67 7/16	6.7	15.7	8.9	17.1	8.4	15.2
<b>22</b>	22 2/16	1.9	5.0	2.9	5.5	2.6	5.0	<b>70</b>	69 6/16	7.0	16.2	9.2	17.6	8.4	15.7
<b>24</b>	24 2/16	2.1	5.5	3.1	6.3	2.9	5.3	<b>72</b>	71 6/16	7.0	16.6	9.2	17.8	8.7	15.9
<b>26</b>	26 1/16	2.6	6.3	3.3	6.7	3.1	5.8	<b>74</b>	73 5/16	7.2	17.1	9.4	18.3	8.9	16.3
<b>28</b>	28 1/16	2.9	6.5	3.6	7.0	3.3	6.3	<b>76</b>	75 5/16	7.5	17.4	9.9	18.8	9.2	16.6
<b>30</b>	30	3.1	7.0	3.8	7.5	3.6	6.7	<b>78</b>	77 4/16	7.7	17.8	10.1	19.3	9.4	17.1
<b>32</b>	32	3.1	7.2	4.1	8.2	3.8	7.0	<b>80</b>	79 4/16	7.7	18.1	10.4	19.8	9.6	17.6
<b>34</b>	33 15/16	3.3	7.7	4.6	8.7	4.1	7.5	<b>82</b>	81 3/16	8.2	18.3	10.6	20.2	9.9	18.1
<b>36</b>	35 15/16	3.6	8.4	4.8	9.1	4.6	8.2	<b>83</b>	83 3/16	8.4	19.1	10.8	21.0	10.1	18.3
<b>38</b>	37 14/16	3.8	8.9	5.0	9.7	4.8	8.4	<b>85</b>	85 2/16	8.4	19.3	10.8	21.2	10.4	18.8
<b>40</b>	39 14/16	3.8	9.2	5.3	10.1	4.8	8.9	<b>87</b>	87 2/16	8.7	19.8	11.1	21.7	10.6	19.0
<b>42</b>	41 13/16	4.1	9.9	5.3	10.6	5.0	9.4	<b>89</b>	89 1/16	8.9	20.0	11.6	21.9	10.8	19.5
<b>44</b>	43 13/16	4.6	10.1	5.5	11.1	5.3	9.9	<b>91</b>	91 1/16	9.2	21.0	11.8	22.9	11.1	20.0
<b>46</b>	45 12/16	4.6	10.6	6.1	11.8	5.5	10.4	<b>93</b>	93	9.2	21.0	11.8	23.1	11.1	20.3
<b>48</b>	47 12/16	4.8	11.1	6.3	12.3	5.8	10.6	<b>95</b>	95	9.2	21.0	11.8	23.2	11.6	20.7
<b>50</b>	49 11/16	5.0	11.6	6.5	12.5	6.3	11.1								
<b>52</b>	51 11/16	5.3	12.1	6.7	13.0	6.5	11.6								





### Voltage Drop Calculator

The below chart assumes nominal voltage of 24 Volts and a Voltage Drop Allowance of 3% through the wire

Wattage [W]	Maximum Wire Length From Power Supply to Start of Run [ft]						
	12 AWG	14 AWG	16 AWG	18 AWG	20 AWG	22 AWG	24 AWG
<b>5</b>	1088.2	684.4	430.3	270.6	170.2	107.1	67.3
<b>10</b>	544.1	342.2	215.1	135.3	85.1	53.5	33.7
<b>15</b>	362.7	228.1	143.4	90.2	56.7	35.7	22.4
<b>20</b>	272.0	171.1	107.6	67.7	42.6	26.8	16.8
<b>25</b>	217.6	136.9	86.1	54.1	34.0	21.4	13.5
<b>30</b>	181.4	114.1	71.7	45.1	28.4	17.8	11.2
<b>35</b>	155.5	97.8	61.5	38.7	24.3	15.3	9.6
<b>40</b>	136.0	85.5	53.8	33.8	21.3	13.4	8.4
<b>45</b>	120.9	76.0	47.8	30.1	18.9	11.9	7.5
<b>50</b>	108.8	68.4	43.0	27.1	17.0	10.7	6.7
<b>55</b>	98.9	62.2	39.1	24.6	15.5	9.7	6.1
<b>60</b>	90.7	57.0	35.9	22.6	14.2	8.9	5.6
<b>65</b>	83.7	52.6	33.1	20.8	13.1	8.2	5.2
<b>70</b>	77.7	48.9	30.7	19.3	12.2	7.6	4.8
<b>75</b>	72.5	45.6	28.7	18.0	11.3	7.1	4.5
<b>80</b>	68.0	42.8	26.9	16.9	10.6	6.7	4.2
<b>85</b>	64.0	40.3	25.3	15.9	10.0	6.3	4.0
<b>90</b>	60.5	38.0	23.9	15.0	9.5	5.9	3.7
<b>96</b>	56.7	35.6	22.4	14.1	8.9	5.6	3.5

# Plexineon Surface Mount

Static White and Monochrome Colors



ilight  
by luminii

## Common Applications

Custom Indoor Designs | Coves | Signs | Building Facades | Lobbies | Hallways | Statement Pieces | Restaurants  
Corporate Offices | Schools | Residential Towers | Parking Garages | Hotels | Bridges | Benches | Airports



# Plexineon Surface Mount

Static White and Monochrome Colors



## Power Supplies

See Power Supply instructions and spec sheet for wiring information. For a complete list of compatible dimmers, see Compatible Dimming Chart on the Resources page.

### Ordering Code Universal Dimming Power Supplies 1% 120VAC - 277VAC

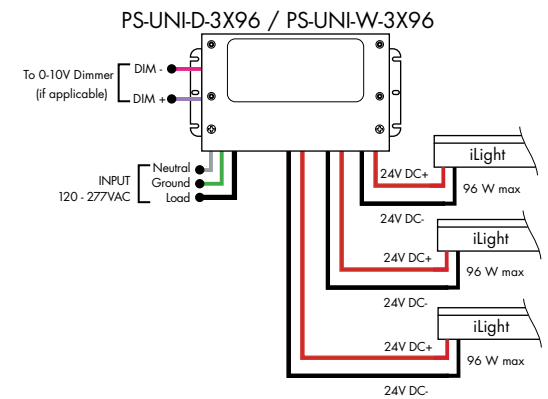
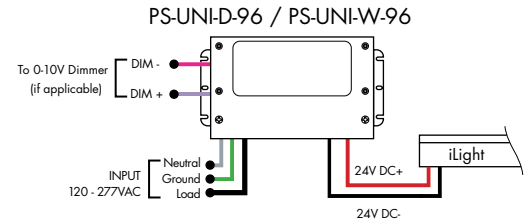
MODEL	INPUT CONTROL	ENVIRONMENT	WATTAGE	OUTPUT
PS-Power Supply, 120-277VAC	UNI-0-10V Dimming, Phase Dimming	D-Dry W-Wet	30-30 Watts 60-60 Watts 96-96 Watts 3x96-3x96 Watts	24-24 VDC

Compatibility: View a complete list of compatible dimmers on product page [Link](#)

0-10V - 1% dimming  
MLV/ELV/TRIAC - 1% dimming, consult dimming compatibility chart

MODELS	PS-UNI-W-30W	PS-UNI-W-60W	PS-UNI-W-96W	PS-UNI-W-3X96W
Length	6.50"	7.40"	8.66"	11.85"
Width	3.73"	3.73"	3.73"	4.32"
Depth	1.61"	1.61"	1.61"	1.81"

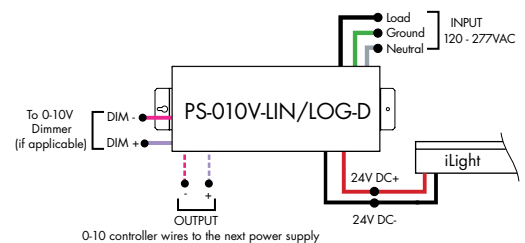
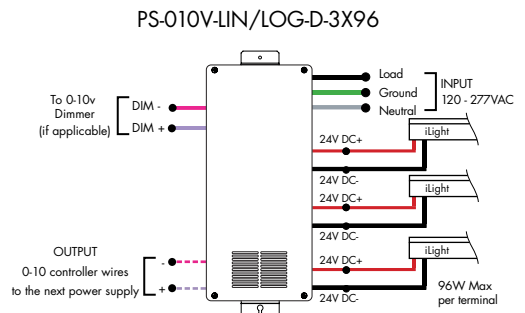
MODELS	PS-UNI-D-30W	PS-UNI-D-60W	PS-UNI-D-96W	PS-UNI-D-3X96W
Length	8.77"	8.77"	8.11"	9.94"
Width	4.27"	4.27"	5.60"	7.61"
Depth	1.83"	1.83"	1.83"	2.02"



### Ordering Code 0-10V Dimming Power Supplies 0.1% 120VAC - 277VAC

MODEL	INPUT CONTROL	ENVIRONMENT	WATTAGE	OUTPUT
PS-Power Supply, 120-277VAC	010VLIN-0-10V Dimming (0.1%), Linear 010VLOG-0-10V Dimming (0.1%), Logarithmic	D-Dry	96-96 Watts 3X96-3x96 Watts	24-24 VDC

MODELS	96W	3X96
Length	14.40"	15.00"
Width	5.20"	6.62"
Depth	2.60"	4.45"



# Plexineon Surface Mount

Static White and Monochrome Colors



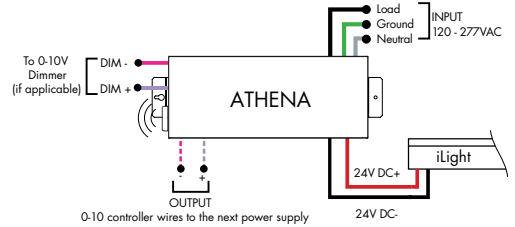
## Power Supplies

See Power Supply instructions and spec sheet for wiring information. For a complete list of compatible dimmers, see Compatible Dimming Chart on the Resources page.

### Athena 0-10V LED Driver

MODEL	INPUT CONTROL	ENVIRONMENT	WATTAGE	OUTPUT	FEATURE
PS-Power Supply, 120-277VAC	010V-LIN-0-10V Dimming, Linear 010V-LOG 0-10V Dimming, Logarithmic	D-Dry	96-96 W	24-24 VDC	AWN-R-Athena

MODELS	96W
<b>Length</b>	14.40"
<b>Width</b>	5.20"
<b>Depth</b>	2.60"

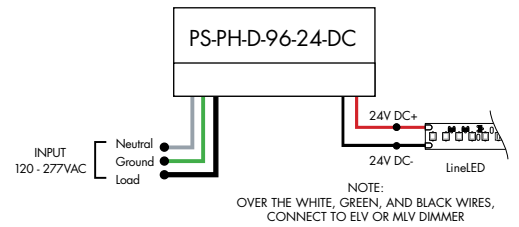


### Ordering Code Phase Dimming Power Supply 1% 120VAC - 277VAC

MODEL	INPUT CONTROL	ENVIRONMENT	WATTAGE	OUTPUT	OUTPUT CONTROL
PS-Power Supply, 120-277VAC	PH-Phase Dimming (Triac, ELV, MLV)	D-Dry	96-96 Watts	24-24 VDC	DC-Direct Current

MLV/ELV/TRIAC - 1% dimming, consult dimming compatibility chart ([link](#))

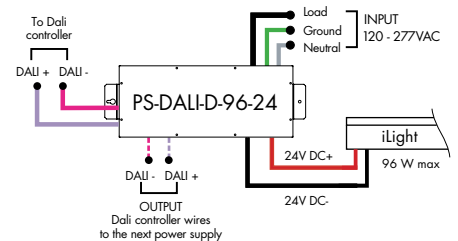
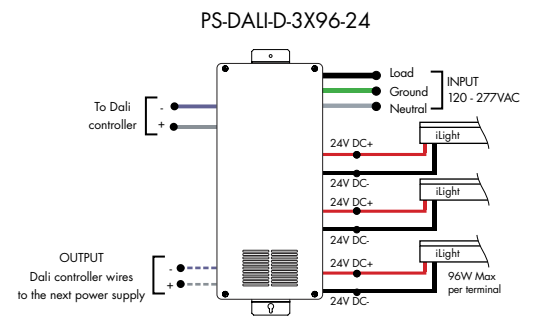
MODELS	96W
<b>Length</b>	8.25"
<b>Width</b>	4.10"
<b>Depth</b>	1.56"



### Ordering Code DALI Dimming Power Supplies 0.1% 120VAC - 277VAC

MODEL	INPUT CONTROL	ENVIRONMENT	WATTAGE	OUTPUT
PS-Power Supply, 120-277VAC	DALI-DALI (0.1%)	D-Dry	96-96 Watts 3X96-3X96 Watts	24-24 VDC

Model	96W	3X96
<b>Length</b>	14.40"	15.00"
<b>Width</b>	5.20"	6.62"
<b>Depth</b>	2.60"	4.56"



# Plexineon Surface Mount

Static White and Monochrome Colors



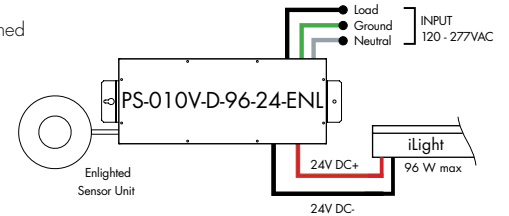
## Power Supplies

See Power Supply instructions and spec sheet for wiring information. For a complete list of compatible dimmers, see Compatible Dimming Chart on the Resources page.

### Ordering Code Enlightened Enabled Dimming Power Supplies 1% 120VAC - 277VAC

MODEL	INPUT CONTROL	ENVIRONMENT	WATTAGE	OUTPUT	FEATURE
PS-Power Supply, 120-277VAC	010V-0-10V Dimming (1%)	D-Dry	96-96 Watts	24-24 VDC	ENL-0-10V Enlightened

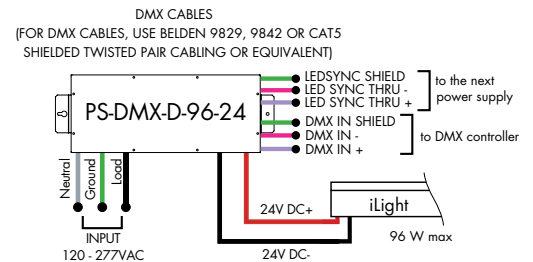
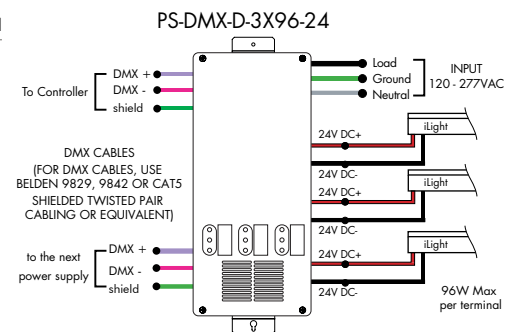
<b>Model</b>	<b>96W</b>
<b>Length</b>	14.40"
<b>Width</b>	5.20"
<b>Depth</b>	2.60"



### Ordering Code DMX Dimming Power Supplies 0.1% 120VAC - 277VAC Requires Zonal Control

MODEL	INPUT CONTROL	ENVIRONMENT	WATTAGE	OUTPUT
PS-Power Supply, 120-277VAC	DMX-DMX (0.1%)	D-Dry	96-96 Watts 3X96-3X96 Watts	24-24 VDC

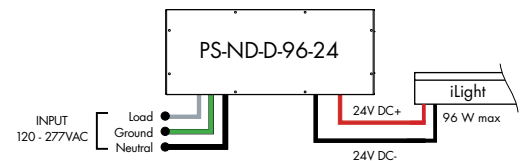
MODELS	96W	3X96
<b>Length</b>	14.40"	15.00"
<b>Width</b>	5.20"	6.62"
<b>Depth</b>	2.60"	4.56"



### Ordering Code Non-Dimming Power Supply 120VAC - 277VAC

MODEL	INPUT CONTROL	ENVIRONMENT	WATTAGE	OUTPUT
PS-Power Supply, 120-277VAC	ND-Non Dimming	D-Dry	96-96 Watts	24-24 VDC

<b>MODELS</b>	<b>96W</b>
<b>Length</b>	14.40"
<b>Width</b>	5.20"
<b>Depth</b>	2.60"





# Plexineon Surface Mount

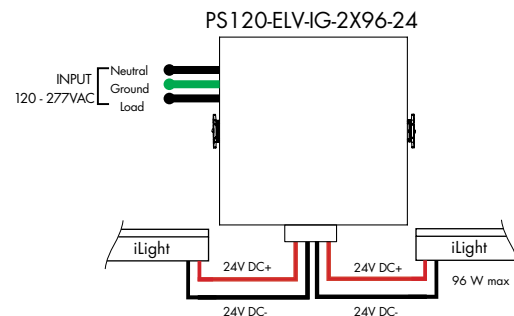
Static White and Monochrome Colors

## Power Supplies

See Power Supply instructions and spec sheet for wiring information. For a complete list of compatible dimmers, see Compatible Dimming Chart on the Resources page.

### Ordering Code In-Ground Power Supplies

MODEL	INPUT CONTROL	ENVIRONMENT	WATTAGE	OUTPUT
PS120-Power Supply, 120VAC PS240-Power Supply, 240VAC PS277-Power Supply, 277VAC	ELV-ELV Dimming (1%)	IG-In Ground	2X96-2X96 Watts	24-24 VDC



MODELS	2X96W
<b>Length</b>	8.40"
<b>Width</b>	8.30"
<b>Depth</b>	8.10"

Luminii is a Lutron OEM Advantage Partner

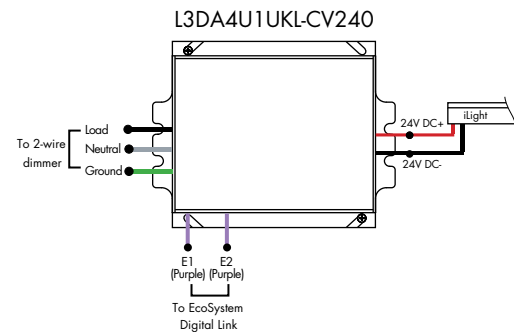
### Lutron Power Supplies 1%

MODEL

<b>L3DA4U1UKL-CV240</b>
-------------------------

HiLume™ 1% EcoSystem Voltage LED driver  
40W max

MODELS	L3DA4U1UKL-CV240
<b>Length</b>	4.98"
<b>Width</b>	4.00"
<b>Depth</b>	2.62"



Luminii is a Lutron OEM Advantage Partner

### Lutron Power Supplies 0.1%

MODEL

<b>L3D0-96W24V-U</b>
----------------------

HiLume™ 0.1% EcoSystem Voltage LED Driver with Soft-On, Fade-to-Black™  
96W max

MODELS	L3D0
<b>Length</b>	10.50"
<b>Width</b>	5.50"
<b>Depth</b>	2.00"

