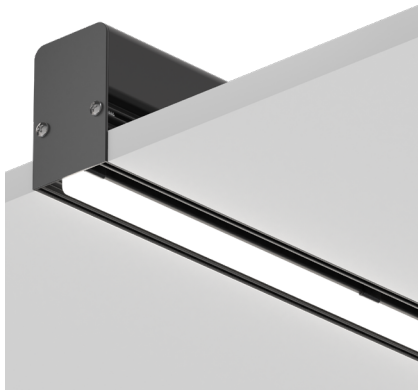
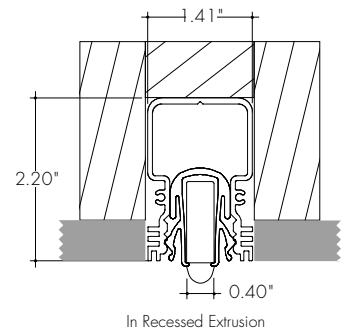


# Plexineon Recessed Mount

Static White and Monochrome Colors



- For interior accent lighting.
- Neon look providing a crisp, clear line of light visible for miles
- Mounting Clips are included in the appropriate quantities
- Operating Temperature: -40° F to 140° F (-40° C to 60° C)
- 24VDC Class 2
- IK10 and 3G rated
- 5 year warranty indoor



## Technical Information

MODEL	Plexineon Static White (30K)	Plexineon Monochrome Colors					
		Red	Blue	Green	Magenta	Teal	Yellow
<b>OUTPUT OPTIONS</b>	SO						
<b>Lumens Output (3000K)</b>	123 lm/ft	14 lm/ft	11 lm/ft	50 lm/ft	24 lm/ft	60 lm/ft	62 lm/ft
<b>Average Power Consumption (for a 4' section)</b>	3.2 W/ft	1.2 W/ft	1.4 W/ft	1.5 W/ft	2.6 W/ft	2.9 W/ft	2.7 W/ft
<b>Wavelength</b>	N/A	622 nm	468 nm	525 nm	567 nm	486 nm	563 nm
<b>Efficacy</b>	39 lm/W	12.1 lm/W	8.1 lm/W	33.8 lm/W	9.2 lm/W	20.9 lm/W	23.2 lm/W
<b>Order Increment</b>	1.97"						
<b>Max Run Length (in series)</b>	30 ft	32ft	32ft	32ft	32ft	32ft	32ft

CCT	Multiplier (reference - 3000K)	TM-30		
		CRI	R <sub>f</sub>	R <sub>g</sub>
2700K	0.94	90	88	97
3000k	1.00	90	87	97
3500k	1.02	90	87	97
4000k	1.02	90	84	92

## Ordering Code

MODEL	RUN LENGTH <sup>1</sup>	BEND	CCT	OUTPUT	LENS	MOUNTING <sup>2</sup>	FINISH	POWERFEED POSITION/TYPE
PX-Plexineon	____ - Run length in inches, 6" min, no max run length	SR-Straight Run	27K-2700K 30K-3000K 35K-3500K 40K-4000K B-Blue G-Green T-Teal Y-Yellow R-Red M-Magenta	SO-Standard	F-Frosted	RM-Recessed Mount	BK-Matte Black	B-4-Male Quick Connect One End, Female Quick Connect Other End

1. Available in 2"(1.97") increments, +/- 1/2" tolerance. Run Lengths over 96" (8ft) will be made of equal sections no longer than 96".  
 2. Recessed Mount includes all necessary hardware for either mud-in or hard ceiling (stone, marble) installation. Blocking above ceiling built by others.

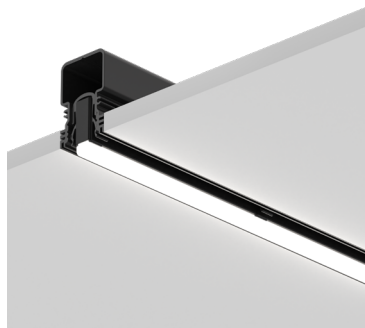
# Plexineon Recessed Mount

Static White and Monochrome Colors

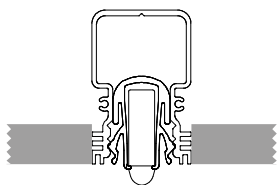


## Installation Configurations

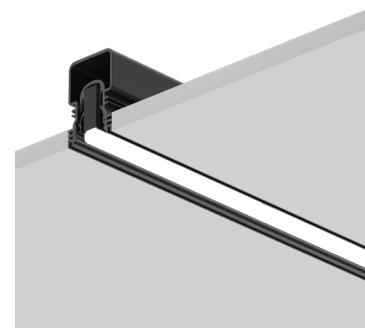
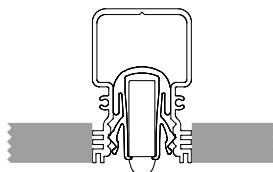
- Position of Plexineon fixtures within Extrusion Housing is adjustable in the field at time of install.



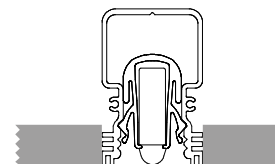
Exposed



Semi-Recessed



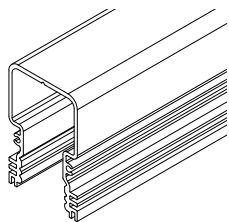
Fully Recessed



## Recessed Mounting Components & Tools

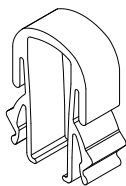
- Mounting Hardware is included with Plexineon runs in the appropriate quantity, including Extrusion Housing and Plaster Plate. Order extras as desired. Blocking above ceiling built by others.

**75-EXT01-001-00**  
Extrusion Housing (Black)



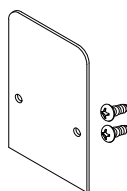
Mount to deck or support backing above ceiling. Ships in 96" sections, field cut to size

**75-CLP32-001-00**  
Recessed Mounting Clip



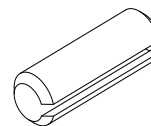
Placed approximately every 30" as well as 2" from the ends. **Use Glue to adhere with Plexineon fixture.**

**80-MTP01-001-00**  
End Plate



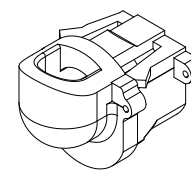
Two per continuous run

**80-PIN03-001-00**  
Alignment Pin



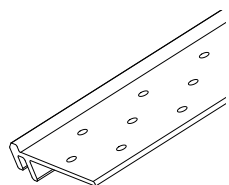
Two for every Extrusion to Extrusion connection.

**80-BSH02-001-00**  
Powerfeed Strain Relief



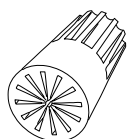
One per driver connection

**35-EXT01-001-00**  
Plaster Plate, Mud-in

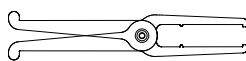


Used for drywall install and mud-in applications

**60-12-22AWGSBWN**  
Weatherproof Wire Nut Silicone Filled

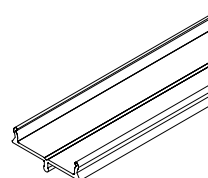


**70-TOL03-001-00**  
Tool



Allows for changing of installation configurations

**35-EXT03-001-00**  
Paint Mask



Protects interior of the Extrusion Housing during mud-in and paint

**45-GLU01-001-00**  
Glue

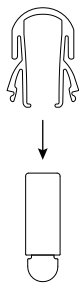


Used to adhere Recessed Mounting Clips to Plexineon fixture

# Plexineon Recessed Mount

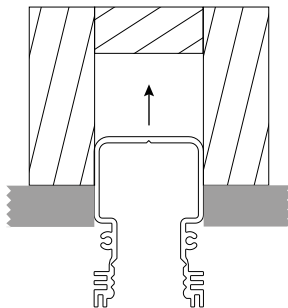
Static White and Monochrome Colors

## Recessed Mounting Installation

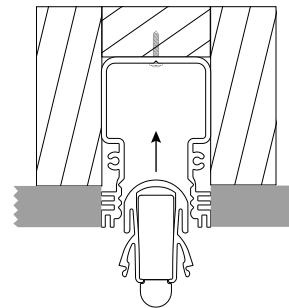


Install Recessed Mounting Clips onto plexineon straight run fixture. **Use glue to fill any gaps between clip and fixture.**

Note: use 1 clip per approximately every 30".



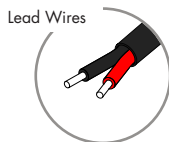
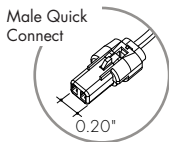
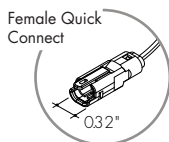
Build blocking above ceiling plane. Screw onto the support blocking or deck.



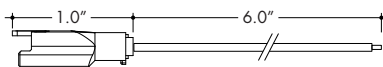
Install Plexineon with Recessed Mounting Clips into Extrusion Housing at desired position.

## Powerfeed and Connectors

- Connectors are included in the Plexineon runs per CCT option selected. Order extras as desired.



**60-SJ-0002-08**  
Female Quick Connect  
with 6" flying leads

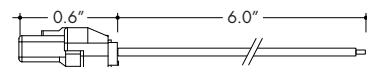


Female Quick Connect with flying leads can be connected to the Power Supply at the start of a run. Can also be used with the Male Quick Connect to make wire jumpers.

Also available with longer Flying Leads

**60-SJ-C2-0002-01**  
Female Quick Connect  
with 120" flying leads

**60-SJ-0001-08**  
Male Quick Connect  
with 6" flying leads



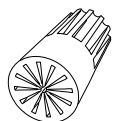
Male Quick Connect with flying leads can be used to make wire jumpers.

Also available with longer Flying Leads

**60-SJ-C2-0001-01**  
Male Quick Connect  
with 120" flying leads

## Additional Material

**60-12-22AWGSBWN**  
Weatherproof Wire Nut Silicone Filled



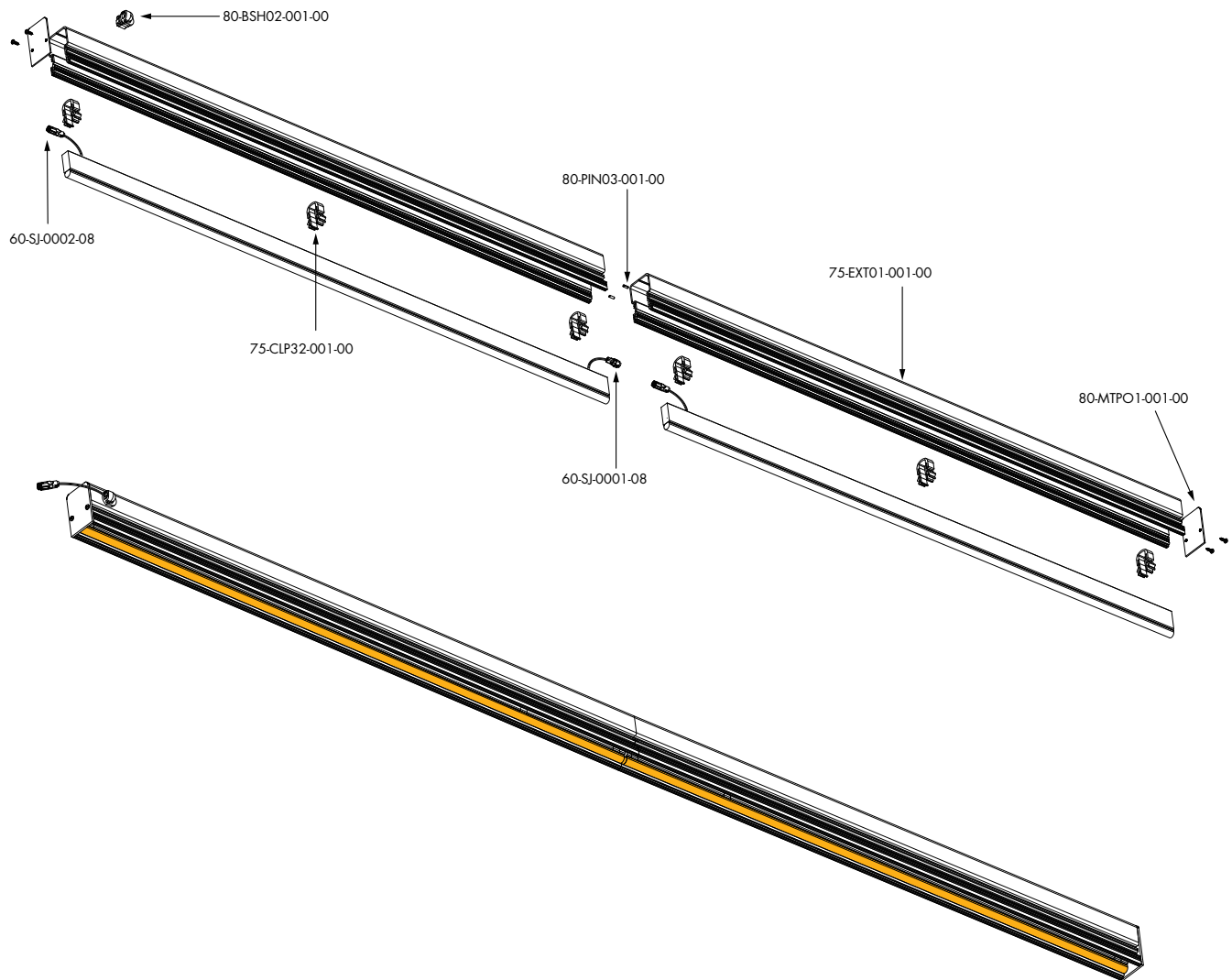
Order 2 per Power Supply.

# Plexineon Recessed Mount

Static White and Monochrome Colors

## Sample Layout

**PX-108-SR-30K-50-F-RM-BK-B-4**  
Plexineon Recessed



# Plexineon Recessed Mount

Static White and Monochrome Colors



## Power Consumption

Tested at Full Power with PDC Series power supplies.

Standard Nominal Lengths offered provide minimal shadowing. For alternate lengths, please consult Inside Sales with specific request.

### Static White

Nominal Length (in)	Actual Length	Watts	Nominal Length (in)	Actual Length	Watts
<b>7</b>	6 6/16	1.5	<b>54</b>	53 10/16	14.5
<b>9</b>	8 6/16	2.1	<b>56</b>	55 10/16	15.2
<b>11</b>	10 5/16	2.6	<b>58</b>	57 9/16	15.7
<b>13</b>	12 5/16	3.1	<b>60</b>	59 9/16	16.2
<b>15</b>	14 4/16	3.6	<b>62</b>	61 8/16	16.6
<b>17</b>	16 4/16	4.1	<b>64</b>	63 8/16	17.4
<b>19</b>	18 3/16	4.8	<b>66</b>	65 7/16	17.6
<b>20</b>	20 3/16	5.3	<b>68</b>	67 7/16	18.1
<b>22</b>	22 2/16	5.8	<b>70</b>	69 6/16	18.5
<b>24</b>	24 2/16	6.5	<b>72</b>	71 6/16	19.3
<b>26</b>	26 1/16	7	<b>74</b>	73 5/16	19
<b>28</b>	28 1/16	7.5	<b>76</b>	75 5/16	19.5
<b>30</b>	30	8.2	<b>78</b>	77 4/16	20
<b>32</b>	32	8.7	<b>80</b>	79 4/16	20.7
<b>34</b>	33 15/16	9.2	<b>82</b>	81 3/16	21.2
<b>36</b>	35 15/16	9.9	<b>83</b>	83 3/16	21.7
<b>38</b>	37 14/16	10.4	<b>85</b>	85 2/16	22.4
<b>40</b>	39 14/16	10.8	<b>87</b>	87 2/16	22.9
<b>42</b>	41 13/16	11.6	<b>89</b>	89 1/16	23.4
<b>44</b>	43 13/16	11.9	<b>91</b>	91 1/16	23.9
<b>46</b>	45 12/16	12.5	<b>93</b>	93	24.3
<b>48</b>	47 12/16	12.8	<b>95</b>	95	24.8
<b>50</b>	49 11/16	13.5			
<b>52</b>	51 11/16	14			

# Plexineon Recessed Mount

Static White and Monochrome Colors



## Power Consumption

Tested at Full Power with PDC Series power supplies.

Standard Nominal Lengths offered provide minimal shadowing. For alternate lengths, please consult Inside Sales with specific request.

Nominal Length (in)	Actual Length	Monochrome						Nominal Length (in)	Actual Length	Monochrome					
		Watts								Watts					
		Red	Yellow	Green	Teal	Blue	Magenta			Red	Yellow	Green	Teal	Blue	Magenta
<b>7</b>	6 6/16	0.6	1.4	0.8	1.4	0.7	1.4	<b>54</b>	53 10/16	5.3	12.5	7.0	13.7	6.5	12.1
<b>9</b>	8 6/16	0.8	1.6	1.0	1.9	1.0	1.6	<b>56</b>	55 10/16	5.5	12.8	7.2	14.2	6.8	12.5
<b>11</b>	10 5/16	1.0	2.1	1.2	2.6	1.2	2.1	<b>58</b>	57 9/16	5.8	13.5	7.5	14.7	7.0	23.8
<b>13</b>	12 5/16	1.2	2.9	1.4	3.1	1.4	2.6	<b>60</b>	59 9/16	5.8	14.0	7.7	15.2	7.2	12.8
<b>15</b>	14 4/16	1.3	3.1	1.6	3.3	1.6	3.1	<b>62</b>	61 8/16	6.3	14.2	8.2	15.7	7.5	13.7
<b>17</b>	16 4/16	1.4	3.6	1.9	3.8	1.9	3.6	<b>64</b>	63 8/16	6.5	14.7	8.4	16.2	7.7	14.2
<b>19</b>	18 3/16	1.6	4.1	2.1	4.6	2.1	3.8	<b>66</b>	65 7/16	6.7	15.2	8.7	16.5	8.2	14.7
<b>20</b>	20 3/16	1.9	4.6	2.6	5.0	2.1	4.6	<b>68</b>	67 7/16	6.7	15.7	8.9	17.1	8.4	15.2
<b>22</b>	22 2/16	1.9	5.0	2.9	5.5	2.6	5.0	<b>70</b>	69 6/16	7.0	16.2	9.2	17.6	8.4	15.7
<b>24</b>	24 2/16	2.1	5.5	3.1	6.3	2.9	5.3	<b>72</b>	71 6/16	7.0	16.6	9.2	17.8	8.7	15.9
<b>26</b>	26 1/16	2.6	6.3	3.3	6.7	3.1	5.8	<b>74</b>	73 5/16	7.2	17.1	9.4	18.3	8.9	16.3
<b>28</b>	28 1/16	2.9	6.5	3.6	7.0	3.3	6.3	<b>76</b>	75 5/16	7.5	17.4	9.9	18.8	9.2	16.6
<b>30</b>	30	3.1	7.0	3.8	7.5	3.6	6.7	<b>78</b>	77 4/16	7.7	17.8	10.1	19.3	9.4	17.1
<b>32</b>	32	3.1	7.2	4.1	8.2	3.8	7.0	<b>80</b>	79 4/16	7.7	18.1	10.4	19.8	9.6	17.6
<b>34</b>	33 15/16	3.3	7.7	4.6	8.7	4.1	7.5	<b>82</b>	81 3/16	8.2	18.3	10.6	20.2	9.9	18.1
<b>36</b>	35 15/16	3.6	8.4	4.8	9.1	4.6	8.2	<b>83</b>	83 3/16	8.4	19.1	10.8	21.0	10.1	18.3
<b>38</b>	37 14/16	3.8	8.9	5.0	9.7	4.8	8.4	<b>85</b>	85 2/16	8.4	19.3	10.8	21.2	10.4	18.8
<b>40</b>	39 14/16	3.8	9.2	5.3	10.1	4.8	8.9	<b>87</b>	87 2/16	8.7	19.8	11.1	21.7	10.6	19.0
<b>42</b>	41 13/16	4.1	9.9	5.3	10.6	5.0	9.4	<b>89</b>	89 1/16	8.9	20.0	11.6	21.9	10.8	19.5
<b>44</b>	43 13/16	4.6	10.1	5.5	11.1	5.3	9.9	<b>91</b>	91 1/16	9.2	21.0	11.8	22.9	11.1	20.0
<b>46</b>	45 12/16	4.6	10.6	6.1	11.8	5.5	10.4	<b>93</b>	93	9.2	21.0	11.8	23.1	11.1	20.3
<b>48</b>	47 12/16	4.8	11.1	6.3	12.3	5.8	10.6	<b>95</b>	95	9.2	21.0	11.8	23.2	11.6	20.7
<b>50</b>	49 11/16	5.0	11.6	6.5	12.5	6.3	11.1								
<b>52</b>	51 11/16	5.3	12.1	6.7	13.0	6.5	11.6								



### Voltage Drop Calculator

The below chart assumes nominal voltage of 24 Volts and a Voltage Drop Allowance of 3% through the wire

Wattage [W]	Maximum Wire Length From Power Supply to Start of Run [ft]						
	12 AWG	14 AWG	16 AWG	18 AWG	20 AWG	22 AWG	24 AWG
<b>5</b>	1088.2	684.4	430.3	270.6	170.2	107.1	67.3
<b>10</b>	544.1	342.2	215.1	135.3	85.1	53.5	33.7
<b>15</b>	362.7	228.1	143.4	90.2	56.7	35.7	22.4
<b>20</b>	272.0	171.1	107.6	67.7	42.6	26.8	16.8
<b>25</b>	217.6	136.9	86.1	54.1	34.0	21.4	13.5
<b>30</b>	181.4	114.1	71.7	45.1	28.4	17.8	11.2
<b>35</b>	155.5	97.8	61.5	38.7	24.3	15.3	9.6
<b>40</b>	136.0	85.5	53.8	33.8	21.3	13.4	8.4
<b>45</b>	120.9	76.0	47.8	30.1	18.9	11.9	7.5
<b>50</b>	108.8	68.4	43.0	27.1	17.0	10.7	6.7
<b>55</b>	98.9	62.2	39.1	24.6	15.5	9.7	6.1
<b>60</b>	90.7	57.0	35.9	22.6	14.2	8.9	5.6
<b>65</b>	83.7	52.6	33.1	20.8	13.1	8.2	5.2
<b>70</b>	77.7	48.9	30.7	19.3	12.2	7.6	4.8
<b>75</b>	72.5	45.6	28.7	18.0	11.3	7.1	4.5
<b>80</b>	68.0	42.8	26.9	16.9	10.6	6.7	4.2
<b>85</b>	64.0	40.3	25.3	15.9	10.0	6.3	4.0
<b>90</b>	60.5	38.0	23.9	15.0	9.5	5.9	3.7
<b>96</b>	56.7	35.6	22.4	14.1	8.9	5.6	3.5

# Plexineon Recessed Mount

Static White and Monochrome Colors

ilight  
by luminii



## Common Applications

Custom Indoor Designs | Coves | Signs | Building Facades | Lobbies | Hallways | Statement Pieces | Restaurants  
Corporate Offices | Schools | Residential Towers | Parking Garages | Hotels | Bridges | Benches | Airports





# Plexineon Recessed Mount

Static White and Monochrome Colors



## Power Supplies

See Power Supply instructions and spec sheet for wiring information. For a complete list of compatible dimmers, see Compatible Dimming Chart on the Resources page.

### Ordering Code Universal Dimming Power Supplies 1% 120VAC - 277VAC

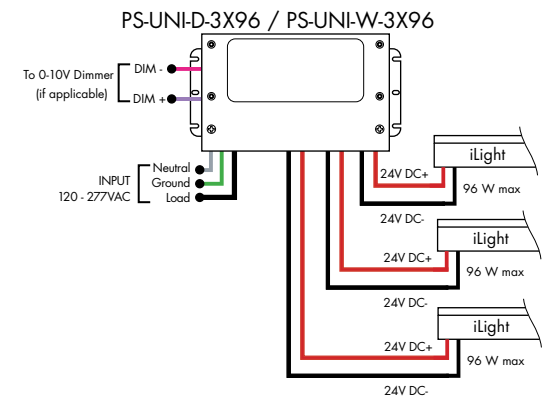
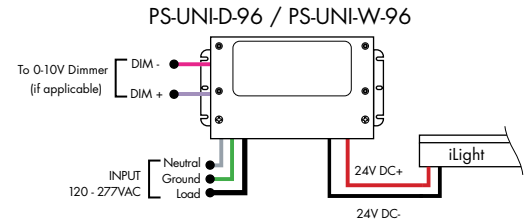
MODEL	INPUT CONTROL	ENVIRONMENT	WATTAGE	OUTPUT
PS-Power Supply, 120-277VAC	UNI-0-10V Dimming, Phase Dimming	D-Dry W-Wet	30-30 Watts 60-60 Watts 96-96 Watts 3x96-3x96 Watts	24-24 VDC

Compatibility: View a complete list of compatible dimmers on product page [Link](#)

0-10V - 1% dimming  
MLV/ELV/TRIAC - 1% dimming, consult dimming compatibility chart

MODELS	PS-UNI-W-30W	PS-UNI-W-60W	PS-UNI-W-96W	PS-UNI-W-3X96W
Length	6.50"	7.40"	8.66"	11.85"
Width	3.73"	3.73"	3.73"	4.32"
Depth	1.61"	1.61"	1.61"	1.81"

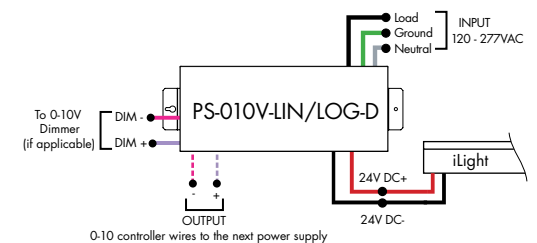
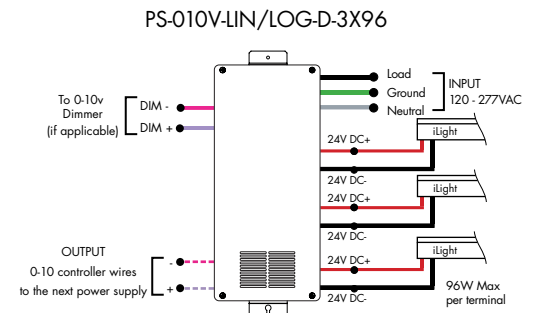
MODELS	PS-UNI-D-30W	PS-UNI-D-60W	PS-UNI-D-96W	PS-UNI-D-3X96W
Length	8.77"	8.77"	8.11"	9.94"
Width	4.27"	4.27"	5.60"	7.61"
Depth	1.83"	1.83"	1.83"	2.02"



### Ordering Code 0-10V Dimming Power Supplies 0.1% 120VAC - 277VAC

MODEL	INPUT CONTROL	ENVIRONMENT	WATTAGE	OUTPUT
PS-Power Supply, 120-277VAC	010VLIN-0-10V Dimming (0.1%), Linear 010VLOG-0-10V Dimming (0.1%), Logarithmic	D-Dry	96-96 Watts 3X96-3x96 Watts	24-24 VDC

MODELS	96W	3X96
Length	14.40"	15.00"
Width	5.20"	6.62"
Depth	2.60"	4.45"



# Plexineon Recessed Mount

Static White and Monochrome Colors



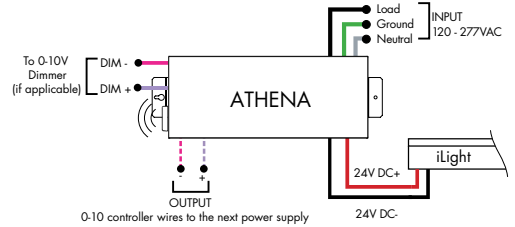
## Power Supplies

See Power Supply instructions and spec sheet for wiring information. For a complete list of compatible dimmers, see Compatible Dimming Chart on the Resources page.

### Athena 0-10V LED Driver

MODEL	INPUT CONTROL	ENVIRONMENT	WATTAGE	OUTPUT	FEATURE
PS-Power Supply, 120-277VAC	010V-LIN-0-10V Dimming, Linear 010V-LOG 0-10V Dimming, Logarithmic	D-Dry	96-96 W	24-24 VDC	AWN-R-Athena

MODELS	96W
<b>Length</b>	14.40"
<b>Width</b>	5.20"
<b>Depth</b>	2.60"

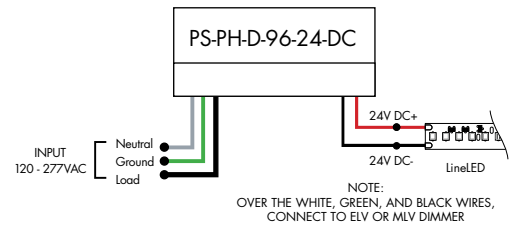


### Ordering Code Phase Dimming Power Supply 1% 120VAC - 277VAC

MODEL	INPUT CONTROL	ENVIRONMENT	WATTAGE	OUTPUT	OUTPUT CONTROL
PS-Power Supply, 120-277VAC	PH-Phase Dimming (Triac, ELV, MLV)	D-Dry	96-96 Watts	24-24 VDC	DC-Direct Current

MLV/ELV/TRIAC - 1% dimming, consult dimming compatibility chart ([link](#))

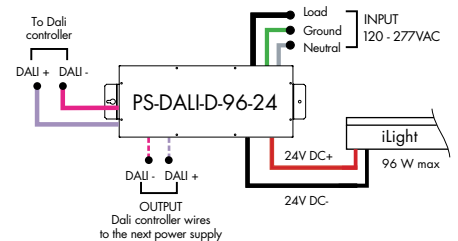
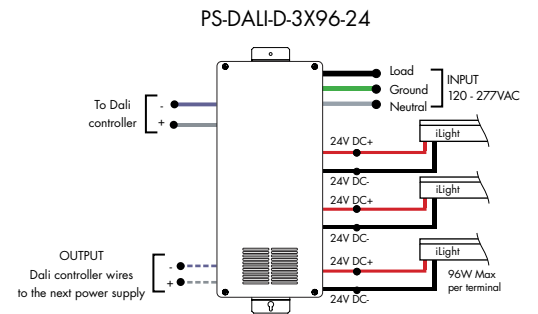
MODELS	96W
<b>Length</b>	8.25"
<b>Width</b>	4.10"
<b>Depth</b>	1.56"



### Ordering Code DALI Dimming Power Supplies 0.1% 120VAC - 277VAC

MODEL	INPUT CONTROL	ENVIRONMENT	WATTAGE	OUTPUT
PS-Power Supply, 120-277VAC	DALI-DALI (0.1%)	D-Dry	96-96 Watts 3X96-3X96 Watts	24-24 VDC

Model	96W	3X96
<b>Length</b>	14.40"	15.00"
<b>Width</b>	5.20"	6.62"
<b>Depth</b>	2.60"	4.56"



# Plexineon Recessed Mount

Static White and Monochrome Colors



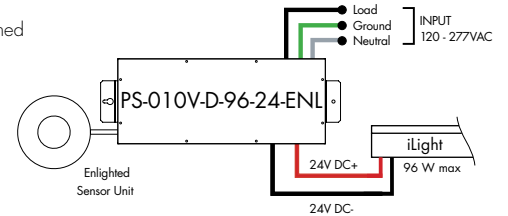
## Power Supplies

See Power Supply instructions and spec sheet for wiring information. For a complete list of compatible dimmers, see Compatible Dimming Chart on the Resources page.

### Ordering Code Enlightened Enabled Dimming Power Supplies 1% 120VAC - 277VAC

MODEL	INPUT CONTROL	ENVIRONMENT	WATTAGE	OUTPUT	FEATURE
PS-Power Supply, 120-277VAC	010V-0-10V Dimming (1%)	D-Dry	96-96 Watts	24-24 VDC	ENL-0-10V Enlightened

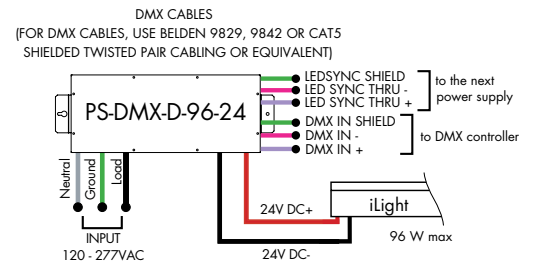
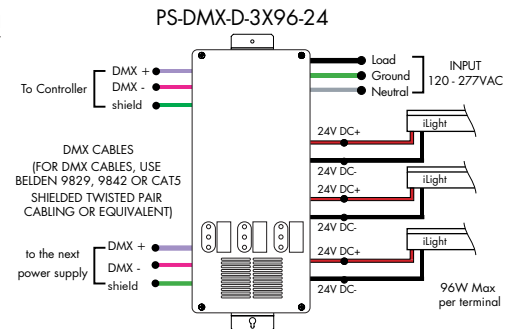
<b>Model</b>	<b>96W</b>
<b>Length</b>	14.40"
<b>Width</b>	5.20"
<b>Depth</b>	2.60"



### Ordering Code DMX Dimming Power Supplies 0.1% 120VAC - 277VAC Requires Zonal Control

MODEL	INPUT CONTROL	ENVIRONMENT	WATTAGE	OUTPUT
PS-Power Supply, 120-277VAC	DMX-DMX (0.1%)	D-Dry	96-96 Watts 3X96-3X96 Watts	24-24 VDC

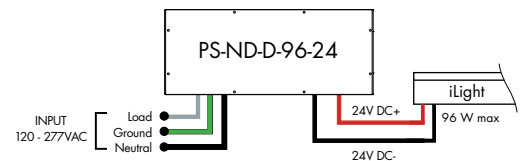
MODELS	96W	3X96
<b>Length</b>	14.40"	15.00"
<b>Width</b>	5.20"	6.62"
<b>Depth</b>	2.60"	4.56"



### Ordering Code Non-Dimming Power Supply 120VAC - 277VAC

MODEL	INPUT CONTROL	ENVIRONMENT	WATTAGE	OUTPUT
PS-Power Supply, 120-277VAC	ND-Non Dimming	D-Dry	96-96 Watts	24-24 VDC

<b>MODELS</b>	<b>96W</b>
<b>Length</b>	14.40"
<b>Width</b>	5.20"
<b>Depth</b>	2.60"



# Plexineon Recessed Mount

Static White and Monochrome Colors

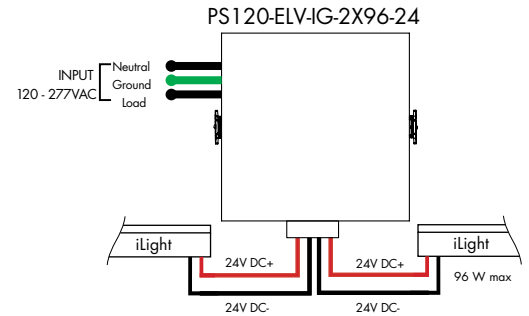


## Power Supplies

See Power Supply instructions and spec sheet for wiring information. For a complete list of compatible dimmers, see Compatible Dimming Chart on the Resources page.

### Ordering Code In-Ground Power Supplies

MODEL	INPUT CONTROL	ENVIRONMENT	WATTAGE	OUTPUT
PS120-Power Supply, 120VAC PS240-Power Supply, 240VAC PS277-Power Supply, 277VAC	ELV-ELV Dimming (1%)	IG-In Ground	2X96-2X96 Watts	24-24 VDC



MODELS	2X96W
<b>Length</b>	8.40"
<b>Width</b>	8.30"
<b>Depth</b>	8.10"



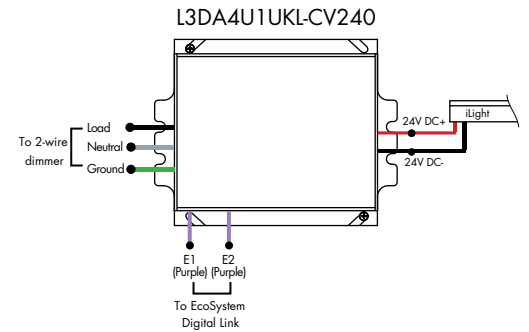
Luminii is a Lutron OEM Advantage Partner  
Lutron Power Supplies 1%

MODEL

**L3DA4U1UKL-CV240**

HiLume™ 1% EcoSystem Voltage LED driver  
40W max

MODELS	L3DA4U1UKL-CV240
<b>Length</b>	4.98"
<b>Width</b>	4.00"
<b>Depth</b>	2.62"



Luminii is a Lutron OEM Advantage Partner  
Lutron Power Supplies 0.1%

MODEL

**L3D0-96W24V-U**

HiLume™ 0.1% EcoSystem Voltage LED Driver with Soft-On, Fade-to-Black™  
96W max

MODELS	L3D0
<b>Length</b>	10.50"
<b>Width</b>	5.50"
<b>Depth</b>	2.00"

