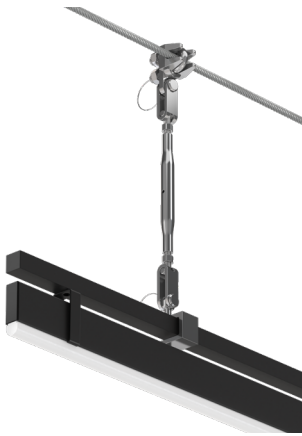
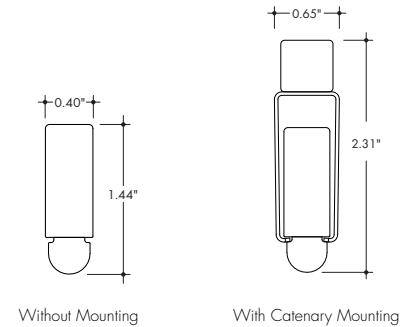


# Plexineon Catenary Mount

Static White and Monochrome Colors



- For interior and exterior accent lighting
- Neon look providing a clear line of light visible for miles
- Includes Turnbuckles, Mounting Frame, Mounting Clips, and other hardware necessary to assemble to Catenary Cable
- Catenary Cable, Poles, Cable Eyes, and other Cable support hardware by others
- Operating Temperature: -40° F to 140° F (-40° C to 60° C)
- 24VDC Class 2
- IK10 and 3G rated
- IP67 rated
- 3 year warranty outdoor



## Technical Information

MODEL	Plexineon Static White (30K)	Plexineon Monochrome Colors					
		Red	Blue	Green	Magenta	Teal	Yellow
<b>OUTPUT OPTIONS</b>	SO						
<b>Lumens Output (3000K)</b>	123 lm/ft	14 lm/ft	11 lm/ft	50 lm/ft	24 lm/ft	60 lm/ft	62 lm/ft
<b>Average Power Consumption</b> (for a 4' section)	3.2 W/ft	1.2 W/ft	1.4 W/ft	1.5 W/ft	2.6 W/ft	2.9 W/ft	2.7 W/ft
<b>Wavelength</b>	N/A	622 nm	468 nm	525 nm	567 nm	486 nm	563 nm
<b>Efficacy</b>	39 lm/W	12.1 lm/W	8.1 lm/W	33.8 lm/W	9.2 lm/W	20.9 lm/W	23.2 lm/W
<b>Order Increment</b>	1.97"						
<b>Max Run Length</b> (in series)	30 ft	32ft	32ft	32ft	32ft	32ft	32ft

CCT	Multiplier (reference - 3000K)	TM-30		
		CRI	R <sub>f</sub>	R <sub>g</sub>
2700K	0.94	90	88	97
3000k	1.00	90	87	97
3500k	1.02	90	87	97
4000k	1.02	90	84	92

## Ordering Code

MODEL	RUN LENGTH <sup>2</sup>	BEND	CCT	OUTPUT	LENS	MOUNTING	FINISH	POWERFEED POSITION/TYPE
PX-Plexineon <sup>1</sup>	-Run length in inches, 6" min, no max run length	SR-Straight Run	27K-2700K 30K-3000K 35K-3500K 40K-4000K B-Blue G-Green T-Teal Y-Yellow R-Red M-Magenta	SO-Standard	F-Frosted	CD-Catenary Mount, Decorative Clips <sup>3</sup>	GG-Gloss Grey BK-Matte Black GY-Matte Grey WH-Matte White	B-4-Male Quick Connect One End, Female Quick Connect Other End

1. Standard lead time 8 weeks.  
2. Static White and Monochrome colors are available in 2" (1.97") increments, +/- 1/2" tolerance. Run Lengths over 96" (8ft) will be made of equal sections no longer than 96".

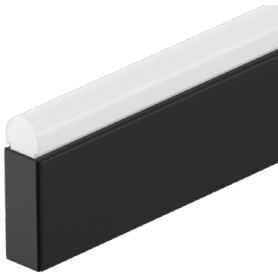
3. Catenary Mount fixtures include a fixture mounting frame and all mounting components necessary to attach to Catenary Cable (by others). Decorative mounting clips included approximately every 18" of linear/arc length and match the fixture finish.

# Plexineon Catenary Mount

Static White and Monochrome Colors

## Finish Options

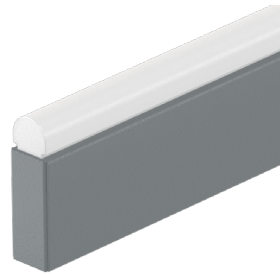
**BK**  
Matte Black Finish



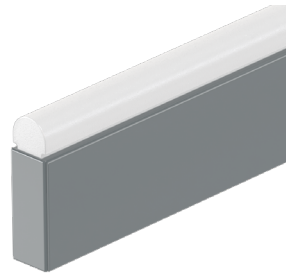
**WH**  
Matte White Finish



**GY**  
Matte Grey Finish



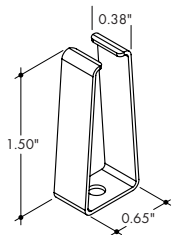
**GG**  
Gloss Grey Finish



## Mounting Components

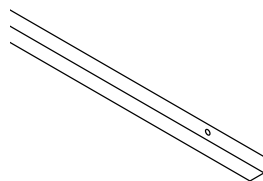
**CD**

Catenary Mount, Decorative Clip



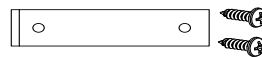
Thinner clip with finish options to match fixtures

Mounting Frame



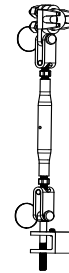
Mounting clips are riveted at the factory to the Mounting Frame. Finish matches Ordering Code Finish selected

Mounting Frame Joiner



Assembles Mounting Frame together for runs over 96" (8ft)

Adjustable Turnbuckle



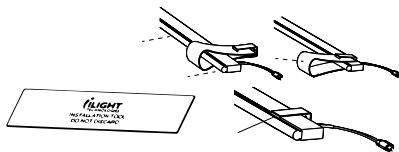
Able to adjust up to 2.5" vertically

## Additional Material

- Ordered separately.

**70-TOL02-001-01**

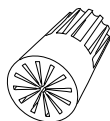
Mounting Clip  
Installation Tool



Use for installation of Plexineon into Mounting Clips

**60-12-22AWGSBWN**

Weatherproof Wire Nut  
Silicone Filled



Order 2 per Power Supply

**55-STW02-050-00**

50 ft of 14 gauge wire Black jacket,  
2 conductors



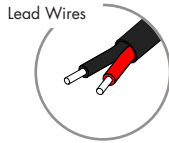
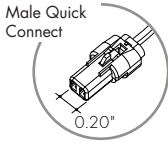
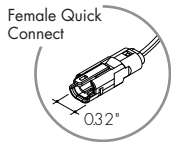
Sunlight, moisture resistant, and flame retardant PVC jacket per UL 1277

# Plexineon Catenary Mount

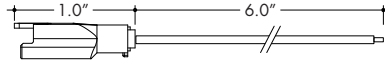
Static White and Monochrome Colors

## Powerfeed and Connectors

- Connectors are included in the Plexineon runs per CCT option selected. Order extras as desired.



**60-SJ-0002-08**  
Female Quick Connect  
with 6" flying leads

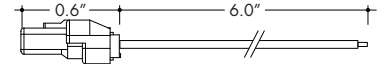


Female Quick Connect with flying leads can be connected to the Power Supply at the start of a run. Can also be used with the Male Quick Connect to make wire jumpers.

Also available with longer Flying Leads

**60-SJ-C2-0002-01**  
Female Quick Connect  
with 120" flying leads

**60-SJ-0001-08**  
Male Quick Connect  
with 6" flying leads



Male Quick Connect with flying leads can be used to make wire jumpers.

Also available with longer Flying Leads

**60-SJ-C2-0001-01**  
Male Quick Connect  
with 120" flying leads

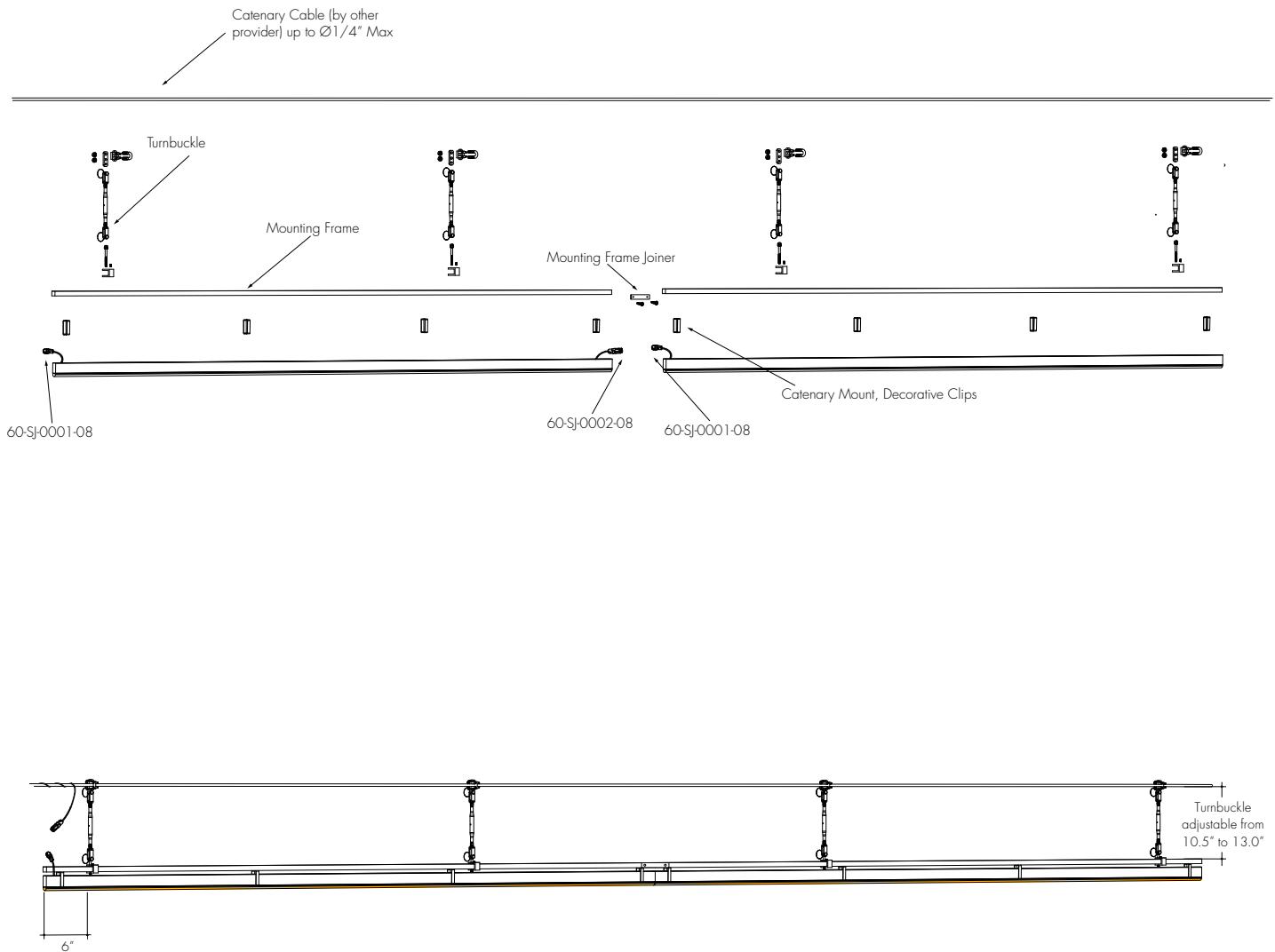
# Plexineon Catenary Mount

Static White and Monochrome Colors

## Sample Layout

### PX-144-SR-30K-SO-F-CD-GG-B-4

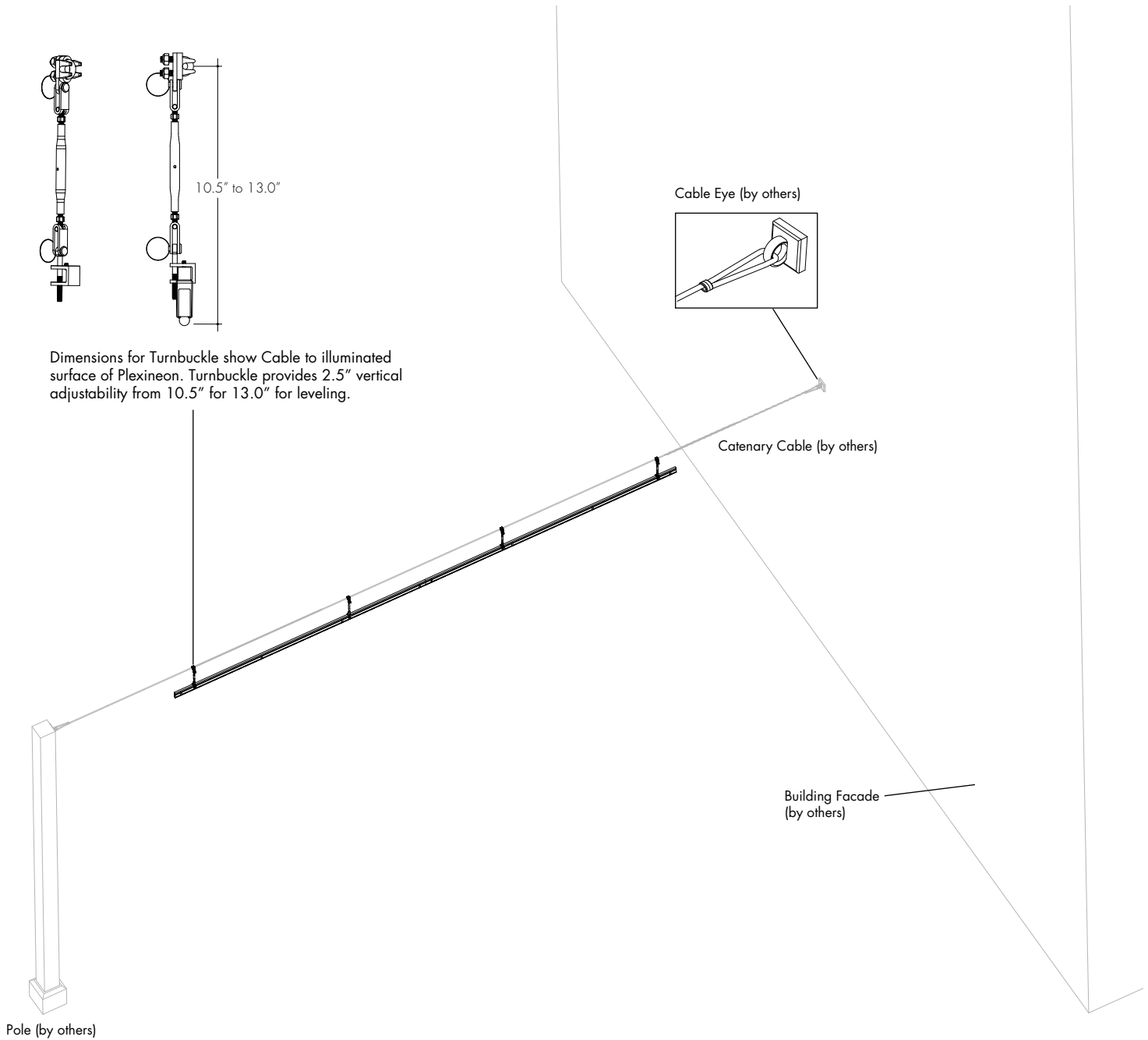
Plexineon Straight, Catenary Mount, Decorative Clips



# Plexineon Catenary Mount

Static White and Monochrome Colors

## Sample Layout



# Plexineon Catenary Mount

Static White and Monochrome Colors



## Power Consumption

Tested at Full Power with PDC Series power supplies.

Standard Nominal Lengths offered provide minimal shadowing. For alternate lengths, please consult Inside Sales with specific request.

### Static White

Nominal Length (in)	Actual Length	Watts	Nominal Length (in)	Actual Length	Watts
<b>7</b>	6 6/16	1.5	<b>54</b>	53 10/16	14.5
<b>9</b>	8 6/16	2.1	<b>56</b>	55 10/16	15.2
<b>11</b>	10 5/16	2.6	<b>58</b>	57 9/16	15.7
<b>13</b>	12 5/16	3.1	<b>60</b>	59 9/16	16.2
<b>15</b>	14 4/16	3.6	<b>62</b>	61 8/16	16.6
<b>17</b>	16 4/16	4.1	<b>64</b>	63 8/16	17.4
<b>19</b>	18 3/16	4.8	<b>66</b>	65 7/16	17.6
<b>20</b>	20 3/16	5.3	<b>68</b>	67 7/16	18.1
<b>22</b>	22 2/16	5.8	<b>70</b>	69 6/16	18.5
<b>24</b>	24 2/16	6.5	<b>72</b>	71 6/16	19.3
<b>26</b>	26 1/16	7	<b>74</b>	73 5/16	19
<b>28</b>	28 1/16	7.5	<b>76</b>	75 5/16	19.5
<b>30</b>	30	8.2	<b>78</b>	77 4/16	20
<b>32</b>	32	8.7	<b>80</b>	79 4/16	20.7
<b>34</b>	33 15/16	9.2	<b>82</b>	81 3/16	21.2
<b>36</b>	35 15/16	9.9	<b>83</b>	83 3/16	21.7
<b>38</b>	37 14/16	10.4	<b>85</b>	85 2/16	22.4
<b>40</b>	39 14/16	10.8	<b>87</b>	87 2/16	22.9
<b>42</b>	41 13/16	11.6	<b>89</b>	89 1/16	23.4
<b>44</b>	43 13/16	11.9	<b>91</b>	91 1/16	23.9
<b>46</b>	45 12/16	12.5	<b>93</b>	93	24.3
<b>48</b>	47 12/16	12.8	<b>95</b>	95	24.8
<b>50</b>	49 11/16	13.5			
<b>52</b>	51 11/16	14			

# Plexineon Catenary Mount

Static White and Monochrome Colors



## Power Consumption

Tested at Full Power with PDC Series power supplies.

Standard Nominal Lengths offered provide minimal shadowing. For alternate lengths, please consult Inside Sales with specific request.

### Monochrome

Nominal Length (in)	Actual Length	Watts						Nominal Length (in)	Actual Length	Watts					
		Red	Yellow	Green	Teal	Blue	Magenta			Red	Yellow	Green	Teal	Blue	Magenta
<b>7</b>	6 6/16	0.6	1.4	0.8	1.4	0.7	1.4	<b>54</b>	53 10/16	5.3	12.5	7.0	13.7	6.5	12.1
<b>9</b>	8 6/16	0.8	1.6	1.0	1.9	1.0	1.6	<b>56</b>	55 10/16	5.5	12.8	7.2	14.2	6.8	12.5
<b>11</b>	10 5/16	1.0	2.1	1.2	2.6	1.2	2.1	<b>58</b>	57 9/16	5.8	13.5	7.5	14.7	7.0	23.8
<b>13</b>	12 5/16	1.2	2.9	1.4	3.1	1.4	2.6	<b>60</b>	59 9/16	5.8	14.0	7.7	15.2	7.2	12.8
<b>15</b>	14 4/16	1.3	3.1	1.6	3.3	1.6	3.1	<b>62</b>	61 8/16	6.3	14.2	8.2	15.7	7.5	13.7
<b>17</b>	16 4/16	1.4	3.6	1.9	3.8	1.9	3.6	<b>64</b>	63 8/16	6.5	14.7	8.4	16.2	7.7	14.2
<b>19</b>	18 3/16	1.6	4.1	2.1	4.6	2.1	3.8	<b>66</b>	65 7/16	6.7	15.2	8.7	16.5	8.2	14.7
<b>20</b>	20 3/16	1.9	4.6	2.6	5.0	2.1	4.6	<b>68</b>	67 7/16	6.7	15.7	8.9	17.1	8.4	15.2
<b>22</b>	22 2/16	1.9	5.0	2.9	5.5	2.6	5.0	<b>70</b>	69 6/16	7.0	16.2	9.2	17.6	8.4	15.7
<b>24</b>	24 2/16	2.1	5.5	3.1	6.3	2.9	5.3	<b>72</b>	71 6/16	7.0	16.6	9.2	17.8	8.7	15.9
<b>26</b>	26 1/16	2.6	6.3	3.3	6.7	3.1	5.8	<b>74</b>	73 5/16	7.2	17.1	9.4	18.3	8.9	16.3
<b>28</b>	28 1/16	2.9	6.5	3.6	7.0	3.3	6.3	<b>76</b>	75 5/16	7.5	17.4	9.9	18.8	9.2	16.6
<b>30</b>	30	3.1	7.0	3.8	7.5	3.6	6.7	<b>78</b>	77 4/16	7.7	17.8	10.1	19.3	9.4	17.1
<b>32</b>	32	3.1	7.2	4.1	8.2	3.8	7.0	<b>80</b>	79 4/16	7.7	18.1	10.4	19.8	9.6	17.6
<b>34</b>	33 15/16	3.3	7.7	4.6	8.7	4.1	7.5	<b>82</b>	81 3/16	8.2	18.3	10.6	20.2	9.9	18.1
<b>36</b>	35 15/16	3.6	8.4	4.8	9.1	4.6	8.2	<b>83</b>	83 3/16	8.4	19.1	10.8	21.0	10.1	18.3
<b>38</b>	37 14/16	3.8	8.9	5.0	9.7	4.8	8.4	<b>85</b>	85 2/16	8.4	19.3	10.8	21.2	10.4	18.8
<b>40</b>	39 14/16	3.8	9.2	5.3	10.1	4.8	8.9	<b>87</b>	87 2/16	8.7	19.8	11.1	21.7	10.6	19.0
<b>42</b>	41 13/16	4.1	9.9	5.3	10.6	5.0	9.4	<b>89</b>	89 1/16	8.9	20.0	11.6	21.9	10.8	19.5
<b>44</b>	43 13/16	4.6	10.1	5.5	11.1	5.3	9.9	<b>91</b>	91 1/16	9.2	21.0	11.8	22.9	11.1	20.0
<b>46</b>	45 12/16	4.6	10.6	6.1	11.8	5.5	10.4	<b>93</b>	93	9.2	21.0	11.8	23.1	11.1	20.3
<b>48</b>	47 12/16	4.8	11.1	6.3	12.3	5.8	10.6	<b>95</b>	95	9.2	21.0	11.8	23.2	11.6	20.7
<b>50</b>	49 11/16	5.0	11.6	6.5	12.5	6.3	11.1								
<b>52</b>	51 11/16	5.3	12.1	6.7	13.0	6.5	11.6								



### Voltage Drop Calculator

The below chart assumes nominal voltage of 24 Volts and a Voltage Drop Allowance of 3% through the wire

Wattage [W]	Maximum Wire Length From Power Supply to Start of Run [ft]						
	12 AWG	14 AWG	16 AWG	18 AWG	20 AWG	22 AWG	24 AWG
<b>5</b>	1088.2	684.4	430.3	270.6	170.2	107.1	67.3
<b>10</b>	544.1	342.2	215.1	135.3	85.1	53.5	33.7
<b>15</b>	362.7	228.1	143.4	90.2	56.7	35.7	22.4
<b>20</b>	272.0	171.1	107.6	67.7	42.6	26.8	16.8
<b>25</b>	217.6	136.9	86.1	54.1	34.0	21.4	13.5
<b>30</b>	181.4	114.1	71.7	45.1	28.4	17.8	11.2
<b>35</b>	155.5	97.8	61.5	38.7	24.3	15.3	9.6
<b>40</b>	136.0	85.5	53.8	33.8	21.3	13.4	8.4
<b>45</b>	120.9	76.0	47.8	30.1	18.9	11.9	7.5
<b>50</b>	108.8	68.4	43.0	27.1	17.0	10.7	6.7
<b>55</b>	98.9	62.2	39.1	24.6	15.5	9.7	6.1
<b>60</b>	90.7	57.0	35.9	22.6	14.2	8.9	5.6
<b>65</b>	83.7	52.6	33.1	20.8	13.1	8.2	5.2
<b>70</b>	77.7	48.9	30.7	19.3	12.2	7.6	4.8
<b>75</b>	72.5	45.6	28.7	18.0	11.3	7.1	4.5
<b>80</b>	68.0	42.8	26.9	16.9	10.6	6.7	4.2
<b>85</b>	64.0	40.3	25.3	15.9	10.0	6.3	4.0
<b>90</b>	60.5	38.0	23.9	15.0	9.5	5.9	3.7
<b>96</b>	56.7	35.6	22.4	14.1	8.9	5.6	3.5



# Plexineon Catenary Mount

Static White and Monochrome Colors



## Power Supplies

See Power Supply instructions and spec sheet for wiring information. For a complete list of compatible dimmers, see Compatible Dimming Chart on the Resources page.

### Ordering Code Universal Dimming Power Supplies 1% 120VAC - 277VAC

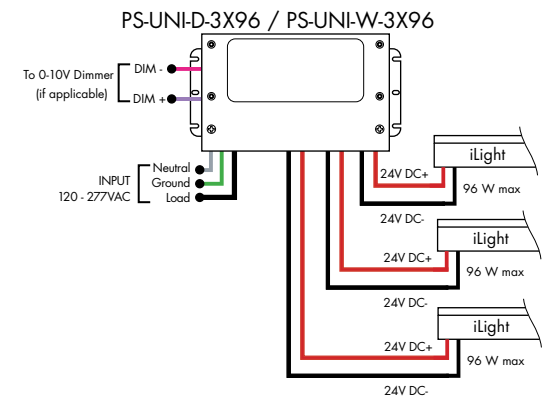
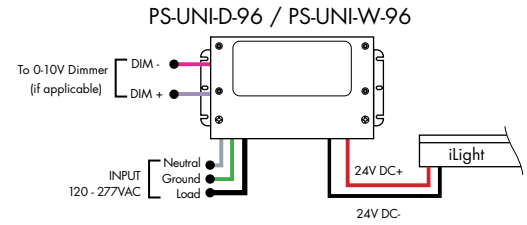
MODEL	INPUT CONTROL	ENVIRONMENT	WATTAGE	OUTPUT
PS-Power Supply, 120-277VAC	UNI-0-10V Dimming, Phase Dimming	D-Dry W-Wet	30-30 Watts 60-60 Watts 96-96 Watts 3x96-3x96 Watts	24-24 VDC

Compatibility: View a complete list of compatible dimmers on product page ([Link](#))

0-10V - 1% dimming  
MLV/ELV/TRIAC - 1% dimming, consult dimming compatibility chart

MODELS	PS-UNI-W-30W	PS-UNI-W-60W	PS-UNI-W-96W	PS-UNI-W-3X96W
Length	6.50"	7.40"	8.66"	11.85"
Width	3.73"	3.73"	3.73"	4.32"
Depth	1.61"	1.61"	1.61"	1.81"

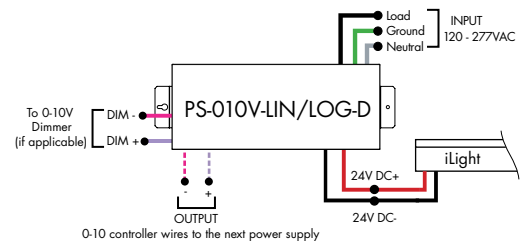
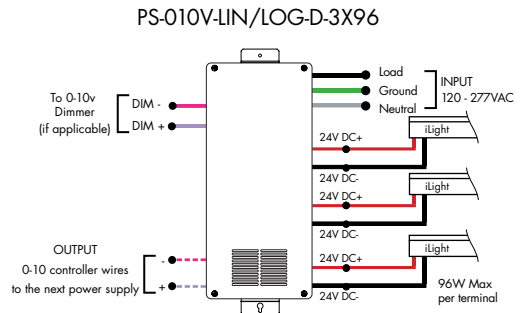
MODELS	PS-UNI-D-30W	PS-UNI-D-60W	PS-UNI-D-96W	PS-UNI-D-3X96W
Length	8.77"	8.77"	8.11"	9.94"
Width	4.27"	4.27"	5.60"	7.61"
Depth	1.83"	1.83"	1.83"	2.02"



### Ordering Code 0-10V Dimming Power Supplies 0.1% 120VAC - 277VAC

MODEL	INPUT CONTROL	ENVIRONMENT	WATTAGE	OUTPUT
PS-Power Supply, 120-277VAC	010VLIN-0-10V Dimming (0.1%), Linear 010VLOG-0-10V Dimming (0.1%), Logarithmic	D-Dry	96-96 Watts 3X96-3x96 Watts	24-24 VDC

MODELS	96W	3X96
Length	14.40"	15.00"
Width	5.20"	6.62"
Depth	2.60"	4.45"



# Plexineon Catenary Mount

Static White and Monochrome Colors



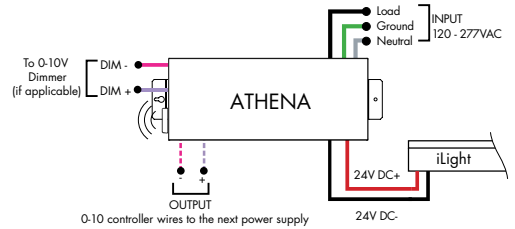
## Power Supplies

See Power Supply instructions and spec sheet for wiring information. For a complete list of compatible dimmers, see Compatible Dimming Chart on the Resources page.

### Athena 0-10V LED Driver

MODEL	INPUT CONTROL	ENVIRONMENT	WATTAGE	OUTPUT	FEATURE
PS-Power Supply, 120-277VAC	010V-LIN-0-10V Dimming, Linear 010V-LOG 0-10V Dimming, Logarithmic	D-Dry	96-96 W	24-24 VDC	AWN-R-Athena

MODELS	96W
<b>Length</b>	14.40"
<b>Width</b>	5.20"
<b>Depth</b>	2.60"

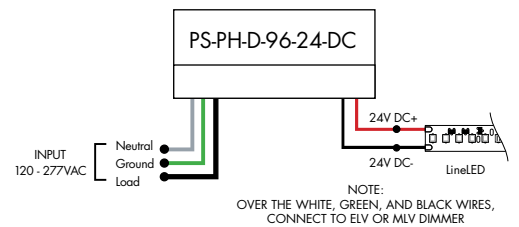


### Ordering Code Phase Dimming Power Supply 1% 120VAC - 277VAC

MODEL	INPUT CONTROL	ENVIRONMENT	WATTAGE	OUTPUT	OUTPUT CONTROL
PS-Power Supply, 120-277VAC	PH-Phase Dimming (Triac, ELV, MLV)	D-Dry	96-96 Watts	24-24 VDC	DC-Direct Current

MLV/ELV/TRIAC - 1% dimming, consult dimming compatibility chart ([Link](#))

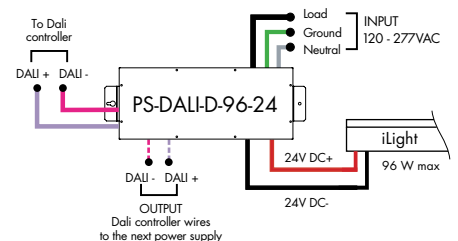
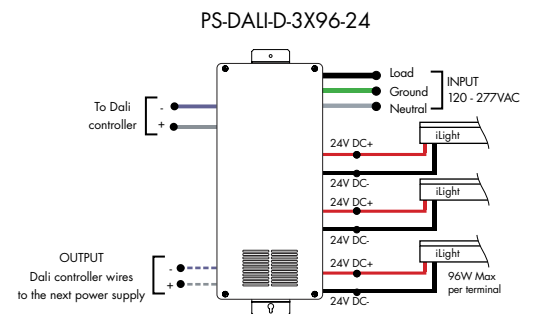
MODELS	96W
<b>Length</b>	8.25"
<b>Width</b>	4.10"
<b>Depth</b>	1.56"



### Ordering Code DALI Dimming Power Supplies 0.1% 120VAC - 277VAC

MODEL	INPUT CONTROL	ENVIRONMENT	WATTAGE	OUTPUT
PS-Power Supply, 120-277VAC	DALI-DALI (0.1%)	D-Dry	96-96 Watts 3X96-3X96 Watts	24-24 VDC

Model	96W	3X96
<b>Length</b>	14.40"	15.00"
<b>Width</b>	5.20"	6.62"
<b>Depth</b>	2.60"	4.56"



# Plexineon Catenary Mount

Static White and Monochrome Colors



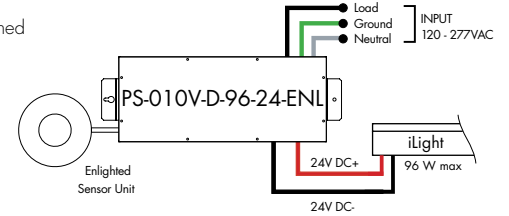
## Power Supplies

See Power Supply instructions and spec sheet for wiring information. For a complete list of compatible dimmers, see Compatible Dimming Chart on the Resources page.

### Ordering Code Enlightened Enabled Dimming Power Supplies 1% 120VAC - 277VAC

MODEL	INPUT CONTROL	ENVIRONMENT	WATTAGE	OUTPUT	FEATURE
PS-Power Supply, 120-277VAC	010V-0-10V Dimming (1%)	D-Dry	96-96 Watts	24-24 VDC	ENL-0-10V Enlightened

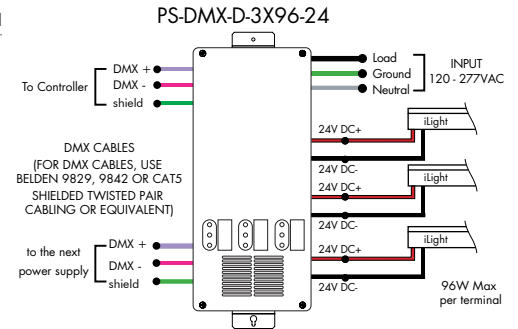
<b>Model</b>	<b>96W</b>
<b>Length</b>	14.40"
<b>Width</b>	5.20"
<b>Depth</b>	2.60"



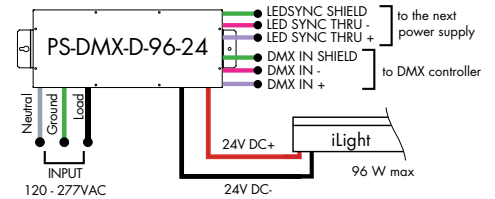
### Ordering Code DMX Dimming Power Supplies 0.1% 120VAC - 277VAC Requires Zonal Control

MODEL	INPUT CONTROL	ENVIRONMENT	WATTAGE	OUTPUT
PS-Power Supply, 120-277VAC	DMX-DMX (0.1%)	D-Dry	96-96 Watts 3X96-3X96 Watts	24-24 VDC

MODELS	96W	3X96
<b>Length</b>	14.40"	15.00"
<b>Width</b>	5.20"	6.62"
<b>Depth</b>	2.60"	4.56"



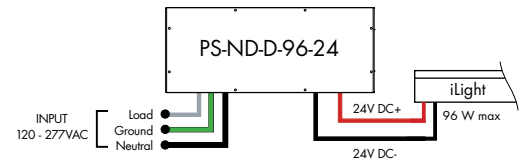
DMX CABLES  
(FOR DMX CABLES, USE BELDEN 9829, 9842 OR CAT5 SHIELDED TWISTED PAIR CABLING OR EQUIVALENT)



### Ordering Code Non-Dimming Power Supply 120VAC - 277VAC

MODEL	INPUT CONTROL	ENVIRONMENT	WATTAGE	OUTPUT
PS-Power Supply, 120-277VAC	ND-Non Dimming	D-Dry	96-96 Watts	24-24 VDC

<b>MODELS</b>	<b>96W</b>
<b>Length</b>	14.40"
<b>Width</b>	5.20"
<b>Depth</b>	2.60"



# Plexineon Catenary Mount

Static White and Monochrome Colors



## Power Supplies

See Power Supply instructions and spec sheet for wiring information. For a complete list of compatible dimmers, see Compatible Dimming Chart on the Resources page.



Luminii is a Lutron OEM Advantage Partner

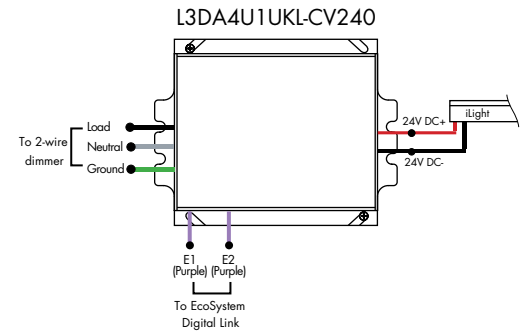
Lutron Power Supplies 1%

MODEL

**L3DA4U1UKL-CV240**

HiLume™ 1% EcoSystem Voltage LED driver  
40W max

MODELS	L3DA4U1UKL-CV240
Length	4.98"
Width	4.00"
Depth	2.62"



Luminii is a Lutron OEM Advantage Partner

Lutron Power Supplies 0.1%

MODEL

**L3D0-96W24V-U**

HiLume™ 0.1% EcoSystem Voltage LED Driver with Soft-On, Fade-to-Black™  
96W max

MODELS	L3D0
Length	10.50"
Width	5.50"
Depth	2.00"

