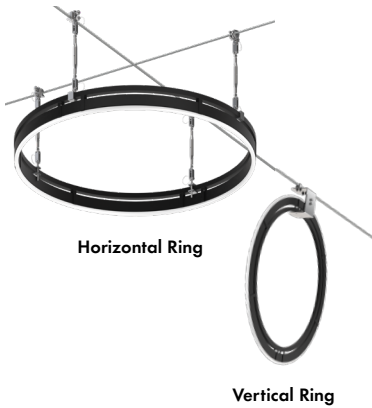
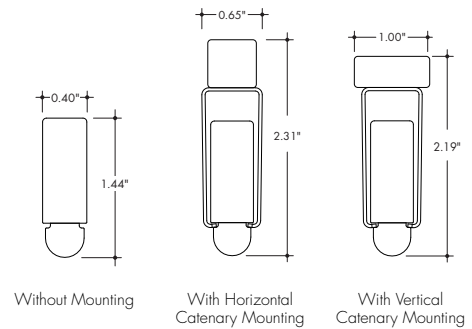


Plexineon Rings Catenary Mount

Static White and Monochrome Colors



- For interior and exterior accent lighting
- Neon look providing a clear line of light visible for miles
- Includes Turnbuckles, Collar, Mounting Frame, Mounting Clips, and other hardware necessary to assemble to Catenary Cable
- Catenary Cable, Poles, Cable Eyes, and other Cable support hardware by others
- Operating Temperature: -40° F to 140° F (-40° C to 60° C)
- 24VDC Class 2
- IK10 and 3G rated
- IP67 rated
- 3 year warranty outdoor



Technical Information

RING OUTER DIAMETER* (inch)	Plexineon Static White (30K)	Plexineon Monochrome Colors					
		Red	Blue	Green	Magenta	Teal	Yellow
WAVELENGTH	N/A	622 nm	468 nm	525 nm	567 nm	486 nm	563 nm
EFFICACY	39 lm/W	12.1 lm/W	8.1 lm/W	33.8 lm/W	9.2 lm/W	20.9 lm/W	23.2 lm/W
Ø36 (Ø3ft)	Lumen Output	1159 lm	132 lm	104 lm	471 lm	226 lm	565 lm
	Power Consumption	30.2 W	11.3 W	13.2 W	14.1 W	24.5 W	25.4 W
Ø72 (Ø6ft)	Lumen Output	2318 lm	264 lm	207 lm	942 lm	452 lm	1131 lm
	Power Consumption	60.3 W	22.6 W	26.4 W	28.3 W	49.0 W	50.9 W
Ø144 (Ø12ft)	Lumen Output	4637 lm	528 lm	415 lm	1885 lm	905 lm	2262 lm
	Power Consumption	120.6 W	45.2 W	52.8 W	56.5 W	98.0 W	101.8 W
Ø288 (Ø24)	Lumen Output	9274 lm	1056 lm	829 lm	3770 lm	1810 lm	4524 lm
	Power Consumption	241.3 W	90.5 W	105.6 W	113.1 W	196.0 W	218.7 W

*Rings will be made of equal sections no longer than 96" arc length. Rings exceeding 96W will have allowances for additional power feeds.

CCT	Multiplier (reference - 3000K)	TM-30		
		CRI	R _f	R _g
2700K	0.94	90	88	97
3000k	1.00	90	87	97
3500k	1.02	90	87	97
4000k	1.02	90	84	92

Ordering Code

MODEL	RING DIAMETER ²	RING TYPE	CCT	OUTPUT	LENS	MOUNTING	FINISH	POWERFEED POSITION/TYPE
PX-Plexineon ¹	_____-Ring outer diameter in inches, 6"-144" (12ft)	HR-Horizontal Ring VR-Vertical Ring ³	27K-2700K 30K-3000K 35K-3500K 40K-4000K B-Blue G-Green T-Teal Y-Yellow R-Red M-Magenta	SO-Standard	F-Frosted	CD-Catenary Mount, Decorative Clips ⁴	GG-Gloss Grey BK-Matte Black GY-Matte Grey WH-Matte White	B-4-Male Quick Connect One End, Female Quick Connect Other End

1. Standard lead time 8 weeks.
2. Rings will be made of equal sections no longer than 96" arc length. Tolerance on size of diameter is +/- 1".
3. Vertical Ring max diameter is 72", min diameter is 16"

4. Catenary Mount fixtures include a fixture mounting frame and all mounting components necessary to attach to Catenary Cable (by others). 2 mounting clips included for every 12" of diameter, with a minimum of 3 clips. Mounting frames over dia48" are ship in multiple pieces and are assembled on site. Decorative Clips match the fixture finish.

Plexineon Rings Catenary Mount

Static White and Monochrome Colors



Finish Options

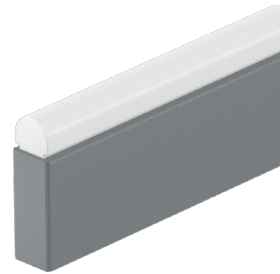
BK
Matte Black Finish



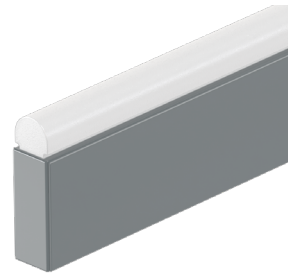
WH
Matte White Finish



GY
Matte Grey Finish



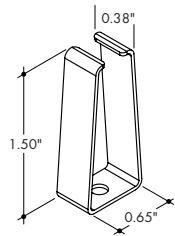
GG
Gloss Grey Finish



Mounting Components

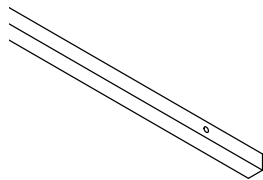
CD

Catenary Mount, Decorative Clip



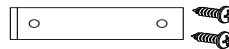
Thinner clip with finish options to match fixtures

Mounting Frame



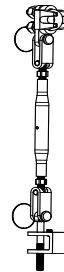
Mounting clips are riveted at the factory to the Mounting Frame. Finish matches Ordering Code Finish selected

Mounting Frame Joiner



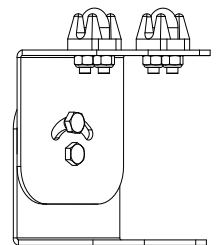
Assembles Mounting Frame together for runs over 96" (8ft)

Adjustable Turnbuckle



Able to adjust up to 2.5" vertically

Adjustable Collar



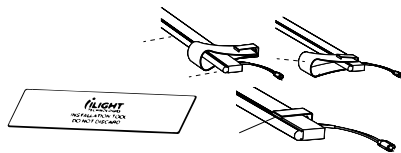
For vertical catenary rings

Additional Material

- Ordered separately.

70-TOL02-001-01

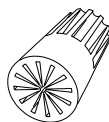
Mounting Clip
Installation Tool



Use for installation of Plexineon into Mounting Clips

60-12-22AWGSBWN

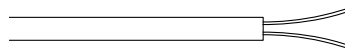
Weatherproof Wire Nut
Silicone Filled



Order 2 per Power Supply

55-STW02-050-00

50 ft of 14 gauge wire Black jacket,
2 conductors



Sunlight, moisture resistant, and flame retardant PVC jacket per UL 1277

Plexineon Rings

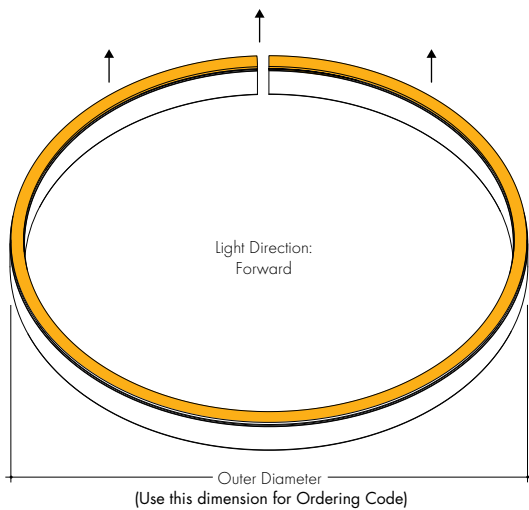
Catenary Mount

Static White and Monochrome Colors

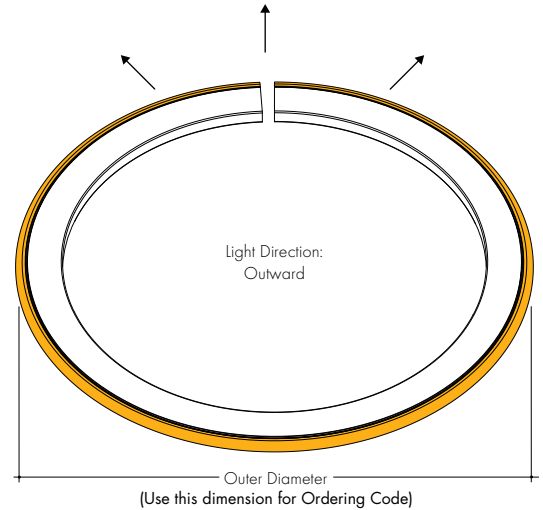


Ring Types

HR
Horizontal Ring

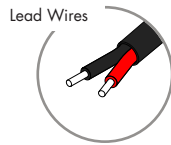
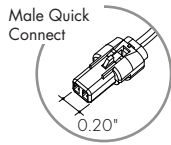
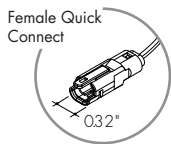


VR
Vertical Ring

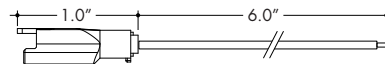


Powerfeed and Connectors

- Connectors are included in the Plexineon runs per CCT option selected. Order extras as desired.



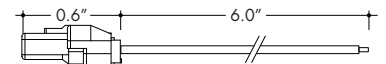
60-SJ-0002-08
Female Quick Connect
with 6" flying leads



Female Quick Connect with flying leads can be connected to the Power Supply at the start of a run. Can also be used with the Male Quick Connect to make wire jumpers.

Also available with longer Flying Leads
60-SJ-C2-0002-01
Female Quick Connect
with 120" flying leads

60-SJ-0001-08
Male Quick Connect
with 6" flying leads



Male Quick Connect with flying leads can be used to make wire jumpers.

Also available with longer Flying Leads
60-SJ-C2-0001-01
Male Quick Connect
with 120" flying leads

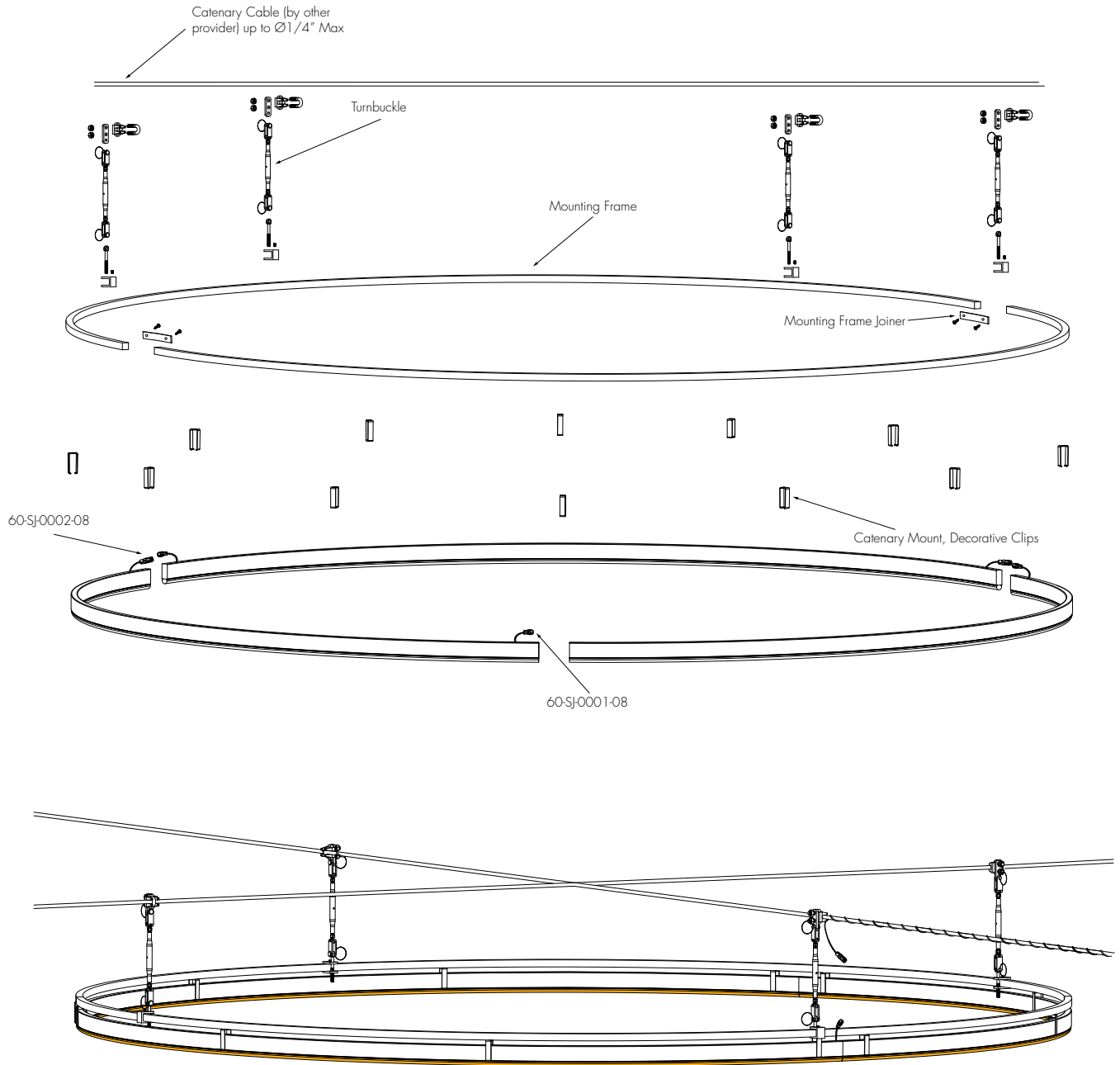
Plexineon Rings Catenary Mount

Static White and Monochrome Colors

Sample Layout

PX-72-HR-30K-SO-F-CD-GG-B-4

Plexineon Horizontal Ring, Catenary Mount, Decorative Clips

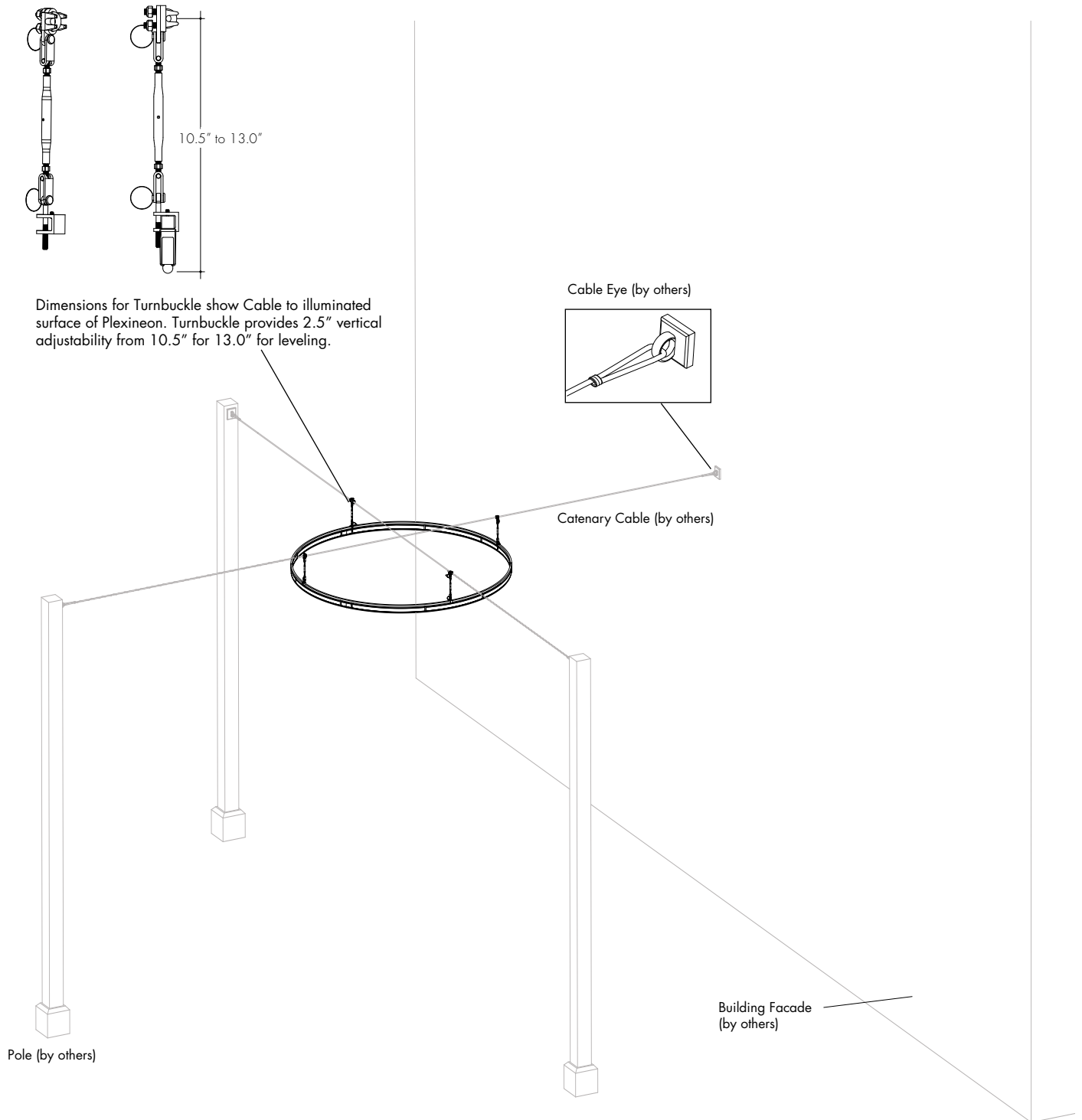


Plexineon Rings Catenary Mount

Static White and Monochrome Colors

Sample Layout

- Horizontal Ring



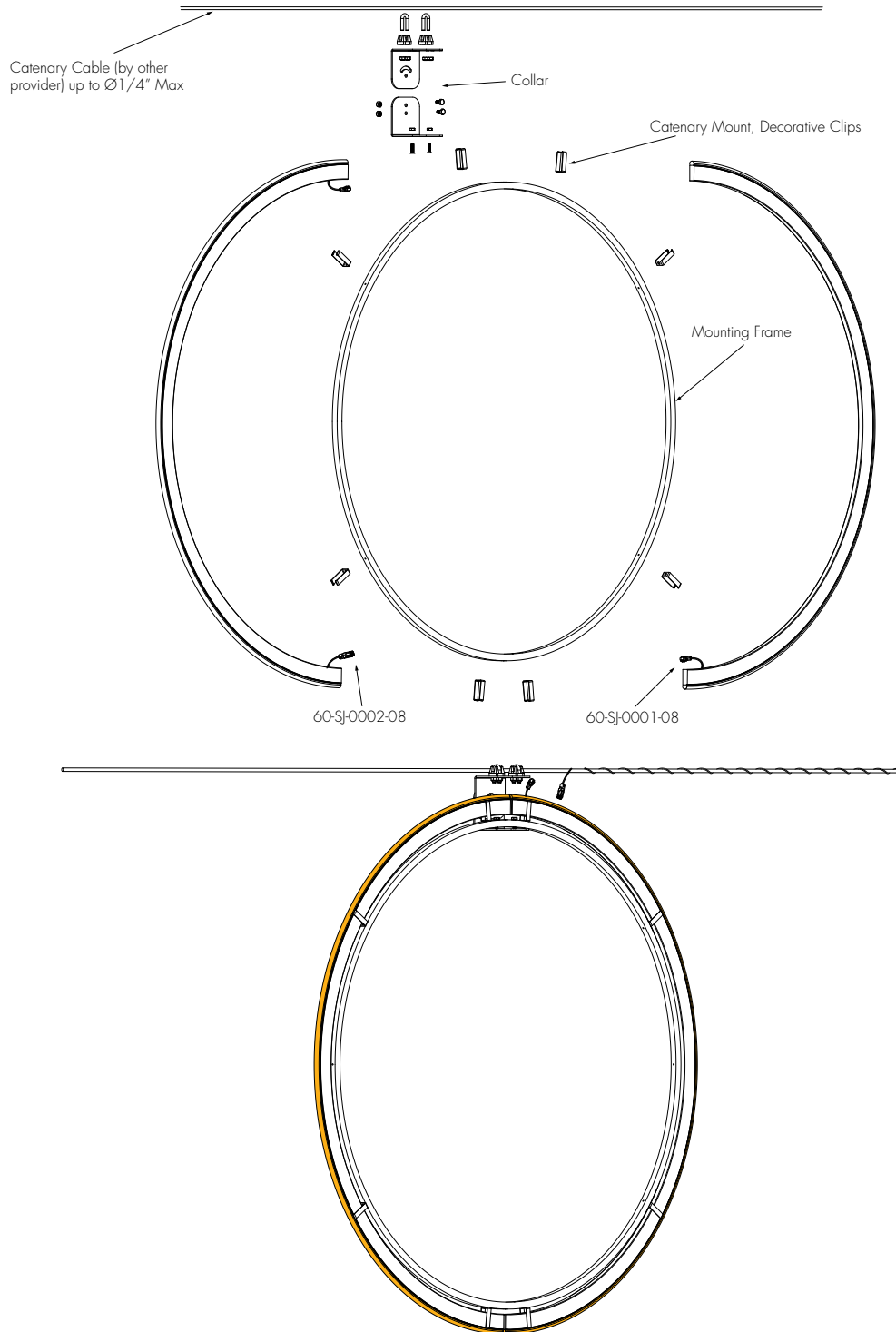
Plexineon Rings Catenary Mount

Static White and Monochrome Colors

Sample Layout

PX-36-VR-30K-50-F-CD-GG-B-4

Plexineon Vertical Ring, Catenary Mount, Decorative Clips

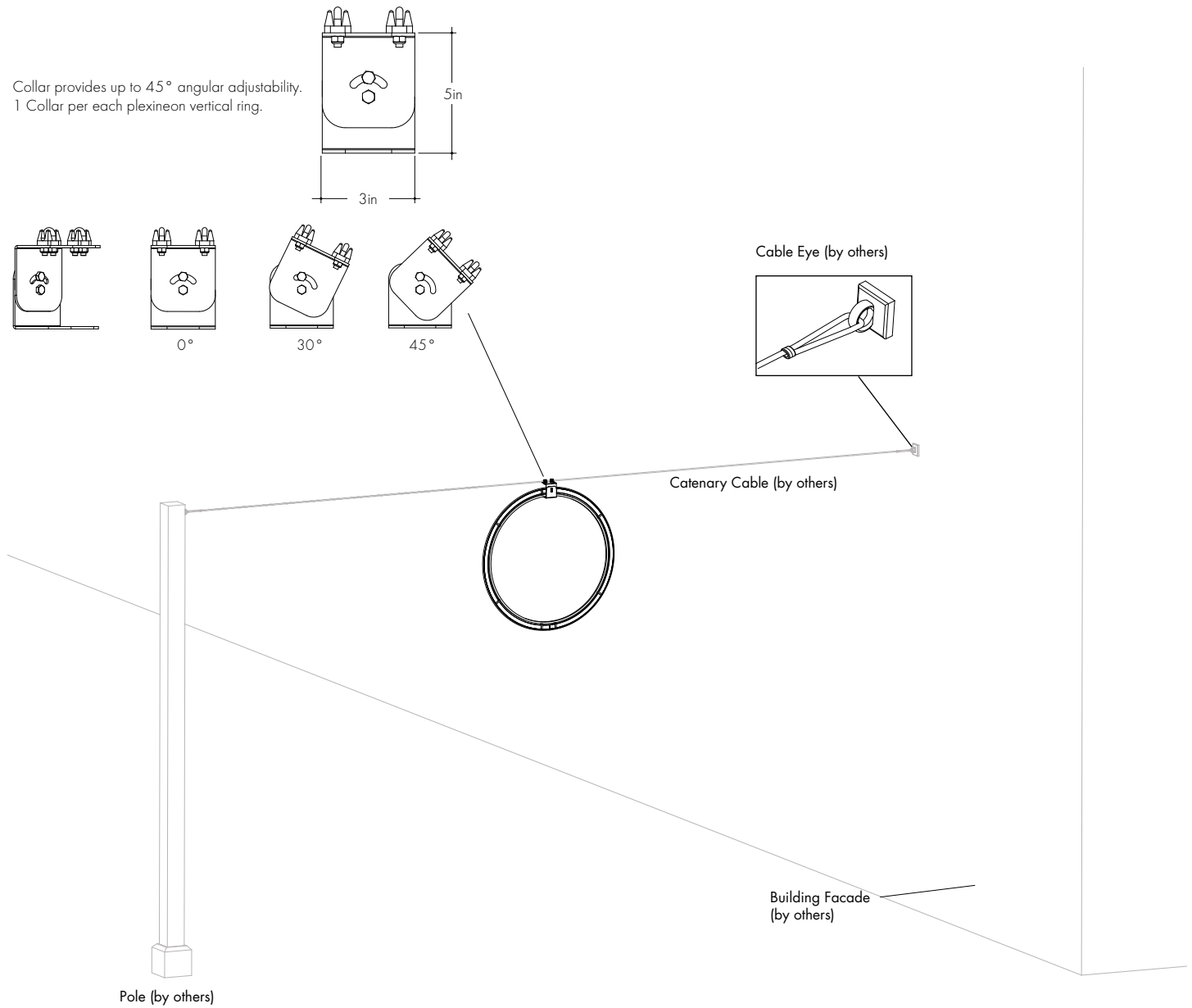


Plexineon Rings Catenary Mount

Static White and Monochrome Colors

Sample Layout

- Vertical Ring



Plexineon Rings Catenary Mount

Static White and Monochrome Colors



Power Consumption

Tested at Full Power with PS-UNI Series power supplies.

Standard Nominal Lengths offered provide minimal shadowing. For alternate lengths, please consult Inside Sales with specific request.

Static White

Nominal Ring Dia (in)	Wattage Per Ring	Nominal Ring Dia (in)	Wattage Per Ring
12	9.9	217	179.2
24	19.5	222	183.2
36	30.4	227	187.2
48	39	232	191.2
60	48.6	237	194.4
72	58.5	242	198.4
84	68.7	244	201.6
96	78	250	206.1
156	127.2	256	210.6
159	130.2	261	215.1
163	134.4	267	218.7
167	137.4	273	223.2
171	140.4	272	224
174	143.4	278	229
178	145.8	284	234
182	148.8		
181	148.4		
186	151.9		
190	156.8		
195	160.3		
199	163.8		
203	167.3		
208	170.1		
212	173.6		

Plexineon Rings Catenary Mount

Static White and Monochrome Colors



Power Consumption

Tested at Full Power with PDC Series power supplies.

Standard Nominal Lengths offered provide minimal shadowing. For alternate lengths, please consult Inside Sales with specific request.

Monochrome													
Nominal Length (in)	Watts						Nominal Length (in)	Watts					
	Red	Yellow	Green	Teal	Blue	Magenta		Red	Yellow	Green	Teal	Blue	Magenta
12	3.6	8.4	4.8	9.1	4.6	8.2	217	67.2	154.4	86.4	169.6	83.2	150.4
24	7.5	17.4	9.9	18.8	9.2	16.6	222	69.6	158.4	88.8	173.6	84.8	152
36	11	25.6	14.4	28.4	13.6	25	227	71.2	160	92.8	175.2	86.4	156
48	15	34.8	19.8	37.6	18.4	33.2	232	73.6	168	94.4	183.2	88.8	160
60	18.4	42	23.6	46.2	22.2	40.6	237	73.6	168	94.4	184.8	88.8	162.4
72	22.5	52.2	29.7	56.4	27.6	49.8	242	73.6	168	94.4	185.6	92.8	165.6
84	26.1	59.4	33.3	65.1	31.8	57	244	75.6	173.7	97.2	190.8	93.6	169.2
96	30	69.6	39.6	75.2	36.8	66.4	250	78.3	178.2	99.9	195.3	95.4	171
156	49.2	109.8	63.6	121.2	59.4	108.6	256	80.1	180	104.4	197.1	97.2	175.5
159	50.4	114.6	64.8	126	60.6	109.8	261	82.8	189	106.2	206.1	99.9	180
163	50.4	115.8	64.8	127.2	62.4	112.8	267	82.8	189	106.2	207.9	99.9	182.7
167	52.2	118.8	66.6	130.2	63.6	114	273	82.8	189	106.2	208.8	104.4	186.3
171	53.4	120	69.6	131.4	64.8	117	272	84	193	108	212	104	188
174	55.2	126	70.8	137.4	66.6	120	278	87	198	111	217	106	190
178	55.2	126	70.8	138.6	66.6	121.8	284	89	200	116	219	108	195
182	55.2	126	70.8	139.2	69.6	124.2							
181	57.4	128.1	74.2	141.4	69.3	126.7							
186	58.8	133.7	75.6	147	70.7	128.1							
190	58.8	135.1	75.6	148.4	72.8	131.6							
195	60.9	138.6	77.7	151.9	74.2	133							
199	62.3	140	81.2	153.3	75.6	136.5							
203	64.4	147	82.6	160.3	77.7	140							
208	64.4	147	82.6	161.7	77.7	142.1							
212	64.4	147	82.6	162.4	81.2	144.9							

Plexineon Rings Catenary Mount

Static White and Monochrome Colors



Voltage Drop Calculator

The below chart assumes nominal voltage of 24 Volts and a Voltage Drop Allowance of 3% through the wire

Wattage [W]	Maximum Wire Length From Power Supply to Start of Run [ft]						
	12 AWG	14 AWG	16 AWG	18 AWG	20 AWG	22 AWG	24 AWG
5	1088.2	684.4	430.3	270.6	170.2	107.1	67.3
10	544.1	342.2	215.1	135.3	85.1	53.5	33.7
15	362.7	228.1	143.4	90.2	56.7	35.7	22.4
20	272.0	171.1	107.6	67.7	42.6	26.8	16.8
25	217.6	136.9	86.1	54.1	34.0	21.4	13.5
30	181.4	114.1	71.7	45.1	28.4	17.8	11.2
35	155.5	97.8	61.5	38.7	24.3	15.3	9.6
40	136.0	85.5	53.8	33.8	21.3	13.4	8.4
45	120.9	76.0	47.8	30.1	18.9	11.9	7.5
50	108.8	68.4	43.0	27.1	17.0	10.7	6.7
55	98.9	62.2	39.1	24.6	15.5	9.7	6.1
60	90.7	57.0	35.9	22.6	14.2	8.9	5.6
65	83.7	52.6	33.1	20.8	13.1	8.2	5.2
70	77.7	48.9	30.7	19.3	12.2	7.6	4.8
75	72.5	45.6	28.7	18.0	11.3	7.1	4.5
80	68.0	42.8	26.9	16.9	10.6	6.7	4.2
85	64.0	40.3	25.3	15.9	10.0	6.3	4.0
90	60.5	38.0	23.9	15.0	9.5	5.9	3.7
96	56.7	35.6	22.4	14.1	8.9	5.6	3.5

Plexineon Rings Catenary Mount

Static White and Monochrome Colors



ilight
by luminii

Common Applications

Custom Indoor Designs | Coves | Signs | Building Facades | Lobbies | Hallways | Statement Pieces | Restaurants
Corporate Offices | Schools | Residential Towers | Parking Garages | Hotels | Bridges | Benches | Airports



Plexineon Rings Catenary Mount

Static White and Monochrome Colors



Power Supplies

See Power Supply instructions and spec sheet for wiring information. For a complete list of compatible dimmers, see Compatible Dimming Chart on the Resources page.

Ordering Code Universal Dimming Power Supplies 1% 120VAC - 277VAC

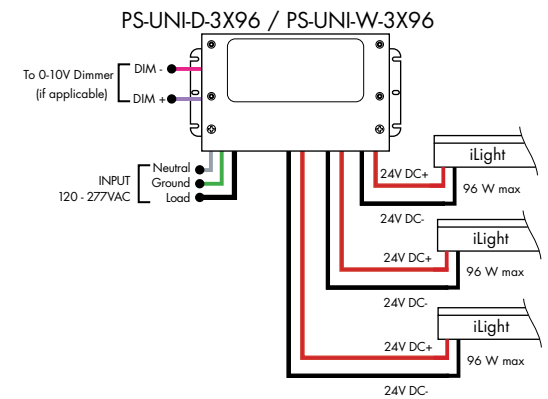
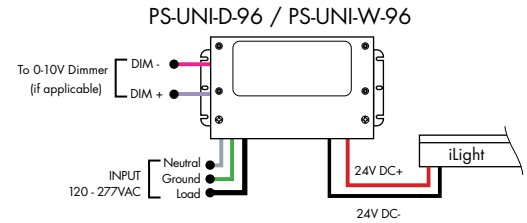
MODEL	INPUT CONTROL	ENVIRONMENT	WATTAGE	OUTPUT
PS-Power Supply, 120-277VAC	UNI-0-10V Dimming, Phase Dimming	D-Dry W-Wet	30-30 Watts 60-60 Watts 96-96 Watts 3x96-3x96 Watts	24-24 VDC

Compatibility: View a complete list of compatible dimmers on product page ([Link](#))

0-10V - 1% dimming
MLV/ELV/TRIAC - 1% dimming, consult dimming compatibility chart

MODELS	PS-UNI-W-30W	PS-UNI-W-60W	PS-UNI-W-96W	PS-UNI-W-3X96W
Length	6.50"	7.40"	8.66"	11.85"
Width	3.73"	3.73"	3.73"	4.32"
Depth	1.61"	1.61"	1.61"	1.81"

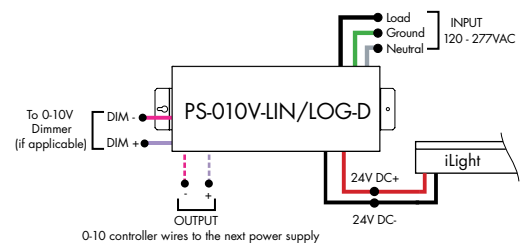
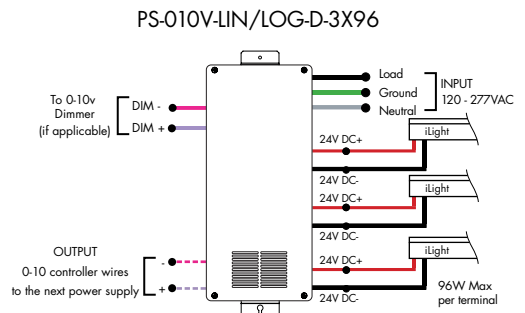
MODELS	PS-UNI-D-30W	PS-UNI-D-60W	PS-UNI-D-96W	PS-UNI-D-3X96W
Length	8.77"	8.77"	8.11"	9.94"
Width	4.27"	4.27"	5.60"	7.61"
Depth	1.83"	1.83"	1.83"	2.02"



Ordering Code 0-10V Dimming Power Supplies 0.1% 120VAC - 277VAC

MODEL	INPUT CONTROL	ENVIRONMENT	WATTAGE	OUTPUT
PS-Power Supply, 120-277VAC	010VLIN-0-10V Dimming (0.1%), Linear 010VLOG-0-10V Dimming (0.1%), Logarithmic	D-Dry	96-96 Watts 3X96-3x96 Watts	24-24 VDC

MODELS	96W	3X96
Length	14.40"	15.00"
Width	5.20"	6.62"
Depth	2.60"	4.45"



Plexineon Rings Catenary Mount

Static White and Monochrome Colors

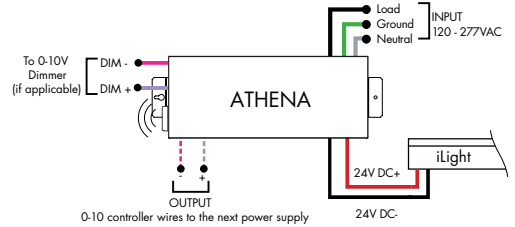
Power Supplies

See Power Supply instructions and spec sheet for wiring information. For a complete list of compatible dimmers, see Compatible Dimming Chart on the Resources page.

Athena 0-10V LED Driver

MODEL	INPUT CONTROL	ENVIRONMENT	WATTAGE	OUTPUT	FEATURE
PS-Power Supply, 120-277VAC	010V-LIN-0-10V Dimming, Linear 010V-LOG 0-10V Dimming, Logarithmic	D-Dry	96-96 W	24-24 VDC	AWN-R-Athena

MODELS	96W
Length	14.40"
Width	5.20"
Depth	2.60"

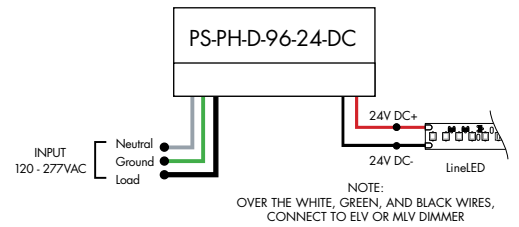


Ordering Code Phase Dimming Power Supply 1% 120VAC - 277VAC

MODEL	INPUT CONTROL	ENVIRONMENT	WATTAGE	OUTPUT	OUTPUT CONTROL
PS-Power Supply, 120-277VAC	PH-Phase Dimming (Triac, ELV, MLV)	D-Dry	96-96 Watts	24-24 VDC	DC-Direct Current

MLV/ELV/TRIAC - 1% dimming, consult dimming compatibility chart ([link](#))

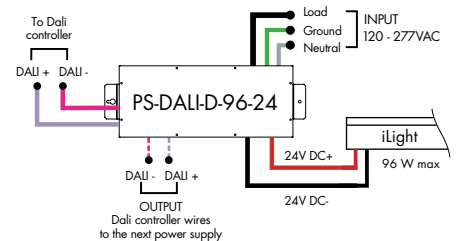
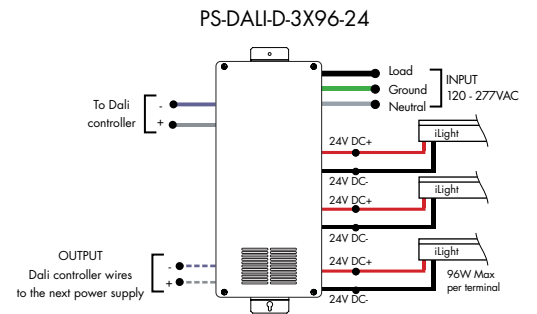
MODELS	96W
Length	8.25"
Width	4.10"
Depth	1.56"



Ordering Code DALI Dimming Power Supplies 0.1% 120VAC - 277VAC

MODEL	INPUT CONTROL	ENVIRONMENT	WATTAGE	OUTPUT
PS-Power Supply, 120-277VAC	DALI-DALI (0.1%)	D-Dry	96-96 Watts 3X96-3X96 Watts	24-24 VDC

Model	96W	3X96
Length	14.40"	15.00"
Width	5.20"	6.62"
Depth	2.60"	4.56"



Plexineon Rings Catenary Mount

Static White and Monochrome Colors



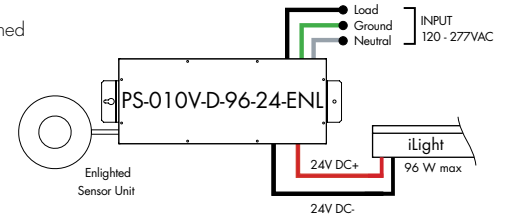
Power Supplies

See Power Supply instructions and spec sheet for wiring information. For a complete list of compatible dimmers, see Compatible Dimming Chart on the Resources page.

Ordering Code Enlightened Enabled Dimming Power Supplies 1% 120VAC - 277VAC

MODEL	INPUT CONTROL	ENVIRONMENT	WATTAGE	OUTPUT	FEATURE
PS-Power Supply, 120-277VAC	010V-0-10V Dimming (1%)	D-Dry	96-96 Watts	24-24 VDC	ENL-0-10V Enlightened

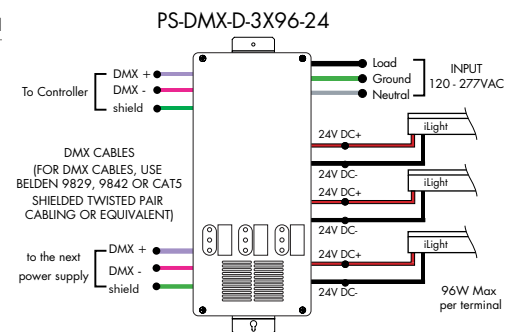
Model	96W
Length	14.40"
Width	5.20"
Depth	2.60"



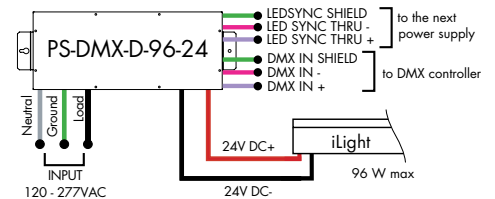
Ordering Code DMX Dimming Power Supplies 0.1% 120VAC - 277VAC Requires Zonal Control

MODEL	INPUT CONTROL	ENVIRONMENT	WATTAGE	OUTPUT
PS-Power Supply, 120-277VAC	DMX-DMX (0.1%)	D-Dry	96-96 Watts 3X96-3X96 Watts	24-24 VDC

MODELS	96W	3X96
Length	14.40"	15.00"
Width	5.20"	6.62"
Depth	2.60"	4.56"



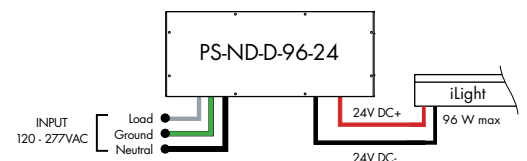
DMX CABLES
(FOR DMX CABLES, USE BELDEN 9829, 9842 OR CAT5 SHIELDED TWISTED PAIR CABLING OR EQUIVALENT)



Ordering Code Non-Dimming Power Supply 120VAC - 277VAC

MODEL	INPUT CONTROL	ENVIRONMENT	WATTAGE	OUTPUT
PS-Power Supply, 120-277VAC	ND-Non Dimming	D-Dry	96-96 Watts	24-24 VDC

MODELS	96W
Length	14.40"
Width	5.20"
Depth	2.60"



Plexineon Rings Catenary Mount

Static White and Monochrome Colors

Power Supplies

See Power Supply instructions and spec sheet for wiring information. For a complete list of compatible dimmers, see Compatible Dimming Chart on the Resources page.



Luminii is a Lutron OEM Advantage Partner

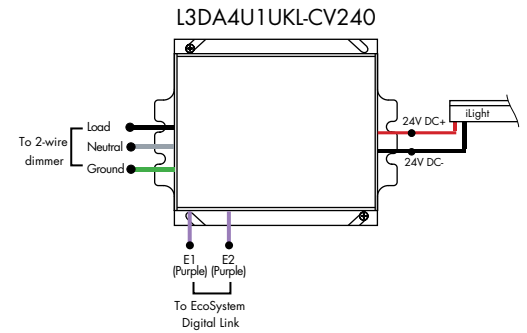
Lutron Power Supplies 1%

MODEL

L3DA4U1UKL-CV240

HiLume™ 1% EcoSystem Voltage LED driver
40W max

MODELS	L3DA4U1UKL-CV240
Length	4.98"
Width	4.00"
Depth	2.62"



Luminii is a Lutron OEM Advantage Partner

Lutron Power Supplies 0.1%

MODEL

L3D0-96W24V-U

HiLume™ 0.1% EcoSystem Voltage LED Driver with Soft-On, Fade-to-Black™
96W max

MODELS	L3D0
Length	10.50"
Width	5.50"
Depth	2.00"

