

## OVERVIEW

Pico is a Constant Current single source LED spotlight that is machined from aerospace grade aluminium 6063-T6 and comes as standard in white, black and brushed aluminium. It has three site-changeable optics for flexible beam distribution and is fully adjustable with lockable 360° pan and 180° tilt. The narrow beam in our 2.24W 180lm module has a peak intensity of 1566cd. A snoot and accessory holder snoot is available separately.



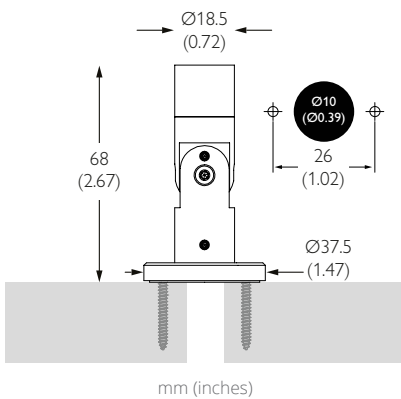
UK PART L	Part L1A / L1B (Dwellings)	EXEMPT
	Part L2A (General)	EXEMPT
	Part L2A (Display)	EXEMPT



## PERFORMANCE

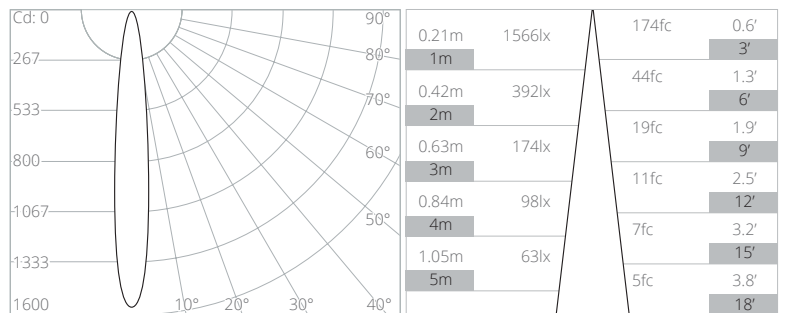
FWHM	12°	Category	IP20
Luminous Flux	164 lm	Material	Machined AL 6063-T6
Peak Intensity	1566 cd	Finishes	Brushed Aluminium   Black RAL9005   White RAL9010
CCT	2700K   3000K	Weight	47g   0.10lb
CRI Min.	95 TYP	Mounting	Screw Fixing
Drive Current	700 mA	Movement	Pan 360°   Tilt 180°
Nom. Voltage	3.2 V	Lockable	Pan & Tilt
Max. Wattage	2.24 W	Accessories	N/A   Snoots
Dimming	0-10V   DALI	TM65   TM66	7.16kgCO2e   2.4
Driver Type	Constant Current   Remote	Lifetime	L90B10 100,000hrs   5 year warranty
Class	SELV   Class III		

## DIMENSIONS



## PHOTOMETRY

CCT	Multiplier
2700K	x1.00
3000K	x1.00



Data at 3000K

## ORDER CODE

Model	Finish	CCT	Beam Angle
MPN-791	-	-	-
	WH White RAL 9010	2795 2700K 95CRI	12 Narrow
	BK Black RAL 9005	3095 3000K 95CRI	30 Medium
	AL Brushed Aluminium		60 Flood
	RB Rubbed Bronze		
	PB Polished Brass		
	SB Brushed Brass		

Example Code: **MPN-791-WH-309512**

\*Premium & custom finishes are built to order, subject to an extended lead time & MOQ  
See Drivers, Power Supplies and Accessories sections for further order codes

## OVERVIEW

Pico is a Constant Current single source LED spotlight that is machined from aerospace grade aluminium 6063-T6 and comes as standard in white, black and brushed aluminium. It has three site-changeable optics for flexible beam distribution and is fully adjustable with lockable 360° pan and 180° tilt. The medium beam in our 2.24W 180lm module has a peak intensity of 470cd. A snoot and accessory holder snoot is available separately.



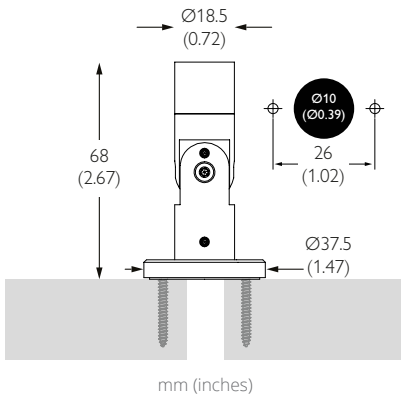
**UK PART L**  
 Part L1A / L1B (Dwellings) *EXEMPT*  
 Part L2A (General) *EXEMPT*  
 Part L2A (Display) *EXEMPT*



## PERFORMANCE

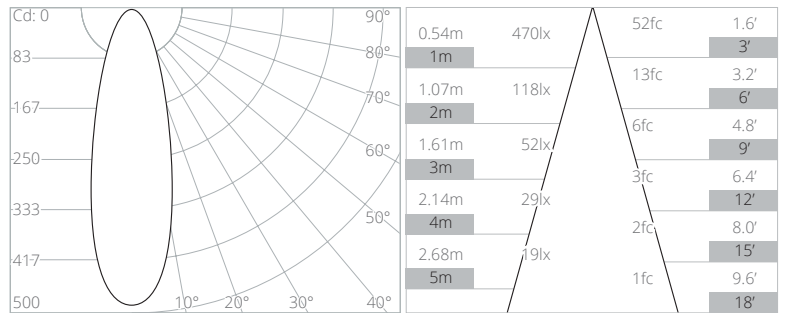
<b>FWHM</b>	30°	<b>Category</b>	IP20
<b>Luminous Flux</b>	150 lm	<b>Material</b>	Machined AL 6063-T6
<b>Peak Intensity</b>	470 cd	<b>Finishes</b>	Brushed Aluminium   Black RAL9005   White RAL9010
<b>CCT</b>	2700K   3000K	<b>Weight</b>	47g   0.10lb
<b>CRI Min.</b>	95 TYP	<b>Mounting</b>	Screw Fixing
<b>Drive Current</b>	700 mA	<b>Movement</b>	Pan 360°   Tilt 180°
<b>Nom. Voltage</b>	3.2 V	<b>Lockable</b>	Pan & Tilt
<b>Max. Wattage</b>	2.24 W	<b>Accessories</b>	N/A   Snoots
<b>Dimming</b>	0-10V   DALI	<b>TM65   TM66</b>	7.16kgCO2e   2.4
<b>Driver Type</b>	Constant Current   Remote	<b>Lifetime</b>	L90B10 100,000hrs   5 year warranty
<b>Class</b>	SELV   Class III		

## DIMENSIONS



## PHOTOMETRY

CCT	Multiplier
2700K	x1.00
3000K	x1.00



Data at 3000K

## ORDER CODE

Model	Finish	CCT	Beam Angle
MPN-791	-	-	-
	<b>WH</b> White RAL 9010	<b>2795</b> 2700K 95CRI	<b>12</b> Narrow
	<b>BK</b> Black RAL 9005	<b>3095</b> 3000K 95CRI	<b>30</b> Medium
	<b>AL</b> Brushed Aluminium		<b>60</b> Flood
	<b>RB</b> Rubbed Bronze		
	<b>PB</b> Polished Brass		
	<b>SB</b> Brushed Brass		

Example Code: *MPN-791-WH-309530*

\*Premium & custom finishes are built to order, subject to an extended lead time & MOQ  
 See Drivers, Power Supplies and Accessories sections for further order codes

## OVERVIEW

Pico is a Constant Current single source LED spotlight that is machined from aerospace grade aluminium 6063-T6 and comes as standard in white, black and brushed aluminium. It has three site-changeable optics for flexible beam distribution and is fully adjustable with lockable 360° pan and 180° tilt. The flood beam in our 2.24W 180lm module has a peak intensity of 163cd. A snoot and accessory holder snoot is available separately.



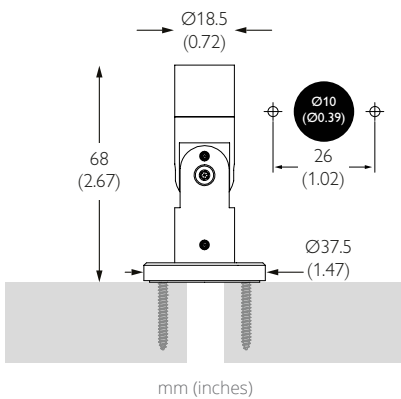
**UK PART L** Part L1A / L1B (Dwellings) *EXEMPT*  
 Part L2A (General) *EXEMPT*  
 Part L2A (Display) *EXEMPT*



## PERFORMANCE

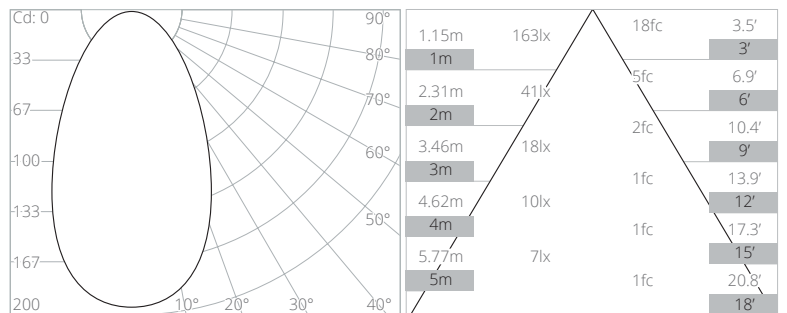
FWHM	60°	Category	IP20
Luminous Flux	163 lm	Material	Machined AL 6063-T6
Peak Intensity	163 cd	Finishes	Brushed Aluminium   Black RAL9005   White RAL9010
CCT	2700K   3000K	Weight	47g   0.10lb
CRI Min.	95 TYP	Mounting	Screw Fixing
Drive Current	700 mA	Movement	Pan 360°   Tilt 180°
Nom. Voltage	3.2 V	Lockable	Pan & Tilt
Max. Wattage	2.24 W	Accessories	N/A   Snoots
Dimming	0-10V   DALI	TM65   TM66	7.16kgCO2e   2.4
Driver Type	Constant Current   Remote	Lifetime	L90B10 100,000hrs   5 year warranty
Class	SELV   Class III		

## DIMENSIONS



## PHOTOMETRY

CCT	Multiplier
2700K	x1.00
3000K	x1.00



Data at 3000K

## ORDER CODE

Model	Finish	CCT	Beam Angle
MPN-791	-	-	-
	<b>WH</b> White RAL 9010	<b>2795</b> 2700K 95CRI	<b>12</b> Narrow
	<b>BK</b> Black RAL 9005	<b>3095</b> 3000K 95CRI	<b>30</b> Medium
	<b>AL</b> Brushed Aluminium		<b>60</b> Flood
	<b>RB</b> Rubbed Bronze		
	<b>PB</b> Polished Brass		
	<b>SB</b> Brushed Brass		

Example Code: *MPN-791-WH-309560*

\*Premium & custom finishes are built to order, subject to an extended lead time & MOQ  
 See Drivers, Power Supplies and Accessories sections for further order codes

## DRIVERS

### 20W | DIMMING: DALI OR 0-10V

NO. OF LIGHTS PER DRIVER 1 to 8 in series

MIN DIM LEVEL 0.1%

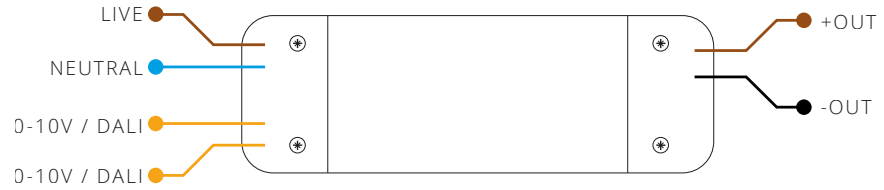
VOLTAGE REGION 230V

FOR NORTH AMERICA No

WATTAGE 20W

SUPPLY TYPE Constant Current

DRIVER LOCATION Remote



DALI CODE PSCC-20-700-D-EL

0-10V CODE PSCC-20-700-A-EL

LENGTH 160mm (6.30") WIDTH 41mm (1.63") HEIGHT 30mm (1.18")



### 30W | DIMMING: DALI OR 0-10V

NO. OF LIGHTS PER DRIVER 1 to 12 in series

MIN DIM LEVEL 0.1%

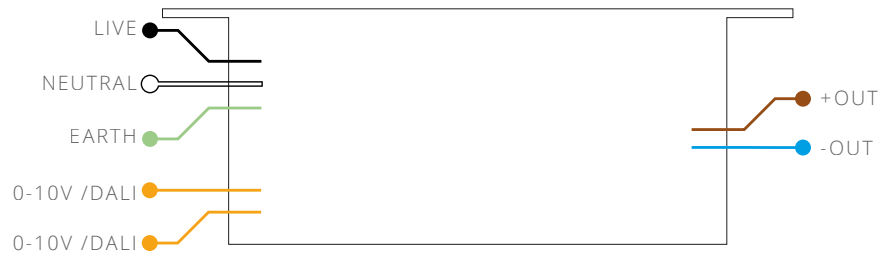
VOLTAGE REGION 120V

FOR NORTH AMERICA Yes

WATTAGE 30W

SUPPLY TYPE Constant Current

DRIVER LOCATION Remote



DALI CODE USCC-30-700-D-EL-ENC

0-10V CODE USCC-30-700-A-EL-ENC

LENGTH 348mm (13.7") WIDTH 65mm (2.6") HEIGHT 47mm (1.9")



### 12W | DIMMING: PHASE

NO. OF LIGHTS PER DRIVER 2 to 5 in series

MIN DIM LEVEL 1%

VOLTAGE REGION 120V

FOR NORTH AMERICA Yes

WATTAGE 12W

SUPPLY TYPE Constant Current

DRIVER LOCATION Remote



PHASE CODE USCC-12-700-P-HT-ENC

LENGTH 247mm (9.7") WIDTH 65mm (2.6") HEIGHT 47mm (1.9")

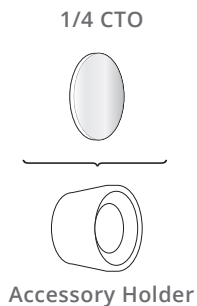


# PICO SERIES SPOTLIGHT ACCESSORIES

FOR USE WITH PICO PLUS

## ACCESSORIES

Included as standard with a Pico Plus, available as a standalone addition with below part code.



### Pico Plus Accessory Holder

*Screw on lens holder*

**HEIGHT** 29mm ( 1.142" )

**DAIMETER** 26mm ( 1.024" )

**PART CODE** 704-AL - Brushed Aluminium  
704-BK - Black  
704-WH - White

### 1/4 CTO Dichroic

*CCT warming - approx 300K*

**THICKNESS** 1.8mm ( 0.071" )

**DAIMETER** 20mm ( 0.787" )

**PART CODE** 997-1/4CTO-20



## OPTICS

### Primary Optic

*Primary beam angle control*



**12° CODE** 701-12

**30° CODE** 701-30

**60° CODE** 701-60