

# PICO ZOOM S

12° ZOOM BEAM

STATIC WHITE

## OVERVIEW

Pico Zoom S is a Constant Current single source LED spotlight that is machined from aerospace grade aluminium 6063-T6 and comes as standard in white, black and brushed aluminium. It has a tool-less mechanical zoom for ultimate flexibility post installation and is fully adjustable with lockable 360° pan and 180° tilt. The zoom beam in our 2.24W 180lm module has a peak intensity of 1276cd.



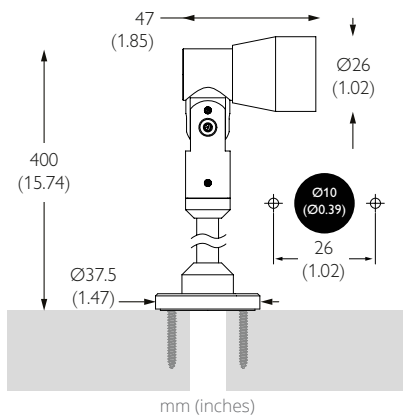
UK PART L	Part L1A / L1B (Dwellings)	EXEMPT
	Part L2A (General)	EXEMPT
	Part L2A (Display)	EXEMPT



## PERFORMANCE

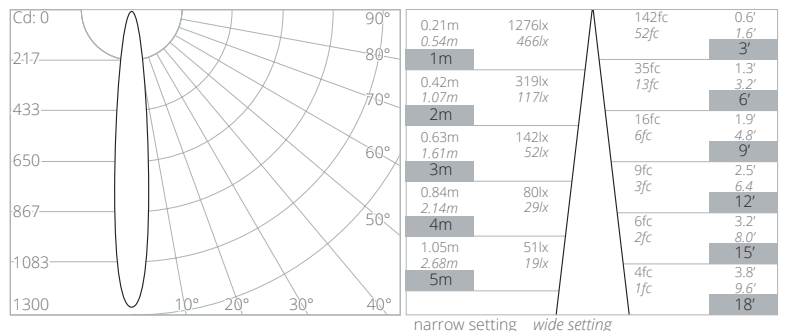
FWHM	12° to 30° Zoom	Category	IP20
Luminous Flux	160 lm	Material	Machined AL 6063-T6
Peak Intensity	1276 cd	Finishes	Brushed Aluminium   Black RAL9005   White RAL9010
CCT	2700K   3000K	Weight	108g   0.24lb
CRI Min.	95 TYP	Mounting	Screw Fixing
Drive Current	700 mA	Movement	Pan 360°   Tilt 180°
Nom. Voltage	3.2 V	Lockable	Pan & Tilt
Max. Wattage	2.24 W	Accessories	N/A   N/A
Dimming	0-10V   DALI	TM65   TM66	8.95kgCO2e   2.4
Driver Type	Constant Current   Remote	Lifetime	L90B10 100,000hrs   5 year warranty
Class	SELV   Class III		

## DIMENSIONS



## PHOTOMETRY

CCT	Multiplier
2700K	x1.00
3000K	x1.00



Data at 3000K

## ORDER CODE

Model	Finish	CCT	Beam Angle
MPN-797F	-	-	-
	WH White RAL 9010	2795 2700K 95CRI	ZO Zoom 12° - 30°
	BK Black RAL 9005	3095 3000K 95CRI	
	AL Brushed Aluminium		
	RB Rubbed Bronze		
	PB Polished Brass		
	SB Brushed Brass		

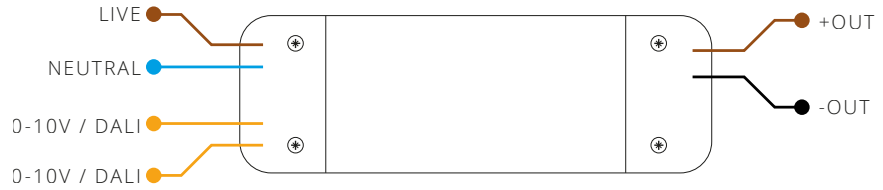
Example Code: **MPN-797F-WH-3095ZO**

\*Premium & custom finishes are built to order, subject to an extended lead time & MOQ  
See Drivers, Power Supplies and Accessories sections for further order codes

DRIVERS

20W | DIMMING: DALI OR 0-10V

NO. OF LIGHTS PER DRIVER 1 to 8 in series  
 MIN DIM LEVEL 0.1%  
 VOLTAGE REGION 230V  
 FOR NORTH AMERICA No  
 WATTAGE 20W  
 SUPPLY TYPE Constant Current  
 DRIVER LOCATION Remote



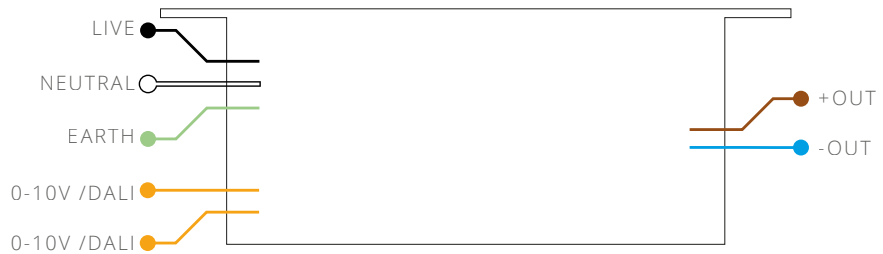
DALI CODE PSCC-20-700-D-EL  
 0-10V CODE PSCC-20-700-A-EL

LENGTH 160mm (6.30") WIDTH 41mm (1.63") HEIGHT 30mm (1.18")



30W | DIMMING: DALI OR 0-10V

NO. OF LIGHTS PER DRIVER 1 to 12 in series  
 MIN DIM LEVEL 0.1%  
 VOLTAGE REGION 120V  
 FOR NORTH AMERICA Yes  
 WATTAGE 30W  
 SUPPLY TYPE Constant Current  
 DRIVER LOCATION Remote



DALI CODE USCC-30-700-D-EL-ENC  
 0-10V CODE USCC-30-700-A-EL-ENC

LENGTH 348mm (13.7") WIDTH 65mm (2.6") HEIGHT 47mm (1.9")



12W | DIMMING: PHASE

NO. OF LIGHTS PER DRIVER 2 to 5 in series  
 MIN DIM LEVEL 1%  
 VOLTAGE REGION 120V  
 FOR NORTH AMERICA Yes  
 WATTAGE 12W  
 SUPPLY TYPE Constant Current  
 DRIVER LOCATION Remote



PHASE CODE USCC-12-700-P-HT-ENC

LENGTH 247mm (9.7") WIDTH 65mm (2.6") HEIGHT 47mm (1.9")

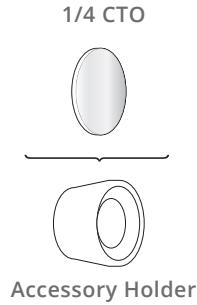


# PICO SERIES SPOTLIGHT ACCESSORIES

FOR USE WITH PICO PLUS

## ACCESSORIES

Included as standard with a Pico Plus, available as a standalone addition with below part code.



### Pico Plus Accessory Holder

*Screw on lens holder*

**HEIGHT** 29mm ( 1.142" )  
**DAIMETER** 26mm ( 1.024" )

**PART CODE** 704-AL - Brushed Aluminium  
704-BK - Black  
704-WH - White

### 1/4 CTO Dichroic

*CCT warming - approx 300K*

**THICKNESS** 1.8mm ( 0.071" )  
**DAIMETER** 20mm ( 0.787" )

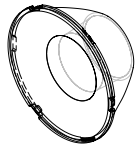
**PART CODE** 997-1/4CTO-20



## OPTICS

### Primary Optic

*Primary beam angle control*



**12° CODE** 701-12  
**30° CODE** 701-30  
**60° CODE** 701-60