

NARROW



TECHNICAL DESCRIPTION

Pico S Jack is a Constant Current single source LED spotlight that is machined from aerospace grade aluminium 6063-T6 and comes as standard in white, black and brushed aluminium. It has three site-changeable optics for flexible beam distribution and is fully adjustable with lockable 360° pan and 180° tilt. The narrow beam in our 2.24W 180lm module has a peak intensity of 1566cd. A snoot and accessory holder snoot is available separately. The luminaire is compatible with our Minipoint system that enables a plug and play setup where luminaires can be swapped to suit changing lighting requirements.

MECHANICAL & ELECTRICAL

CATEGORY IP20	WATTAGE 2.24W
MATERIAL Machined AL 6063-T6	FORWARD VOLTAGE 3.2V
PAN 360°	DRIVE CURRENT 700mA
TILT 180°	SUPPLY TYPE Constant Current
LOCKABLE Pan & Tilt	DRIVER LOCATION Remote
WEIGHT 120g 0.26lb	DIMMING DALI 0-10V 1-10V Casambi

MOUNTING

MOUNTING Minipoints	CUTOUT ø18mm (0.71") minipoint
CEILING THICKNESS 30mm (1.18") max	MIN CEILING VOID N/A

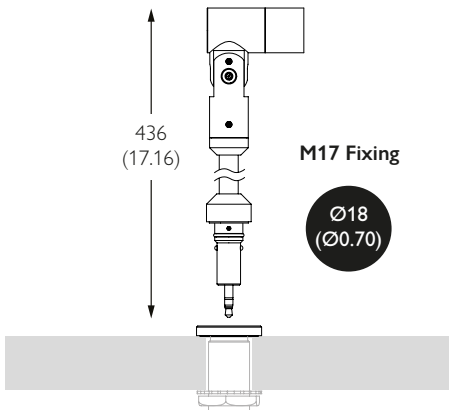
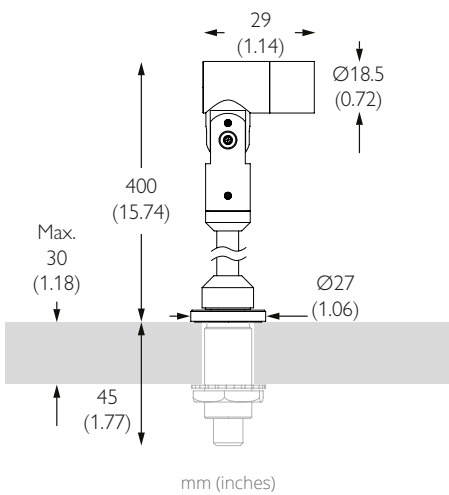
FINISHES

FINISHES Brushed Aluminium | Black RAL9005 | White RAL9010

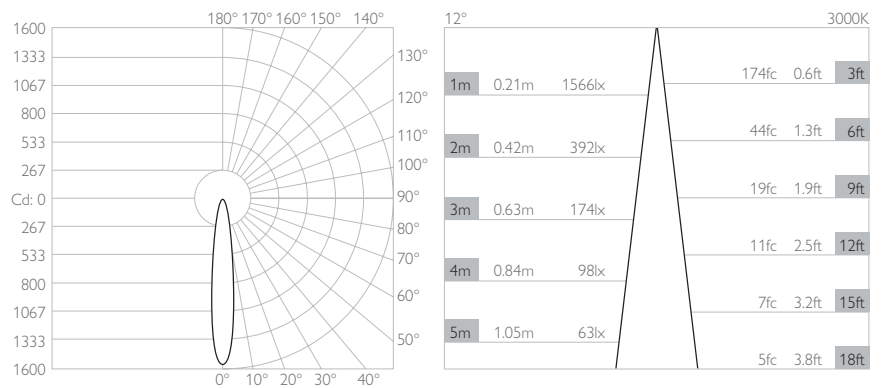
*Premium & custom finishes are built & finished to order. These are subject to an extended lead time & MOQ.

OPTICAL & STANDARDS

NOMINAL LUMENS 180lm	BEAM ANGLE 12°
DELIVERED LUMENS 164lm	CRI 95 TYP
COLOUR TEMPERATURE 2700K 3000K	TM-30 RF: 93 RG: 99
ACCESSORY HOLDER N/A	WARRANTY 5 Years
ACCESSORIES Snoots	STANDARDS



Photometry shown is for 3000K module. Please enquire for other CCT photometry. L90 50,000 hours.



LUMINAIRE FINISH

	White 9010	Matt Anodised Black	Brushed Aluminium	Rubbed Bronze*	Polished Brass*	Brushed Brass*
Luminaire	802-WH-XX9512	802-EBA-XX9512	802-AL-XX9512	802-RB-XX9512	802-PB-XX9512	802-SB-XX9512
Minipoint	770-M-A-DC-WH	770-M-A-DC-EBA	770-M-A-DC-AL	770-M-A-DC-RB	770-M-A-DC-PB	770-M-A-DC-SB

*All premium & custom finishes are built & finished to order. These are subject to an extended lead time & MOQ

For 3000K Substitute XX with 30

For 2700K Substitute XX with 27



TECHNICAL DESCRIPTION

Pico S Jack is a Constant Current single source LED spotlight that is machined from aerospace grade aluminium 6063-T6 and comes as standard in white, black and brushed aluminium. It has three site-changeable optics for flexible beam distribution and is fully adjustable with lockable 360° pan and 180° tilt. The medium beam in our 2.24W 180lm module has a peak intensity of 470cd. A snoot and accessory holder snoot is available separately. The luminaire is compatible with our Minipoint system that enables a plug and play setup where luminaires can be swapped to suit changing lighting requirements.

MECHANICAL & ELECTRICAL

CATEGORY IP20	WATTAGE 2.24W
MATERIAL Machined AL 6063-T6	FORWARD VOLTAGE 3.2V
PAN 360°	DRIVE CURRENT 700mA
TILT 180°	SUPPLY TYPE Constant Current
LOCKABLE Pan & Tilt	DRIVER LOCATION Remote
WEIGHT 120g 0.26lb	DIMMING DALI 0-10V 1-10V Casambi

MOUNTING

MOUNTING Minipoints	CUTOUT ø18mm (0.71") minipoint
CEILING THICKNESS 30mm (1.18") max	MIN CEILING VOID N/A

FINISHES

FINISHES Brushed Aluminium | Black RAL9005 | White RAL9010

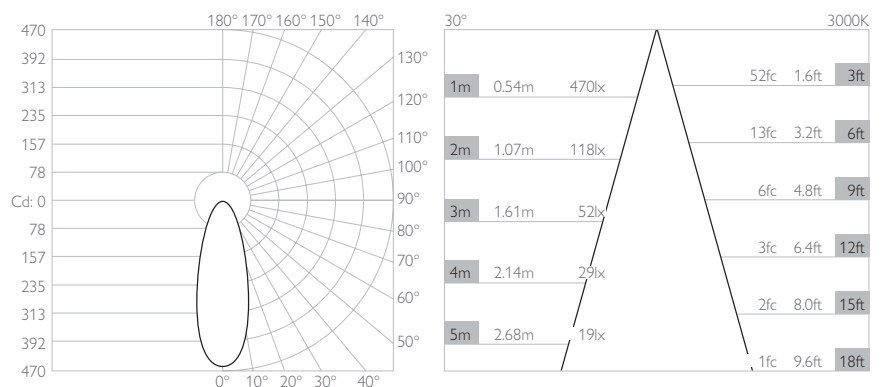
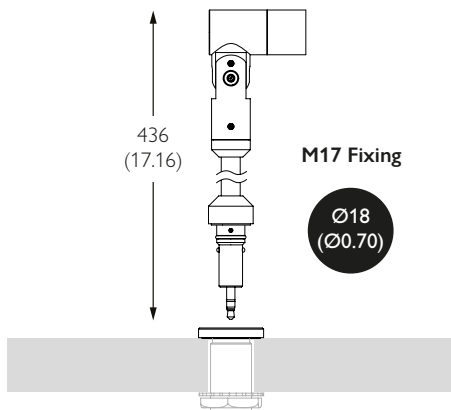
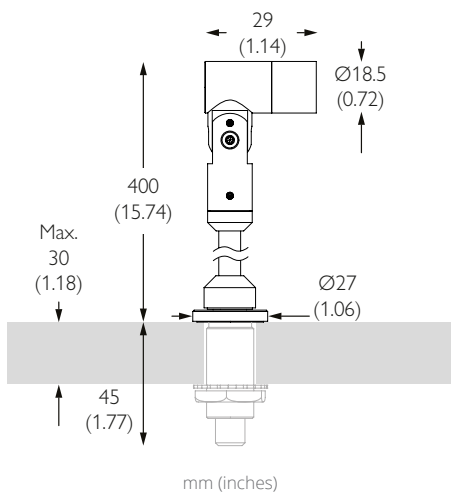
*Premium & custom finishes are built & finished to order. These are subject to an extended lead time & MOQ.

OPTICAL & STANDARDS

NOMINAL LUMENS 180lm	BEAM ANGLE 30°
DELIVERED LUMENS 150lm	CRI 95 TYP
COLOUR TEMPERATURE 2700K 3000K	TM-30 RF: 93 RG: 99
ACCESSORY HOLDER N/A	WARRANTY 5 Years
ACCESSORIES Snoots	STANDARDS



Photometry shown is for 3000K module. Please enquire for other CCT photometry. L90 50,000 hours.



LUMINAIRE FINISH

	White 9010	Matt Anodised Black	Brushed Aluminium	Rubbed Bronze*	Polished Brass*	Brushed Brass*
Luminaire	802-WH-XX9530	802-EBA-XX9530	802-AL-XX9530	802-RB-XX9530	802-PB-XX9530	802-SB-XX9530
Minipoint	770-M-A-DC-WH	770-M-A-DC-EBA	770-M-A-DC-AL	770-M-A-DC-RB	770-M-A-DC-PB	770-M-A-DC-SB

*All premium & custom finishes are built & finished to order. These are subject to an extended lead time & MOQ

For 3000K Substitute XX with 30

For 2700K Substitute XX with 27



TECHNICAL DESCRIPTION

Pico S Jack is a Constant Current single source LED spotlight that is machined from aerospace grade aluminium 6063-T6 and comes as standard in white, black and brushed aluminium. It has three site-changeable optics for flexible beam distribution and is fully adjustable with lockable 360° pan and 180° tilt. The flood beam in our 2.24W 180lm module has a peak intensity of 163cd. A snoot and accessory holder snoot is available separately. The luminaire is compatible with our Minipoint system that enables a plug and play setup where luminaires can be swapped to suit changing lighting requirements.

MECHANICAL & ELECTRICAL

CATEGORY IP20	WATTAGE 2.24W
MATERIAL Machined AL 6063-T6	FORWARD VOLTAGE 3.2V
PAN 360°	DRIVE CURRENT 700mA
TILT 180°	SUPPLY TYPE Constant Current
LOCKABLE Pan & Tilt	DRIVER LOCATION Remote
WEIGHT 120g 0.26lb	DIMMING DALI 0-10V 1-10V Casambi

MOUNTING

MOUNTING Minipoints	CUTOUT ø18mm (0.71") minipoint
CEILING THICKNESS 30mm (1.18") max	MIN CEILING VOID N/A

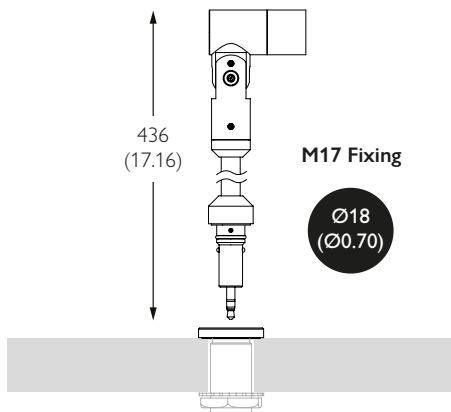
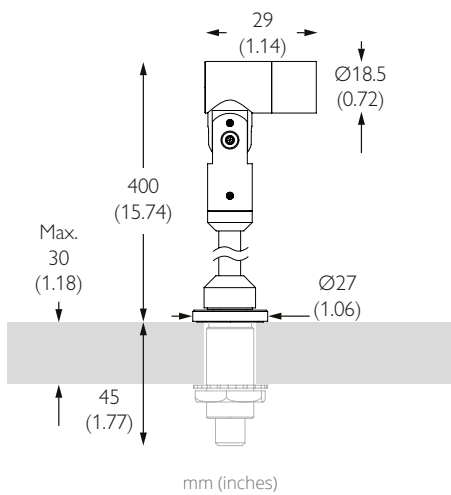
FINISHES

FINISHES Brushed Aluminium | Black RAL9005 | White RAL9010

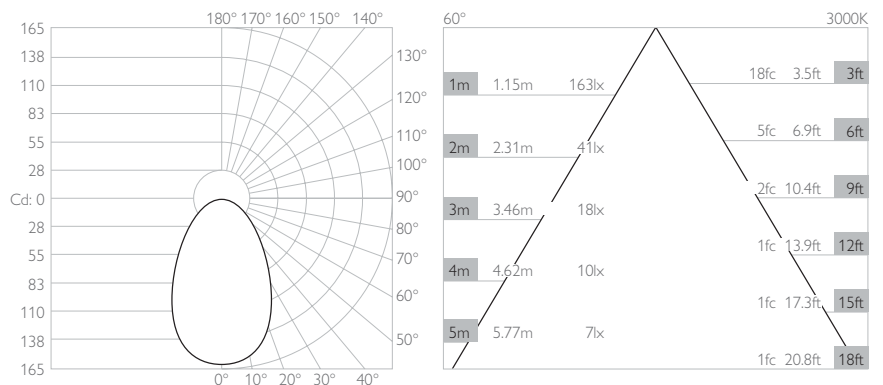
*Premium & custom finishes are built & finished to order. These are subject to an extended lead time & MOQ.

OPTICAL & STANDARDS

NOMINAL LUMENS 180lm	BEAM ANGLE 60°
DELIVERED LUMENS 163lm	CRI 95 TYP
COLOUR TEMPERATURE 2700K 3000K	TM-30 RF: 93 RG: 99
ACCESSORY HOLDER N/A	WARRANTY 5 Years
ACCESSORIES Snoots	STANDARDS



Photometry shown is for 3000K module. Please enquire for other CCT photometry. L90 50,000 hours.



LUMINAIRE FINISH

	White 9010	Matt Anodised Black	Brushed Aluminium	Rubbed Bronze*	Polished Brass*	Brushed Brass*
Luminaire	802-WH-XX9560	802-EBA-XX9560	802-AL-XX9560	802-RB-XX9560	802-PB-XX9560	802-SB-XX9560
Minipoint	770-M-A-DC-WH	770-M-A-DC-EBA	770-M-A-DC-AL	770-M-A-DC-RB	770-M-A-DC-PB	770-M-A-DC-SB

*All premium & custom finishes are built & finished to order. These are subject to an extended lead time & MOQ

For 3000K Substitute XX with 30

For 2700K Substitute XX with 27