

## OVERVIEW



Pico Jack is a Constant Current single source LED spotlight that is machined from aerospace grade aluminium 6063-T6 and comes as standard in white, black and brushed aluminium. It has three site-changeable optics for flexible beam distribution and is fully adjustable with lockable 360° pan and 180° tilt. The narrow beam in our 2.24W 180lm module has a peak intensity of 1566cd. A snoot and accessory holder snoot is available separately. The luminaire is compatible with our Minipoint system that enables a plug and play setup where luminaires can be swapped to suit changing lighting requirements.

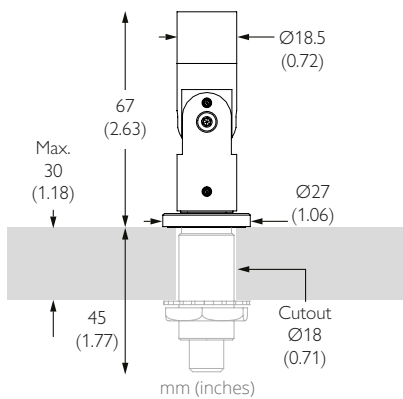
UK PART L	Part L1A / L1B (Dwellings)	EXEMPT
	Part L2A (General)	EXEMPT
	Part L2A (Display)	EXEMPT



## PERFORMANCE

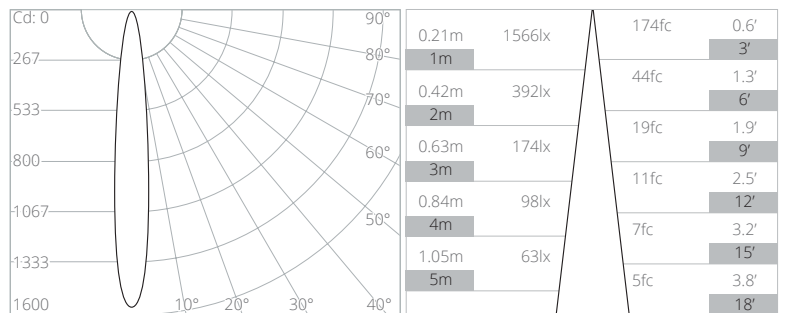
FWHM	12°	Category	IP20
Luminous Flux	164 lm	Material	Machined AL 6063-T6
Peak Intensity	1566 cd	Finishes	Brushed Aluminium   Black RAL9005   White RAL9010
CCT	2700K   3000K	Weight	67g   0.15lb
CRI Min.	95 TYP	Mounting	Minipoints
Drive Current	700 mA	Movement	Pan 360°   Tilt 180°
Nom. Voltage	3.2 V	Lockable	Pan & Tilt
Max. Wattage	2.24 W	Accessories	Pico Plus Attachment   Snoots
Dimming	0-10V   DALI	TM65   TM66	7.74kgCO2e   2.4
Driver Type	Constant Current   Remote	Lifetime	L90B10 100,000hrs   5 year warranty
Class	SELV   Class III		

## DIMENSIONS



## PHOTOMETRY

CCT	Multiplier
2700K	x1.00
3000K	x1.00



Data at 3000K

## LUMINAIRE ORDER CODE

Model	Finish	CCT	Beam Angle
801	-	-	-
	WH White RAL 9010	2795 2700K 95CRI	12 Narrow
	BK Black RAL 9005	3095 3000K 95CRI	30 Medium
	AL Brushed Aluminium		60 Flood
	RB Rubbed Bronze		
	PB Polished Brass		
	SB Brushed Brass		

## MINIPOINT ORDER CODE

Model	Finish
770-M-A-DC	-
	WH White RAL 9010
	EBA Black RAL 9005
	AL Brushed Aluminium
	RB Rubbed Bronze
	PB Polished Brass
	SB Brushed Brass

Example Code: 801-WH-309512

\*Premium & custom finishes are built to order, subject to an extended lead time & MOQ  
See Drivers, Power Supplies and Accessories sections for further order codes

Example Code: 770-M-A-DC-WH

## OVERVIEW



Pico Jack is a Constant Current single source LED spotlight that is machined from aerospace grade aluminium 6063-T6 and comes as standard in white, black and brushed aluminium. It has three site-changeable optics for flexible beam distribution and is fully adjustable with lockable 360° pan and 180° tilt. The medium beam in our 2.24W 180lm module has a peak intensity of 470cd. A snoot and accessory holder snoot is available separately. The luminaire is compatible with our Minipoint system that enables a plug and play setup where luminaires can be swapped to suit changing lighting requirements.

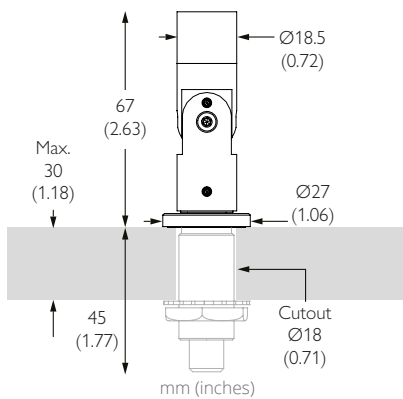
UK PART L	Part L1A / L1B (Dwellings)	EXEMPT
	Part L2A (General)	EXEMPT
	Part L2A (Display)	EXEMPT



## PERFORMANCE

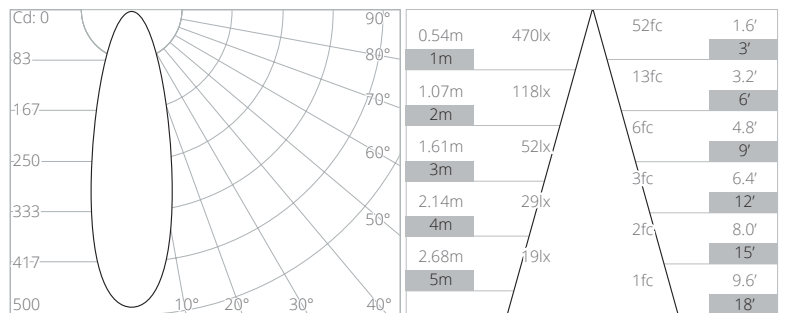
FWHM	30°	Category	IP20
Luminous Flux	150 lm	Material	Machined AL 6063-T6
Peak Intensity	470 cd	Finishes	Brushed Aluminium   Black RAL9005   White RAL9010
CCT	2700K   3000K	Weight	67g   0.15lb
CRI Min.	95 TYP	Mounting	Minipoints
Drive Current	700 mA	Movement	Pan 360°   Tilt 180°
Nom. Voltage	3.2 V	Lockable	Pan & Tilt
Max. Wattage	2.24 W	Accessories	Pico Plus Attachment   Snoots
Dimming	0-10V   DALI	TM65   TM66	7.74kgCO2e   2.4
Driver Type	Constant Current   Remote	Lifetime	L90B10 100,000hrs   5 year warranty
Class	SELV   Class III		

## DIMENSIONS



## PHOTOMETRY

CCT	Multiplier
2700K	x1.00
3000K	x1.00



Data at 3000K

## LUMINAIRE ORDER CODE

Model	Finish	CCT	Beam Angle
801	-	-	-
	WH White RAL 9010	2795 2700K 95CRI	12 Narrow
	BK Black RAL 9005	3095 3000K 95CRI	30 Medium
	AL Brushed Aluminium		60 Flood
	RB Rubbed Bronze		
	PB Polished Brass		
	SB Brushed Brass		

## MINIPOINT ORDER CODE

Model	Finish
770-M-A-DC	-
	WH White RAL 9010
	EBA Black RAL 9005
	AL Brushed Aluminium
	RB Rubbed Bronze
	PB Polished Brass
	SB Brushed Brass

Example Code: 801-WH-309530

\*Premium & custom finishes are built to order, subject to an extended lead time & MOQ  
See Drivers, Power Supplies and Accessories sections for further order codes

Example Code: 770-M-A-DC-WH

## OVERVIEW

Pico Jack is a Constant Current single source LED spotlight that is machined from aerospace grade aluminium 6063-T6 and comes as standard in white, black and brushed aluminium. It has three site-changeable optics for flexible beam distribution and is fully adjustable with lockable 360° pan and 180° tilt. The flood beam in our 2.24W 180lm module has a peak intensity of 163cd. A snoot and accessory holder snoot is available separately. The luminaire is compatible with our Minipoint system that enables a plug and play setup where luminaires can be swapped to suit changing lighting requirements.



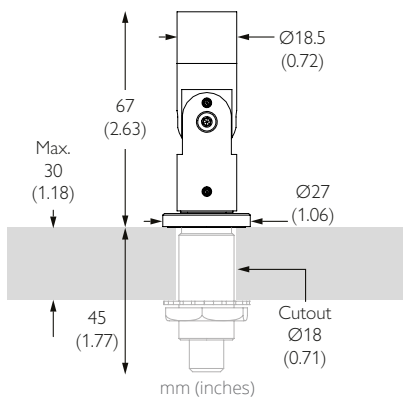
UK PART L	Part L1A / L1B (Dwellings)	EXEMPT
	Part L2A (General)	EXEMPT
	Part L2A (Display)	EXEMPT



## PERFORMANCE

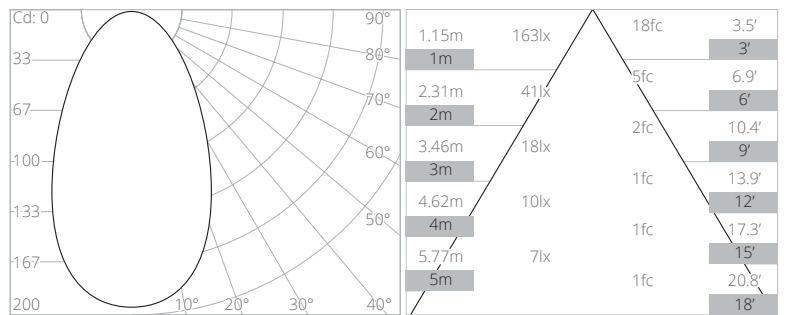
FWHM	60°	Category	IP20
Luminous Flux	163 lm	Material	Machined AL 6063-T6
Peak Intensity	163 cd	Finishes	Brushed Aluminium   Black RAL9005   White RAL9010
CCT	2700K   3000K	Weight	67g   0.15lb
CRI Min.	95 TYP	Mounting	Minipoints
Drive Current	700 mA	Movement	Pan 360°   Tilt 180°
Nom. Voltage	3.2 V	Lockable	Pan & Tilt
Max. Wattage	2.24 W	Accessories	Pico Plus Attachment   Snoots
Dimming	0-10V   DALI	TM65   TM66	7.74kgCO2e   2.4
Driver Type	Constant Current   Remote	Lifetime	L90B10 100,000hrs   5 year warranty
Class	SELV   Class III		

## DIMENSIONS



## PHOTOMETRY

CCT	Multiplier
2700K	x1.00
3000K	x1.00



Data at 3000K

## LUMINAIRE ORDER CODE

Model	Finish	CCT	Beam Angle
801	-	-	-
	WH White RAL 9010	2795 2700K 95CRI	12 Narrow
	BK Black RAL 9005	3095 3000K 95CRI	30 Medium
	AL Brushed Aluminium		60 Flood
	RB Rubbed Bronze		
	PB Polished Brass		
	SB Brushed Brass		

## MINIPOINT ORDER CODE

Model	Finish
770-M-A-DC	-
	WH White RAL 9010
	EBA Black RAL 9005
	AL Brushed Aluminium
	RB Rubbed Bronze
	PB Polished Brass
	SB Brushed Brass

Example Code: 801-WH-309560

\*Premium & custom finishes are built to order, subject to an extended lead time & MOQ  
See Drivers, Power Supplies and Accessories sections for further order codes

Example Code: 770-M-A-DC-WH

## DRIVERS

### 20W | DIMMING: DALI OR 0-10V

NO. OF LIGHTS PER DRIVER 1 to 8 in series

MIN DIM LEVEL 0.1%

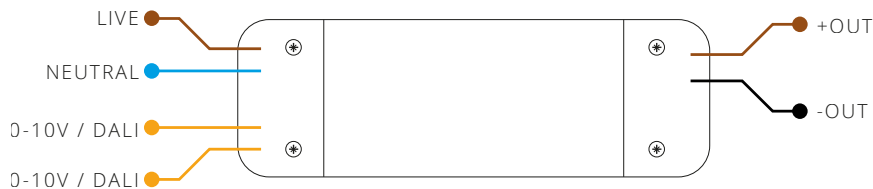
VOLTAGE REGION 230V

FOR NORTH AMERICA No

WATTAGE 20W

SUPPLY TYPE Constant Current

DRIVER LOCATION Remote



DALI CODE PSCC-20-700-D-EL

0-10V CODE PSCC-20-700-A-EL

LENGTH 160mm (6.30") WIDTH 41mm (1.63") HEIGHT 30mm (1.18")



### 30W | DIMMING: DALI OR 0-10V

NO. OF LIGHTS PER DRIVER 1 to 12 in series

MIN DIM LEVEL 0.1%

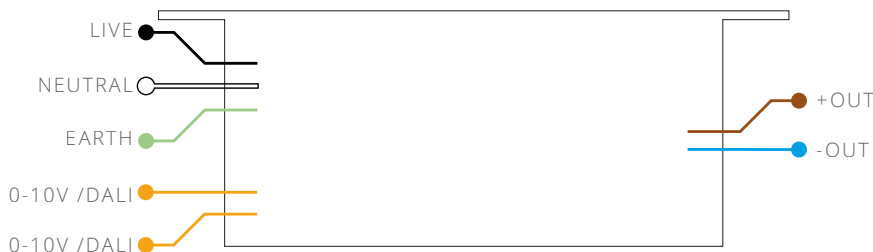
VOLTAGE REGION 120V

FOR NORTH AMERICA Yes

WATTAGE 30W

SUPPLY TYPE Constant Current

DRIVER LOCATION Remote



DALI CODE USCC-30-700-D-EL-ENC

0-10V CODE USCC-30-700-A-EL-ENC

LENGTH 348mm (13.7") WIDTH 65mm (2.6") HEIGHT 47mm (1.9")

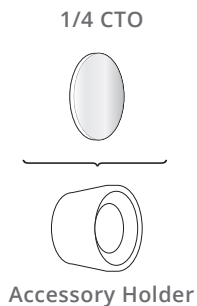


# PICO SERIES SPOTLIGHT ACCESSORIES

FOR USE WITH PICO PLUS

## ACCESSORIES

Included as standard with a Pico Plus, available as a standalone addition with below part code.



### Pico Plus Accessory Holder

*Screw on lens holder*

**HEIGHT** 29mm ( 1.142" )

**DAIMETER** 26mm ( 1.024" )

**PART CODE** 704-AL - Brushed Aluminium  
704-BK - Black  
704-WH - White

### 1/4 CTO Dichroic

*CCT warming - approx 300K*

**THICKNESS** 1.8mm ( 0.071" )

**DAIMETER** 20mm ( 0.787" )

**PART CODE** 997-1/4CTO-20



## OPTICS

### Primary Optic

*Primary beam angle control*



**12° CODE** 701-12

**30° CODE** 701-30

**60° CODE** 701-60

# MINIPOINT JACK SYSTEM

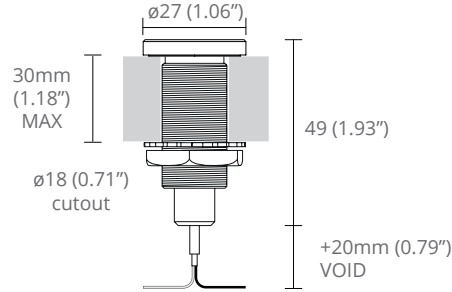
## MOUNTING OPTIONS

### MOUNTING OPTIONS

#### NODE MINIPOINT

For mounting into cabinetry

MINIPOINT CODE	FINISH
770-M-A-DC-AL	Brushed Aluminium
770-M-A-DC-WH	White RAL 9010
770-M-A-DC-EBA	Black RAL 9005
770-M-A-DC-AL	Rubbed Bronze
770-M-A-DC-AL	Polished Brass
770-M-A-DC-AL	Brushed Brass



#### MINIPOINT PLUG

For closing an open circuit / unused minipoint

MONOPOINT CODE	FINISH
770-BPA-AL	Brushed Aluminium
770-BPA-WH	White RAL 9010
770-BPA-EBA	Black RAL 9005
770-BPA-RB	Rubbed Bronze
770-BPA-PB	Polished Brass
770-BPA-SB	Brushed Brass

