

Features



- Enclosure made of stainless steel with seamless rubber sealed cover.
- Liquid tight conduit connectors are provided.
- Input Voltage: 120-277VAC
- ELV reverse phase dimming
- Safety, UL8750
DO NOT INTERCONNECT CLASS 2 OUTPUT CIRCUIT
- 5 year Warranty

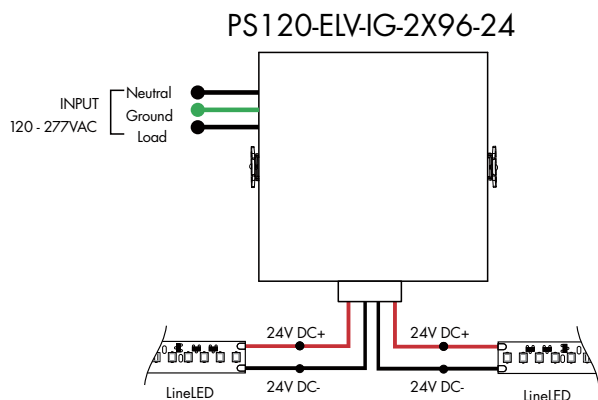


Technical Information

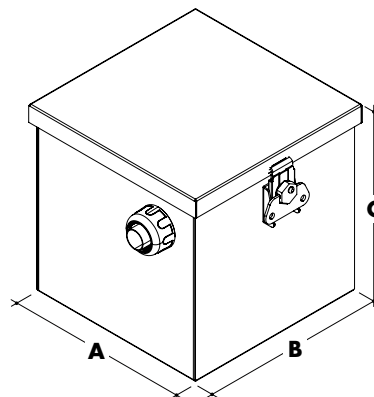
MODEL		PS120-ELV-IG-2X96-24
ELECTRICAL	Voltage/ Frequency	120 - 277V AC @ 50/60Hz
	Inrush Current	70A @ 120V
	Power Factor	> 0.99 @ 120V*
	Efficiency	0.89 @ 120V*
	Max Input Current	1.1 @ 120V*
	Max Output Power	2 x 96W
	Max Output Current	4.0A
	Output Voltage	24V DC
	Total Harmonic Distortion	< 10%*
	Start Up Time	< 0.5S*
	Minimum Load	0%
	Dimming (Phase)	1% - 100% LOG
RATING	Environment	Dry IP20 NEMA 4X
	Compliance	UL 8750
	Ambient Operating Temperature Range	-20 to 55°C
DIMENSIONS	Length A	8.40"
	Width B	8.30"
	Height C	8.10"
Net. Weight		14.2 lbs

*At max load

General Wiring Diagram



Dimensions



Ordering Code

MODEL	INPUT CONTROL	ENVIRONMENT	WATTAGE	OUTPUT
PS120 - Power Supply, 120VAC PS240 - Power Supply, 240VAC PS277 - Power Supply, 277VAC	ELV - ELV Dimming (x%)	IG - In Ground	2X96 - 2X96 Watts	24 - 24 VDC