



Features

- PS-UNI-W with IP66 rating for wet and dry locations
- PS-UNI-D with IP20 rating for dry location only (SEE NOTE FOR WHAT VENDOR SPEC SAYS)
- Constant voltage output
- Input Voltage: 120-277VAC
- Compatible with Triac, MLV, ELV, 0-10V, PWM dimmers
- Flickerfree dimming
- Cooling by free air convection
- Full protection metal case
- Auto reset breakers, from short circuit, overloading, & over temperature
- 5 year Warranty

Technical Information

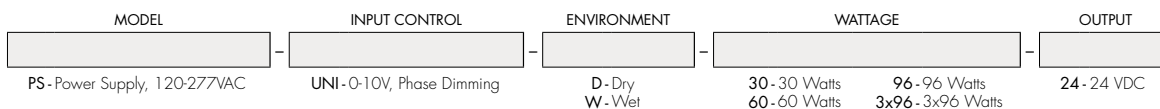


IP66 MODEL		PS-UNI-W-30-24	PS-UNI-W-60-24	PS-UNI-W-96-24	PS-UNI-W-3x96-24
ELECTRICAL	Voltage / Frequency	120-277V AC @ 50/60Hz	120-277V AC @ 50/60Hz	120-277V AC @ 50/60Hz	120-277V AC @ 50/60Hz
	Inrush Current	7A, 420us @ 50% 120V AC 12A, 480us @ 50% 277V AC	22.4A, 82us @ 50% 120V AC 42.4A, 47us @ 50% 277V AC	20A, 1.6ms @ 50% 120V AC 25A, 1.2ms @ 50% 277V AC	35A, 960us @ 50% 120V AC 43A, 1ms @ 50% 277V AC
	Power Factor	0.99 @ 120V* 0.95 @ 277V*	0.98 @ 120V* 0.95 @ 277V*	0.98 @ 120V* 0.95 @ 277V*	0.99 @ 120V* 0.95 @ 277V*
	Efficiency	0.79 @ 120V* 0.80 @ 277V*	0.84 @ 120V* 0.86 @ 277V*	0.83 @ 120V* 0.86 @ 277V*	0.87 @ 120V* 0.91 @ 277V*
	Maximum Input Current	0.5A @ 100V AC	≤ 0.9A	1.3A	3.4A @ 100V AC
	Maximum Output Power	30W	60W	96W	3 x 96W
	Maximum Output Current	1.25A	2.5A	4.0A	3 x 4.0A
	Output Voltage	24V DC	24V DC	24V DC	24V DC
	Total Harmonic Distortion	< 20%*	< 20%*	< 20%*	< 20%*
	Start Up Time	< 0.55*	< 0.55*	< 0.55*	< 0.55*
	Minimum Load	10%	10%	10%	10%
	Dimming (0-10V)	1% - 100% LOG	1% - 100% LOG	1% - 100% LOG	1% - 100% LOG
	Dimming (Phase)	1% - 100% LOG	1% - 100% LOG	1% - 100% LOG	1% - 100% LOG
0-10V Current Draw	0.2mA	0.2mA	0.2mA	0.2mA	
RATING	Environment	Wet IP66	Wet IP66	Wet IP66	Wet IP66
	Compliance	UL 8750	UL 8750	UL 8750	UL 8750
	Ambient Operating Temperature Range	-40 to 60°C	-40 to 60°C	-40 to 60°C	-40 to 60°C
DIMENSIONS	Length	A 6.50"	7.40"	8.66"	11.85"
	Width	B 3.73"	3.73"	3.73"	4.32"
	Height	C 1.61"	1.61"	1.61"	1.81"
Net. Weight		2.0 lbs	2.4 lbs	2.8 lbs	5.2 lbs

IP20 MODEL		PS-UNI-D-30-24	PS-UNI-D-60-24	PS-UNI-D-96-24	PS-UNI-D-3x96-24
ELECTRICAL	Voltage / Frequency	120-277V AC @ 50/60Hz	120-277V AC @ 50/60Hz	120-277V AC @ 50/60Hz	120-277V AC @ 50/60Hz
	Inrush Current	70A @ 277V	70A @ 277V	80A @ 277V	90A @ 277V
	Power Factor	> 0.94 @ 120-277V*	> 0.94 @ 120-277V*	> 0.94 @ 120-277V*	> 0.9 @ 120-277V*
	Efficiency	0.80 @ 120V* 0.80 @ 277V*	0.84 @ 120V* 0.85 @ 277V*	0.83 @ 120V* 0.86 @ 277V*	0.90 @ 120V* 0.92 @ 277V*
	Maximum Input Current	0.35A @ 120V 0.17A @ 277V	0.75A @ 120V 0.33A @ 277V	1.05A @ 120V 0.45A @ 277V	3.00A @ 120V AC 1.80A @ 277V AC
	Maximum Output Power	30W	60W	96W	3 x 96W
	Maximum Output Current	1.25A	2.5A	4.0A	4.0A
	Output Voltage	24V DC	24V DC	24V DC	24V DC
	Total Harmonic Distortion	< 20%*	< 20%*	< 20%*	< 20%*
	Start Up Time	< 0.55*	< 0.55*	< 0.55*	< 0.55*
	Minimum Load	10%	10%	10%	10%
	Dimming (0-10V)	1% - 100% LOG	1% - 100% LOG	1% - 100% LOG	1% - 100% LOG
	Dimming (Phase)	1% - 100% LOG	1% - 100% LOG	1% - 100% LOG	1% - 100% LOG
0-10V Current Draw	0.25mA	0.25mA	0.25mA	0.25mA	
RATING	Environment	Dry IP20 NEMA 3R	Dry IP20 NEMA 3R	Dry IP20 NEMA 3R	Dry IP20 NEMA 3R
	Compliance	UL 8750	UL 8750	UL 8750	UL 8750
	Ambient Operating Temperature Range	-40 to 60°C	-40 to 60°C	-40 to 60°C	-40 to 60°C
DIMENSIONS	Length	A 6.50"	7.40"	8.11"	9.94"
	Width	B 3.73"	3.73"	5.60"	7.61"
	Height	C 1.61"	1.61"	1.83"	2.02"
Net. Weight		2.0 lbs	2.0 lbs	4.0 lbs	8.0 lbs

Ordering Code

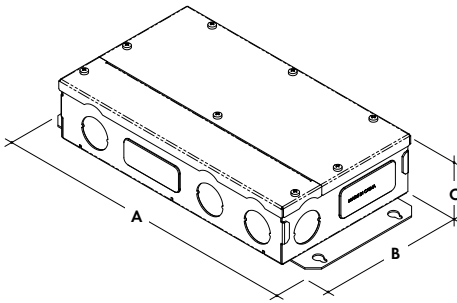
*At max load



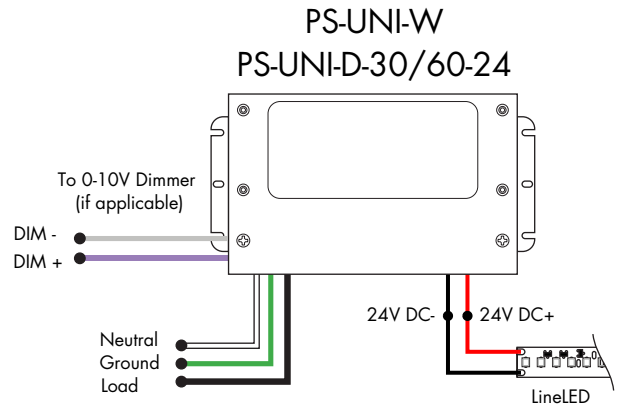
0-10V - 1% dimming
MLV/ELV/TRIAC - 1% dimming, consult dimming compatibility chart

Compatibility:
View a complete list of compatible dimmers on product page ([Link](#))

Product Dimensions

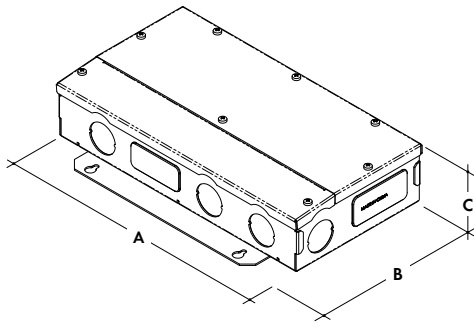


General Wiring Diagram

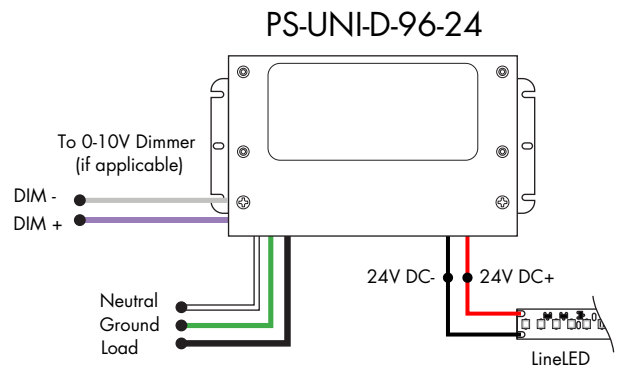


Note: Over the white, green, and black wires, connect to ELV and MLV dimmer.

Product Dimensions

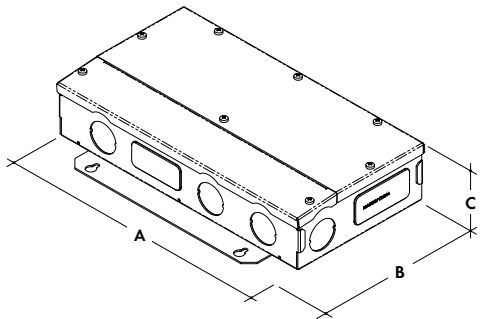


General Wiring Diagram

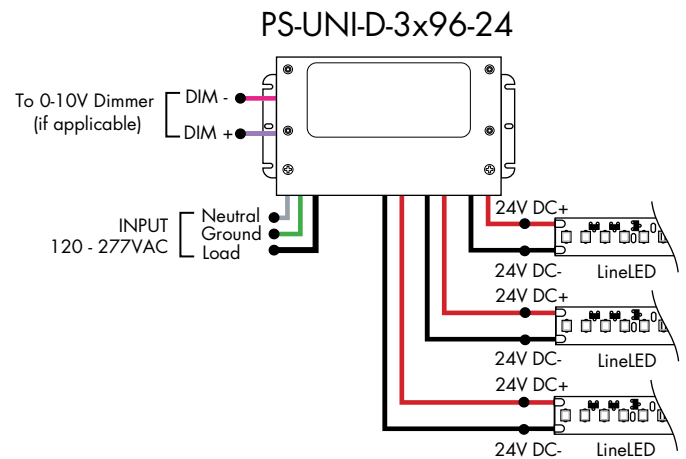


Note: Over the white, green, and black wires, connect to ELV and MLV dimmer.

Product Dimensions



General Wiring Diagram



Note: Over the white, green, and black wires, connect to ELV and MLV dimmer.