

Features

- Constant voltage output
- Input Voltage 120-277VAC
- Cooling by free air convection
- Full protection metal case
- Auto reset breakers, from short circuit, overloading, & over temperature
- Suitable for Dry locations
- 5 year Warranty

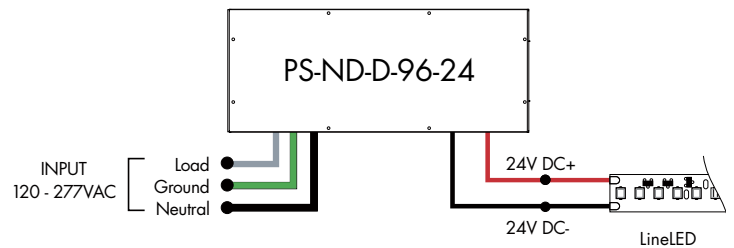


Technical Information

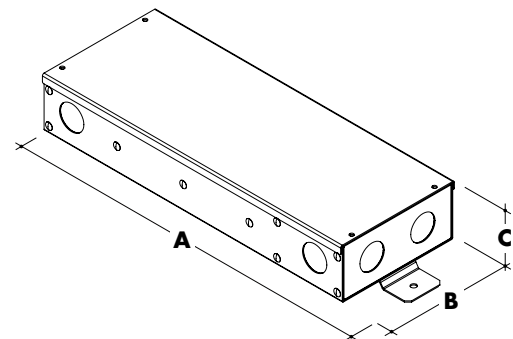
MODEL		PS-ND-D-96-24
ELECTRICAL	Voltage/ Frequency	120 - 277V AC @ 50/60Hz
	Inrush Current	70A @ 277V
	Power Factor	> 0.94 @ 120~277V*
	Efficiency	0.88 @ 120V* 0.89 @ 277V*
	Max Input Current	0.95A @ 120V 0.42A @ 277V
	Max Output Power	96W
	Max Output Current	4.0A
	Output Voltage	24V DC
	Total Harmonic Distortion	< 20%*
	Start Up Time	< 0.5S*
	Minimum Load	10%
RATING	Environment	Dry IP20 NEMA 1
	Compliance	UL 8750
	Ambient Operating Temperature Range	- 40 to 60°C
DIMENSIONS	Length A	14.40"
	Width B	5.20"
	Height C	2.60"
Net. Weight		2.2 lbs

*At max load

General Wiring Diagram



Dimensions



Ordering Code

