

Non Dimming LED Driver 96 Watt - Installation Instructions

Models PS-ND-D-96-24

Please read all instructions prior to installation and keep for future reference!

This power supply is to be installed in accordance with Article 450 of the National Electrical Code. The power supply must be installed in a well ventilated area and free from explosive gases and vapors. Proper operation requires the free flow of air. As this power supply is hardwired, it should be installed by a qualified electrician. UL class 2 recognized

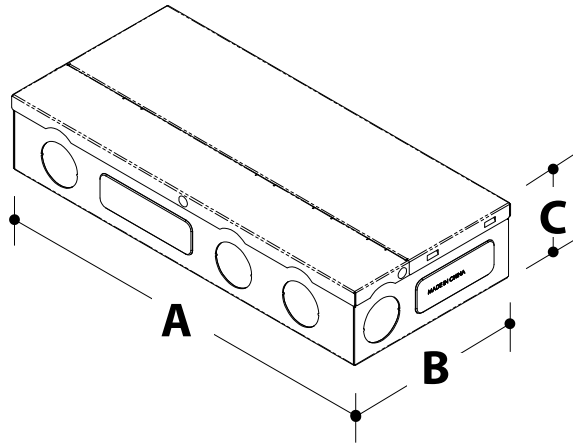


REVO.2
09202024

1 / 2



7777 Merrimac Ave
Niles, IL 60714
T 224.333.6033
F 224.757.7557
info@luminii.com
www.luminii.com



MODELS	PS-ND-D-96-24
MAX Load	96 watts
A. Length	8.25"
B. Width	4.10"
C. Depth	1.56"
Net Weight	2.20 lbs

1

Before installing, check the label and ensure the power supply has the proper input voltage, output voltage, and wattage for the job. Check the wire markings to ensure they match the wiring diagram below. Refer to table above for the maximum loads!

1.1 Power supply can be mounted vertically or horizontally, with a minimum of 3" clearance to provide proper air circulation.

2

2.1 Remove the three Phillips screws from the top of the driver housing and pull the cover off to expose the driver wires.

3

3.1 Insert the 120-277 VAC power into the driver housing from the electrical panel. Then, bring the 24V DC low voltage wires from the LEDs into the driver housing. Refer to diagram on page 2 to make all the proper wiring connections.

Non Dimming LED Driver 96 Watt - Installation Instructions

Models PS-ND-D-96-24

Please read all instructions prior to installation and keep for future reference!

This power supply is to be installed in accordance with Article 450 of the National Electrical Code. The power supply must be installed in a well ventilated area and free from explosive gases and vapors. Proper operation requires the free flow of air. As this power supply is hardwired, it should be installed by a qualified electrician. UL class 2 recognized

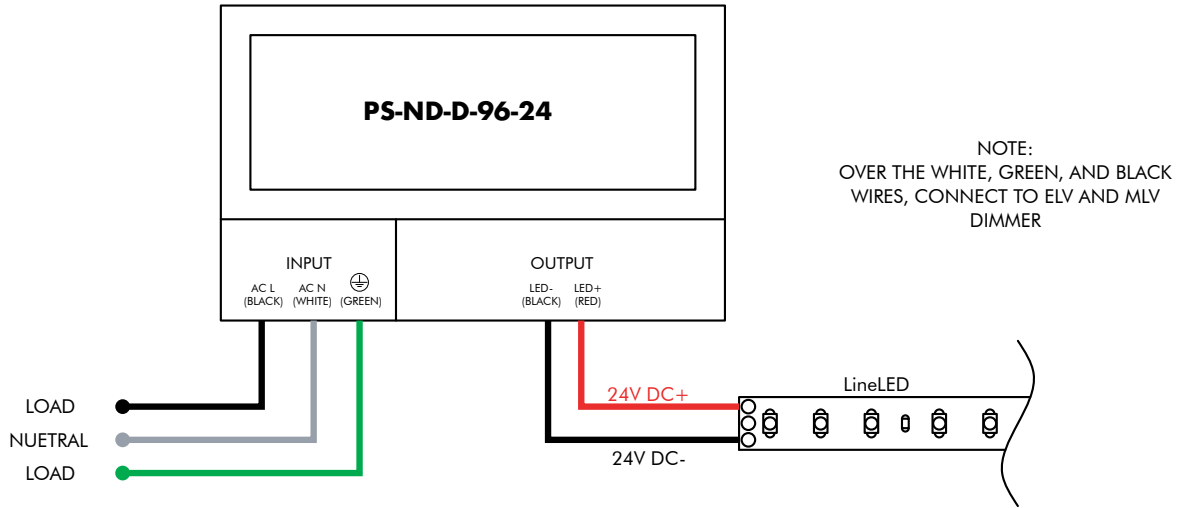


7777 Merrimac Ave
Niles, IL 60714
T 224.333.6033
F 224.757.7557
info@luminii.com
www.luminii.com

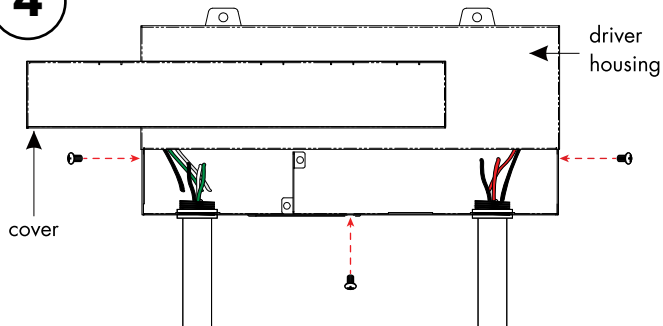
REVO.2
09202024

2 / 2

WIRING DIAGRAM



4



4.1 Insert the wire nut connections in the driver housing and close housing cover. Secure by tightening the three screws.