

DMX LED Driver 96 watt - Installation Instructions

MODELS PS-DMX-D-96-24



7777 Merrimac Ave
Niles, IL 60714
T 224.333.6033
F 224.757.7557
info@luminii.com
www.luminii.com

PLENUM FOR SUCH USE IN ACCORDANCE WITH UL2043

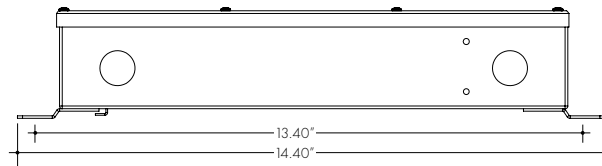
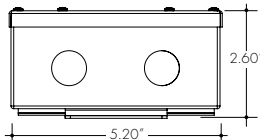
REVO.2
12182024

1 / 5

Please read all instructions prior to installation and keep for future reference!

This LED Driver is to be installed in accordance with Article 450 of the National Electrical Code. The LED Driver must be installed in a well ventilated area and free from explosive gases and vapors. Proper operation requires the free flow of air. As this LED Driver is hardwired, it should only be installed by a qualified electrician. Suitable for Damp locations.

| | |
|--------------|---------------------------------|
| Input | 120 - 277 V AC, 1.1 A, 50/60 Hz |
| Output | 24 V DC, 4.0 A |
| Max. Wattage | 96 W |



1

Before installing, check the label and ensure the LED driver has the proper input voltage, output voltage, and wattage for the job. Check the wire markings to ensure they match the wiring diagram below. Refer to table above for the maximum loads!

3" min.

1.1 LED driver can be mounted vertically or horizontally. With a minimum of 3" clearance around LED driver to provide proper air circulation.

2

cover

housing

2.1 Remove the cover from top of the driver housing to expose the driver wires. Screws for cover will be found inside the housing.

3

DMX controller wire conduit

driver housing

LED wire conduit

120-277 VAC conduit

3.1 Insert the 120 - 277V AC power into the driver housing from the electrical panel. Followed by bringing 24V DC low voltage conduit one for the LED and other for the controller wires. Refer to diagram on page 2 to make all the proper wiring connections. Also, refer to page 3 to program decoder correctly.

DMX LED Driver 96 watt - Installation Instructions

MODELS PS-DMX-D-96-24

Please read all instructions prior to installation and keep for future reference!

This LED Driver is to be installed in accordance with Article 450 of the National Electrical Code. The LED Driver must be installed in a well ventilated area and free from explosive gases and vapors. Proper operation requires the free flow of air. As this LED Driver is hardwired, it should only be installed by a qualified electrician. Suitable for Damp locations.

PLENUM FOR SUCH USE IN ACCORDANCE WITH UL2043

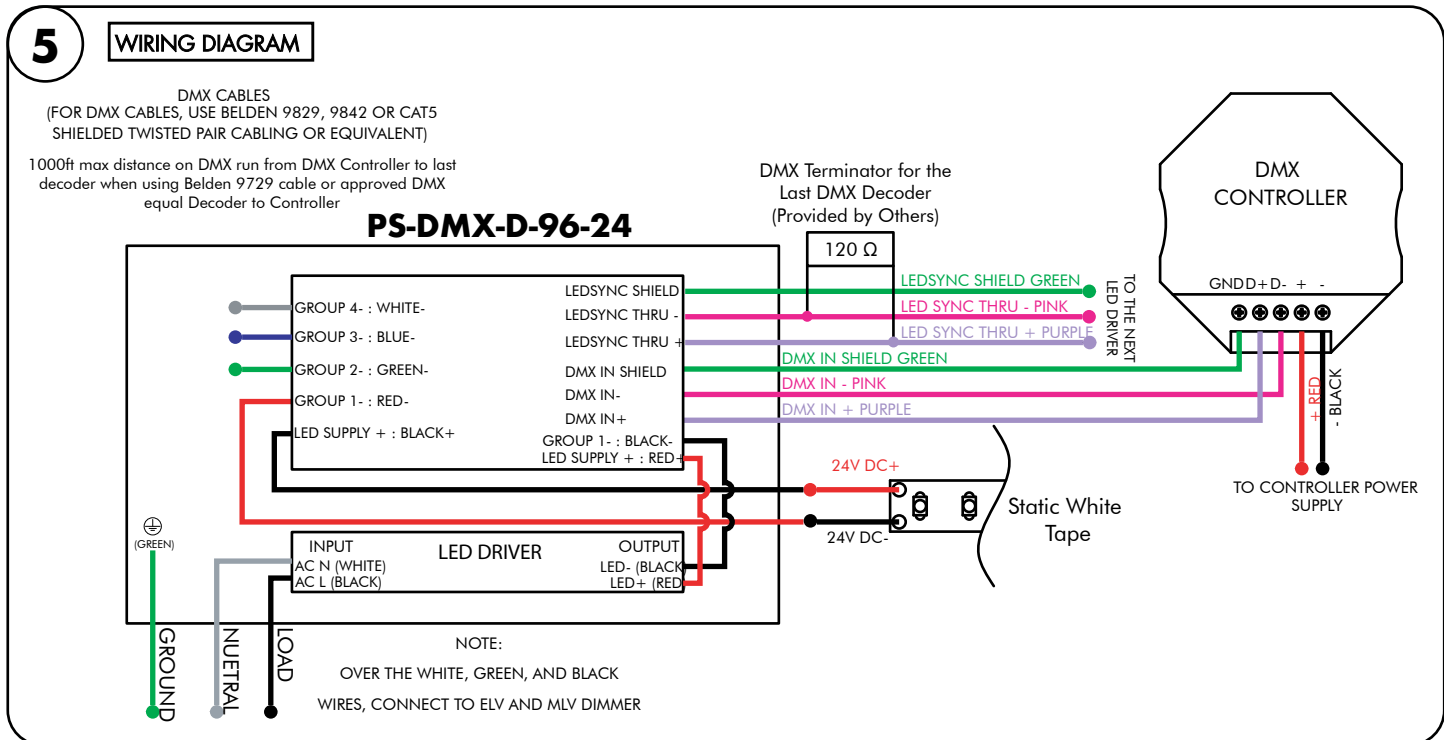
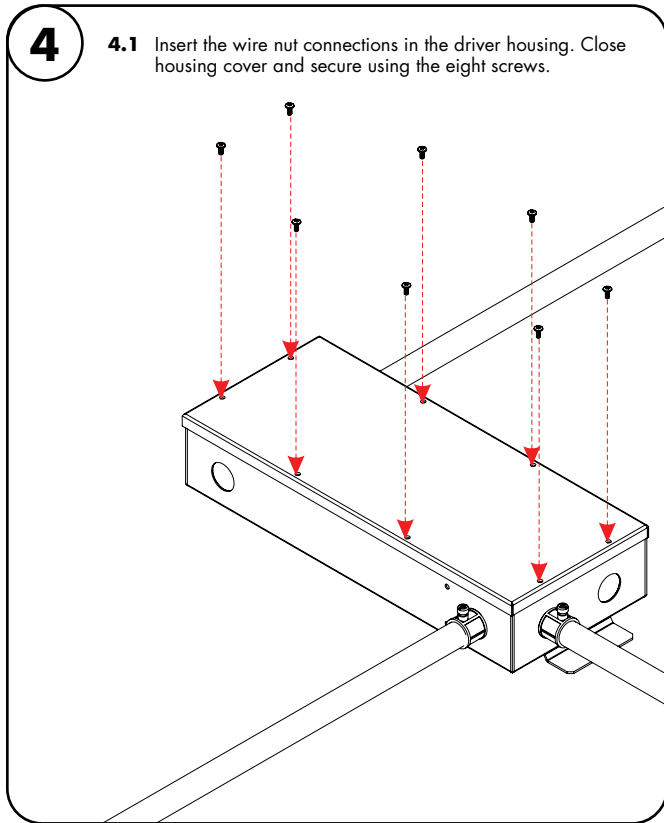


REVO.2
12182024



7777 Merrimac Ave
Niles, IL 60714
T 224.333.6033
F 224.757.7557
info@luminii.com
www.luminii.com

2 / 5



DMX LED Driver 96 watt - Installation Instructions

MODELS PS-DMX-D-96-24

Please read all instructions prior to installation and keep for future reference!

This LED Driver is to be installed in accordance with Article 450 of the National Electrical Code. The LED Driver must be installed in a well ventilated area and free from explosive gases and vapors. Proper operation requires the free flow of air. As this LED Driver is hardwired, it should only be installed by a qualified electrician. Suitable for Damp locations.

PLENUM FOR SUCH USE IN ACCORDANCE WITH UL2043



REV.0.2
12182024

3 / 5

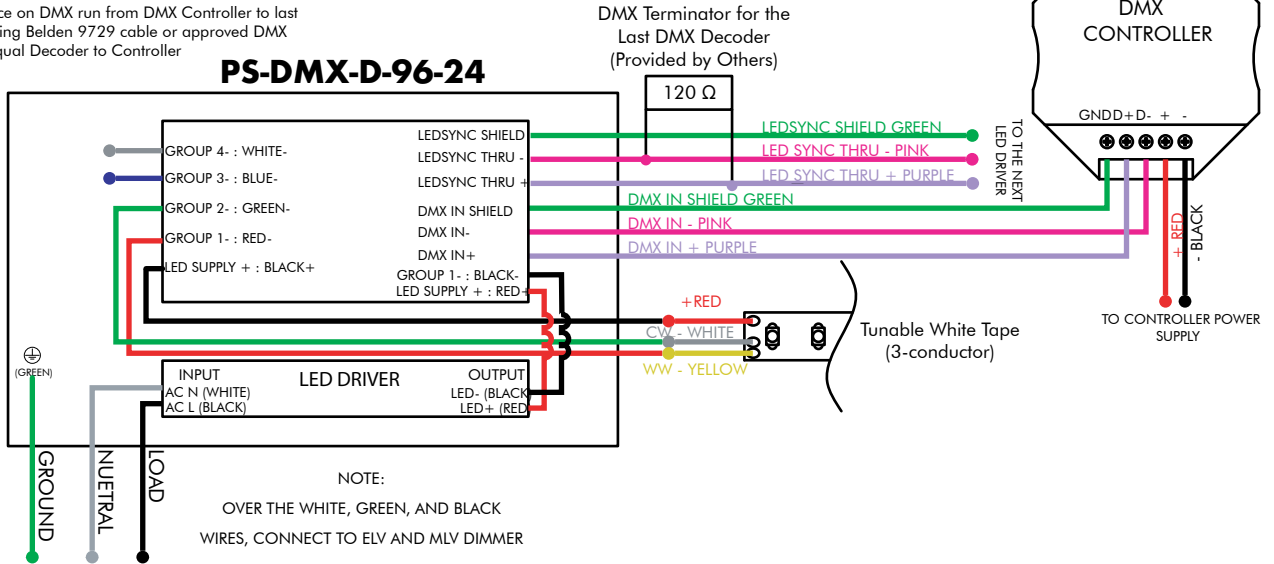


7777 Merrimac Ave
Niles, IL 60714
T 224.333.6033
F 224.757.7557
info@luminii.com
www.luminii.com

WIRING DIAGRAM

DMX CABLES
(FOR DMX CABLES, USE BELDEN 9829, 9842 OR CAT5 SHIELDED TWISTED PAIR CABLING OR EQUIVALENT)

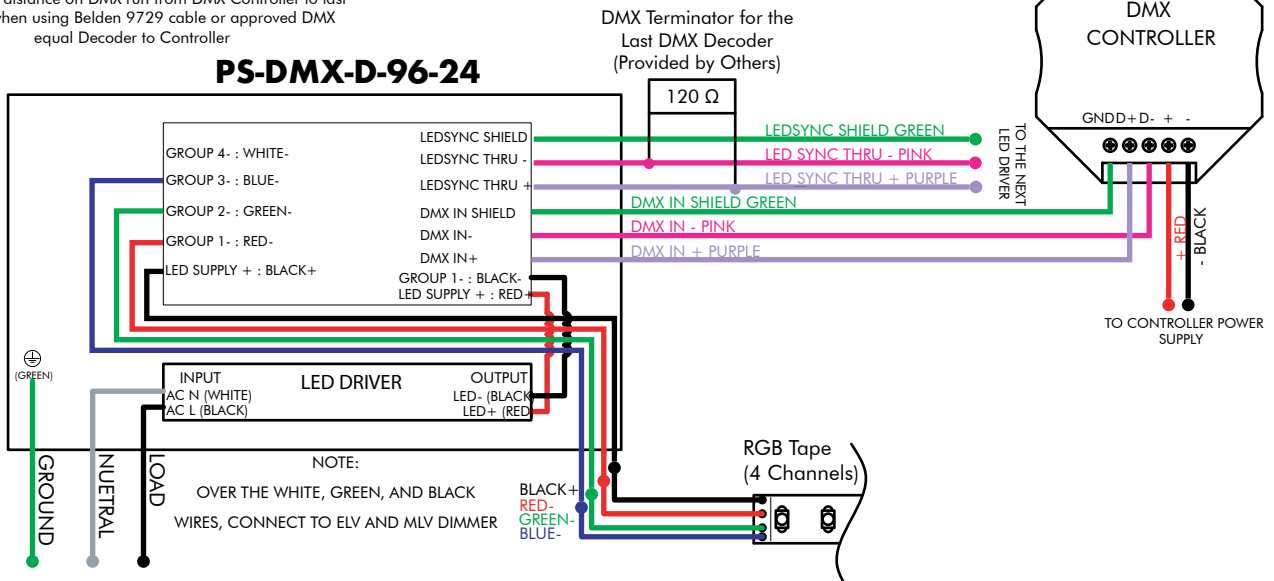
1000ft max distance on DMX run from DMX Controller to last decoder when using Belden 9729 cable or approved DMX equal Decoder to Controller



WIRING DIAGRAM

DMX CABLES
(FOR DMX CABLES, USE BELDEN 9829, 9842 OR CAT5 SHIELDED TWISTED PAIR CABLING OR EQUIVALENT)

1000ft max distance on DMX run from DMX Controller to last decoder when using Belden 9729 cable or approved DMX equal Decoder to Controller



DMX LED Driver 96 watt - Installation Instructions

MODELS PS-DMX-D-96-24

Please read all instructions prior to installation and keep for future reference!

This LED Driver is to be installed in accordance with Article 450 of the National Electrical Code. The LED Driver must be installed in a well ventilated area and free from explosive gases and vapors. Proper operation requires the free flow of air. As this LED Driver is hardwired, it should only be installed by a qualified electrician. Suitable for Damp locations.

PLENUM FOR SUCH USE IN ACCORDANCE WITH UL2043



REVO.2
12182024

4 / 5



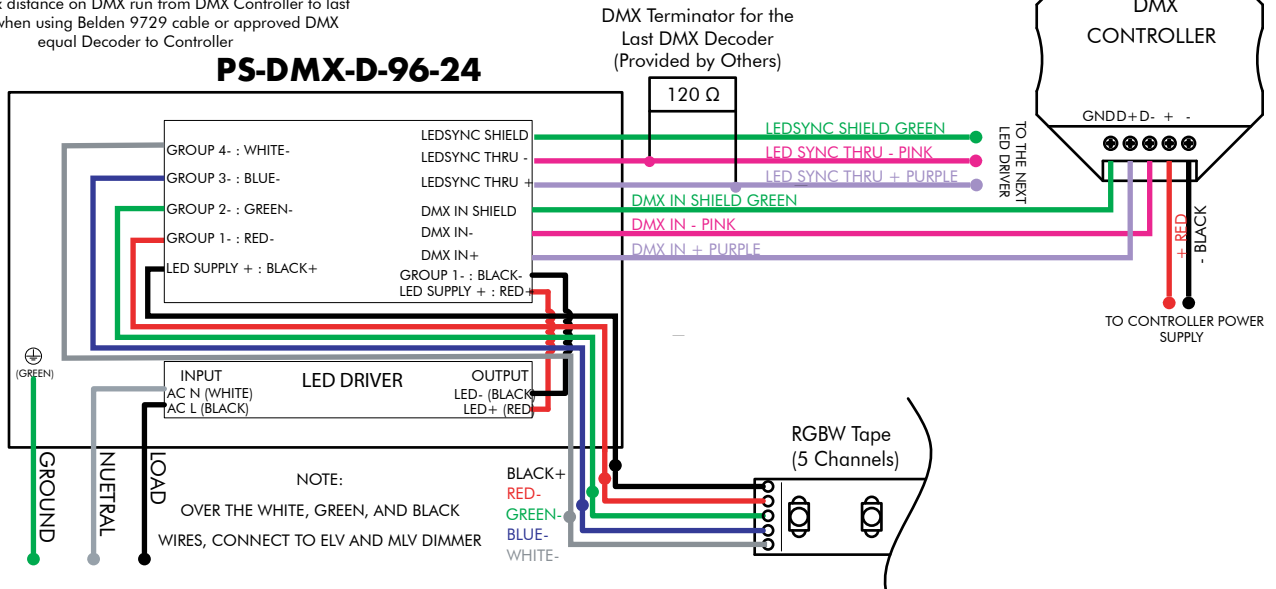
7777 Merrimac Ave
Niles, IL 60714
T 224.333.6033
F 224.757.7557
info@luminii.com
www.luminii.com

WIRING DIAGRAM

DMX CABLES
(FOR DMX CABLES, USE BELDEN 9829, 9842 OR CAT5 SHIELDED TWISTED PAIR CABLING OR EQUIVALENT)

1000ft max distance on DMX run from DMX Controller to last decoder when using Belden 9729 cable or approved DMX equal Decoder to Controller

PS-DMX-D-96-24



DMX LED Driver 96 watt - Installation Instructions

MODELS PS-DMX-D-96-24

Please read all instructions prior to installation and keep for future reference!

This LED Driver is to be installed in accordance with Article 450 of the National Electrical Code. The LED Driver must be installed in a well ventilated area and free from explosive gases and vapors. Proper operation requires the free flow of air. As this LED Driver is hardwired, it should only be installed by a qualified electrician. Suitable for Damp locations.

PLENUM FOR SUCH USE IN ACCORDANCE WITH UL2043



REVO.2
12182024



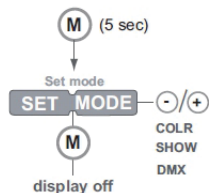
7777 Merrimac Ave
Niles, IL 60714
T 224.333.6033
F 224.757.7557
info@luminii.com
www.luminii.com

5 / 5

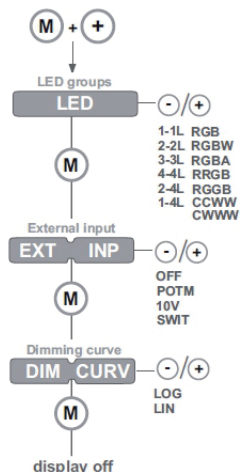
Programming the Decoder

Manual configuration

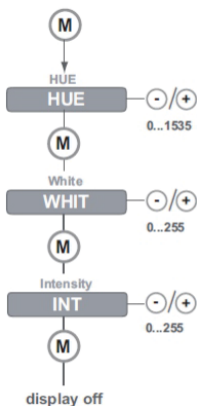
1. Select mode of operation:



2. Set LED groups:

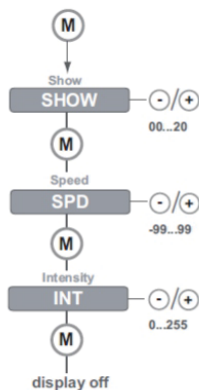


3. Standalone operation - Colour*-



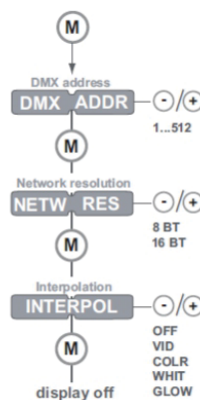
or

Standalone operation - Show -



or

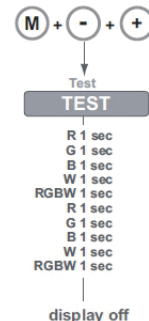
Networked operation - DMX -



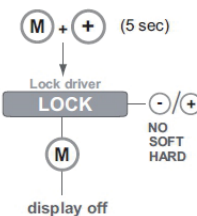
* The colour menu depends on the LED group settings you have selected in step 2.

Other features

Visual test run



Locking the configuration:



Reset to factory defaults

