



### Features

- The Class 2 DMX LED Driver is specifically designed to work with RGBW LineLED or modules and controls 96 watt using standard DMX512.
- Features eldoLED's LINEARdrive configurable dimmable DMX drivers. Intuitive user interface allows configuration of the number of channels
- DMX settings for network mode and show, color and dim values for standalone operation.
- Suitable For Damp Location
- 5 year Warranty



PLENUM FOR SUCH USE IN ACCORDANCE WITH UL2043

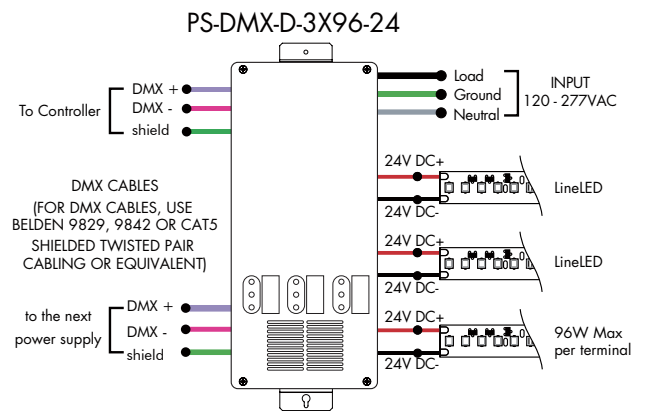
CLASS 2 TYPE HL

### Technical Information

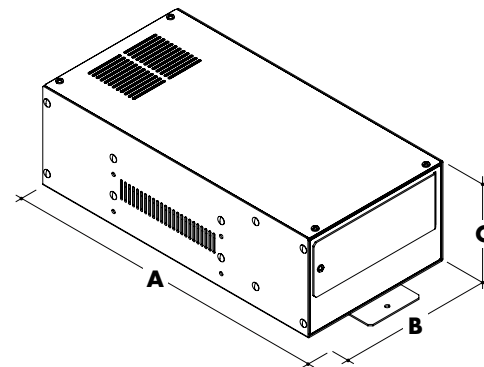
MODEL		PS-DMX-D-3X96-24
<b>ELECTRICAL</b>	Voltage/Frequency	120-277V AC @ 50/60Hz
	Inrush Current	100A @ 277V
	Power Factor	> 0.94 @ 120~277V*
	Efficiency	0.90 @ 120V 0.92 @ 277V
	Max Input Current	1.00A @ 120V 0.44A @ 277V
	Max Output Power	96W
	Max Output Current	4.0A
	Output Voltage	24V DC
	Total Harmonic Distortion	< 20%*
	Start Up Time	< 0.5S*
	Minimum Load	10%
	Dimming (DMX)	0.1% - 100%
<b>RATING</b>	Environment	Damp IP44
	Compliance	UL 8750
	Ambient Operating Temperature Range	-20 to 50°C
<b>DIMENSIONS</b>	Length A	15.00"
	Width B	6.62"
	Height C	4.56"
Net. Weight		13 lbs

\*At max load

### General Wiring Diagram



### Dimensions



### Ordering Code

MODEL	INPUT CONTROL	ENVIRONMENT	WATTAGE	OUTPUT
PS - Power Supply, 120-277VAC	DMX - DMX (0.1%)	D - Dry	3X96 - 3X96 Watts	24 - 24 VDC