



Features

- Class 2 DALI controlled LED Driver features eldoLED's LINEARdrive
- Configurable Dali drivers allowing independent control of 3 outputs rated at 96 watt each
- Suitable For Damp Location
- 5 year Warranty



PLENUM FOR SUCH USE IN ACCORDANCE WITH UL2043

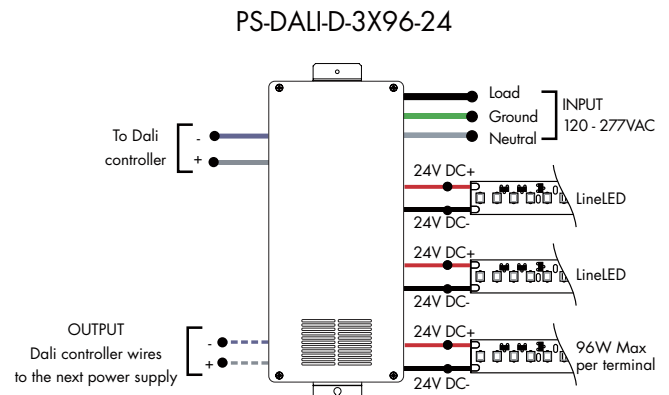
CLASS 2 TYPE HL

Technical Information

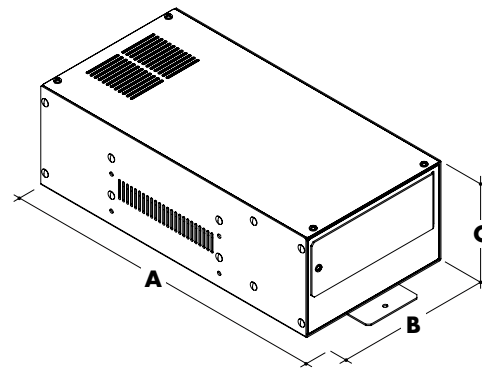
MODEL		PS-DALI-D-3X96-24
ELECTRICAL	Voltage/Frequency	120-277V AC @ 50/60Hz
	Inrush Current	100A @ 277V
	Power Factor	> 0.94 @ 120~277V*
	Efficiency	0.90 @ 120V 0.92 @ 277V
	Max Input Current	1.00A @ 120V 0.44A @ 277V
	Max Output Power	96W
	Max Output Current	4.0A
	Output Voltage	24V DC
	Total Harmonic Distortion	< 20%*
	Start Up Time	< 0.5S*
	Minimum Load	10%
	Dimming (DALI)	0.1% - 100%
RATING	Environment	Damp IP44
	Compliance	UL 8750
	Ambient Operating Temperature Range	-20 to 50°C
DIMENSIONS	Length A	15.00"
	Width B	6.62"
	Height C	4.56"
Net. Weight		13 lbs

*At max load

General Wiring Diagram



Dimensions



Ordering Code

