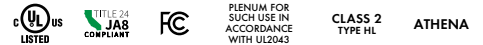


**Features**

- Constant voltage output
- Input Voltage 120-277VAC
- Flicker-free dimming
- Cooling by free air convection
- Full protection metal case
- Auto reset breakers, from short circuit, overloading, & over temperature
- Suitable for Dry locations
- 5 year Warranty
- Factory Installed Lutron Athena Wireless Node - simplifying set up time, enabling straightforward programming via the Lutron Designer software Application
- Digital wireless control communication for a dynamic lighting control system for smart buildings and human-centric experiences
- Must be connected to Lutron Athena Control System
- Standard Warm Dim Curve (with Tunable White LED)

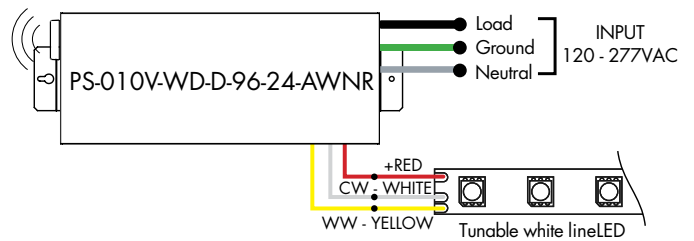


**Technical Information**

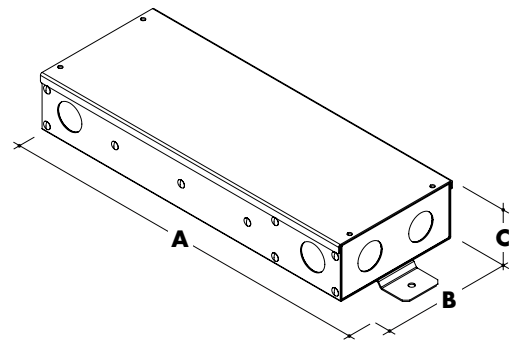
| MODEL             |                                     | PS-010V-WD-D-96-24-AWNR      |
|-------------------|-------------------------------------|------------------------------|
| <b>ELECTRICAL</b> | Voltage/ Frequency                  | 120-277V AC @ 50/60Hz        |
|                   | Inrush Current                      | 100A @ 277V                  |
|                   | Power Factor                        | > 0.94 @ 120~277V*           |
|                   | Efficiency                          | 0.90 @ 120V<br>0.92 @ 277V   |
|                   | Max Input Current                   | 1.00A @ 120V<br>0.44A @ 277V |
|                   | Max Output Power                    | 96W                          |
|                   | Max Output Current                  | 4.0A                         |
|                   | Output Voltage                      | 24V DC                       |
|                   | Total Harmonic Distortion           | < 20%*                       |
|                   | Start Up Time                       | < 0.5S*                      |
|                   | Minimum Load                        | 10%                          |
|                   | Dimming (Athena)                    | 0% - 100%                    |
| <b>RATING</b>     | Environment                         | Dry IP20                     |
|                   | Compliance                          | UL 8750                      |
|                   | Ambient Operating Temperature Range | - 20 to 40°C                 |
| <b>DIMENSIONS</b> | Length A                            | 14.40"                       |
|                   | Width B                             | 5.20"                        |
|                   | Height C                            | 2.60"                        |
| Net. Weight       |                                     | 3.8 lbs                      |

\*At max load

**General Wiring Diagram**



**Dimensions**



**Ordering Code**

| MODEL                         | INPUT CONTROL   | ENVIRONMENT | WATTAGE   | OUTPUT      | FEATURE       |
|-------------------------------|---|-------------|-----------|-------------|---------------|
| PS - Power Supply, 120-277VAC | 010V-WD - 0-10V Dimming, Standard Warm Dim Curve (with Dynamic White LED) | D - Dry     | 96 - 96 W | 24 - 24 VDC | AWNR - Athena |