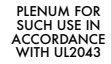




Features

- Class 2
- 0-10V controlled LED Driver
- Features EldoLED's LINEARdrive
- Suitable For Damp Location
- 5 year Warranty

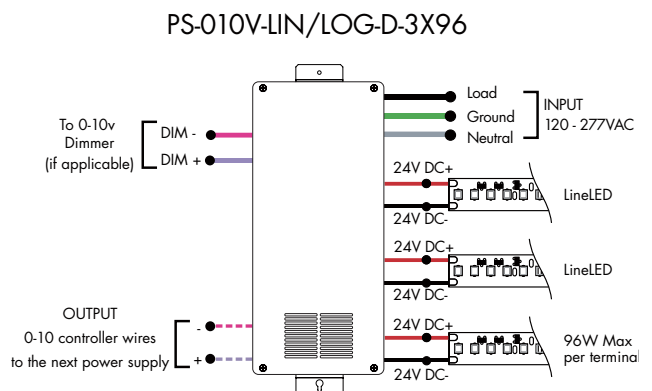


Technical Information

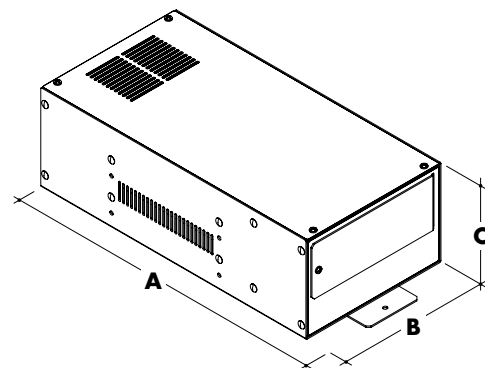
MODEL		PS-010V-LIN/LOG-D-3X96-24
ELECTRICAL	Voltage/Frequency	120-277V AC @ 50/60Hz
	Inrush Current	100A @ 277V
	Power Factor	> 0.94 @ 120~277V*
	Efficiency	0.90 @ 120V 0.92 @ 277V
	Max Input Current	1.00A @ 120V 0.44A @ 277V
	Max Output Power	96W
	Max Output Current	4.0A
	Output Voltage	24V DC
	Total Harmonic Distortion	< 20%*
	Start Up Time	< 0.5S*
	Minimum Load	10%
	Dimming (0-10V)	0.1% - 100% LIN/LOG
	0-10V Current Draw	3 x 2mA
RATING	Environment	Damp IP44
	Compliance	UL 8750
	Ambient Operating Temperature Range	-20 to 50°C
DIMENSIONS	Length A	15.00"
	Width B	6.62"
	Height C	4.45"
Net. Weight		12.9 lbs

*At max load

General Wiring Diagram



Dimensions



Ordering Code

MODEL	INPUT CONTROL	ENVIRONMENT	WATTAGE	OUTPUT	OUTPUT CONTROL
PS - Power Supply, 120-277VAC	010V-LIN-0-10V Dimming (0.1%), Linear 010V-LOG-0-10V Dimming (0.1%), Logarithmic	D-Dry	3X96 - 3X96 Watts	24-24 VDC	PWM-Pulse Width Modulation