

# 0-10V LED Driver 96 watt - Installation Instructions

Models PS-010V-LIN-D-96-24 & PS-010V-LOG-D-96-24

**Please read all instructions prior to installation and keep for future reference!**

This LED Driver is to be installed in accordance with Article 450 of the National Electrical Code. The LED Driver must be installed in a well ventilated area and free from explosive gases and vapors. Proper operation requires the free flow of air as this LED Driver is hardwired, it should only be installed by a qualified electrician. Suitable For Damp Location.

PLENUM FOR SUCH USE IN ACCORDANCE WITH UL2043



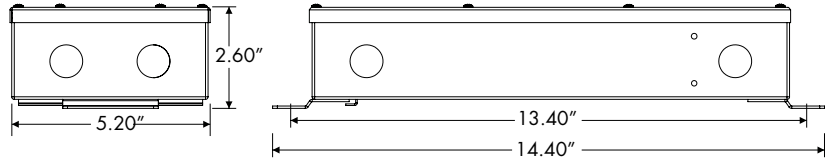
REVO.2  
09192024



7777 Merrimac Ave  
Niles, IL 60714  
T 224.333.6033  
F 224.757.7557  
info@luminii.com  
www.luminii.com

1 / 2

Input	120 - 277 V AC, 1.1 A, 50/60 Hz
Output	24 V DC, 4.0 A
Max. Wattage	96 W



**1**

Before installing, check the label and ensure the LED Driver has the proper input voltage, output voltage, and wattage for the job. Check the wire markings to ensure they match the wiring diagram below. Refer to table above for the maximum loads!

**1.1** LED Driver can be mounted vertically or horizontally. With a minimum of 3" clearance around LED Driver to provide proper air circulation.

**2**

**2.1** Remove the cover from top of the driver housing to expose the driver wires. Screws for cover will be found inside the housing.

**3**

**3.1** Insert the 120-277V AC power into the driver housing from the electrical panel. Followed by bringing 24V DC low voltage conduit one for the LED & other for controller wires. Refer to diagram on page 2 to make all the proper wiring connections.

# 0-10V LED Driver 96 watt - Installation Instructions

Models PS-010V-LIN-D-96-24 & PS-010V-LOG-D-96-24

Please read all instructions prior to installation and keep for future reference!

This LED Driver is to be installed in accordance with Article 450 of the National Electrical Code. The LED Driver must be installed in a well ventilated area and free from explosive gases and vapors. Proper operation requires the free flow of air as this LED Driver is hardwired, it should only be installed by a qualified electrician. Suitable For Damp Location.

PLENUM FOR SUCH USE IN ACCORDANCE WITH UL2043



REVO.2  
09192024

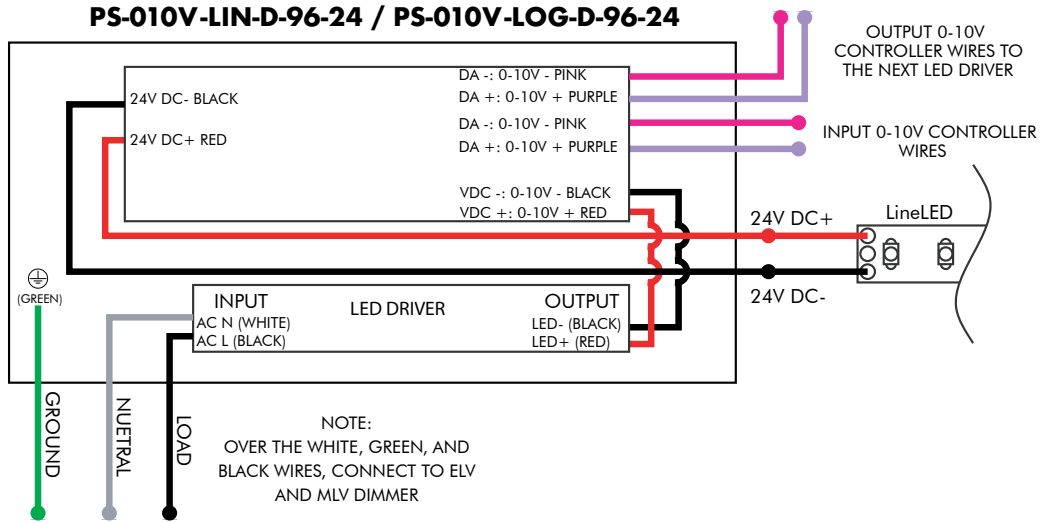
2 / 2



7777 Merrimac Ave  
Niles, IL 60714  
T 224.333.6033  
F 224.757.7557  
info@luminii.com  
www.luminii.com

## WIRING DIAGRAM

### PS-010V-LIN-D-96-24 / PS-010V-LOG-D-96-24



## 4

**4.1** Insert the wire nut connections in the driver housing, close housing cover, and secure using the eight screws.

