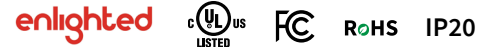


**Features**

- Constant voltage output
- Input Voltage 120-277VAC
- Compatible with Triac, MLV, ELV, 0-10V, & PWM Dimmers
- Flicker-free dimming
- Cooling by free air convection
- Full protection metal case
- Auto reset breakers, from short circuit, overloading, & over temperature
- Suitable for Dry locations
- 5 year Warranty

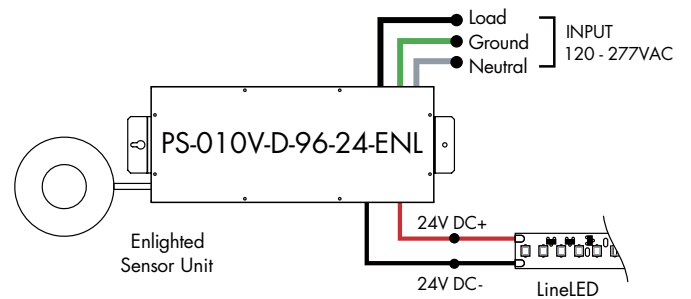


**Technical Information**

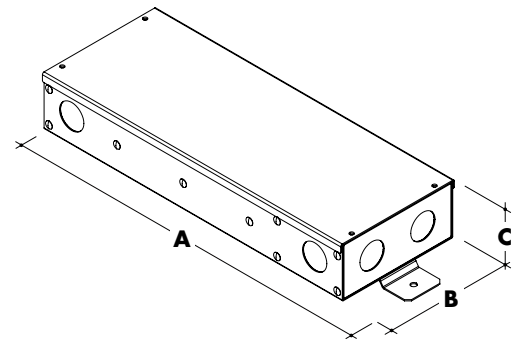
MODEL		PS-010V-D-96-24-ENL		
<b>ELECTRICAL</b>	Voltage/ Frequency	120 - 277V AC @ 50/60Hz		
	Inrush Current	< 40A @ 230V		
	Power Factor	> 0.95 @ 220V*		
	Efficiency	0.90 @ 220V*		
	Max Input Current	1.2A @ 120V		
	Max Output Power	96W		
	Max Output Current	4.0A		
	Output Voltage	24V DC		
	Total Harmonic Distortion	< 12%*		
	Start Up Time	< 1S*		
	Minimum Load	60%		
	Dimming	Enlighted		
	0-10V Current Draw	2mA		
<b>RATING</b>	Environment	Dry IP20		
	Compliance	UL 8750		
	Ambient Operating Temperature Range	LTF	- 30 to 60°C	
		ENL	- 40 to 85°C	
<b>DIMENSIONS</b>	Length	A	14.40"	
	Width	B	5.20"	
	Height	C	2.60"	
Net. Weight		3.8 lbs		

\*At max load

**General Wiring Diagram**



**Dimensions**



**Ordering Code**

MODEL	INPUT CONTROL	ENVIRONMENT	WATTAGE	OUTPUT	OUTPUT CONTROL	OUTPUT CONTROL
PS - Power Supply, 120-277VAC	010V-0-10V Dimming (1%)	D - Dry	96-96 Watts	24 - 24 VDC	PWM-Pulse Width Modulation	ENL-0-10V Enlighted