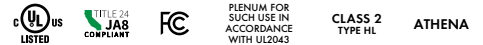


Features

- Constant voltage output
- Input Voltage 120-277VAC
- Flicker-free dimming
- Cooling by free air convection
- Full protection metal case
- Auto reset breakers, from short circuit, overloading, & over temperature
- Suitable for Dry locations
- 5 year Warranty
- Factory Installed Lutron Athena Wireless Node - simplifying set up time, enabling straightforward programming via the Lutron Designer software Application
- Digital wireless control communication for a dynamic lighting control system for smart buildings and human-centric experiences
- Must be connected to Lutron Athena Control System
- Two Channel Control, LED1 Brightness and LED2 Brightness

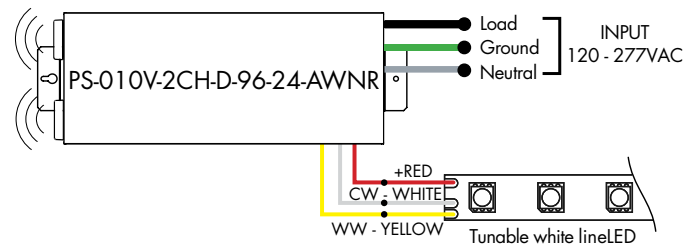
Technical Information



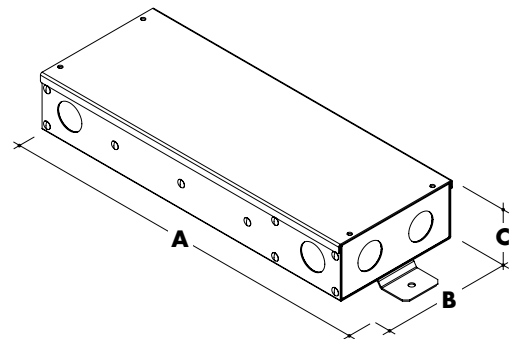
MODEL		PS-010V-2CH-D-96-24-AWNR
ELECTRICAL	Voltage/Frequency	120-277V AC @ 50/60Hz
	Inrush Current	100A @ 277V
	Power Factor	> 0.94 @ 120~277V*
	Efficiency	0.90 @ 120V 0.92 @ 277V
	Max Input Current	1.00A @ 120V 0.44A @ 277V
	Max Output Power	96W
	Max Output Current	4.0A
	Output Voltage	24V DC
	Total Harmonic Distortion	< 20%*
	Start Up Time	< 0.5S*
	Minimum Load	10%
	Dimming (Athena)	0% - 100%
	0-10V Current Draw	1.5mA
RATING	Environment	Dry IP20
	Compliance	UL 8750
	Ambient Operating Temperature Range	-20 to 40°C
DIMENSIONS	Length A	14.40"
	Width B	5.20"
	Height C	2.60"
Net. Weight		3.8 lbs

*At max load

General Wiring Diagram



Dimensions



Ordering Code

MODEL	INPUT CONTROL	ENVIRONMENT	WATTAGE	OUTPUT	FEATURE
PS - Power Supply, 120-277VAC	010V-2CH - 0-10V Dimming Two Channel Control, LED1 Brightness and LED2 Brightness	D - Dry	96 - 96 W	24 - 24 VDC	AWNR - Athena