

instruction manual

Pico Jack & Minipoint System

Pico Jack is a small modular display 95 CRI LED luminaire offering 360° bearing aided rotation and 180° tilt that uses the Precision Lighting Minipoint system.

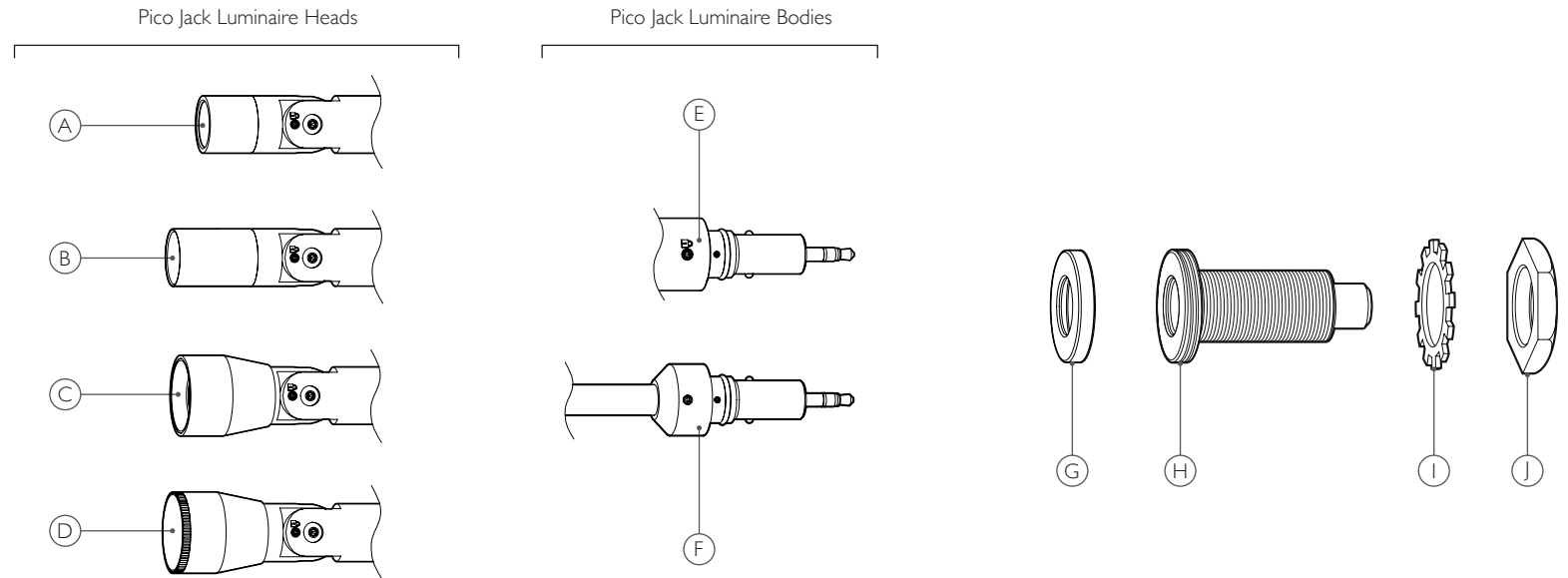
Pico Jack	2.2W	180lm
Pico Long Snoot Jack	2.2W	180lm
Pico Zoom Jack	2.2W	180lm
Pico Plus Jack	2.2W	180lm
Pico S Jack	2.2W	180lm
Pico Long Snoot S Jack	2.2W	180lm
Pico Zoom S Jack	2.2W	180lm
Pico Plus S Jack	2.2W	180lm

These instructions cover procedures for all versions of Pico Jack fixtures including:

- Pico Jack
- Pico S Jack
- Pico Long Snoot Jack
- Pico Long Snoot S Jack
- Pico Zoom Jack
- Pico Zoom S Jack
- Pico Plus Jack
- Pico S Plus Jack

KEY PRODUCT FEATURES

A	Pico luminaire head	E	Standard Jack luminaire body	I	Lock Washer
B	Pico Long Snoot luminaire head	F	Stem (S) Jack luminaire body	J	Nut
C	Pico Zoom luminaire head	G	Decorative Cover		
D	Pico Plus luminaire head	H	Minipoint		



IMPORTANT SAFETY INFORMATION

READ ALL INSTRUCTIONS BEFORE USING THESE PRODUCTS. SAVE THESE INSTRUCTIONS FOR LATER REFERENCE.

1. Mains supply to driver must be OFF before connecting or disconnecting the fittings.
2. All systems must be installed by a suitably qualified professional only. Installations must conform to national installation, accident prevention regulations.
3. Do not install any fixture closer than 150mm (6 inches) from any combustible material. Do not install these systems in a damp or wet location.
4. To reduce the risk of fire and burns, do not install these systems where exposed bare conductors can be shorted or contact any conductive materials. Do not conceal or extend exposed conductors through a building wall.
5. Install only as described in this Precision Lighting manual. Appropriate fixings will need to be used depending on surface material at the installer's discretion.
6. Ensure all connections are tight. Bad connections can cause overheating, arcing and potential fire risk.
7. Wire supply connections must be made with U.L. or compatible testing agency-approved connectors.
8. Luminaires may be hot, allow to cool before touching.
9. Regular cleaning of these products is important. Switch off at mains supply and allow to cool before touching. Clean fittings with a microfibre cloth. Then reconnect the power supply.
10. Always use appropriate optics and ensure they are fitted securely. Use only Precision Lighting recommended accessories.
11. These are constant current fixtures. For use only with an appropriate 700mA LED driver as recommended by Precision Lighting

1. Installation

WARNING switch off power to mains before installation.

Cut hole $\varnothing 18\text{mm}$ (3/4 of an inch).

Feed mains cable through hole and insert Minipoint into hole.

Note: You will need **rear access** to minipoint in order to secure it into place.

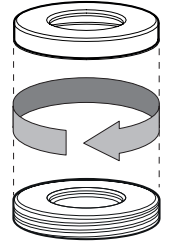
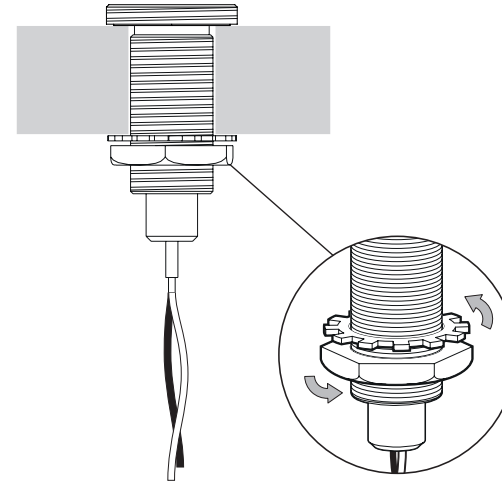
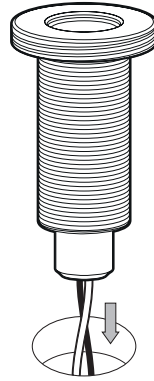
Put on lock washer and then screw on M17 nut onto back of minipoint. Fasten tightly to secure minipoint in place.

Screw on decorative cover with desired finish on to top of minipoint.

1.



M17 Fixing



2. Inserting Pico Jack into Minipoint

WARNING switch off power to mains before installation.

WARNING Do not hot plug!

Insert Pico jack luminaire into the minipoint ensuring to line up pins with the internal grooves.

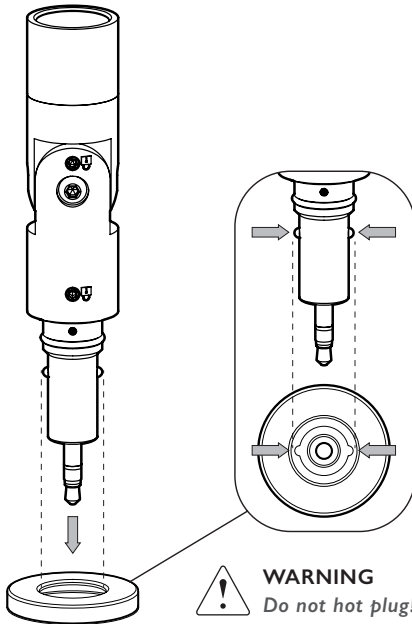
Keep applying pressure until you hear a soft click and the O ring is no longer visible.

3. Locking Pan & Tilt

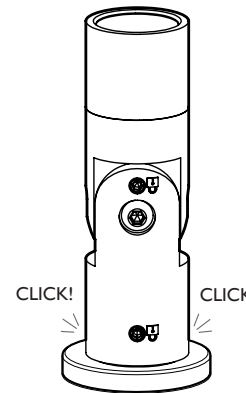
NOTE Only adjust luminaire position when unlocked.

Adjust luminaire to desired position. To lock into place, insert 2mm hex key provided into pan and tilt holes then rotate hex key clockwise.

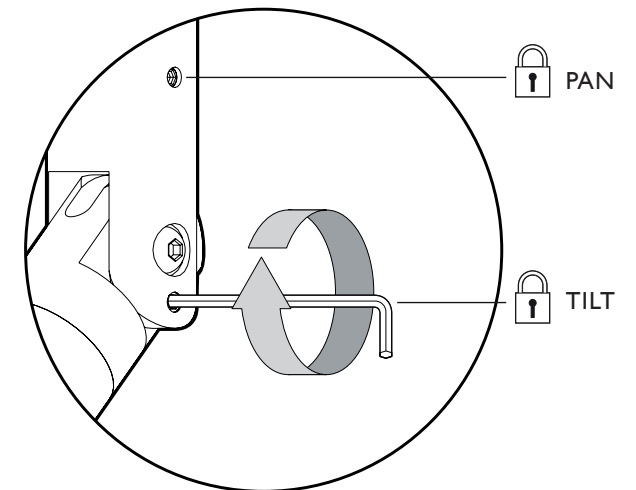
2.



WARNING
Do not hot plug!



3.



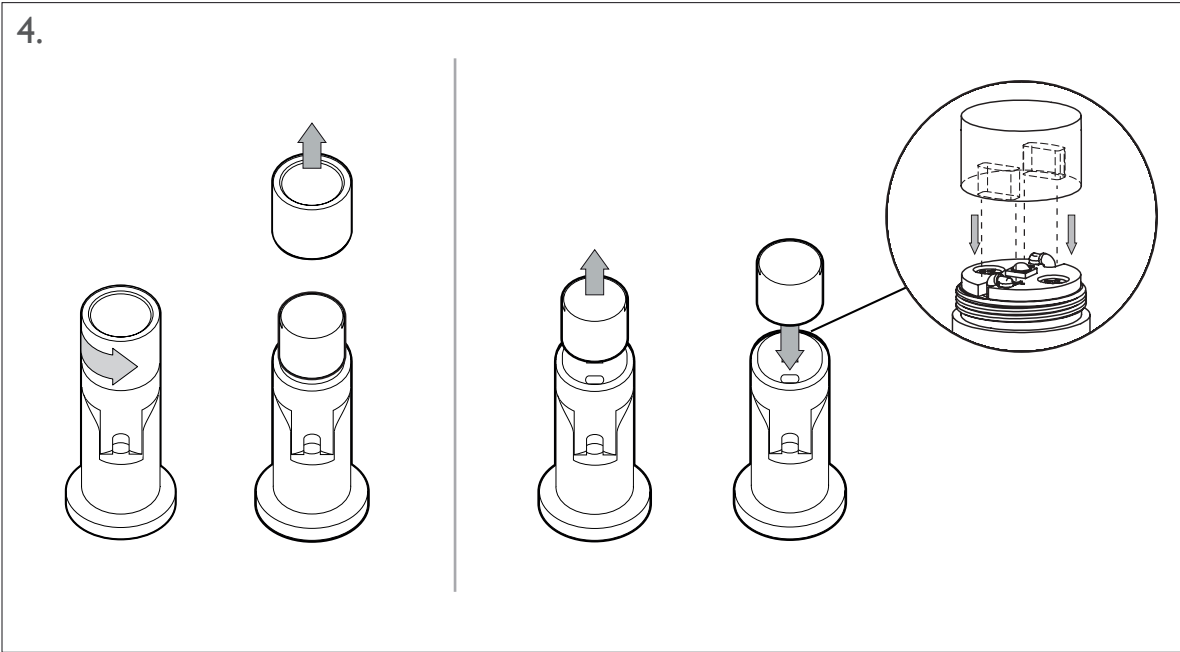
4. Snoot Removal and Changing the Optic

WARNING switch off power to mains before installation.

To remove snoot, rotate snoot anti-clockwise and lift off.

Once snoot has been removed, the optic can be changed. Remove optic from PCB.

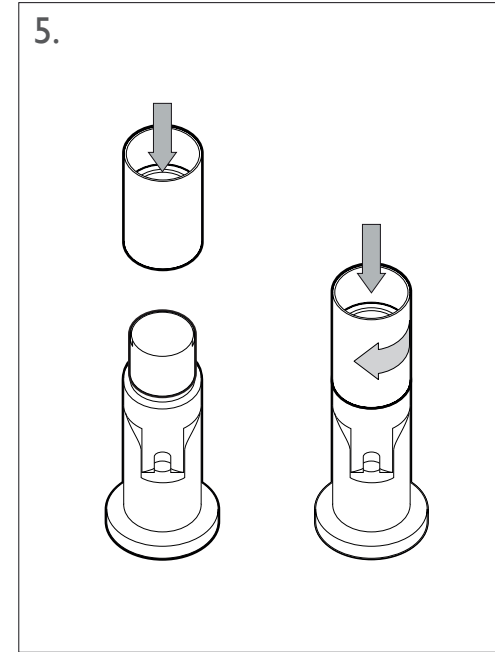
To install new optic, align the slots with the solder pads on PCB and set into place. Then place snoot over optic and rotate clockwise to securely fix to luminaire body. There should be no gap between the snoot and the luminaire body.



5. Changing the Snoot

To remove snoot, rotate snoot anti-clockwise and lift off.

Place new snoot over optic and rotate clockwise to securely fix to luminaire body. There should be no gap between the snoot and the luminaire body.



6. Electrical Installation

WARNING switch off power to mains before installation.

Note: Due to small Minipoint size, drivers must be located remotely; cut out is too small for dimmable drivers to pass through.

See electrical instructions for wiring schematic. Ensure circuit is **wired in series**. Please **only use** the following compatible drivers listed below:

- Eldoled 700mA Constant Current **20W** 0-10V (PSCC-20-700-A-EL)
- Eldoled 700mA Constant Current **30W** 0-10V (PSCC-30-700-A-EL)
- Eldoled 700mA Constant Current **20W** DALI (PSCC-20-700-D-EL)
- Eldoled 700mA Constant Current **30W** DALI (PSCC-30-700-D-EL)

Note: Do not install more than 10 Minipoints in one series circuit. It would exceed its rated voltage limit.

