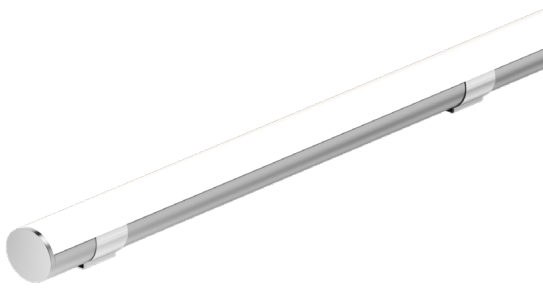
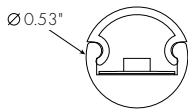


**Features**



- 24VDC Class 2 fixtures made to order up to 144". Fixtures can be linked up to 48' depending on output
- Suitable for undercabinet, millwork, direct view, grazer, vanity, architectural reveals, accent lighting and surface mount applications
- Approved for closet/storage space installation per NEC 410.16(A) (3) and 410.16(C)(5) on outputs 5.7W/ft or less
- Dot free even illumination with round frosted lens
- Class 2 listed for damp locations
- High Color Quality options offer premium quality and vibrant colors with R9 values up to 97
- High Efficacy options offer best in class output and efficacy with over 300 lm/ft and up to 54 lm/W
- Proprietary strong bond solder method handles up to 50 lbs of pull force on wire leads and connectors
- Average Life (L70): 50,000hrs
- 7 Year warranty



**Finish Options (see page 3 for additional information)**

- Base  Silver Anodized
- Powder Coat  Black  Bronze  White
- Premium  Matte Black  Warm Nickel  Aged Brass  Polished Gold  Chrome



**Technical Information**

TYPE	High Color Quality			High Efficacy			
	72SO	72HO	72VHO	HE48LO	HE48SO	HE48MO	HE48HO
<b>OUTPUT OPTIONS</b>							
Lumens Output (3000K) (with a Round Frosted Lens)	106 lm/ft	172 lm/ft	308 lm/ft	103 lm/ft	143 lm/ft	190 lm/ft	305 lm/ft
Average Power Consumption (for a 4' section)	2.8 W/ft	4.8 W/ft	6 W/ft	1.9 W/ft	2.8 W/ft	3.5 W/ft	6.5 W/ft
Efficacy	38 lm/W	36 lm/W	51 lm/W	54 lm/W	51 lm/W	54 lm/W	47 lm/W
Max Run Length (in series)	40 ft	31 ft	22 ft	48 ft	42 ft	33 ft	21 ft
Ambient Operating Temperature Range*	-5°F - 125°F (-20°C - 50°C)		-5°F - 115°F (-20°C - 45°C)	-5°F - 125°F (-20°C - 50°C)		-5°F - 115°F (-20°C - 45°C)	

\*Ambient Operating Temperature Range to maintain L70 of 50k+ hours in normal mounting conditions for the fixture. Exceeding Ambient Operating Temperature Range may result in decreased life/output. Consult Technical Support for specific inquiries.

**High Color Quality (72)**

CCT	Multiplier (reference - 3000K)	CRI	TM-30		
			R <sub>f</sub>	R <sub>g</sub>	R <sub>9</sub>
1900K	0.55	96	94	97	90
2200K	0.70	96	95	101	89
2400K	0.72	98	97	101	91
2700K	0.74	97	96	101	91
3000K	1.00	97	95	104	97
3500K	1.02	97	94	105	97
4100K	1.07	97	90	99	97

**High Efficacy (HE48/HE64)**

CCT	Multiplier (reference - 3000K)	CRI	TM-30		
			R <sub>f</sub>	R <sub>g</sub>	R <sub>9</sub>
2200K	0.73	92	91	97	42
2500K	0.81	93	96	96	62
2700K	0.94	92	90	99	58
3000K	1.00	92	89	99	57
3500K	1.02	92	89	99	60
4000K	1.02	92	86	94	71

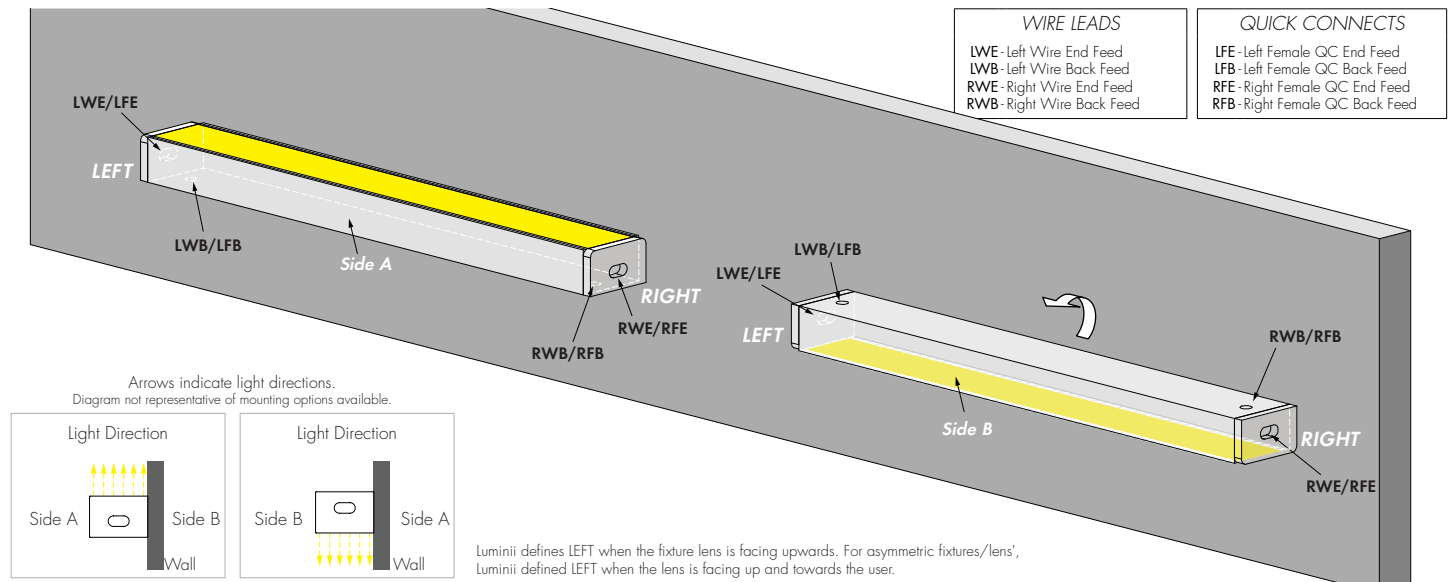
**Ordering Code**

MODEL	LENGTH <sup>1</sup>	OUTPUT <sup>2</sup>	CCT	LENS	MOUNTING	FINISH <sup>3</sup>	FEED POSITION LEFT <sup>5</sup>	FEED POSITION RIGHT <sup>5</sup>
MKRO - Myka Round	12"-144" 1" increments	72SO - Standard 72HO - High 72VHO - Very High	19K - 1900K 22K - 2200K 24K - 2400K 27K - 2700K 30K - 3000K 35K - 3500K 41K - 4100K	RF - Round Frosted	FC - Fixed Clip	<b>BASE</b> SA - Silver Anodized  <b>POWDER COAT</b> BK - Black BZ - Bronze WH - White  <b>PREMIUM</b> MBK - Matte Black WN - Warm Nickel AB - Aged Brass PG - Polished Gold <sup>4</sup> CH - Chrome <sup>4</sup>	<b>WIRE LEADS (72")</b> LWE - Wire End Feed LWB - Wire Back Feed LNPF - No Power Feed	<b>WIRE LEADS (72")</b> RWE - Wire End Feed RWB - Wire Back Feed RNPF - No Power Feed
	12"-144" 2" increments	HE48LO - Low HE48SO - Standard HE48MO - Medium HE48HO - High	22K - 2200K 25K - 2500K 27K - 2700K 30K - 3000K 35K - 3500K 40K - 4000K				<b>QUICK CONNECTS (4")</b> LFE - Female Q/C, End Feed LFB - Female Q/C, Back Feed LNPF - No Power Feed	<b>QUICK CONNECTS (4")</b> RFE - Female Q/C, End Feed RFB - Female Q/C, Back Feed RNPF - No Power Feed

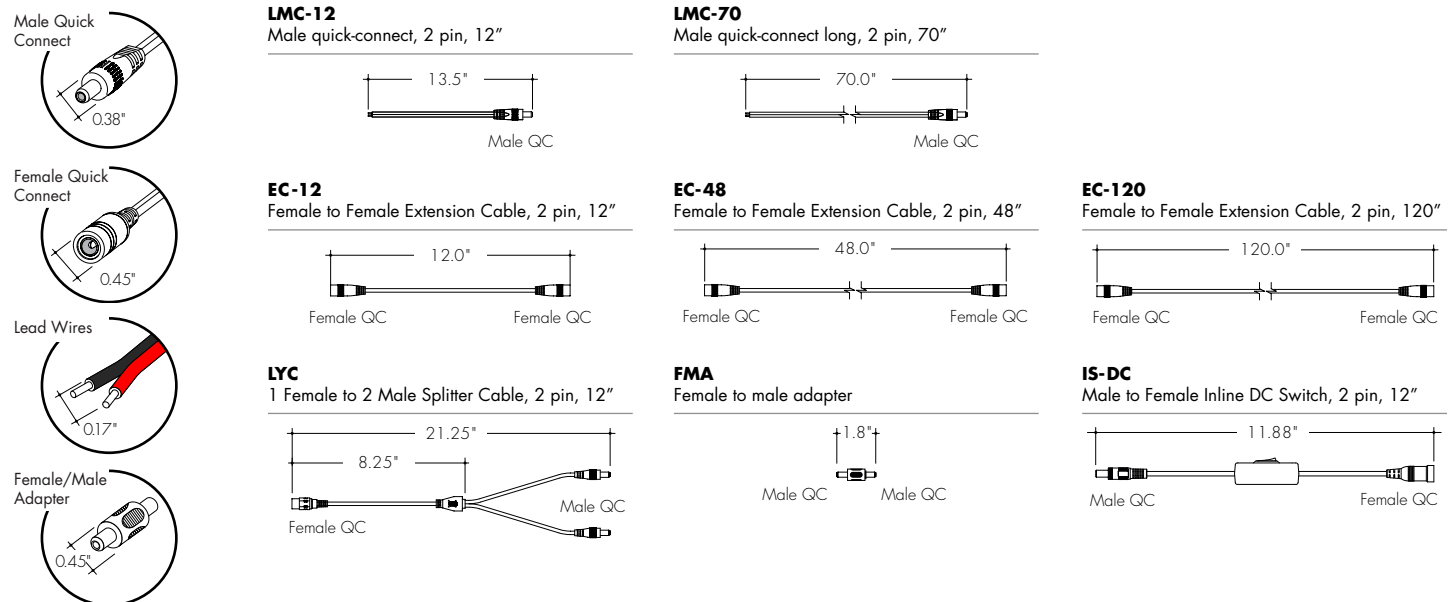
1 - Custom lengths and increments are available, please consult Inside Sales with specific request. 2 - All High Efficacy options can be used to comply with Title 24 JAB. High Color Quality options can be used to comply with Title 24 JAB depending on Output, CCT, and lens selections. See multiplier charts to calculate specific efficacies. 3 - Non Base finishes may have extended lead times and price adders. Custom RALs are available, contact Inside Sales with specific request. 4 - Polished Gold, and Chrome finishes have a maximum fixture length of 96". 5 - LNPF - RNPF is not a valid configuration option

**Powerfeeds and Connectors**

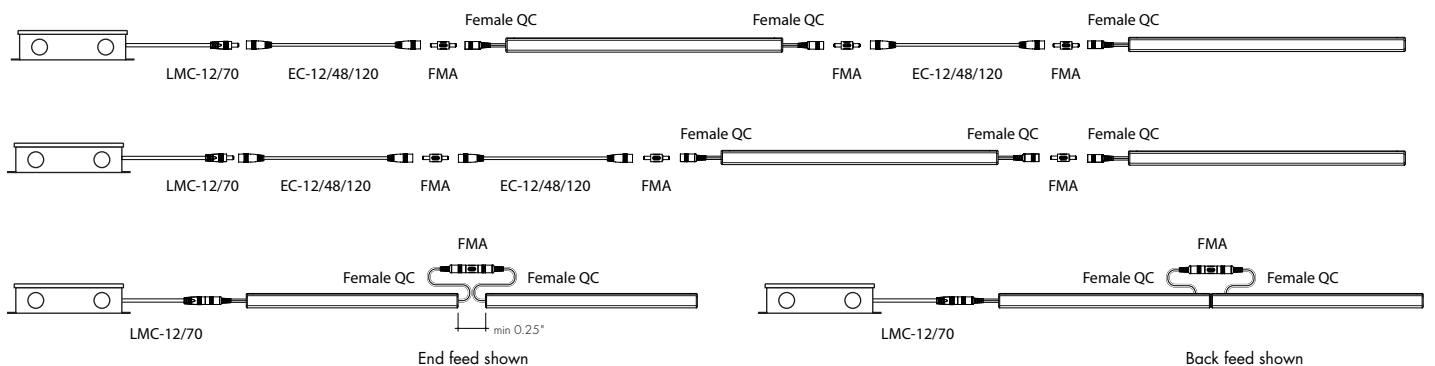
**Power Feed Position Options and Orientation**



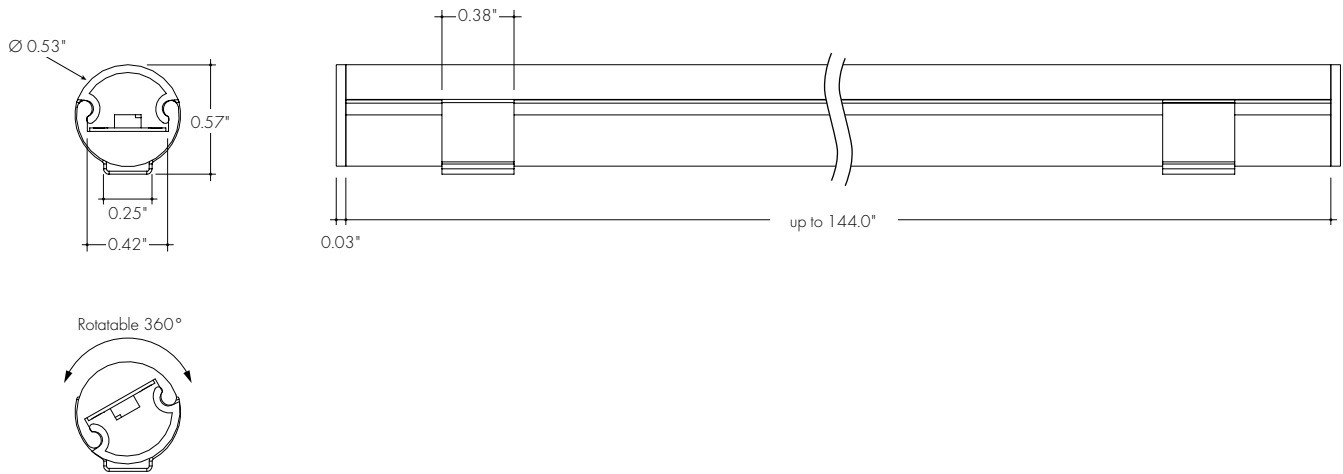
**Linking and Extension Cable Options**



**Sample Layout**



**Product Dimensions**



**Finish Options**

- Finish options are available in a wide variety, allowing for complete customization of style and aesthetic.
- Non Base finishes may have extended lead times and price adder.
- Polished Gold and Chrome finishes has a maximum fixture length of 96".
- Custom RALs are available, please consult Inside Sales with specific request.

**Silver Anodized Base**



Silver Anodized is a soft silver with a clear finish.

**Black Powder Coat**



Black is a true deep black with a glossy finish.

**Bronze Powder Coat**



Bronze is a rich, dark brown with a satin finish.

**White Powder Coat**



White is a polar bright white and field paintable.

**Matte Black Premium**



Matte Black is a dark, pitch-black with a soft flat finish.

**Warm Nickel Premium**



Warm Nickel is a soft, silvery smoke with warm tones and a satin finish.

**Aged Brass Premium**



Aged Brass is a deep brown shade with slightly golden undertones.

**Polished Gold Premium**



Polished Gold is bright and radiant for a brilliant finish.

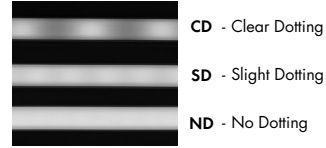
**Chrome Premium**



Chrome is a highly reflective silver polish.

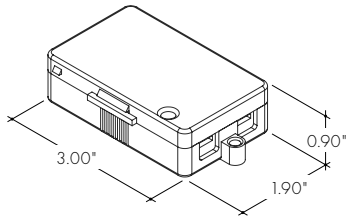
Light Transmission and Dotting

Output Options	Lens/Accessory			
	Round Frosted Lens			
Dimming Level	100%	50%	10%	1%
72SO	ND	ND	ND	ND
72HO	ND	ND	ND	ND
72VHO	ND	ND	ND	ND
HE48LO	ND	ND	ND	ND
HE48SO	ND	ND	ND	ND
HE48MO	ND	ND	ND	ND
HE48HO	ND	ND	ND	ND

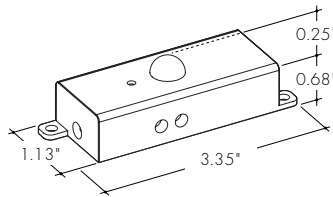


Accessory Options

**LVSP-4T-BK**  
Low Voltage, 4 Terminal Splice Box, Black

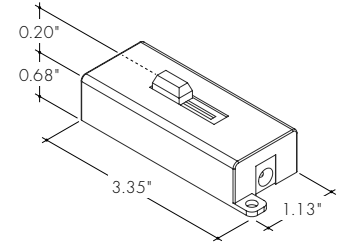


**O5-DC-F4-BK**  
Occupancy Sensor



Male Quick Connect, FMA, ILC, LYC, or IS-DC are required for input and output.

**DIM-DC-F4-BK**  
24VDC Low Voltage In-line Dimmer Module

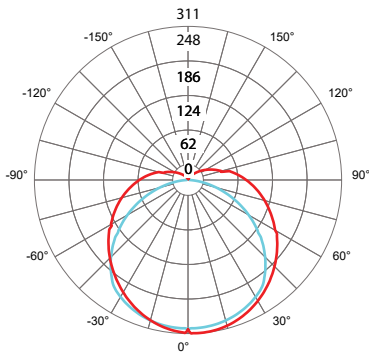


Male Quick Connect, FMA, ILC, LYC, or IS-DC are required for input and output.

Photometry

MKRO-48-72VHO-30K-RF

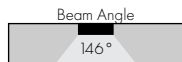
Myka Round, 4ft, 72VHO, 3000K, Round Frosted Lens



Zonal Lumen Summary 3000K

Zone	Lumen	% Fixture
0-30	235	19.1%
0-40	393	32.0%
0-60	735	59.7%
0-90	1088	88.4%
0-180	1231	100%

Total



**Power Consumption**

Tested at Full Power with PS-UNI Series power supplies.

\*For Back Feed add 4/16" (1/4") to Actual Length. Standard Nominal Lengths offered provide minimal shadowing. For alternate lengths, please consult Inside Sales with specific request.

**High Color Quality (72)**

Nominal Length (in)	End and Back Feed Actual Length*	Watts			Nominal Length (in)	End and Back Feed Actual Length*	Watts			Nominal Length (in)	End and Back Feed Actual Length*	Watts			Nominal Length (in)	End and Back Feed Actual Length*	Watts		
		SO	HO	VHO			SO	HO	VHO			SO	HO	VHO					
12	11	2.7	4.4	6.2	47	46 14/16	10.5	17.4	23.1	82	81 10/16	18.3	29.5	38.4	117	116 6/16	25.9	40.8	52.4
13	12 2/16	2.7	4.4	6.2	48	-	-	-	-	83	82 12/16	18.5	29.8	38.8	118	117 8/16	26.1	41.1	52.8
14	13 5/16	2.9	4.8	6.7	49	48 1/16	10.7	17.8	23.5	84	83 15/16	18.7	30.1	39.2	119	118 11/16	26.3	41.4	53.2
15	14 7/16	3.1	5.2	7.3	50	49 3/16	11.1	18.6	24.4	85	-	-	-	-	120	119 13/16	26.5	41.7	53.6
16	15 10/16	3.4	5.6	7.8	51	50 6/16	11.4	18.9	24.9	86	85 1/16	19.2	30.8	40.0	121	121	26.7	42.0	54.0
17	16 12/16	3.6	6.0	8.3	52	51 8/16	11.6	19.3	25.3	87	86 4/16	19.4	31.1	40.4	122	-	-	-	-
18	17 15/16	3.9	6.5	8.9	53	52 11/16	11.9	19.7	25.7	88	87 6/16	19.6	31.5	40.8	123	122 2/16	27.1	42.6	54.7
19	-	-	-	-	54	53 13/16	12.1	20.1	26.1	89	88 9/16	19.9	31.8	41.1	124	123 5/16	27.3	42.9	55.0
20	19 1/16	4.4	7.3	9.9	55	55	12.3	20.5	26.6	90	89 12/16	20.1	32.2	41.5	125	124 7/16	27.5	43.1	55.4
21	20 4/16	4.6	7.7	10.5	56	-	-	-	-	91	90 14/16	20.4	32.5	41.9	126	125 10/16	27.7	43.4	55.7
22	21 6/16	4.8	8.1	11.0	57	56 2/16	12.8	21.3	27.4	92	-	-	-	-	127	126 12/16	27.9	43.7	56.1
23	22 9/16	5.1	8.6	11.5	58	57 5/16	13.1	21.6	27.8	93	92 1/16	20.6	32.9	42.3	128	127 15/16	28.1	43.9	56.4
24	23 12/16	5.3	9.0	12.1	59	58 7/16	13.3	22.0	28.3	94	93 3/16	21.1	33.6	43.1	129	-	-	-	-
25	24 14/16	5.6	9.4	12.6	60	59 10/16	13.6	22.4	28.7	95	94 6/16	21.3	33.9	43.4	130	129 1/16	28.5	44.5	57.1
26	-	-	-	-	61	60 12/16	13.8	22.8	29.1	96	95 8/16	21.5	34.2	43.8	131	130 4/16	28.7	44.7	57.4
27	26 1/16	5.8	9.8	13.1	62	61 15/16	14.0	23.1	29.6	97	96 11/16	21.8	34.6	44.2	132	131 7/16	28.9	45.0	57.8
28	27 3/16	6.2	10.5	14.1	63	-	-	-	-	98	97 13/16	22.0	34.9	44.6	133	132 9/16	29.1	45.3	58.1
29	28 6/16	6.5	10.9	14.5	64	63 1/16	14.5	23.8	30.5	99	99	22.2	35.2	45.0	134	133 12/16	29.3	45.5	58.4
30	29 8/16	6.7	11.2	15.0	65	64 4/16	14.7	24.1	31.0	100	-	-	-	-	135	134 14/16	29.5	45.7	58.7
31	30 11/16	6.9	11.6	15.5	66	65 6/16	14.9	24.4	31.4	101	100 2/16	22.5	35.9	45.9	136	-	-	-	-
32	31 13/16	7.1	12.0	16.0	67	66 9/16	15.1	24.7	31.9	102	101 5/16	22.7	36.2	46.3	137	136 1/16	29.6	45.9	59.1
33	33	7.3	12.3	16.5	68	67 12/16	15.3	25.0	32.4	103	102 7/16	22.9	36.5	46.7	138	137 3/16	30.0	46.3	59.7
34	-	-	-	-	69	68 14/16	15.5	25.4	32.8	104	103 10/16	23.1	36.8	47.1	139	138 6/16	30.2	46.5	60.0
35	34 2/16	7.8	13.1	17.4	70	-	-	-	-	105	104 12/16	23.3	37.1	47.5	140	139 8/16	30.3	46.8	60.3
36	35 5/16	8.0	13.4	17.9	71	70 1/16	15.8	25.7	33.3	106	105 15/16	23.5	37.4	48.0	141	140 11/16	30.5	47.0	60.6
37	36 7/16	8.2	13.8	18.4	72	71 3/16	16.2	26.3	34.2	107	-	-	-	-	142	141 13/16	30.7	47.2	61.0
38	37 10/16	8.4	14.2	18.9	73	72 6/16	16.4	26.6	34.7	108	107 1/16	23.9	38.1	48.8	143	143	30.8	47.4	61.3
39	38 12/16	8.7	14.5	19.3	74	73 8/16	16.6	26.9	35.1	109	108 4/16	24.1	38.4	49.2	144	-	-	-	-
40	39 15/16	8.9	14.9	19.8	75	74 11/16	16.8	27.3	35.5	110	109 7/16	24.3	38.7	49.6					
41	-	-	-	-	76	75 13/16	17.1	27.6	35.9	111	110 9/16	24.5	39.0	50.0					
42	41 1/16	9.3	15.6	20.7	77	77	17.3	27.9	36.3	112	111 12/16	24.8	39.3	50.4					
43	42 4/16	9.6	16.0	21.2	78	-	-	-	-	113	112 14/16	25.0	39.6	50.8					
44	43 6/16	9.8	16.4	21.7	79	78 2/16	17.7	28.5	37.2	114	-	-	-	-					
45	44 9/16	10.0	16.7	22.1	80	79 5/16	17.9	28.9	37.6	115	114 1/16	25.2	39.9	51.2					
46	45 12/16	10.2	17.1	22.6	81	80 7/16	18.1	29.2	38.0	116	115 3/16	25.6	40.5	52.0					

**Power Consumption**

Tested at Full Power with PS-UNI Series power supplies.

\*For Back Feed add 4/16" (1/4") to Actual Length. Standard Nominal Lengths offered provide minimal shadowing. For alternate lengths, please consult Inside Sales with specific request.

**High Efficacy (HE48)**

Nominal Length (in)	End and Back Feed Actual Length*	Watts				Nominal Length (in)	End and Back Feed Actual Length*	Watts				Nominal Length (in)	End and Back Feed Actual Length*	Watts				Nominal Length (in)	End and Back Feed Actual Length*	Watts			
		LO	SO	MO	HO			LO	SO	MO	HO			LO	SO	MO	HO			LO	SO	MO	HO
12	10 6/16	1.7	2.5	3.5	5.7	47	-	-	-	-	82	81 4/16	12.5	19.9	23.9	42.2	117	116 11/16	17.5	27.7	34.3	58.7	
13	12 6/16	1.7	2.5	3.5	5.7	48	47 13/16	7.1	11.2	13.9	25.4	83	-	-	-	-	118	-	-	-	-	-	
14	-	-	-	-	-	49	-	-	-	-	84	83 4/16	12.8	20.3	24.5	43.1	119	118 11/16	17.8	28.1	34.9	59.6	
15	14 5/16	2.0	3.0	4.0	7.2	50	49 12/16	7.4	11.7	14.5	26.3	85	-	-	-	-	120	-	-	-	-	-	
16	-	-	-	-	-	51	-	-	-	-	86	85 3/16	13.1	20.8	25.1	44.1	121	120 10/16	18.1	28.6	35.5	60.5	
17	16 5/16	2.4	3.5	4.6	8.7	52	51 12/16	7.7	12.3	15.1	27.4	87	-	-	-	-	122	-	-	-	-	-	
18	-	-	-	-	-	53	-	-	-	-	88	87 3/16	13.4	21.3	25.7	45.0	123	122 10/16	18.3	29.0	36.0	62.1	
19	18 4/16	2.7	3.9	5.2	10.2	54	53 11/16	8.0	12.9	15.7	28.5	89	-	-	-	-	124	-	-	-	-	-	
20	-	-	-	-	-	55	-	-	-	-	90	89 2/16	13.7	21.7	26.3	46.0	125	124 9/16	18.4	29.5	36.6	63.8	
21	20 4/16	3.0	4.4	5.8	11.7	56	55 11/16	8.4	13.5	16.4	29.5	91	-	-	-	-	126	-	-	-	-	-	
22	-	-	-	-	-	57	-	-	-	-	92	91 2/16	14.0	22.1	26.9	47.0	127	126 9/16	18.6	29.9	37.2	65.4	
23	22 3/16	3.4	4.9	6.4	13.2	58	57 10/16	8.7	14.0	17.0	30.6	93	-	-	-	-	128	-	-	-	-	-	
24	-	-	-	-	-	59	-	-	-	-	94	93 1/16	14.3	22.6	27.5	47.9	129	128 8/16	18.8	30.4	37.7	67.0	
25	24 3/16	3.7	5.4	7.0	14.7	60	59 10/16	9.0	14.6	17.6	31.6	95	-	-	-	-	130	-	-	-	-	-	
26	-	-	-	-	-	61	-	-	-	-	96	95 1/16	14.4	22.8	27.8	48.4	131	130 8/16	18.9	30.8	38.3	68.6	
27	26 2/16	4.1	5.9	7.5	15.8	62	61 9/16	9.4	15.2	18.2	32.6	97	-	-	-	-	132	-	-	-	-	-	
28	-	-	-	-	-	63	-	-	-	-	98	97	14.7	23.3	28.5	49.4	133	132 7/16	19.1	31.2	38.9	70.2	
29	28 2/16	4.4	6.4	8.1	16.8	64	63 9/16	9.7	15.6	18.7	33.7	99	99	15.0	23.7	29.0	50.4	134	-	-	-	-	-
30	-	-	-	-	-	65	-	-	-	-	100	-	-	-	-	-	135	134 7/16	19.3	31.8	39.4	70.7	
31	30 1/16	4.8	6.9	8.7	17.9	66	65 8/16	10.0	16.1	19.2	34.7	101	100 15/16	15.3	24.1	29.6	51.3	136	-	-	-	-	-
32	-	-	-	-	-	67	-	-	-	-	102	-	-	-	-	-	137	136 6/16	19.5	32.3	40.0	71.2	
33	32 1/16	5.0	7.2	9.0	18.5	68	67 8/16	10.4	16.5	19.8	35.7	103	102 15/16	15.6	24.6	30.2	52.3	138	-	-	-	-	-
34	-	-	-	-	-	69	-	-	-	-	104	-	-	-	-	-	139	138 6/16	19.8	32.8	40.6	71.8	
35	34	5.4	7.7	9.6	19.5	70	69 7/16	10.7	17.0	20.3	36.7	105	104 14/16	15.8	25.0	30.7	53.2	140	-	-	-	-	-
36	36	5.7	8.2	10.2	20.6	71	-	-	-	-	106	-	-	-	-	-	141	140 5/16	20.0	33.3	41.1	72.3	
37	-	-	-	-	-	72	71 7/16	11.0	17.4	20.8	37.7	107	106 14/16	16.1	25.5	31.3	54.2	142	-	-	-	-	-
38	37 15/16	6.0	8.7	10.8	21.5	73	-	-	-	-	108	-	-	-	-	-	143	142 5/16	20.2	33.9	41.7	72.8	
39	-	-	-	-	-	74	73 6/16	11.3	17.9	21.4	38.7	109	108 13/16	16.4	25.9	31.9	55.2	144	-	-	-	-	-
40	39 15/16	6.2	9.2	11.4	22.3	75	-	-	-	-	110	-	-	-	-	-	-	-	-	-	-	-	
41	-	-	-	-	-	76	75 6/16	11.6	18.4	22.0	39.6	111	110 13/16	16.7	26.4	32.5	56.1	-	-	-	-	-	-
42	41 14/16	6.4	9.7	12.0	23.1	77	-	-	-	-	112	-	-	-	-	-	-	-	-	-	-	-	
43	-	-	-	-	-	78	77 5/16	11.9	18.9	22.7	40.5	113	112 12/16	17.0	26.8	33.1	57.0	-	-	-	-	-	-
44	43 14/16	6.7	10.2	12.6	23.9	79	-	-	-	-	114	-	-	-	-	-	-	-	-	-	-	-	
45	-	-	-	-	-	80	79 5/16	12.2	19.4	23.3	41.4	115	114 12/16	17.3	27.3	33.7	57.9	-	-	-	-	-	-
46	45 13/16	6.9	10.7	13.3	24.7	81	-	-	-	-	116	-	-	-	-	-	-	-	-	-	-	-	

### Voltage Drop Calculator

The below chart assumes nominal voltage of 24 Volts and a Voltage Drop Allowance of 3% through the wire

Wattage [W]	Maximum Wire Length From Power Supply to Start of Run [ft]						
	12 AWG	14 AWG	16 AWG	18 AWG	20 AWG	22 AWG	24 AWG
<b>5</b>	1088.2	684.4	430.3	270.6	170.2	107.1	67.3
<b>10</b>	544.1	342.2	215.1	135.3	85.1	53.5	33.7
<b>15</b>	362.7	228.1	143.4	90.2	56.7	35.7	22.4
<b>20</b>	272.0	171.1	107.6	67.7	42.6	26.8	16.8
<b>25</b>	217.6	136.9	86.1	54.1	34.0	21.4	13.5
<b>30</b>	181.4	114.1	71.7	45.1	28.4	17.8	11.2
<b>35</b>	155.5	97.8	61.5	38.7	24.3	15.3	9.6
<b>40</b>	136.0	85.5	53.8	33.8	21.3	13.4	8.4
<b>45</b>	120.9	76.0	47.8	30.1	18.9	11.9	7.5
<b>50</b>	108.8	68.4	43.0	27.1	17.0	10.7	6.7
<b>55</b>	98.9	62.2	39.1	24.6	15.5	9.7	6.1
<b>60</b>	90.7	57.0	35.9	22.6	14.2	8.9	5.6
<b>65</b>	83.7	52.6	33.1	20.8	13.1	8.2	5.2
<b>70</b>	77.7	48.9	30.7	19.3	12.2	7.6	4.8
<b>75</b>	72.5	45.6	28.7	18.0	11.3	7.1	4.5
<b>80</b>	68.0	42.8	26.9	16.9	10.6	6.7	4.2
<b>85</b>	64.0	40.3	25.3	15.9	10.0	6.3	4.0
<b>90</b>	60.5	38.0	23.9	15.0	9.5	5.9	3.7
<b>96</b>	56.7	35.6	22.4	14.1	8.9	5.6	3.5

**Power Supplies**

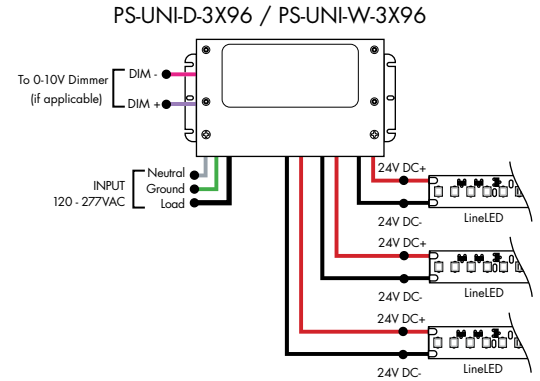
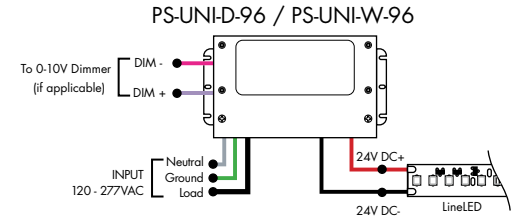
See Power Supply instructions and spec sheet for wiring information. For a complete list of compatible dimmers, see Compatible Dimming Chart on the Resources page.

**Ordering Code Universal Dimming Power Supplies 1% 120VAC - 277VAC**

MODEL	INPUT CONTROL	ENVIRONMENT	WATTAGE	OUTPUT
PS-Power Supply, 120-277VAC	UNI-0-10V Dimming, Phase Dimming	D-Dry W-Wet	30-30 Watts 60-60 Watts 96-96 Watts 3x96-3x96 Watts	24-24 VDC

Compatibility: View a complete list of compatible dimmers on product page [\(Link\)](#)

0-10V - 1% dimming  
MLV/ELV/TRIAC - 1% dimming, consult dimming compatibility chart



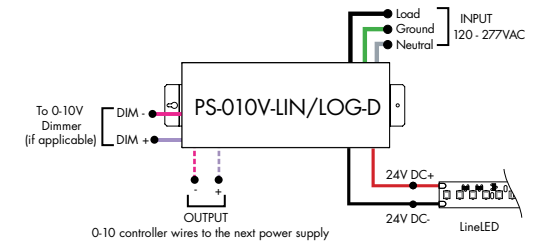
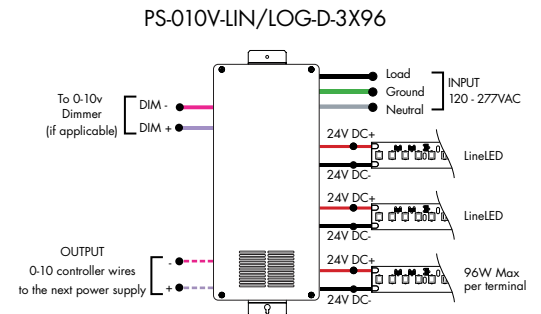
MODELS	PS-UNI-W-30W	PS-UNI-W-60W	PS-UNI-W-96W	PS-UNI-W-3X96W
<b>Length</b>	6.50"	7.40"	8.66"	11.85"
<b>Width</b>	3.73"	3.73"	3.73"	4.32"
<b>Depth</b>	1.61"	1.61"	1.61"	1.81"

MODELS	PS-UNI-D-30W	PS-UNI-D-60W	PS-UNI-D-96W	PS-UNI-D-3X96W
<b>Length</b>	8.77"	8.77"	8.11"	9.94"
<b>Width</b>	4.27"	4.27"	5.60"	7.61"
<b>Depth</b>	1.83"	1.83"	1.83"	2.02"

**Ordering Code 0-10V Dimming Power Supplies 0.1% 120VAC - 277VAC**

MODEL	INPUT CONTROL	ENVIRONMENT	WATTAGE	OUTPUT
PS-Power Supply, 120-277VAC	010V-LIN-0-10V Dimming (0.1%), Linear 010V-LOG-0-10V Dimming (0.1%), Logarithmic	D-Dry	96-96 Watts 3X96-3x96 Watts	24-24 VDC

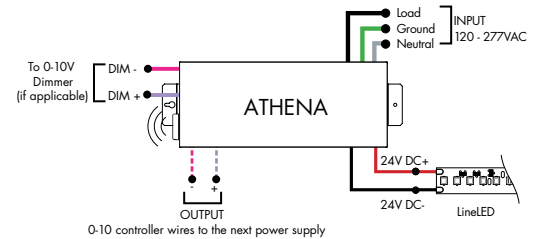
MODELS	96W	3X96
<b>Length</b>	14.40"	15.00"
<b>Width</b>	5.20"	6.62"
<b>Depth</b>	2.60"	4.45"



**Athena 0-10V LED Driver**

MODEL	INPUT CONTROL	ENVIRONMENT	WATTAGE	OUTPUT	FEATURE
PS-Power Supply, 120-277VAC	010V-LIN-0-10V Dimming, Linear 010V-LOG-0-10V Dimming, Logarithmic	D-Dry	96-96 W	24-24 VDC	AWNR-Athena

MODELS	96W
<b>Length</b>	14.40"
<b>Width</b>	5.20"
<b>Depth</b>	2.60"





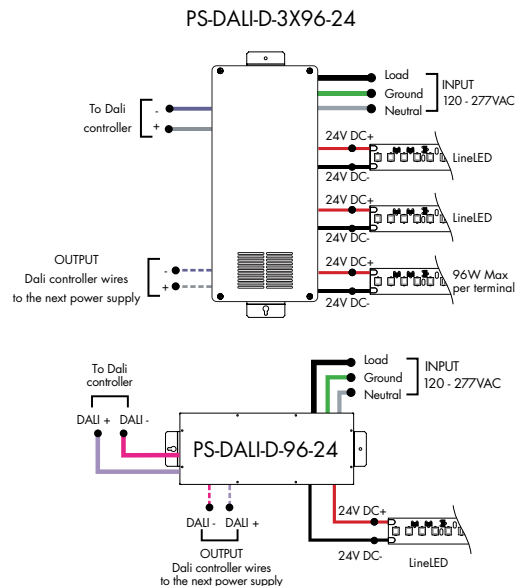
### Power Supplies

See Power Supply instructions and spec sheet for wiring information. For a complete list of compatible dimmers, see Compatible Dimming Chart on the Resources page.

#### Ordering Code DALI Dimming Power Supplies 0.1% 120VAC - 277VAC

MODEL	INPUT CONTROL	ENVIRONMENT	WATTAGE	OUTPUT
PS-Power Supply, 120-277VAC	DALI-DALI (0.1%)	D-Dry	96-96 Watts 3X96-3X96 Watts	24-24 VDC

Model	96W	3X96
Length	14.40"	15.00"
Width	5.20"	6.62"
Depth	2.60"	4.56"

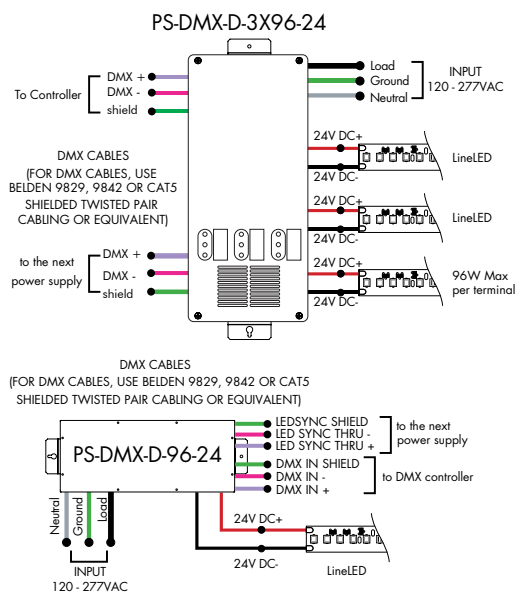


#### Ordering Code DMX Dimming Power Supplies 0.1% 120VAC - 277VAC Requires Zonal Control

MODEL	INPUT CONTROL	ENVIRONMENT	WATTAGE	OUTPUT
PS-Power Supply, 120-277VAC	DMX-DMX (0.1%)	D-Dry	96-96 Watts 3X96-3X96 Watts	24-24 VDC

\*Zonal control power supplies. Control multiple tapes/zones using DMX channels.

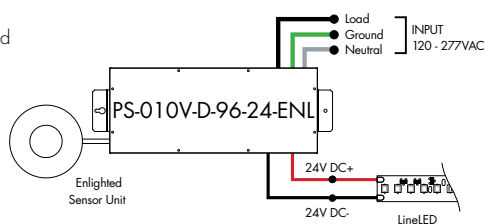
MODELS	96W	3X96
Length	14.40"	15.00"
Width	5.20"	6.62"
Depth	2.60"	4.56"



#### Ordering Code Enlightened Enabled Dimming Power Supplies 1% 120VAC - 277VAC

MODEL	INPUT CONTROL	ENVIRONMENT	WATTAGE	OUTPUT	FEATURE
PS-Power Supply, 120-277VAC	010V-0-10V Dimming (1%)	D-Dry	96-96 Watts	24-24 VDC	ENL-0-10V Enlightened

Model	96W
Length	14.40"
Width	5.20"
Depth	2.60"

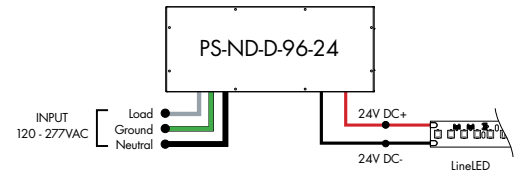


### Power Supplies

See Power Supply instructions and spec sheet for wiring information. For a complete list of compatible dimmers, see Compatible Dimming Chart on the Resources page.

#### Ordering Code Non-Dimming Power Supply 120VAC - 277VAC

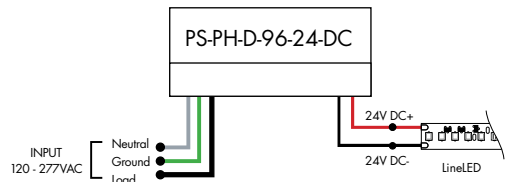
MODEL	INPUT CONTROL	ENVIRONMENT	WATTAGE	OUTPUT
PS - Power Supply, 120-277VAC	ND - Non Dimming	D - Dry	96-96 Watts	24 - 24 VDC



MODELS	96W
Length	14.40"
Width	5.20"
Depth	2.60"

#### Ordering Code Phase Dimming Power Supply 1% 120VAC - 277VAC

MODEL	INPUT CONTROL	ENVIRONMENT	WATTAGE	OUTPUT	OUTPUT CONTROL
PS - Power Supply, 120-277VAC	PH - Phase Dimming (Triac, ELV, MLV)	D - Dry	96 - 96 Watts	24 - 24 VDC	DC - Direct Current



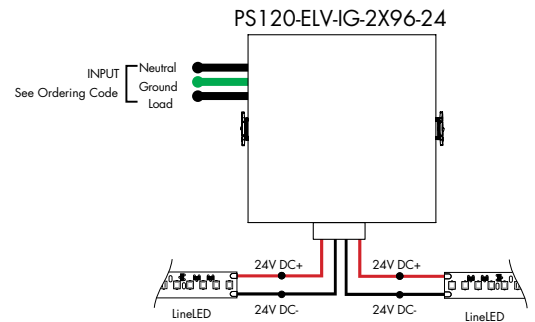
MLV/ELV/TRIAC - 1% dimming, consult dimming compatibility chart ([link](#))

NOTE:  
OVER THE WHITE, GREEN, AND BLACK WIRES,  
CONNECT TO ELV OR MLV DIMMER

MODELS	96W
Length	8.25"
Width	4.10"
Depth	1.56"

#### Ordering Code In-Ground Power Supplies

MODEL	INPUT CONTROL	ENVIRONMENT	WATTAGE	OUTPUT
PS120 - Power Supply, 120VAC PS240 - Power Supply, 240VAC PS277 - Power Supply, 277VAC	ELV - ELV Dimming (1%)	IG - In Ground	2X96 - 2X96 Watts	24 - 24 VDC



MODELS	2X96W
Length	8.40"
Width	8.30"
Depth	8.10"

**Power Supplies**

See Power Supply instructions and spec sheet for wiring information. For a complete list of compatible dimmers, see Compatible Dimming Chart on the Resources page.



Luminii is a Lutron OEM Advantage Partner

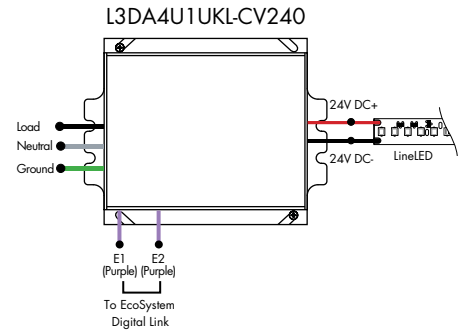
**Lutron Power Supplies 1%**

MODEL

**L3DA4U1UKL-CV240**

HiLume™ 1% EcoSystem Voltage LED driver  
40W max

MODELS	L3DA4U1UKL-CV240
<b>Length</b>	4.98"
<b>Width</b>	4.00"
<b>Depth</b>	2.62"



Luminii is a Lutron OEM Advantage Partner

**Lutron Power Supplies 0.1%**

MODEL

**L3D0-96W24V-U**

HiLume™ 0.1% EcoSystem Voltage LED Driver with Soft-On, Fade-to-Black™  
96W max

MODELS	L3D0
<b>Length</b>	10.50"
<b>Width</b>	5.50"
<b>Depth</b>	2.00"

