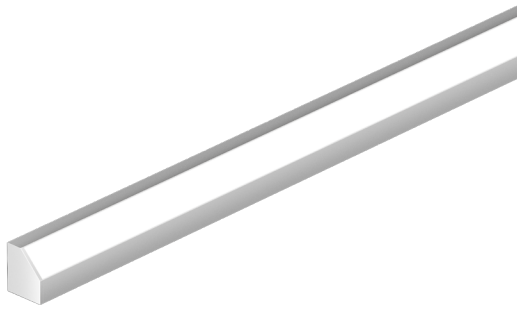
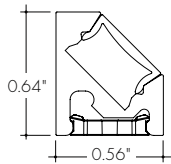


Features



- 24VDC Class 2 and IP68 rated for wet locations, fixtures made to order up to 144". Fixtures can be linked up to 48' depending on output
- Suitable for undercabinet, millwork, direct view, grazer, vanity, architectural reveals, accent lighting and surface mount applications
- Dot free even illumination with frosted lens and high color outputs
- High Color Quality options offer premium quality and vibrant colors with R9 values up to 97
- High Efficacy options offer best in class output and efficacy with over 425 lm/ft and up to 76 lm/W
- Proprietary strong bond solder method handles up to 50 lbs of pull force on wire leads and connectors
- Average Life (L70): 50,000hrs
- 3 Year warranty



Finish Options (see page 3 for additional information)

- Base Silver Anodized
-
- Powder Coat Black Bronze White
-
- Premium Matte Black Warm Nickel Aged Brass Polished Gold Chrome



Technical Information

| TYPE | High Color Quality | | | High Efficacy | | | |
|--|---------------------------------|-----------|---------------------------------|---------------------------------|-----------|---------------------------------|-----------|
| | 72SO | 72HO | 72VHO | HE48LO | HE48SO | HE48MO | HE48HO |
| OUTPUT OPTIONS | | | | | | | |
| Lumens Output (3000K) (with a Clear Lens) | 148 lm/ft | 241 lm/ft | 293 lm/ft | 144 lm/ft | 200 lm/ft | 267 lm/ft | 428 lm/ft |
| Average Power Consumption (for a 4" section) | 2.8 W/ft | 4.8 W/ft | 6 W/ft | 1.9 W/ft | 2.8 W/ft | 3.5 W/ft | 6.5 W/ft |
| Efficacy | 53 lm/W | 50 lm/W | 49 lm/W | 76 lm/W | 71 lm/W | 76 lm/W | 66 lm/W |
| Max Run Length (in series) | 40 ft | 31 ft | 22 ft | 48 ft | 42 ft | 33 ft | 21 ft |
| Ambient Operating Temperature Range* | -15°F - 125°F (-25°C - 50°C) | | -15°F - 115°F (-25°C - 45°C) | -15°F - 125°F (-25°C - 50°C) | | -15°F - 115°F (-25°C - 45°C) | |

*Ambient Operating Temperature Range to maintain L70 of 50k+ hours in normal mounting conditions for the fixture. Exceeding Ambient Operating Temperature Range may result in decreased life/output. Consult Technical Support for specific inquiries.

High Color Quality (72)

| CCT | Multiplier (reference - 3000K) | TM-30 | | | |
|-------|-----------------------------------|-------|----------------|----------------|----------------|
| | | CRI | R _f | R _g | R ₉ |
| 2700K | 0.97 | 97 | 96 | 99 | 93 |
| 3000K | 1.00 | 96 | 95 | 99 | 92 |
| 3500K | 1.01 | 96 | 95 | 100 | 94 |
| 4000K | 1.34 | 97 | 96 | 102 | 92 |

High Efficacy (HE48)

| CCT | Multiplier (reference - 3000K) | TM-30 | | | |
|-------|-----------------------------------|-------|----------------|----------------|----------------|
| | | CRI | R _f | R _g | R ₉ |
| 2700K | 0.94 | 92 | 90 | 99 | 46 |
| 3000K | 1.00 | 92 | 89 | 99 | 62 |
| 3500K | 1.02 | 92 | 89 | 99 | 58 |
| 4000K | 1.02 | 92 | 86 | 94 | 52 |

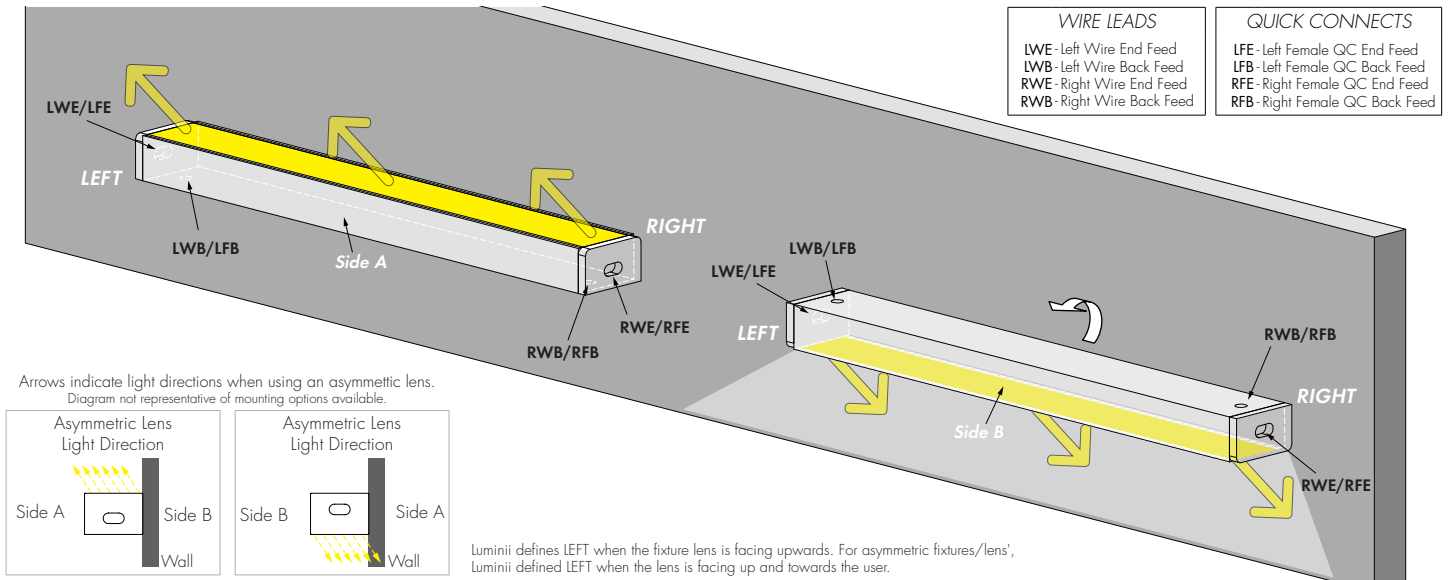
Ordering Code

| MODEL | LENGTH ¹ | OUTPUT ² | CCT | LENS | MOUNTING | FINISH ³ | FEED POSITION LEFT ⁵ | FEED POSITION RIGHT ⁵ |
|-------------------|---------------------------|---|--|----------------------|-------------------------|---|---|---|
| MK45W-Myka 45 Wet | 12"-144" 1" increments | 72SO-Standard 72HO-High 72VHO-Very High | 27K-2700K 30K-3000K 35K-3500K 40K-4100K | C-Clear F-Frosted | CB-Concealed Bracket | BASE SA-Silver Anodized POWDER COAT BK-Black BZ-Bronze WH-White PREMIUM MBK-Matte Black WN-Warm Nickel AB-Aged Brass PG-Polished Gold ⁴ CH-Chrome ⁴ | WIRE LEADS (72") LWE-Wire End Feed LWB-Wire Back Feed LNPF-No Power Feed | WIRE LEADS (72") RWE-Wire End Feed RWB-Wire Back Feed RNPF-No Power Feed |
| | 12"-144" 2" increments | HE48LO-Low HE48SO-Standard HE48MO-Medium HE48HO-High | 27K-2700K 30K-3000K 35K-3500K 40K-4000K | | | | QUICK CONNECTS (4") LFE-Female Q/C, End Feed LFB-Female Q/C, Back Feed LNPF-No Power Feed | QUICK CONNECTS (4") RFE-Female Q/C, End Feed RFB-Female Q/C, Back Feed RNPF-No Power Feed |

1 - Custom lengths and increments are available, please consult Inside Sales with specific request.
 2 - All High Efficacy options can be used to comply with Title 24 JAS. High Color Quality options can be used to comply with Title 24 JAS depending on Output, CCT, and lens selections. See multiplier charts to calculate specific efficacies.
 3 - Non Base finishes may have extended lead times and price adder. Custom RALs are available, please consult Inside Sales with specific request
 4 - Polished Gold, and Chrome finishes have a maximum fixture length of 96".
 5 - LNPF - RNPF is not a valid configuration option

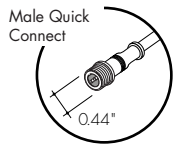
Powerfeeds and Connectors

Power Feed Position Options and Orientation

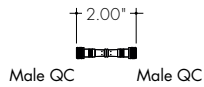


Powerfeeds and Connectors

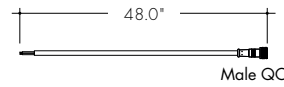
Linking and Extension Cable Options



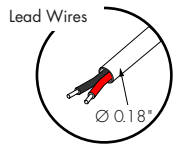
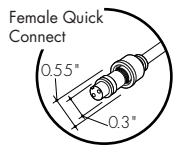
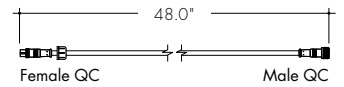
WET-FMA-2-2
Female to Male Adapter, 2 pin



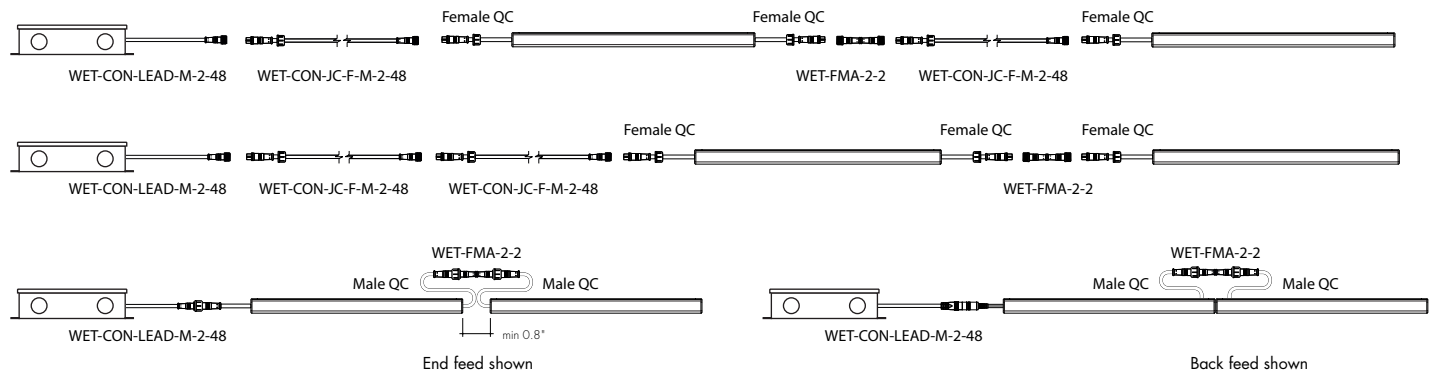
WET-CON-LEAD-M-2-48
Male Wet Connector Cable, 2 pin, 48"



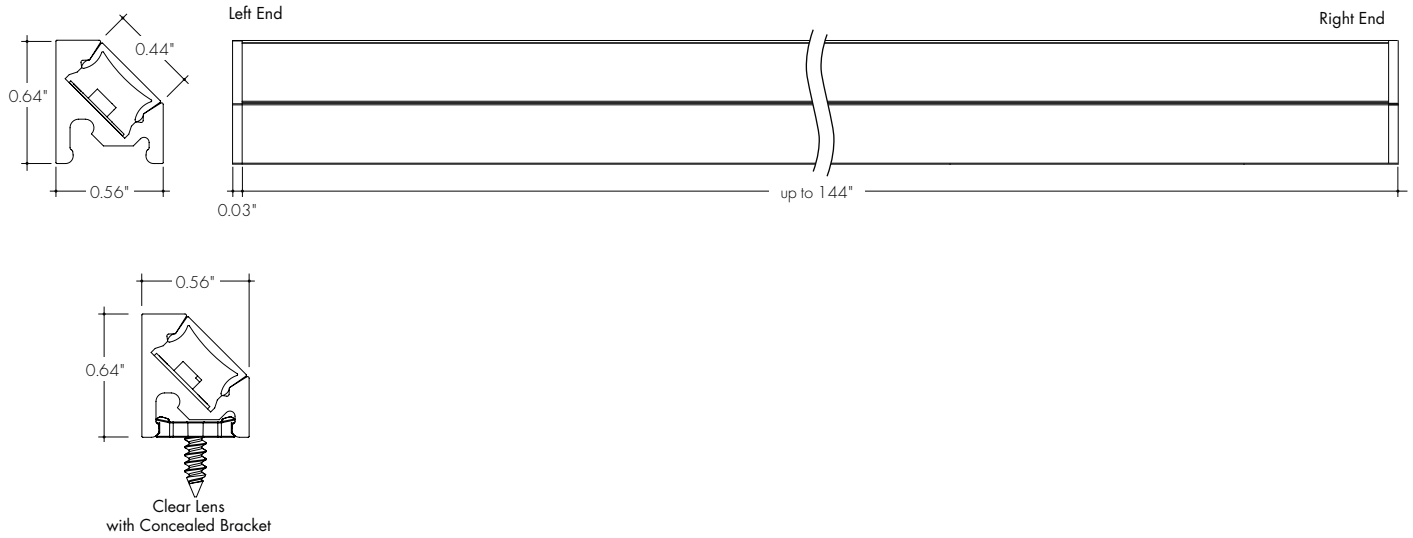
WET-CON-JC-F-M-2-48
Female/Male Wet Jumper Cable, 2 pin, 48"



Sample Layout



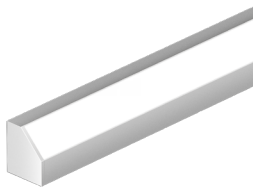
Product Dimensions



Finish Options

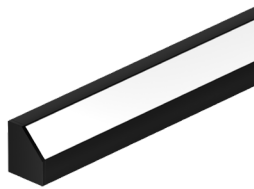
- Finish options are available in a wide variety, allowing for complete customization of style and aesthetic.
- Non Base finishes may have extended lead times and price adder.
- Polished Gold and Chrome finishes have a maximum fixture length of 96".
- Custom RALs are available, please consult Inside Sales with specific request.

Silver Anodized Base



Silver Anodized is a soft silver with a clear finish.

Black Powder Coat



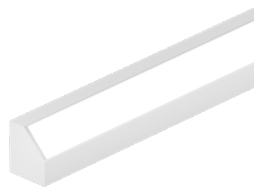
Black is a true deep black with a glossy finish.

Bronze Powder Coat



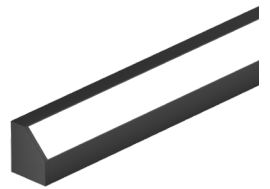
Bronze is a rich, dark brown with a satin finish.

White Powder Coat



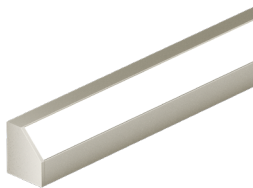
White is a polar bright white and field paintable.

Matte Black Premium



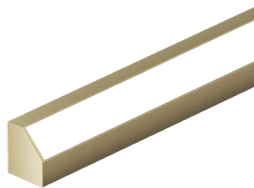
Matte Black is a dark, pitch-black with a soft flat finish.

Warm Nickel Premium



Warm Nickel is a soft, silvery smoke with warm tones and a satin finish.

Aged Brass Premium



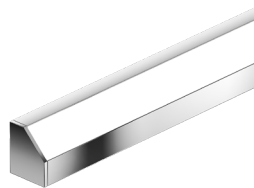
Aged Brass is a deep brown shade with slightly golden undertones.

Polished Gold Premium



Polished Gold is bright and radiant for a brilliant finish.

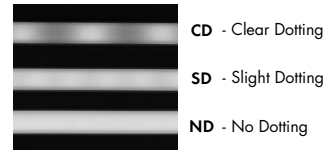
Chrome Premium



Chrome is a highly reflective silver polish.

Light Transmission and Dotting

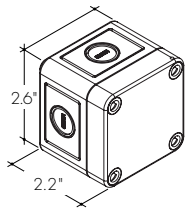
| Output Options | Lens/Accessory | | | | | | | |
|--------------------------------|----------------|-----|-----|----|--------------|-----|-----|----|
| | Clear Lens | | | | Frosted Lens | | | |
| Dimming Level | 100% | 50% | 10% | 1% | 100% | 50% | 10% | 1% |
| 72SO | CD | CD | CD | CD | ND | ND | ND | SD |
| 72HO | CD | CD | CD | CD | ND | ND | ND | SD |
| 72VHO | CD | CD | CD | CD | ND | ND | ND | SD |
| HE48LO | CD | CD | CD | CD | ND | SD | SD | CD |
| HE48SO | CD | CD | CD | CD | ND | SD | SD | CD |
| HE48MO | CD | CD | CD | CD | ND | SD | SD | CD |
| HE48HO | CD | CD | CD | CD | ND | SD | SD | CD |
| Transmission Percentage | 100% | | | | 58% | | | |



Accessory Options

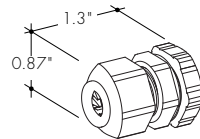
LVSP-WET

Splice box: wet rated, low voltage, gray



LVSP-WET-CM

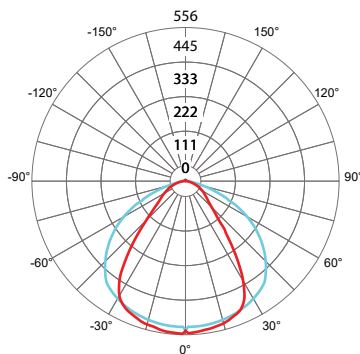
Connector for splice box, low voltage for cable management, gray.



Photometry

MK45W-48-72VHO-30K-C

Myka 45 Wet, 4ft, 72VHO, 3000K, Clear Lens



Zonal Lumen Summary 3000K

| Zone | Lumen | % Fixture |
|-------|-------|-----------|
| 0-30 | 404 | 34.5% |
| 0-40 | 655 | 56.0% |
| 0-60 | 1014 | 86.7% |
| 0-90 | 1156 | 98.8% |
| 0-180 | 1170 | 100% |

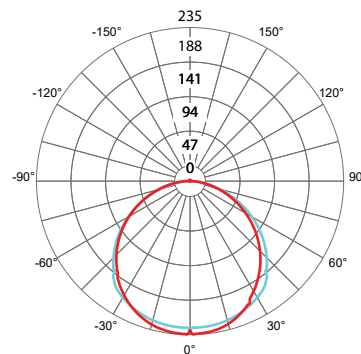
Total



UNIT: CD
C0/180
C90/270

MK45W-48-72VHO-30K-F

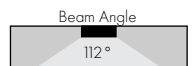
Myka 45 Wet, 4ft, 72VHO, 3000K, Frosted Lens



Zonal Lumen Summary 3000K

| Zone | Lumen | % Fixture |
|-------|-------|-----------|
| 0-30 | 175 | 25.8% |
| 0-40 | 291 | 42.8% |
| 0-60 | 522 | 76.8% |
| 0-90 | 672 | 98.8% |
| 0-180 | 680 | 100% |

Total



UNIT: CD
C0/180
C90/270

Power Consumption

Tested at Full Power with PS-UNI Series power supplies.

Standard Nominal Lengths offered provide minimal shadowing. For alternate lengths, please consult Inside Sales with specific request.

High Color Quality (72)

| Nominal Length (in) | Actual Length | Watts | | | Nominal Length (in) | Actual Length | Watts | | | Nominal Length (in) | Actual Length | Watts | | | Nominal Length (in) | Actual Length | Watts | | |
|---------------------|---------------|-------|------|------|---------------------|---------------|-------|------|------|---------------------|---------------|-------|------|------|---------------------|---------------|-------|------|------|
| | | SO | HO | VHO | | | SO | HO | VHO | | | SO | HO | VHO | | | | | |
| 12 | 11 4/16 | 2.7 | 4.4 | 6.2 | 47 | - | - | - | 82 | 81 14/16 | 18.3 | 29.5 | 38.4 | 117 | 116 10/16 | 25.9 | 40.8 | 52.4 | |
| 13 | 12 6/16 | 2.7 | 4.4 | 6.2 | 48 | 47 2/16 | 10.5 | 17.4 | 23.1 | 83 | - | - | - | 118 | 117 12/16 | 26.1 | 41.1 | 52.8 | |
| 14 | 13 9/16 | 2.9 | 4.8 | 6.7 | 49 | 48 5/16 | 10.7 | 17.8 | 23.5 | 84 | 83 | 18.5 | 29.8 | 38.8 | 119 | 118 15/16 | 26.3 | 41.4 | 53.2 |
| 15 | 14 11/16 | 3.1 | 5.2 | 7.3 | 50 | 49 7/16 | 11.1 | 18.6 | 24.4 | 85 | 84 3/16 | 18.7 | 30.1 | 39.2 | 120 | - | - | - | |
| 16 | 15 14/16 | 3.4 | 5.6 | 7.8 | 51 | 50 10/16 | 11.4 | 18.9 | 24.9 | 86 | 85 5/16 | 19.2 | 30.8 | 40.0 | 121 | 120 1/16 | 26.5 | 41.7 | 53.6 |
| 17 | - | - | - | - | 52 | 51 12/16 | 11.6 | 19.3 | 25.3 | 87 | 86 8/16 | 19.4 | 31.1 | 40.4 | 122 | 121 4/16 | 26.7 | 42.0 | 54.0 |
| 18 | 17 | 3.6 | 6.0 | 8.3 | 53 | 52 15/16 | 11.9 | 19.7 | 25.7 | 88 | 87 10/16 | 19.6 | 31.5 | 40.8 | 123 | 122 6/16 | 27.1 | 42.6 | 54.7 |
| 19 | 18 3/16 | 3.9 | 6.5 | 8.9 | 54 | - | - | - | 89 | 88 13/16 | 19.9 | 31.8 | 41.1 | 124 | 123 9/16 | 27.3 | 42.9 | 55.0 | |
| 20 | 19 5/16 | 4.4 | 7.3 | 9.9 | 55 | 54 1/16 | 12.1 | 20.1 | 26.1 | 90 | 90 | 20.1 | 32.2 | 41.5 | 125 | 124 11/16 | 27.5 | 43.1 | 55.4 |
| 21 | 20 8/16 | 4.6 | 7.7 | 10.5 | 56 | 55 4/16 | 12.3 | 20.5 | 26.6 | 91 | - | - | - | 126 | 125 14/16 | 27.7 | 43.4 | 55.7 | |
| 22 | 21 10/16 | 4.8 | 8.1 | 11.0 | 57 | 56 6/16 | 12.8 | 21.3 | 27.4 | 92 | 91 2/16 | 20.4 | 32.5 | 41.9 | 127 | - | - | - | |
| 23 | 22 13/16 | 5.1 | 8.6 | 11.5 | 58 | 57 9/16 | 13.1 | 21.6 | 27.8 | 93 | 92 5/16 | 20.6 | 32.9 | 42.3 | 128 | 127 | 27.9 | 43.7 | 56.1 |
| 24 | 24 | 5.3 | 9.0 | 12.1 | 59 | 58 11/16 | 13.3 | 22.0 | 28.3 | 94 | 93 7/16 | 21.1 | 33.6 | 43.1 | 129 | 128 3/16 | 28.1 | 43.9 | 56.4 |
| 25 | - | - | - | - | 60 | 59 14/16 | 13.6 | 22.4 | 28.7 | 95 | 94 10/16 | 21.3 | 33.9 | 43.4 | 130 | 129 5/16 | 28.5 | 44.5 | 57.1 |
| 26 | 25 2/16 | 5.6 | 9.4 | 12.6 | 61 | - | - | - | 96 | 95 12/16 | 21.5 | 34.2 | 43.8 | 131 | 130 8/16 | 28.7 | 44.7 | 57.4 | |
| 27 | 26 5/16 | 5.8 | 9.8 | 13.1 | 62 | 61 | 13.8 | 22.8 | 29.1 | 97 | 96 15/16 | 21.8 | 34.6 | 44.2 | 132 | 131 11/16 | 28.9 | 45.0 | 57.8 |
| 28 | 27 7/16 | 6.2 | 10.5 | 14.1 | 63 | 62 3/16 | 14.0 | 23.1 | 29.6 | 98 | - | - | - | 133 | 132 13/16 | 29.1 | 45.3 | 58.1 | |
| 29 | 28 10/16 | 6.5 | 10.9 | 14.5 | 64 | 63 5/16 | 14.5 | 23.8 | 30.5 | 99 | 98 1/16 | 22.0 | 34.9 | 44.6 | 134 | 134 | 29.3 | 45.5 | 58.4 |
| 30 | 29 12/16 | 6.7 | 11.2 | 15.0 | 65 | 64 8/16 | 14.7 | 24.1 | 31.0 | 100 | 99 4/16 | 22.2 | 35.2 | 45.0 | 135 | - | - | - | |
| 31 | 30 15/16 | 6.9 | 11.6 | 15.5 | 66 | 65 10/16 | 14.9 | 24.4 | 31.4 | 101 | 100 6/16 | 22.5 | 35.9 | 45.9 | 136 | 135 2/16 | 29.5 | 45.7 | 58.7 |
| 32 | - | - | - | - | 67 | 66 13/16 | 15.1 | 24.7 | 31.9 | 102 | 101 9/16 | 22.7 | 36.2 | 46.3 | 137 | 136 5/16 | 29.6 | 45.9 | 59.1 |
| 33 | 32 1/16 | 7.1 | 12.0 | 16.0 | 68 | 68 | 15.3 | 25.0 | 32.4 | 103 | 102 11/16 | 22.9 | 36.5 | 46.7 | 138 | 137 7/16 | 30.0 | 46.3 | 59.7 |
| 34 | 33 4/16 | 7.3 | 12.3 | 16.5 | 69 | - | - | - | 104 | 103 14/16 | 23.1 | 36.8 | 47.1 | 139 | 138 10/16 | 30.2 | 46.5 | 60.0 | |
| 35 | 34 6/16 | 7.8 | 13.1 | 17.4 | 70 | 69 2/16 | 15.5 | 25.4 | 32.8 | 105 | - | - | - | 140 | 139 12/16 | 30.3 | 46.8 | 60.3 | |
| 36 | 35 9/16 | 8.0 | 13.4 | 17.9 | 71 | 70 5/16 | 15.8 | 25.7 | 33.3 | 106 | 105 | 23.3 | 37.1 | 47.5 | 141 | 140 15/16 | 30.5 | 47.0 | 60.6 |
| 37 | 36 11/16 | 8.2 | 13.8 | 18.4 | 72 | 71 7/16 | 16.2 | 26.3 | 34.2 | 107 | 106 3/16 | 23.5 | 37.4 | 48.0 | 142 | - | - | - | |
| 38 | 37 14/16 | 8.4 | 14.2 | 18.9 | 73 | 72 10/16 | 16.4 | 26.6 | 34.7 | 108 | 107 5/16 | 23.9 | 38.1 | 48.8 | 143 | 142 1/16 | 30.7 | 47.2 | 61.0 |
| 39 | - | - | - | - | 74 | 73 12/16 | 16.6 | 26.9 | 35.1 | 109 | 108 8/16 | 24.1 | 38.4 | 49.2 | 144 | 143 4/16 | 30.8 | 47.4 | 61.3 |
| 40 | 39 | 8.7 | 14.5 | 19.3 | 75 | 74 15/16 | 16.8 | 27.3 | 35.5 | 110 | 109 11/16 | 24.3 | 38.7 | 49.6 | | | | | |
| 41 | 40 3/16 | 8.9 | 14.9 | 19.8 | 76 | - | - | - | 111 | 110 13/16 | 24.5 | 39.0 | 50.0 | | | | | | |
| 42 | 41 5/16 | 9.3 | 15.6 | 20.7 | 77 | 76 1/16 | 17.1 | 27.6 | 35.9 | 112 | 112 | 24.8 | 39.3 | 50.4 | | | | | |
| 43 | 42 8/16 | 9.6 | 16.0 | 21.2 | 78 | 77 4/16 | 17.3 | 27.9 | 36.3 | 113 | - | - | - | | | | | | |
| 44 | 43 10/16 | 9.8 | 16.4 | 21.7 | 79 | 78 6/16 | 17.7 | 28.5 | 37.2 | 114 | 113 2/16 | 25.0 | 39.6 | 50.8 | | | | | |
| 45 | 44 13/16 | 10.0 | 16.7 | 22.1 | 80 | 79 9/16 | 17.9 | 28.9 | 37.6 | 115 | 114 5/16 | 25.2 | 39.9 | 51.2 | | | | | |
| 46 | 46 | 10.2 | 17.1 | 22.6 | 81 | 80 11/16 | 18.1 | 29.2 | 38.0 | 116 | 115 7/16 | 25.6 | 40.5 | 52.0 | | | | | |

Power Consumption

Tested at Full Power with PS-UNI Series power supplies.

Standard Nominal Lengths offered provide minimal shadowing. For alternate lengths, please consult Inside Sales with specific request.

High Efficacy (HE48)

| Nominal Length (in) | Actual Length | Watts | | | | Nominal Length (in) | Actual Length | Watts | | | | Nominal Length (in) | Actual Length | Watts | | | | Nominal Length (in) | Actual Length | Watts | | | |
|---------------------|---------------|-------|------|------|------|---------------------|---------------|-------|------|------|------|---------------------|---------------|-------|------|------|------|---------------------|---------------|-------|------|------|------|
| | | LO | SO | MO | HO | | | LO | SO | MO | HO | | | LO | SO | MO | HO | | | LO | SO | MO | HO |
| 12 | 10 10/16 | 1.7 | 2.5 | 3.5 | 5.7 | 47 | 46 1/16 | 6.9 | 10.7 | 13.3 | 24.7 | 82 | 81 8/16 | 12.5 | 19.9 | 23.9 | 42.2 | 117 | 116 15/16 | 17.5 | 27.7 | 34.3 | 58.7 |
| 13 | 12 10/16 | 1.7 | 2.5 | 3.5 | 5.7 | 48 | - | - | - | - | - | 83 | - | - | - | - | - | 118 | - | - | - | - | - |
| 14 | - | - | - | - | - | 49 | 48 1/16 | 7.1 | 11.2 | 13.9 | 25.4 | 84 | 83 8/16 | 12.8 | 20.3 | 24.5 | 43.1 | 119 | 118 15/16 | 17.8 | 28.1 | 34.9 | 59.6 |
| 15 | 14 9/16 | 2.0 | 3.0 | 4.0 | 7.2 | 50 | - | - | - | - | - | 85 | - | - | - | - | - | 120 | - | - | - | - | - |
| 16 | - | - | - | - | - | 51 | 50 | 7.4 | 11.7 | 14.5 | 26.3 | 86 | 85 7/16 | 13.1 | 20.8 | 25.1 | 44.1 | 121 | 120 14/16 | 18.1 | 28.6 | 35.5 | 60.5 |
| 17 | 16 9/16 | 2.4 | 3.5 | 4.6 | 8.7 | 52 | 52 | 7.7 | 12.3 | 15.1 | 27.4 | 87 | - | - | - | - | - | 122 | - | - | - | - | - |
| 18 | - | - | - | - | - | 53 | - | - | - | - | - | 88 | 87 7/16 | 13.4 | 21.3 | 25.7 | 45.0 | 123 | 122 14/16 | 18.3 | 29.0 | 36.0 | 62.1 |
| 19 | 18 8/16 | 2.7 | 3.9 | 5.2 | 10.2 | 54 | 53 15/16 | 8.0 | 12.9 | 15.7 | 28.5 | 89 | - | - | - | - | - | 124 | - | - | - | - | - |
| 20 | - | - | - | - | - | 55 | - | - | - | - | - | 90 | 89 6/16 | 13.7 | 21.7 | 26.3 | 46.0 | 125 | 124 13/16 | 18.4 | 29.5 | 36.6 | 63.8 |
| 21 | 20 8/16 | 3.0 | 4.4 | 5.8 | 11.7 | 56 | 55 15/16 | 8.4 | 13.5 | 16.4 | 29.5 | 91 | - | - | - | - | - | 126 | - | - | - | - | - |
| 22 | - | - | - | - | - | 57 | - | - | - | - | - | 92 | 91 6/16 | 14.0 | 22.1 | 26.9 | 47.0 | 127 | 126 13/16 | 18.6 | 29.9 | 37.2 | 65.4 |
| 23 | 22 7/16 | 3.4 | 4.9 | 6.4 | 13.2 | 58 | 57 14/16 | 8.7 | 14.0 | 17.0 | 30.6 | 93 | - | - | - | - | - | 128 | - | - | - | - | - |
| 24 | - | - | - | - | - | 59 | - | - | - | - | - | 94 | 93 5/16 | 14.3 | 22.6 | 27.5 | 47.9 | 129 | 128 12/16 | 18.8 | 30.4 | 37.7 | 67.0 |
| 25 | 24 7/16 | 3.7 | 5.4 | 7.0 | 14.7 | 60 | 59 14/16 | 9.0 | 14.6 | 17.6 | 31.6 | 95 | - | - | - | - | - | 130 | - | - | - | - | - |
| 26 | - | - | - | - | - | 61 | - | - | - | - | - | 96 | 95 5/16 | 14.4 | 22.8 | 27.8 | 48.4 | 131 | 130 12/16 | 18.9 | 30.8 | 38.3 | 68.6 |
| 27 | 26 6/16 | 4.1 | 5.9 | 7.5 | 15.8 | 62 | 61 13/16 | 9.4 | 15.2 | 18.2 | 32.6 | 97 | - | - | - | - | - | 132 | - | - | - | - | - |
| 28 | - | - | - | - | - | 63 | - | - | - | - | - | 98 | 97 4/16 | 14.7 | 23.3 | 28.5 | 49.4 | 133 | 132 11/16 | 19.1 | 31.2 | 38.9 | 70.2 |
| 29 | 28 6/16 | 4.4 | 6.4 | 8.1 | 16.8 | 64 | 63 13/16 | 9.7 | 15.6 | 18.7 | 33.7 | 99 | - | - | - | - | - | 134 | - | - | - | - | - |
| 30 | - | - | - | - | - | 65 | - | - | - | - | - | 100 | 99 4/16 | 15.0 | 23.7 | 29.0 | 50.4 | 135 | 134 11/16 | 19.3 | 31.8 | 39.4 | 70.7 |
| 31 | 30 5/16 | 4.8 | 6.9 | 8.7 | 17.9 | 66 | 65 12/16 | 10.0 | 16.1 | 19.2 | 34.7 | 101 | - | - | - | - | - | 136 | - | - | - | - | - |
| 32 | - | - | - | - | - | 67 | - | - | - | - | - | 102 | 101 3/16 | 15.3 | 24.1 | 29.6 | 51.3 | 137 | 136 10/16 | 19.5 | 32.3 | 40.0 | 71.2 |
| 33 | 32 5/16 | 5.0 | 7.2 | 9.0 | 18.5 | 68 | 67 12/16 | 10.4 | 16.5 | 19.8 | 35.7 | 103 | - | - | - | - | - | 138 | - | - | - | - | - |
| 34 | - | - | - | - | - | 69 | - | - | - | - | - | 104 | 103 3/16 | 15.6 | 24.6 | 30.2 | 52.3 | 139 | 138 10/16 | 19.8 | 32.8 | 40.6 | 71.8 |
| 35 | 34 4/16 | 5.4 | 7.7 | 9.6 | 19.5 | 70 | 69 11/16 | 10.7 | 17.0 | 20.3 | 36.7 | 105 | - | - | - | - | - | 140 | - | - | - | - | - |
| 36 | - | - | - | - | - | 71 | - | - | - | - | - | 106 | 105 2/16 | 15.8 | 25.0 | 30.7 | 53.2 | 141 | 140 9/16 | 20.0 | 33.3 | 41.1 | 72.3 |
| 37 | 36 4/16 | 5.7 | 8.2 | 10.2 | 20.6 | 72 | 71 11/16 | 11.0 | 17.4 | 20.8 | 37.7 | 107 | - | - | - | - | - | 142 | - | - | - | - | - |
| 38 | - | - | - | - | - | 73 | - | - | - | - | - | 108 | 107 2/16 | 16.1 | 25.5 | 31.3 | 54.2 | 143 | 142 9/16 | 20.2 | 33.9 | 41.7 | 72.8 |
| 39 | 38 3/16 | 6.0 | 8.7 | 10.8 | 21.5 | 74 | 73 10/16 | 11.3 | 17.9 | 21.4 | 38.7 | 109 | - | - | - | - | - | 144 | - | - | - | - | - |
| 40 | - | - | - | - | - | 75 | - | - | - | - | - | 110 | 109 1/16 | 16.4 | 25.9 | 31.9 | 55.2 | | | | | | |
| 41 | 40 3/16 | 6.2 | 9.2 | 11.4 | 22.3 | 76 | 75 10/16 | 11.6 | 18.4 | 22.0 | 39.6 | 111 | - | - | - | - | - | | | | | | |
| 42 | - | - | - | - | - | 77 | - | - | - | - | - | 112 | 111 1/16 | 16.7 | 26.4 | 32.5 | 56.1 | | | | | | |
| 43 | 42 2/16 | 6.4 | 9.7 | 12.0 | 23.1 | 78 | 77 9/16 | 11.9 | 18.9 | 22.7 | 40.5 | 113 | - | - | - | - | - | | | | | | |
| 44 | - | - | - | - | - | 79 | - | - | - | - | - | 114 | 113 | 17.0 | 26.8 | 33.1 | 57.0 | | | | | | |
| 45 | 44 2/16 | 6.7 | 10.2 | 12.6 | 23.9 | 80 | 79 9/16 | 12.2 | 19.4 | 23.3 | 41.4 | 115 | 115 | 17.3 | 27.3 | 33.7 | 57.9 | | | | | | |
| 46 | - | - | - | - | - | 81 | - | - | - | - | - | 116 | - | - | - | - | - | | | | | | |

Voltage Drop Calculator

The below chart assumes nominal voltage of 24 Volts and a Voltage Drop Allowance of 3% through the wire

| Wattage [W] | Maximum Wire Length From Power Supply to Start of Run [ft] | | | | | | |
|-------------|--|--------|--------|--------|--------|--------|--------|
| | 12 AWG | 14 AWG | 16 AWG | 18 AWG | 20 AWG | 22 AWG | 24 AWG |
| 5 | 1088.2 | 684.4 | 430.3 | 270.6 | 170.2 | 107.1 | 67.3 |
| 10 | 544.1 | 342.2 | 215.1 | 135.3 | 85.1 | 53.5 | 33.7 |
| 15 | 362.7 | 228.1 | 143.4 | 90.2 | 56.7 | 35.7 | 22.4 |
| 20 | 272.0 | 171.1 | 107.6 | 67.7 | 42.6 | 26.8 | 16.8 |
| 25 | 217.6 | 136.9 | 86.1 | 54.1 | 34.0 | 21.4 | 13.5 |
| 30 | 181.4 | 114.1 | 71.7 | 45.1 | 28.4 | 17.8 | 11.2 |
| 35 | 155.5 | 97.8 | 61.5 | 38.7 | 24.3 | 15.3 | 9.6 |
| 40 | 136.0 | 85.5 | 53.8 | 33.8 | 21.3 | 13.4 | 8.4 |
| 45 | 120.9 | 76.0 | 47.8 | 30.1 | 18.9 | 11.9 | 7.5 |
| 50 | 108.8 | 68.4 | 43.0 | 27.1 | 17.0 | 10.7 | 6.7 |
| 55 | 98.9 | 62.2 | 39.1 | 24.6 | 15.5 | 9.7 | 6.1 |
| 60 | 90.7 | 57.0 | 35.9 | 22.6 | 14.2 | 8.9 | 5.6 |
| 65 | 83.7 | 52.6 | 33.1 | 20.8 | 13.1 | 8.2 | 5.2 |
| 70 | 77.7 | 48.9 | 30.7 | 19.3 | 12.2 | 7.6 | 4.8 |
| 75 | 72.5 | 45.6 | 28.7 | 18.0 | 11.3 | 7.1 | 4.5 |
| 80 | 68.0 | 42.8 | 26.9 | 16.9 | 10.6 | 6.7 | 4.2 |
| 85 | 64.0 | 40.3 | 25.3 | 15.9 | 10.0 | 6.3 | 4.0 |
| 90 | 60.5 | 38.0 | 23.9 | 15.0 | 9.5 | 5.9 | 3.7 |
| 96 | 56.7 | 35.6 | 22.4 | 14.1 | 8.9 | 5.6 | 3.5 |

Power Supplies

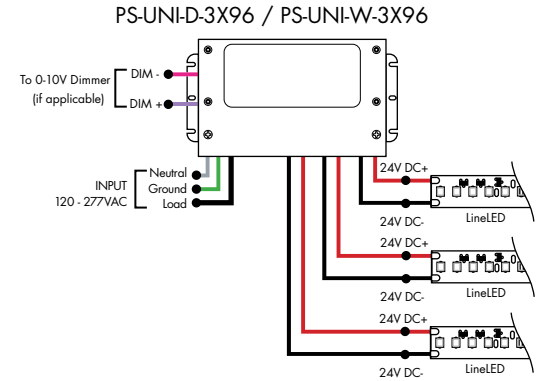
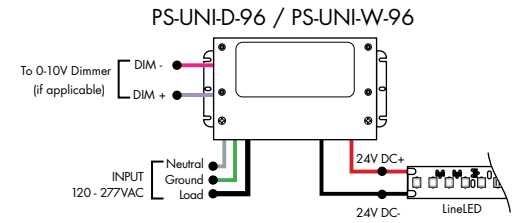
See Power Supply instructions and spec sheet for wiring information. For a complete list of compatible dimmers, see Compatible Dimming Chart on the Resources page.

Ordering Code Universal Dimming Power Supplies 1% 120VAC - 277VAC

| MODEL | INPUT CONTROL | ENVIRONMENT | WATTAGE | OUTPUT |
|-----------------------------|----------------------------------|----------------|--|-----------|
| PS-Power Supply, 120-277VAC | UNI-0-10V Dimming, Phase Dimming | D-Dry W-Wet | 30-30 Watts 60-60 Watts 96-96 Watts 3x96-3x96 Watts | 24-24 VDC |

Compatibility: View a complete list of compatible dimmers on product page [\(Link\)](#)

0-10V - 1% dimming
MLV/ELV/TRIAC - 1% dimming, consult dimming compatibility chart



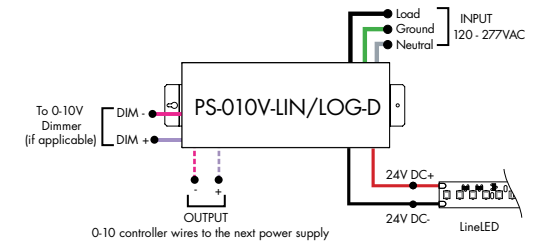
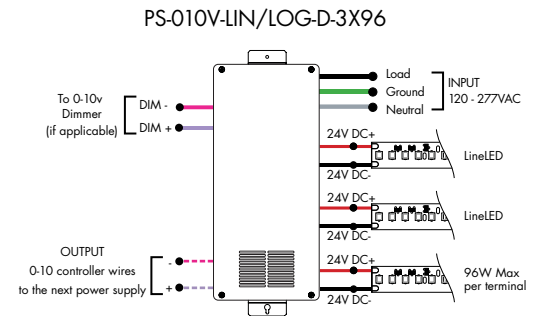
| MODELS | PS-UNI-W-30W | PS-UNI-W-60W | PS-UNI-W-96W | PS-UNI-W-3X96W |
|---------------|--------------|--------------|--------------|----------------|
| Length | 6.50" | 7.40" | 8.66" | 11.85" |
| Width | 3.73" | 3.73" | 3.73" | 4.32" |
| Depth | 1.61" | 1.61" | 1.61" | 1.81" |

| MODELS | PS-UNI-D-30W | PS-UNI-D-60W | PS-UNI-D-96W | PS-UNI-D-3X96W |
|---------------|--------------|--------------|--------------|----------------|
| Length | 8.77" | 8.77" | 8.11" | 9.94" |
| Width | 4.27" | 4.27" | 5.60" | 7.61" |
| Depth | 1.83" | 1.83" | 1.83" | 2.02" |

Ordering Code 0-10V Dimming Power Supplies 0.1% 120VAC - 277VAC

| MODEL | INPUT CONTROL | ENVIRONMENT | WATTAGE | OUTPUT |
|-----------------------------|---|-------------|--------------------------------|-----------|
| PS-Power Supply, 120-277VAC | 010V-LIN-0-10V Dimming (0.1%), Linear 010V-LOG-0-10V Dimming (0.1%), Logarithmic | D-Dry | 96-96 Watts 3X96-3x96 Watts | 24-24 VDC |

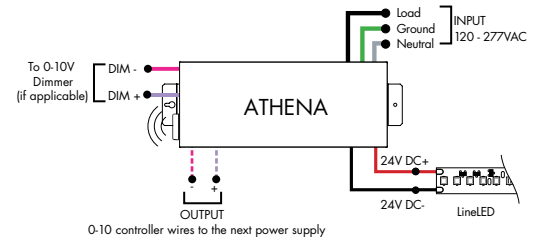
| MODELS | 96W | 3X96 |
|---------------|--------|--------|
| Length | 14.40" | 15.00" |
| Width | 5.20" | 6.62" |
| Depth | 2.60" | 4.45" |



Athena 0-10V LED Driver

| MODEL | INPUT CONTROL | ENVIRONMENT | WATTAGE | OUTPUT | FEATURE |
|-----------------------------|---|-------------|---------|-----------|-------------|
| PS-Power Supply, 120-277VAC | 010V-LIN-0-10V Dimming, Linear 010V-LOG-0-10V Dimming, Logarithmic | D-Dry | 96-96 W | 24-24 VDC | AWNR-Athena |

| MODELS | 96W |
|---------------|--------|
| Length | 14.40" |
| Width | 5.20" |
| Depth | 2.60" |



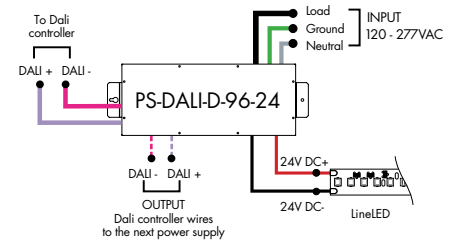
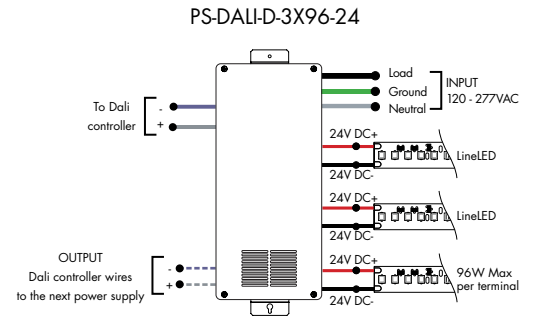
Power Supplies

See Power Supply instructions and spec sheet for wiring information. For a complete list of compatible dimmers, see Compatible Dimming Chart on the Resources page.

Ordering Code DALI1 Dimming Power Supplies 0.1% 120VAC - 277VAC

| MODEL | INPUT CONTROL | ENVIRONMENT | WATTAGE | OUTPUT |
|-----------------------------|------------------|-------------|--------------------------------|-----------|
| PS-Power Supply, 120-277VAC | DALI-DALI (0.1%) | D-Dry | 96-96 Watts 3X96-3X96 Watts | 24-24 VDC |

| Model | 96W | 3X96 |
|--------|--------|--------|
| Length | 14.40" | 15.00" |
| Width | 5.20" | 6.62" |
| Depth | 2.60" | 4.56" |

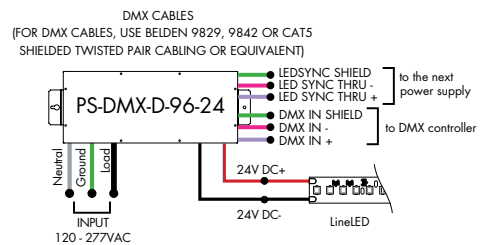
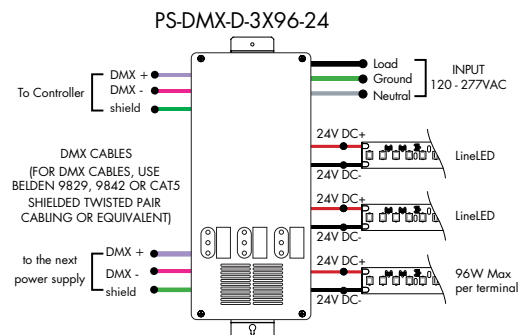


Ordering Code DMX Dimming Power Supplies 0.1% 120VAC - 277VAC Requires Zonal Control

| MODEL | INPUT CONTROL | ENVIRONMENT | WATTAGE | OUTPUT |
|-----------------------------|----------------|-------------|--------------------------------|-----------|
| PS-Power Supply, 120-277VAC | DMX-DMX (0.1%) | D-Dry | 96-96 Watts 3X96-3X96 Watts | 24-24 VDC |

*Zonal control power supplies. Control multiple tapes/zones using DMX channels.

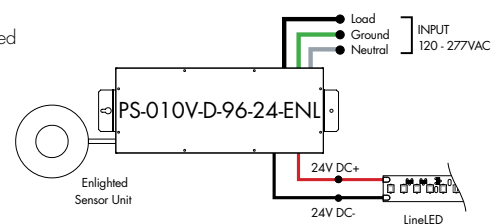
| MODELS | 96W | 3X96 |
|--------|--------|--------|
| Length | 14.40" | 15.00" |
| Width | 5.20" | 6.62" |
| Depth | 2.60" | 4.56" |



Ordering Code Enlighted Enabled Dimming Power Supplies 1% 120VAC - 277VAC

| MODEL | INPUT CONTROL | ENVIRONMENT | WATTAGE | OUTPUT | FEATURE |
|-----------------------------|-------------------------|-------------|-------------|-----------|-----------------------|
| PS-Power Supply, 120-277VAC | 010V-0-10V Dimming (1%) | D-Dry | 96-96 Watts | 24-24 VDC | ENL-0-10V Enlightened |

| Model | 96W |
|--------|--------|
| Length | 14.40" |
| Width | 5.20" |
| Depth | 2.60" |

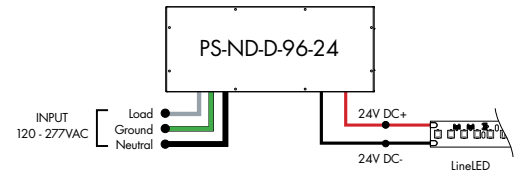


Power Supplies

See Power Supply instructions and spec sheet for wiring information. For a complete list of compatible dimmers, see Compatible Dimming Chart on the Resources page.

Ordering Code Non-Dimming Power Supply 120VAC - 277VAC

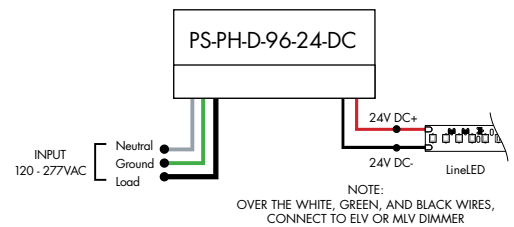
| MODEL | INPUT CONTROL | ENVIRONMENT | WATTAGE | OUTPUT |
|-------------------------------|------------------|-------------|-------------|-------------|
| PS - Power Supply, 120-277VAC | ND - Non Dimming | D - Dry | 96-96 Watts | 24 - 24 VDC |



| MODELS | 96W |
|--------|--------|
| Length | 14.40" |
| Width | 5.20" |
| Depth | 2.60" |

Ordering Code Phase Dimming Power Supply 1% 120VAC - 277VAC

| MODEL | INPUT CONTROL | ENVIRONMENT | WATTAGE | OUTPUT | OUTPUT CONTROL |
|-------------------------------|--------------------------------------|-------------|-------------|-----------|---------------------|
| PS - Power Supply, 120-277VAC | PH - Phase Dimming (Triac, ELV, MLV) | D - Dry | 96-96 Watts | 24-24 VDC | DC - Direct Current |

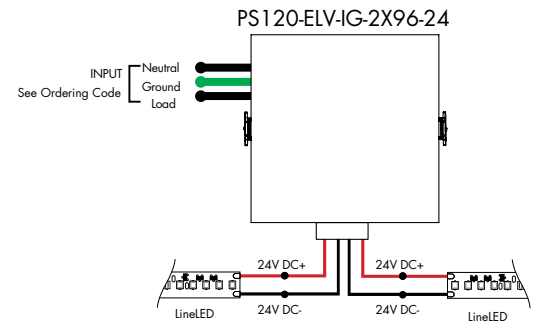


MLV/ELV/TRIAC - 1% dimming, consult dimming compatibility chart ([link](#))

| MODELS | 96W |
|--------|-------|
| Length | 8.25" |
| Width | 4.10" |
| Depth | 1.56" |

Ordering Code In-Ground Power Supplies

| MODEL | INPUT CONTROL | ENVIRONMENT | WATTAGE | OUTPUT |
|--|------------------------|----------------|-----------------|-----------|
| PS120 - Power Supply, 120VAC PS240 - Power Supply, 240VAC PS277 - Power Supply, 277VAC | ELV - ELV Dimming (1%) | IG - In Ground | 2X96-2X96 Watts | 24-24 VDC |



| MODELS | 2X96W |
|--------|-------|
| Length | 8.40" |
| Width | 8.30" |
| Depth | 8.10" |

Power Supplies

See Power Supply instructions and spec sheet for wiring information. For a complete list of compatible dimmers, see Compatible Dimming Chart on the Resources page.



Luminii is a Lutron OEM Advantage Partner

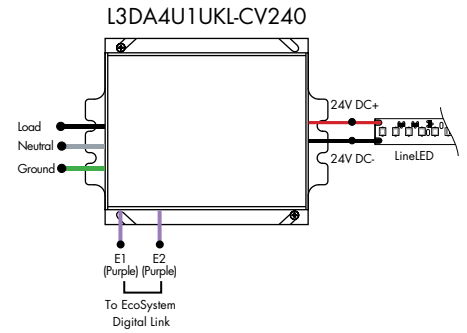
Lutron Power Supplies 1%

MODEL

L3DA4U1UKL-CV240

HiLume™ 1% EcoSystem Voltage LED driver
40W max

| MODELS | L3DA4U1UKL-CV240 |
|---------------|------------------|
| Length | 4.98" |
| Width | 4.00" |
| Depth | 2.62" |



Luminii is a Lutron OEM Advantage Partner

Lutron Power Supplies 0.1%

MODEL

L3D0-96W24V-U

HiLume™ 0.1% EcoSystem Voltage LED Driver with Soft-On, Fade-to-Black™
96W max

| MODELS | L3D0 |
|---------------|--------|
| Length | 10.50" |
| Width | 5.50" |
| Depth | 2.00" |

