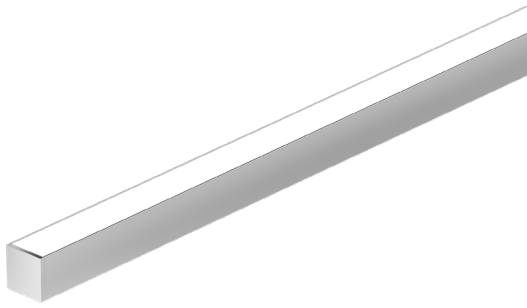
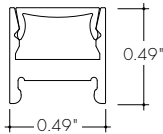


**Features**



- 24VDC Class 2 and IP68 rated for wet locations, fixtures made to order up to 144". Fixtures can be linked up to 48' depending on output
- Suitable for undercabinet, millwork, direct view, grazer, vanity, architectural reveals, accent lighting and surface mount applications
- Dot free even illumination with frosted lens and high color outputs
- High Color Quality options offer premium quality and vibrant colors with R9 values up to 97
- High Efficacy options offer best in class output and efficacy with over 425 lm/ft and up to 76 lm/W
- Proprietary strong bond solder method handles up to 50 lbs of pull force on wire leads and connectors
- 3 Year warranty



**Finish Options (see page 3 for additional information)**

- Base**  Silver Anodized
- 
- Powder Coat**  Black  Bronze  White
- 
- Premium**  Matte Black  Warm Nickel  Aged Brass  Polished Gold  Chrome



**Technical Information**

TYPE	High Color Quality			High Efficacy			
	72SO	72HO	72VHO	HE48LO	HE48SO	HE48MO	HE48HO
<b>OUTPUT OPTIONS</b>							
<b>Lumens Output (3000K)</b> <small>(with a Clear Lens)</small>	148 lm/ft	241 lm/ft	293 lm/ft	144 lm/ft	200 lm/ft	267 lm/ft	428 lm/ft
<b>Average Power Consumption</b> <small>(for a 4' section)</small>	2.8 W/ft	4.8 W/ft	6 W/ft	1.9 W/ft	2.8 W/ft	3.5 W/ft	6.5 W/ft
<b>Efficacy</b>	53 lm/W	50 lm/W	49 lm/W	76 lm/W	71 lm/W	76 lm/W	66 lm/W
<b>Max Run Length</b> <small>(in series)</small>	40 ft	31 ft	22 ft	48 ft	42 ft	33 ft	21 ft
<b>Ambient Operating Temperature Range*</b>	-15°F - 125°F (-25°C - 50°C)		-15°F - 115°F (-25°C - 45°C)	-15°F - 125°F (-25°C - 50°C)			-15°F - 115°F (-25°C - 45°C)

\*Ambient Operating Temperature Range to maintain L70 of 50k+ hours in normal mounting conditions for the fixture. Exceeding Ambient Operating Temperature Range may result in decreased life/output. Consult Technical Support for specific inquiries.

**High Color Quality (72)**

CCT	Multiplier <small>(reference - 3000K)</small>	CRI	TM-30		
			R <sub>f</sub>	R <sub>g</sub>	R <sub>9</sub>
2700K	0.97	97	96	99	93
3000K	1.00	96	95	99	92
3500K	1.01	96	95	100	94
4000K	1.34	97	96	102	92

**High Efficacy (HE48)**

CCT	Multiplier <small>(reference - 3000K)</small>	CRI	TM-30		
			R <sub>f</sub>	R <sub>g</sub>	R <sub>9</sub>
2700K	0.94	92	90	99	46
3000K	1.00	92	89	99	62
3500K	1.02	92	89	99	58
4000K	1.02	92	86	94	52

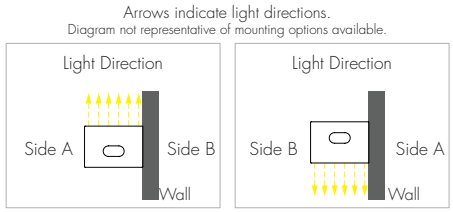
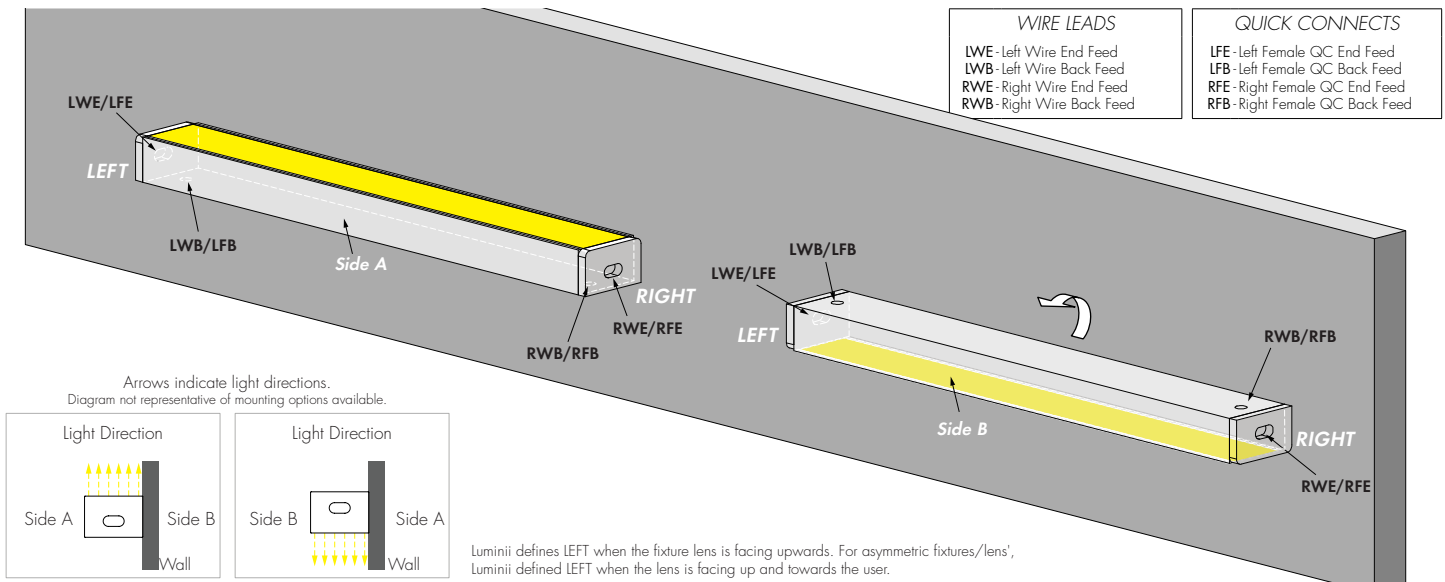
**Ordering Code**

MODEL	LENGTH <sup>1</sup>	OUTPUT <sup>2</sup>	CCT	LENS	MOUNTING	FINISH <sup>3</sup>	FEED POSITION LEFT <sup>5</sup>	FEED POSITION RIGHT <sup>5</sup>
MKW - Myka Wet	12"-144" 1" increments	72SO - Standard 72HO - High 72VHO - Very High	27K - 2700K 30K - 3000K 35K - 3500K 40K - 4000K	C - Clear F - Frosted	CB - Concealed Bracket A - Adjustable Hinge Mounting	<b>BASE</b> SA - Silver Anodized  <b>POWDER COAT</b> BK - Black BZ - Bronze WH - White	<b>WIRE LEADS (72")</b> LWE - Wire End Feed LWB - Wire Back Feed LNPF - No Power Feed	<b>WIRE LEADS (72")</b> RWE - Wire End Feed RWB - Wire Back Feed RNPF - No Power Feed
	12"-144" 2" increments	HE48LO - Low HE48SO - Standard HE48MO - Medium HE48HO - High	27K - 2700K 30K - 3000K 35K - 3500K 40K - 4000K			<b>PREMIUM</b> MBK - Matte Black WNI - Warm Nickel AB - Aged Brass PG - Polished Gold <sup>4</sup> CH - Chrome <sup>4</sup>	<b>QUICK CONNECTS (4")</b> LFE - Female Q/C, End Feed LFB - Female Q/C, Back Feed LNPF - No Power Feed	<b>QUICK CONNECTS (4")</b> RFE - Female Q/C, End Feed RFB - Female Q/C, Back Feed RNPF - No Power Feed

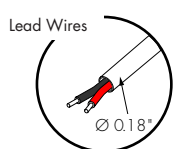
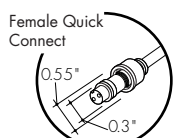
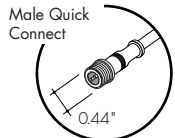
1 - Custom lengths and increments are available, please consult Inside Sales with specific request. 2 - All High Efficacy options can be used to comply with Title 24 JAB. High Color Quality options can be used to comply with Title 24 JAB depending on Output, CCT, and lens selections. See multiplier charts to calculate specific efficacies. 3 - Non Base finishes may have extended lead times and address, Custom RALs are available, please consult Inside Sales with specific request. 4 - Polished Gold and Chrome finishes have a maximum fixture length of 96". 5 - LNPF - RNPF is not a valid configuration option

**Powerfeeds and Connectors**

**Power Feed Position Options and Orientation**

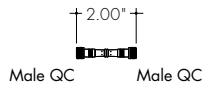


**Linking and Extension Cable Options**



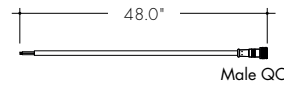
**WET-FMA-2-2**

Female to Male Adapter, 2 pin



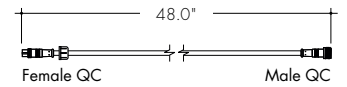
**WET-CON-LEAD-M-2-48**

Male Wet Connector Cable, 2 pin, 48"

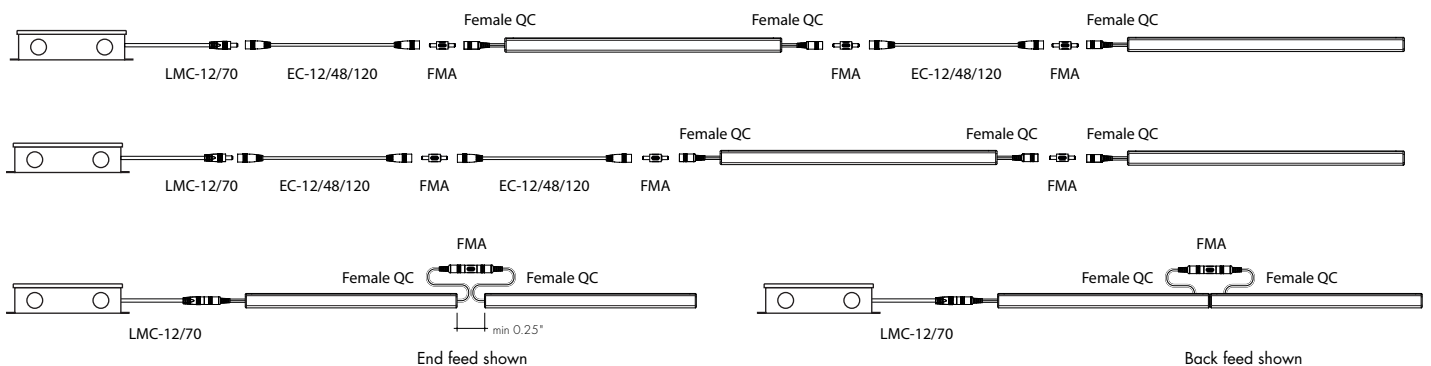


**WET-CON-JC-F-M-2-48**

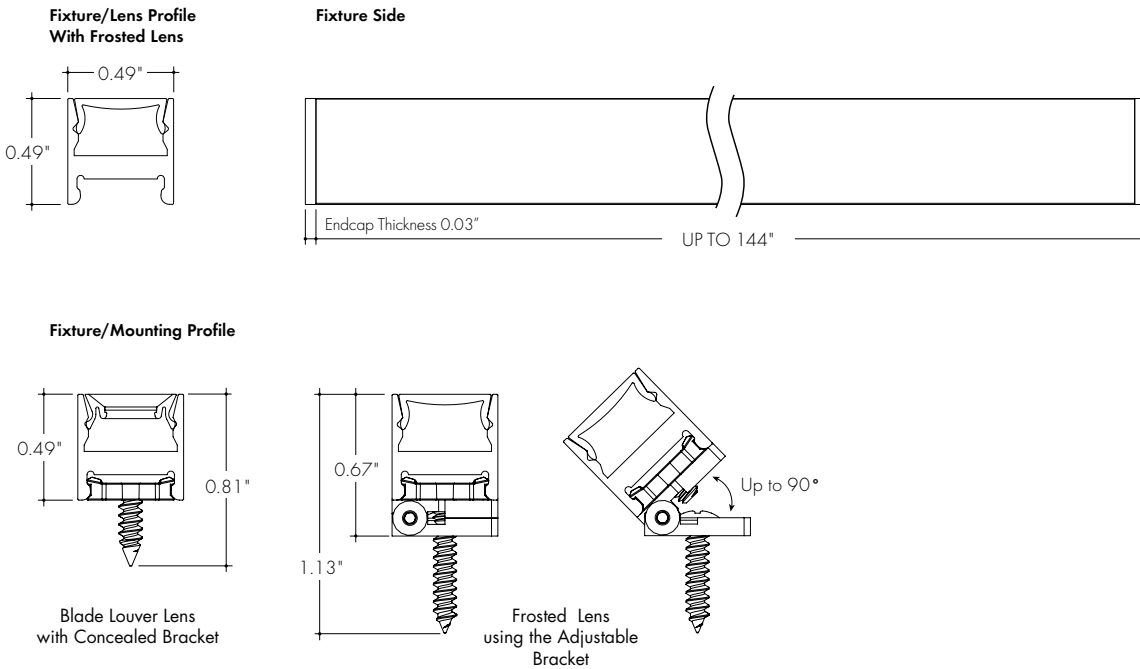
Female/Male Wet Jumper Cable, 2 pin, 48"



**Sample Layout**



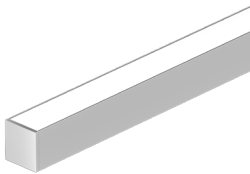
**Product Dimensions**



**Finish Options**

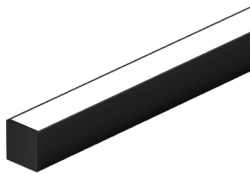
- Finish options are available in a wide variety, allowing for complete customization of style and aesthetic.
- Non Base finishes may have extended lead times and price adder.
- Polished Gold and Chrome finishes have a maximum fixture length of 96".
- Custom RALs are available, please consult Inside Sales with specific request.

**Silver Anodized Base**



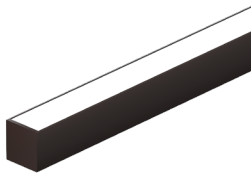
Silver Anodized is a soft silver with a clear finish.

**Black Powder Coat**



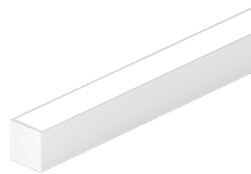
Black is a true deep black with a glossy finish.

**Bronze Powder Coat**



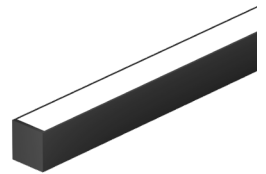
Bronze is a rich, dark brown with a satin finish.

**White Powder Coat**



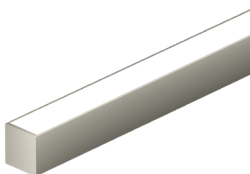
White is a polar bright white and field paintable.

**Matte Black Premium**



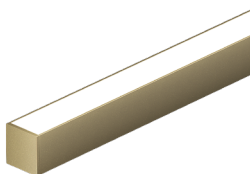
Matte Black is a dark, pitch-black with a soft flat finish.

**Warm Nickel Premium**



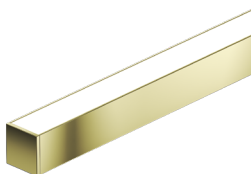
Warm Nickel is a soft, silvery smoke with warm tones and a satin finish.

**Aged Brass Premium**



Aged Brass is a deep brown shade with slightly golden undertones.

**Polished Gold Premium**



Polished Gold is bright and radiant for a brilliant finish.

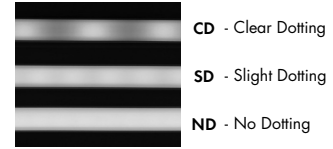
**Chrome Premium**



Chrome is a highly reflective silver polish.

Light Transmission and Dotting

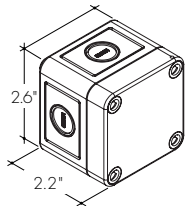
Output Options	Lens/Accessory							
	Clear Lens				Frosted Lens			
Dimming Level	100%	50%	10%	1%	100%	50%	10%	1%
72SO	CD	CD	CD	CD	ND	ND	ND	SD
72HO	CD	CD	CD	CD	ND	ND	ND	SD
72VHO	CD	CD	CD	CD	ND	ND	ND	SD
HE48LO	CD	CD	CD	CD	ND	SD	SD	CD
HE48SO	CD	CD	CD	CD	ND	SD	SD	CD
HE48MO	CD	CD	CD	CD	ND	SD	SD	CD
HE48HO	CD	CD	CD	CD	ND	SD	SD	CD
<b>Transmission Percentage</b>	100%				58%			



Accessory Options

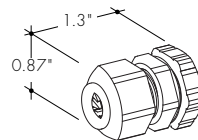
LVSP-WET

Splice box: wet rated, low voltage, gray



LVSP-WET-CM

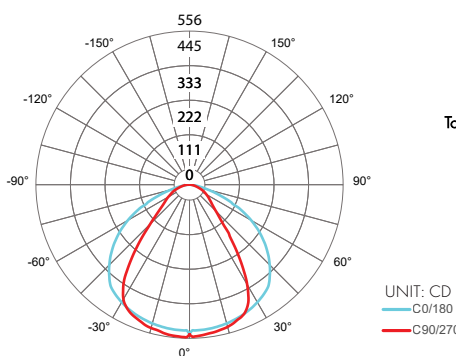
Connector for splice box, low voltage for cable management, gray.



Photometry

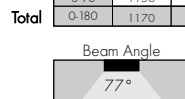
MKW-48-72VHO-30K-C

Myka Surface Wet, 4ft, 72VHO, 3000K, Clear Lens



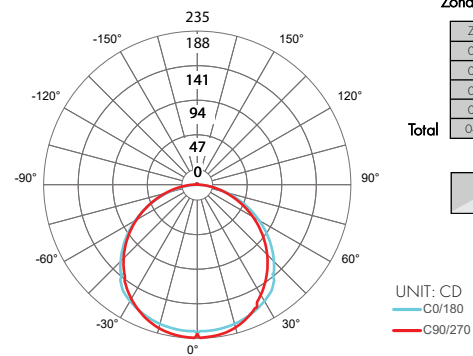
Zonal Lumen Summary 3000K

Zone	Lumen	% Fixture
0-30	404	34.5%
0-40	655	56.0%
0-60	1014	86.7%
0-90	1156	98.8%
0-180	1170	100%



MKW-48-72VHO-30K-F

Myka Surface Wet, 4ft, 72VHO, 3000K, Half-Frosted Lens



Zonal Lumen Summary 3000K

Zone	Lumen	% Fixture
0-30	175	25.8%
0-40	291	42.8%
0-60	522	76.8%
0-90	672	98.8%
0-180	680	100%



**Power Consumption**

Tested at Full Power with PS-UNI Series power supplies.

Standard Nominal Lengths offered provide minimal shadowing. For alternate lengths, please consult Inside Sales with specific request.

**High Color Quality (72)**

Nominal Length (in)	Actual Length	Watts			Nominal Length (in)	Actual Length	Watts			Nominal Length (in)	Actual Length	Watts			Nominal Length (in)	Actual Length	Watts		
		SO	HO	VHO			SO	HO	VHO			SO	HO	VHO					
12	11 4/16	2.7	4.4	6.2	47	-	-	-	82	81 14/16	18.3	29.5	38.4	117	116 10/16	25.9	40.8	52.4	
13	12 6/16	2.7	4.4	6.2	48	47 2/16	10.5	17.4	23.1	83	-	-	-	118	117 12/16	26.1	41.1	52.8	
14	13 9/16	2.9	4.8	6.7	49	48 5/16	10.7	17.8	23.5	84	83	18.5	29.8	38.8	119	118 15/16	26.3	41.4	53.2
15	14 11/16	3.1	5.2	7.3	50	49 7/16	11.1	18.6	24.4	85	84 3/16	18.7	30.1	39.2	120	-	-	-	
16	15 14/16	3.4	5.6	7.8	51	50 10/16	11.4	18.9	24.9	86	85 5/16	19.2	30.8	40.0	121	120 1/16	26.5	41.7	53.6
17	-	-	-	-	52	51 12/16	11.6	19.3	25.3	87	86 8/16	19.4	31.1	40.4	122	121 4/16	26.7	42.0	54.0
18	17	3.6	6.0	8.3	53	52 15/16	11.9	19.7	25.7	88	87 10/16	19.6	31.5	40.8	123	122 6/16	27.1	42.6	54.7
19	18 3/16	3.9	6.5	8.9	54	-	-	-	89	88 13/16	19.9	31.8	41.1	124	123 9/16	27.3	42.9	55.0	
20	19 5/16	4.4	7.3	9.9	55	54 1/16	12.1	20.1	26.1	90	90	20.1	32.2	41.5	125	124 11/16	27.5	43.1	55.4
21	20 8/16	4.6	7.7	10.5	56	55 4/16	12.3	20.5	26.6	91	-	-	-	126	125 14/16	27.7	43.4	55.7	
22	21 10/16	4.8	8.1	11.0	57	56 6/16	12.8	21.3	27.4	92	91 2/16	20.4	32.5	41.9	127	-	-	-	
23	22 13/16	5.1	8.6	11.5	58	57 9/16	13.1	21.6	27.8	93	92 5/16	20.6	32.9	42.3	128	127	27.9	43.7	56.1
24	24	5.3	9.0	12.1	59	58 11/16	13.3	22.0	28.3	94	93 7/16	21.1	33.6	43.1	129	128 3/16	28.1	43.9	56.4
25	-	-	-	-	60	59 14/16	13.6	22.4	28.7	95	94 10/16	21.3	33.9	43.4	130	129 5/16	28.5	44.5	57.1
26	25 2/16	5.6	9.4	12.6	61	-	-	-	96	95 12/16	21.5	34.2	43.8	131	130 8/16	28.7	44.7	57.4	
27	26 5/16	5.8	9.8	13.1	62	61	13.8	22.8	29.1	97	96 15/16	21.8	34.6	44.2	132	131 11/16	28.9	45.0	57.8
28	27 7/16	6.2	10.5	14.1	63	62 3/16	14.0	23.1	29.6	98	-	-	-	133	132 13/16	29.1	45.3	58.1	
29	28 10/16	6.5	10.9	14.5	64	63 5/16	14.5	23.8	30.5	99	98 1/16	22.0	34.9	44.6	134	134	29.3	45.5	58.4
30	29 12/16	6.7	11.2	15.0	65	64 8/16	14.7	24.1	31.0	100	99 4/16	22.2	35.2	45.0	135	-	-	-	
31	30 15/16	6.9	11.6	15.5	66	65 10/16	14.9	24.4	31.4	101	100 6/16	22.5	35.9	45.9	136	135 2/16	29.5	45.7	58.7
32	-	-	-	-	67	66 13/16	15.1	24.7	31.9	102	101 9/16	22.7	36.2	46.3	137	136 5/16	29.6	45.9	59.1
33	32 1/16	7.1	12.0	16.0	68	68	15.3	25.0	32.4	103	102 11/16	22.9	36.5	46.7	138	137 7/16	30.0	46.3	59.7
34	33 4/16	7.3	12.3	16.5	69	-	-	-	104	103 14/16	23.1	36.8	47.1	139	138 10/16	30.2	46.5	60.0	
35	34 6/16	7.8	13.1	17.4	70	69 2/16	15.5	25.4	32.8	105	-	-	-	140	139 12/16	30.3	46.8	60.3	
36	35 9/16	8.0	13.4	17.9	71	70 5/16	15.8	25.7	33.3	106	105	23.3	37.1	47.5	141	140 15/16	30.5	47.0	60.6
37	36 11/16	8.2	13.8	18.4	72	71 7/16	16.2	26.3	34.2	107	106 3/16	23.5	37.4	48.0	142	-	-	-	
38	37 14/16	8.4	14.2	18.9	73	72 10/16	16.4	26.6	34.7	108	107 5/16	23.9	38.1	48.8	143	142 1/16	30.7	47.2	61.0
39	-	-	-	-	74	73 12/16	16.6	26.9	35.1	109	108 8/16	24.1	38.4	49.2	144	143 4/16	30.8	47.4	61.3
40	39	8.7	14.5	19.3	75	74 15/16	16.8	27.3	35.5	110	109 11/16	24.3	38.7	49.6					
41	40 3/16	8.9	14.9	19.8	76	-	-	-	111	110 13/16	24.5	39.0	50.0						
42	41 5/16	9.3	15.6	20.7	77	76 1/16	17.1	27.6	35.9	112	112	24.8	39.3	50.4					
43	42 8/16	9.6	16.0	21.2	78	77 4/16	17.3	27.9	36.3	113	-	-	-						
44	43 10/16	9.8	16.4	21.7	79	78 6/16	17.7	28.5	37.2	114	113 2/16	25.0	39.6	50.8					
45	44 13/16	10.0	16.7	22.1	80	79 9/16	17.9	28.9	37.6	115	114 5/16	25.2	39.9	51.2					
46	46	10.2	17.1	22.6	81	80 11/16	18.1	29.2	38.0	116	115 7/16	25.6	40.5	52.0					

**Power Consumption**

Tested at Full Power with PS-UNI Series power supplies.

Standard Nominal Lengths offered provide minimal shadowing. For alternate lengths, please consult Inside Sales with specific request.

**High Efficacy (HE48)**

Nominal Length (in)	Actual Length	Watts				Nominal Length (in)	Actual Length	Watts				Nominal Length (in)	Actual Length	Watts				Nominal Length (in)	Actual Length	Watts			
		LO	SO	MO	HO			LO	SO	MO	HO			LO	SO	MO	HO			LO	SO	MO	HO
12	10 10/16	1.7	2.5	3.5	5.7	47	46 1/16	6.9	10.7	13.3	24.7	82	81 8/16	12.5	19.9	23.9	42.2	117	116 15/16	17.5	27.7	34.3	58.7
13	12 10/16	1.7	2.5	3.5	5.7	48	-	-	-	-	-	83	-	-	-	-	-	118	-	-	-	-	
14	-	-	-	-	-	49	48 1/16	7.1	11.2	13.9	25.4	84	83 8/16	12.8	20.3	24.5	43.1	119	118 15/16	17.8	28.1	34.9	59.6
15	14 9/16	2.0	3.0	4.0	7.2	50	-	-	-	-	-	85	-	-	-	-	-	120	-	-	-	-	
16	-	-	-	-	-	51	50	7.4	11.7	14.5	26.3	86	85 7/16	13.1	20.8	25.1	44.1	121	120 14/16	18.1	28.6	35.5	60.5
17	16 9/16	2.4	3.5	4.6	8.7	52	52	7.7	12.3	15.1	27.4	87	-	-	-	-	-	122	-	-	-	-	
18	-	-	-	-	-	53	-	-	-	-	-	88	87 7/16	13.4	21.3	25.7	45.0	123	122 14/16	18.3	29.0	36.0	62.1
19	18 8/16	2.7	3.9	5.2	10.2	54	53 15/16	8.0	12.9	15.7	28.5	89	-	-	-	-	-	124	-	-	-	-	
20	-	-	-	-	-	55	-	-	-	-	-	90	89 6/16	13.7	21.7	26.3	46.0	125	124 13/16	18.4	29.5	36.6	63.8
21	20 8/16	3.0	4.4	5.8	11.7	56	55 15/16	8.4	13.5	16.4	29.5	91	-	-	-	-	-	126	-	-	-	-	
22	-	-	-	-	-	57	-	-	-	-	-	92	91 6/16	14.0	22.1	26.9	47.0	127	126 13/16	18.6	29.9	37.2	65.4
23	22 7/16	3.4	4.9	6.4	13.2	58	57 14/16	8.7	14.0	17.0	30.6	93	-	-	-	-	-	128	-	-	-	-	
24	-	-	-	-	-	59	-	-	-	-	-	94	93 5/16	14.3	22.6	27.5	47.9	129	128 12/16	18.8	30.4	37.7	67.0
25	24 7/16	3.7	5.4	7.0	14.7	60	59 14/16	9.0	14.6	17.6	31.6	95	-	-	-	-	-	130	-	-	-	-	
26	-	-	-	-	-	61	-	-	-	-	-	96	95 5/16	14.4	22.8	27.8	48.4	131	130 12/16	18.9	30.8	38.3	68.6
27	26 6/16	4.1	5.9	7.5	15.8	62	61 13/16	9.4	15.2	18.2	32.6	97	-	-	-	-	-	132	-	-	-	-	
28	-	-	-	-	-	63	-	-	-	-	-	98	97 4/16	14.7	23.3	28.5	49.4	133	132 11/16	19.1	31.2	38.9	70.2
29	28 6/16	4.4	6.4	8.1	16.8	64	63 13/16	9.7	15.6	18.7	33.7	99	-	-	-	-	-	134	-	-	-	-	
30	-	-	-	-	-	65	-	-	-	-	-	100	99 4/16	15.0	23.7	29.0	50.4	135	134 11/16	19.3	31.8	39.4	70.7
31	30 5/16	4.8	6.9	8.7	17.9	66	65 12/16	10.0	16.1	19.2	34.7	101	-	-	-	-	-	136	-	-	-	-	
32	-	-	-	-	-	67	-	-	-	-	-	102	101 3/16	15.3	24.1	29.6	51.3	137	136 10/16	19.5	32.3	40.0	71.2
33	32 5/16	5.0	7.2	9.0	18.5	68	67 12/16	10.4	16.5	19.8	35.7	103	-	-	-	-	-	138	-	-	-	-	
34	-	-	-	-	-	69	-	-	-	-	-	104	103 3/16	15.6	24.6	30.2	52.3	139	138 10/16	19.8	32.8	40.6	71.8
35	34 4/16	5.4	7.7	9.6	19.5	70	69 11/16	10.7	17.0	20.3	36.7	105	-	-	-	-	-	140	-	-	-	-	
36	-	-	-	-	-	71	-	-	-	-	-	106	105 2/16	15.8	25.0	30.7	53.2	141	140 9/16	20.0	33.3	41.1	72.3
37	36 4/16	5.7	8.2	10.2	20.6	72	71 11/16	11.0	17.4	20.8	37.7	107	-	-	-	-	-	142	-	-	-	-	
38	-	-	-	-	-	73	-	-	-	-	-	108	107 2/16	16.1	25.5	31.3	54.2	143	142 9/16	20.2	33.9	41.7	72.8
39	38 3/16	6.0	8.7	10.8	21.5	74	73 10/16	11.3	17.9	21.4	38.7	109	-	-	-	-	-	144	-	-	-	-	
40	-	-	-	-	-	75	-	-	-	-	-	110	109 1/16	16.4	25.9	31.9	55.2						
41	40 3/16	6.2	9.2	11.4	22.3	76	75 10/16	11.6	18.4	22.0	39.6	111	-	-	-	-	-						
42	-	-	-	-	-	77	-	-	-	-	-	112	111 1/16	16.7	26.4	32.5	56.1						
43	42 2/16	6.4	9.7	12.0	23.1	78	77 9/16	11.9	18.9	22.7	40.5	113	-	-	-	-	-						
44	-	-	-	-	-	79	-	-	-	-	-	114	113	17.0	26.8	33.1	57.0						
45	44 2/16	6.7	10.2	12.6	23.9	80	79 9/16	12.2	19.4	23.3	41.4	115	115	17.3	27.3	33.7	57.9						
46	-	-	-	-	-	81	-	-	-	-	-	116	-	-	-	-	-						

### Voltage Drop Calculator

The below chart assumes nominal voltage of 24 Volts and a Voltage Drop Allowance of 3% through the wire

Wattage [W]	Maximum Wire Length From Power Supply to Start of Run [ft]						
	12 AWG	14 AWG	16 AWG	18 AWG	20 AWG	22 AWG	24 AWG
<b>5</b>	1088.2	684.4	430.3	270.6	170.2	107.1	67.3
<b>10</b>	544.1	342.2	215.1	135.3	85.1	53.5	33.7
<b>15</b>	362.7	228.1	143.4	90.2	56.7	35.7	22.4
<b>20</b>	272.0	171.1	107.6	67.7	42.6	26.8	16.8
<b>25</b>	217.6	136.9	86.1	54.1	34.0	21.4	13.5
<b>30</b>	181.4	114.1	71.7	45.1	28.4	17.8	11.2
<b>35</b>	155.5	97.8	61.5	38.7	24.3	15.3	9.6
<b>40</b>	136.0	85.5	53.8	33.8	21.3	13.4	8.4
<b>45</b>	120.9	76.0	47.8	30.1	18.9	11.9	7.5
<b>50</b>	108.8	68.4	43.0	27.1	17.0	10.7	6.7
<b>55</b>	98.9	62.2	39.1	24.6	15.5	9.7	6.1
<b>60</b>	90.7	57.0	35.9	22.6	14.2	8.9	5.6
<b>65</b>	83.7	52.6	33.1	20.8	13.1	8.2	5.2
<b>70</b>	77.7	48.9	30.7	19.3	12.2	7.6	4.8
<b>75</b>	72.5	45.6	28.7	18.0	11.3	7.1	4.5
<b>80</b>	68.0	42.8	26.9	16.9	10.6	6.7	4.2
<b>85</b>	64.0	40.3	25.3	15.9	10.0	6.3	4.0
<b>90</b>	60.5	38.0	23.9	15.0	9.5	5.9	3.7
<b>96</b>	56.7	35.6	22.4	14.1	8.9	5.6	3.5

### Power Supplies

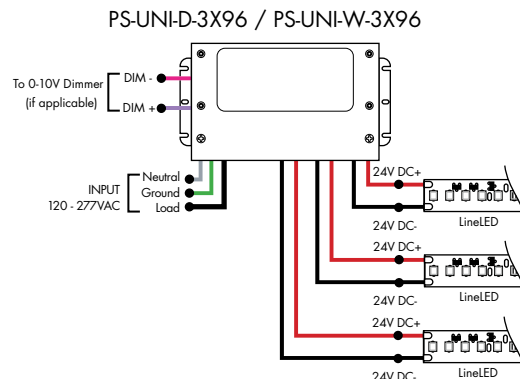
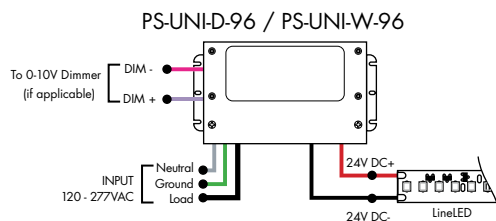
See Power Supply instructions and spec sheet for wiring information. For a complete list of compatible dimmers, see Compatible Dimming Chart on the Resources page.

#### Ordering Code Universal Dimming Power Supplies 1% 120VAC - 277VAC

MODEL	INPUT CONTROL	ENVIRONMENT	WATTAGE	OUTPUT
PS-Power Supply, 120-277VAC	UNI-0-10V Dimming, Phase Dimming	D-Dry W-Wet	30-30 Watts 60-60 Watts 96-96 Watts 3x96-3x96 Watts	24-24 VDC

Compatibility: View a complete list of compatible dimmers on product page [\(Link\)](#)

0-10V - 1% dimming  
MLV/ELV/TRIAC - 1% dimming, consult dimming compatibility chart



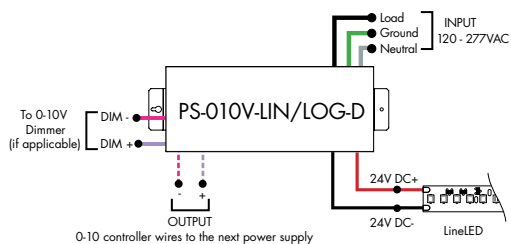
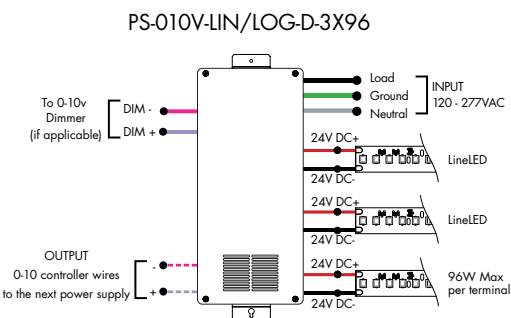
MODELS	PS-UNI-W-30W	PS-UNI-W-60W	PS-UNI-W-96W	PS-UNI-W-3X96W
Length	6.50"	7.40"	8.66"	11.85"
Width	3.73"	3.73"	3.73"	4.32"
Depth	1.61"	1.61"	1.61"	1.81"

MODELS	PS-UNI-D-30W	PS-UNI-D-60W	PS-UNI-D-96W	PS-UNI-D-3X96W
Length	8.77"	8.77"	8.11"	9.94"
Width	4.27"	4.27"	5.60"	7.61"
Depth	1.83"	1.83"	1.83"	2.02"

#### Ordering Code 0-10V Dimming Power Supplies 0.1% 120VAC - 277VAC

MODEL	INPUT CONTROL	ENVIRONMENT	WATTAGE	OUTPUT
PS-Power Supply, 120-277VAC	010V-LIN-0-10V Dimming (0.1%), Linear 010V-LOG-0-10V Dimming (0.1%), Logarithmic	D-Dry	96-96 Watts 3X96-3x96 Watts	24-24 VDC

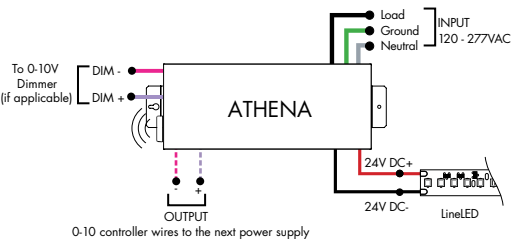
MODELS	96W	3X96
Length	14.40"	15.00"
Width	5.20"	6.62"
Depth	2.60"	4.45"



#### Athena 0-10V LED Driver

MODEL	INPUT CONTROL	ENVIRONMENT	WATTAGE	OUTPUT	FEATURE
PS-Power Supply, 120-277VAC	010V-LIN-0-10V Dimming, Linear 010V-LOG-0-10V Dimming, Logarithmic	D-Dry	96-96 W	24-24 VDC	AWNR-Athena

MODELS	96W
Length	14.40"
Width	5.20"
Depth	2.60"





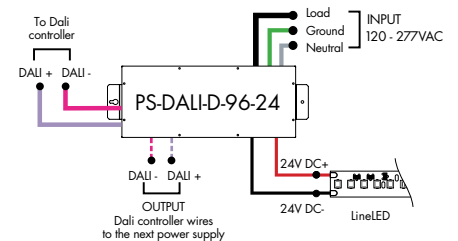
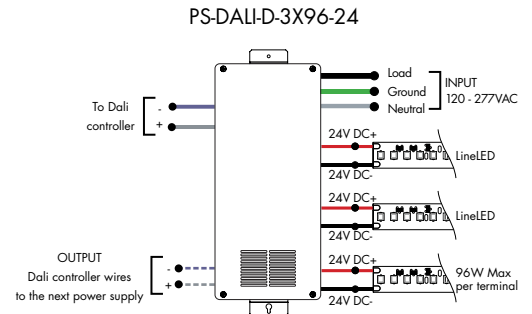
**Power Supplies**

See Power Supply instructions and spec sheet for wiring information. For a complete list of compatible dimmers, see Compatible Dimming Chart on the Resources page.

**Ordering Code DALI1 Dimming Power Supplies 0.1% 120VAC - 277VAC**

MODEL	INPUT CONTROL	ENVIRONMENT	WATTAGE	OUTPUT
PS-Power Supply, 120-277VAC	DALI-DALI (0.1%)	D-Dry	96-96 Watts 3X96-3X96 Watts	24-24 VDC

Model	96W	3X96
Length	14.40"	15.00"
Width	5.20"	6.62"
Depth	2.60"	4.56"

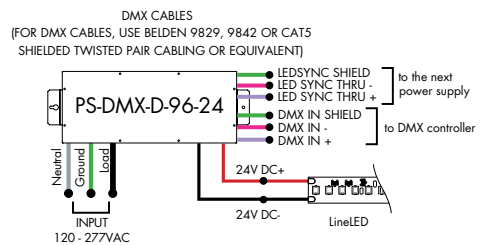
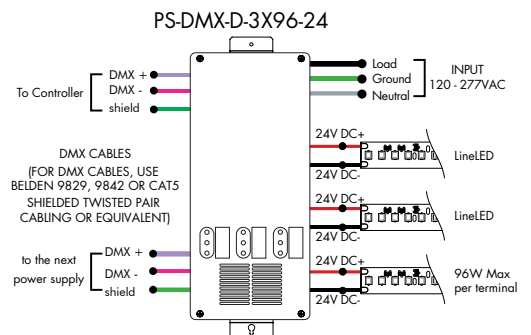


**Ordering Code DMX Dimming Power Supplies 0.1% 120VAC - 277VAC** Requires Zonal Control

MODEL	INPUT CONTROL	ENVIRONMENT	WATTAGE	OUTPUT
PS-Power Supply, 120-277VAC	DMX-DMX (0.1%)	D-Dry	96-96 Watts 3X96-3X96 Watts	24-24 VDC

\*Zonal control power supplies. Control multiple tapes/zones using DMX channels.

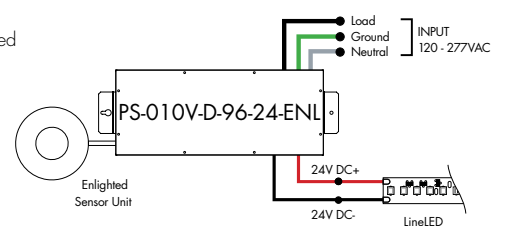
MODELS	96W	3X96
Length	14.40"	15.00"
Width	5.20"	6.62"
Depth	2.60"	4.56"



**Ordering Code Enlightened Enabled Dimming Power Supplies 1% 120VAC - 277VAC**

MODEL	INPUT CONTROL	ENVIRONMENT	WATTAGE	OUTPUT	FEATURE
PS-Power Supply, 120-277VAC	010V-0-10V Dimming (1%)	D-Dry	96-96 Watts	24-24 VDC	ENL-0-10V Enlightened

Model	96W
Length	14.40"
Width	5.20"
Depth	2.60"

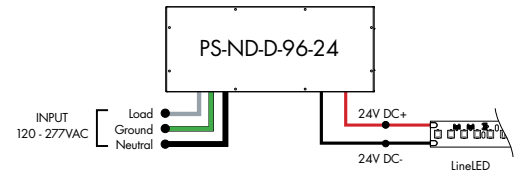


**Power Supplies**

See Power Supply instructions and spec sheet for wiring information. For a complete list of compatible dimmers, see Compatible Dimming Chart on the Resources page.

**Ordering Code Non-Dimming Power Supply 120VAC - 277VAC**

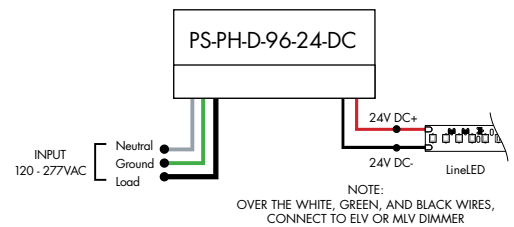
MODEL	INPUT CONTROL	ENVIRONMENT	WATTAGE	OUTPUT
PS-Power Supply, 120-277VAC	ND-Non Dimming	D-Dry	96-96 Watts	24-24 VDC



MODELS	96W
Length	14.40"
Width	5.20"
Depth	2.60"

**Ordering Code Phase Dimming Power Supply 1% 120VAC - 277VAC**

MODEL	INPUT CONTROL	ENVIRONMENT	WATTAGE	OUTPUT	OUTPUT CONTROL
PS-Power Supply, 120-277VAC	PH-Phase Dimming (Triac, ELV, MLV)	D-Dry	96-96 Watts	24-24 VDC	DC-Direct Current

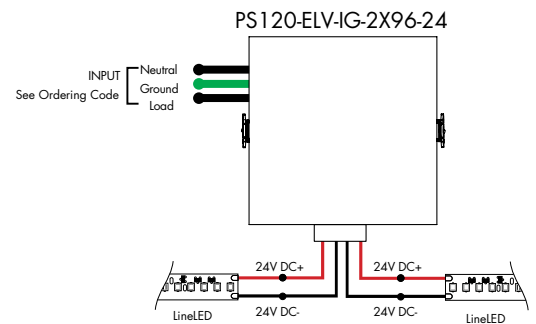


MLV/ELV/TRIAC - 1% dimming, consult dimming compatibility chart ([link](#))

MODELS	96W
Length	8.25"
Width	4.10"
Depth	1.56"

**Ordering Code In-Ground Power Supplies**

MODEL	INPUT CONTROL	ENVIRONMENT	WATTAGE	OUTPUT
PS120-Power Supply, 120VAC PS240-Power Supply, 240VAC PS277-Power Supply, 277VAC	ELV-ELV Dimming (1%)	IG-In Ground	2X96-2X96 Watts	24-24 VDC



MODELS	2X96W
Length	8.40"
Width	8.30"
Depth	8.10"

**Power Supplies**

See Power Supply instructions and spec sheet for wiring information. For a complete list of compatible dimmers, see Compatible Dimming Chart on the Resources page.



Luminii is a Lutron OEM Advantage Partner

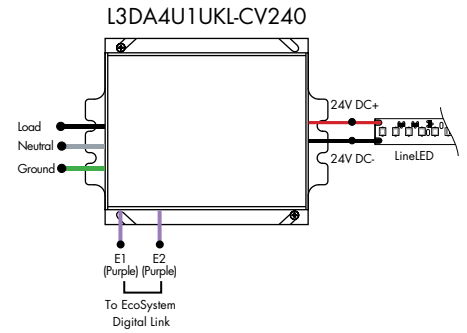
**Lutron Power Supplies 1%**

MODEL

**L3DA4U1UKL-CV240**

HiLume™ 1% EcoSystem Voltage LED driver  
40W max

MODELS	L3DA4U1UKL-CV240
<b>Length</b>	4.98"
<b>Width</b>	4.00"
<b>Depth</b>	2.62"



Luminii is a Lutron OEM Advantage Partner

**Lutron Power Supplies 0.1%**

MODEL

**L3D0-96W24V-U**

HiLume™ 0.1% EcoSystem Voltage LED Driver with Soft-On, Fade-to-Black™  
96W max

MODELS	L3D0
<b>Length</b>	10.50"
<b>Width</b>	5.50"
<b>Depth</b>	2.00"

