

# Myka Round - Installation Instructions

Models MKRO-XX

**Please read all instructions prior to installation and keep for future reference!**

1. PRODUCT TO BE INSTALLED BY A QUALIFIED ELECTRICIAN.
2. PRIOR TO INSTALLATION ENSURE POWER IS OFF AT FUSE BOX TO PREVENT ELECTRICAL SHOCK.
3. USE ONLY WITH CLASS 2 POWER SUPPLY.
4. SUITABLE FOR WET LOCATIONS.
5. SUITABLE FOR INSTALLATION WITHIN THE CLOSET STORAGE SPACE WHEN USED WITH TAPE OUTPUTS 2.8W/FT OR LESS
6. FIXTURE SHOULD BE INSTALLED BY TWO PEOPLE

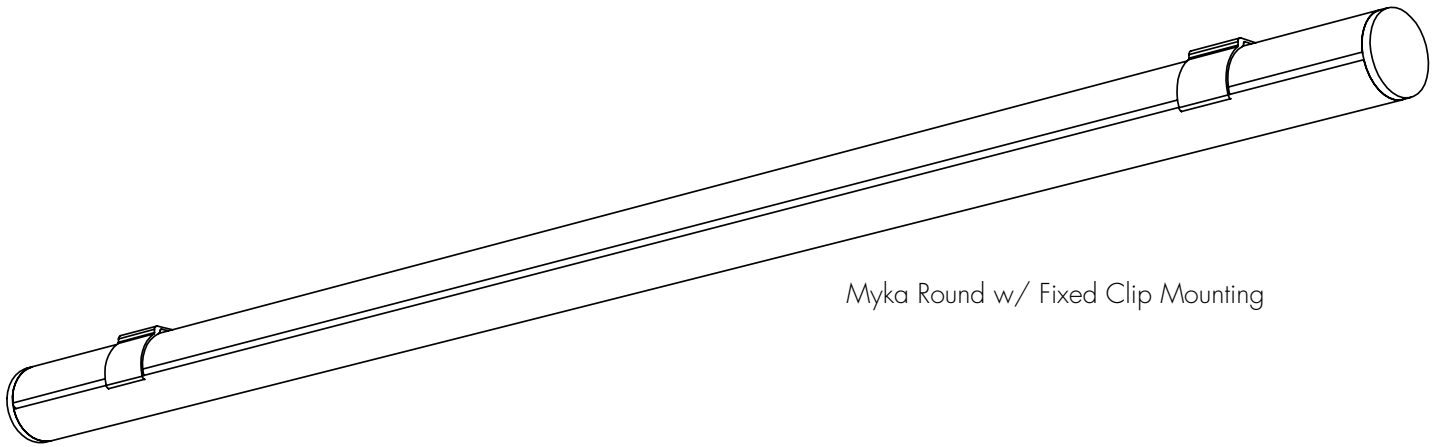


REVO.3  
10022024

1 / 4



7777 Merrimac Ave  
Niles, IL 60714  
T 224.333.6033  
F 224.757.7557  
info@luminii.com  
www.luminii.com



Myka Round w/ Fixed Clip Mounting

# Myka Round - Installation Instructions

Models MKRO-XX



7777 Merrimac Ave  
Niles, IL 60714  
T 224.333.6033  
F 224.757.7557  
info@luminii.com  
www.luminii.com

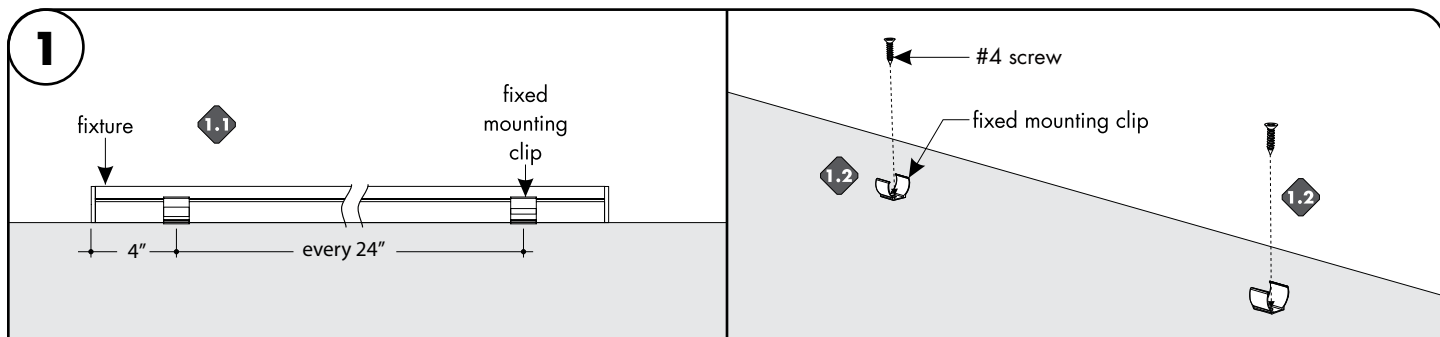
REVO.3

10022024

2 / 4

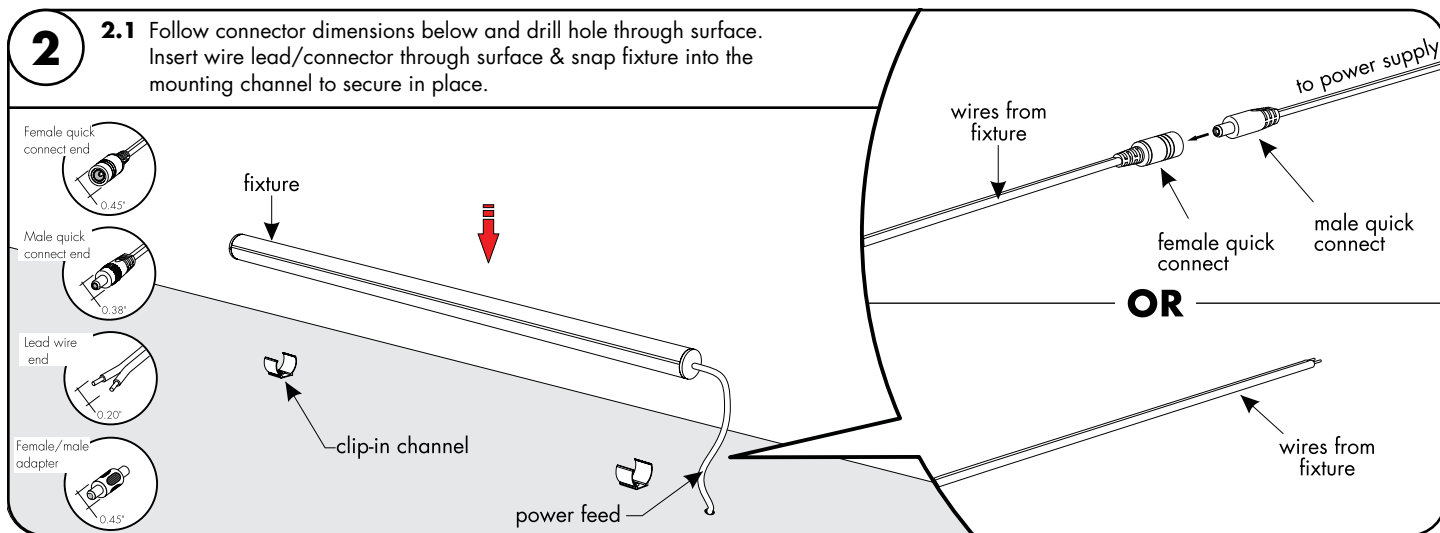
Please read all instructions prior to installation and keep for future reference!

1. PRODUCT TO BE INSTALLED BY A QUALIFIED ELECTRICIAN.
2. PRIOR TO INSTALLATION ENSURE POWER IS OFF AT FUSE BOX TO PREVENT ELECTRICAL SHOCK.
3. USE ONLY WITH CLASS 2 POWER SUPPLY.
4. SUITABLE FOR WET LOCATIONS.
5. SUITABLE FOR INSTALLATION WITHIN THE CLOSET STORAGE SPACE WHEN USED WITH TAPE OUTPUTS 2.8W/FT OR LESS
6. FIXTURE SHOULD BE INSTALLED BY TWO PEOPLE



**Note:** Refer to the power supply installation instruction for additional information.  
**Note:** More than one person is recommended for this installation.

- 1.1** Determine the location of where the fixture(s) will be installed. Lay the fixture(s) on the surface, and make any necessary reference marks for the fixed mounting clips. Make marks 4" from each end of the fixture(s) and also every 24" in between.
- 1.2** Lay the fixed clip onto the reference mark points and secure using the provided hardware.



# Myka Round - Installation Instructions

Models MKRO-XX

**Please read all instructions prior to installation and keep for future reference!**

1. PRODUCT TO BE INSTALLED BY A QUALIFIED ELECTRICIAN.
2. PRIOR TO INSTALLATION ENSURE POWER IS OFF AT FUSE BOX TO PREVENT ELECTRICAL SHOCK.
3. USE ONLY WITH CLASS 2 POWER SUPPLY.
4. SUITABLE FOR WET LOCATIONS.
5. SUITABLE FOR INSTALLATION WITHIN THE CLOSET STORAGE SPACE WHEN USED WITH TAPE OUTPUTS 2.8W/FT OR LESS
6. FIXTURE SHOULD BE INSTALLED BY TWO PEOPLE



REVO.3  
10022024

3 / 4



7777 Merrimac Ave  
Niles, IL 60714  
T 224.333.6033  
F 224.757.7557  
info@luminii.com  
www.luminii.com

## Power Supply Wiring Diagram

**Note:** Prior to installation all 24VDC wires must be present near fixture. Refer to the power supply installation instructions for additional information.



Static White  
Wiring Diagram PDF

# Myka Round - Installation Instructions

Models MKRO-XX



7777 Merrimac Ave  
Niles, IL 60714  
T 224.333.6033  
F 224.757.7557  
info@luminii.com  
www.luminii.com

Please read all instructions prior to installation and keep for future reference!

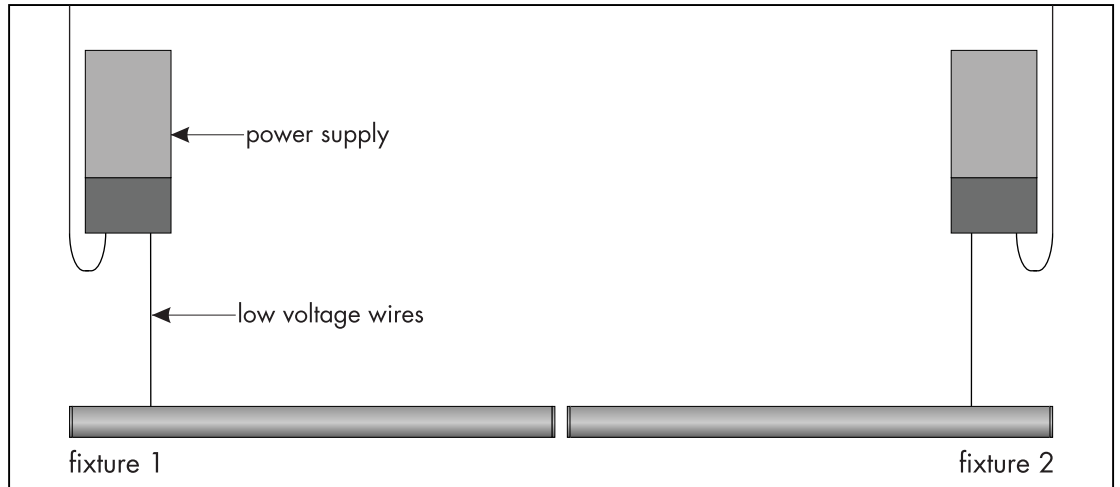
1. PRODUCT TO BE INSTALLED BY A QUALIFIED ELECTRICIAN.
2. PRIOR TO INSTALLATION ENSURE POWER IS OFF AT FUSE BOX TO PREVENT ELECTRICAL SHOCK.
3. USE ONLY WITH CLASS 2 POWER SUPPLY.
4. SUITABLE FOR WET LOCATIONS.
5. SUITABLE FOR INSTALLATION WITHIN THE CLOSET STORAGE SPACE WHEN USED WITH TAPE OUTPUTS 2.8W/FT OR LESS
6. FIXTURE SHOULD BE INSTALLED BY TWO PEOPLE

REVO.3  
10022024

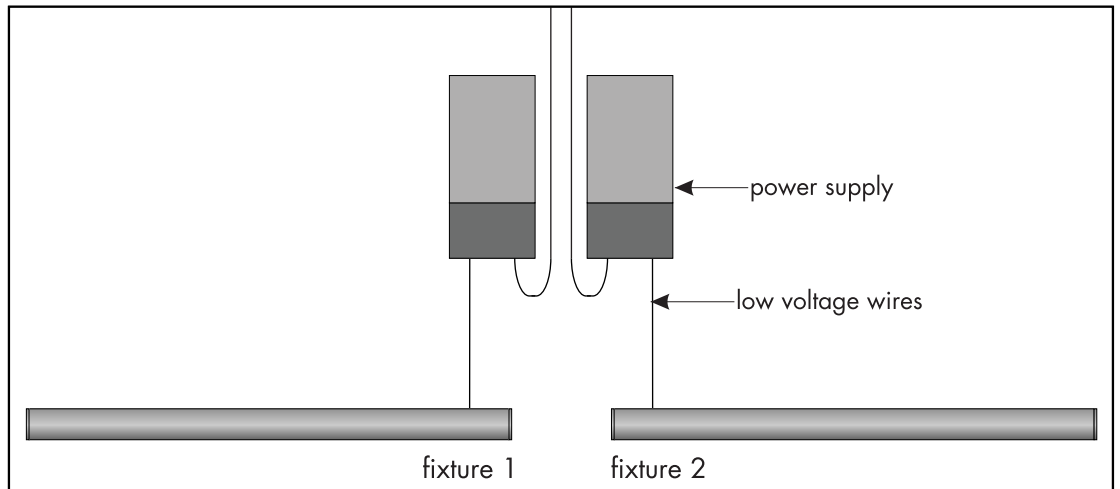
4 / 4

## multiple powerfeed layouts

### power supplies at the end of the run



### power supplies in the middle of the run



### consecutive layout, NOT RECOMMENDED

