

Myka Recessed Trimmed - Installation Instructions

Models MKRW-XX

Please read all instructions prior to installation and keep for future reference!

1. PRODUCT TO BE INSTALLED BY A QUALIFIED ELECTRICIAN.
2. USE ONLY WITH CLASS 2 POWER UNIT.
3. SUITABLE FOR WET LOCATIONS. MUST USE APPROPRIATE WEATHERPROOF RATED WIRE CONNECTORS.
4. 24 VOLTS DC.
5. TYPE IC (CEILING & WALL).
6. SUITABLE FOR GROUND MOUNTED-RECESSED, ACCESS ABOVE CEILING REQUIRED.
7. FIXTURE SHOULD BE INSTALLED BY TWO PEOPLE.

PLENUM FOR
SUCH USE IN
ACCORDANCE
WITH UL2043

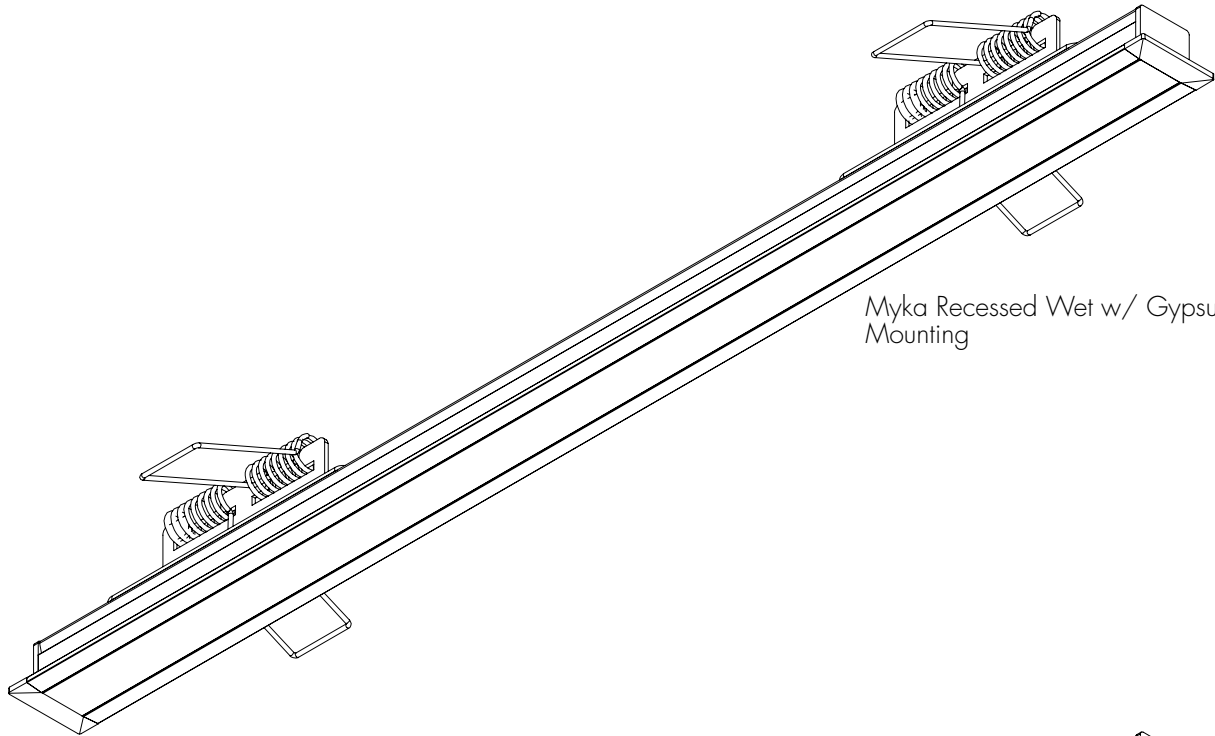


REVO.3
09292024

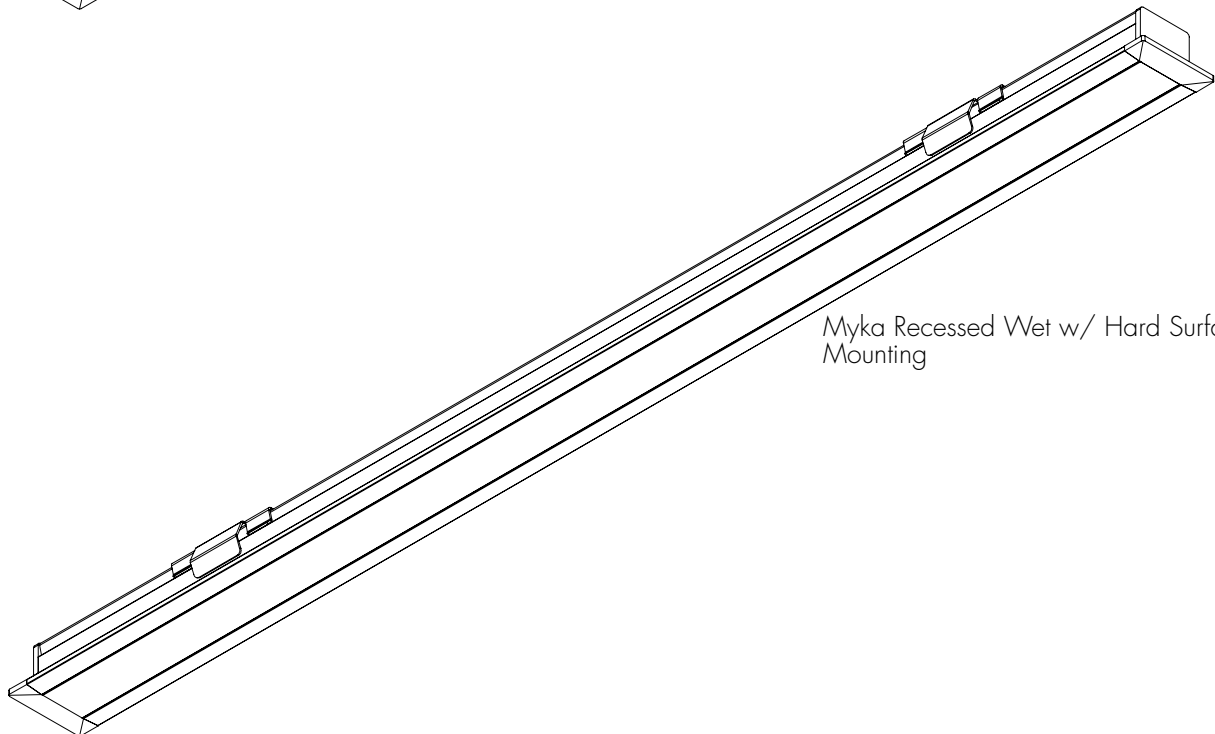
1 / 3



7777 Merrimac Ave
Niles, IL 60714
T 224.333.6033
F 224.757.7557
info@luminii.com
www.luminii.com



Myka Recessed Wet w/ Gypsum Mounting



Myka Recessed Wet w/ Hard Surface Mounting

Myka Recessed Trimmed - Installation Instructions

Models MKRW-XX



7777 Merrimac Ave
Niles, IL 60714
T 224.333.6033
F 224.757.7557
info@luminii.com
www.luminii.com

Please read all instructions prior to installation and keep for future reference!

1. PRODUCT TO BE INSTALLED BY A QUALIFIED ELECTRICIAN.
2. USE ONLY WITH CLASS 2 POWER UNIT.
3. SUITABLE FOR WET LOCATIONS. MUST USE APPROPRIATE WEATHERPROOF RATED WIRE CONNECTORS.
4. 24 VOLTS DC.
5. TYPE IC (CEILING & WALL).
6. SUITABLE FOR GROUND MOUNTED-RECESSED, ACCESS ABOVE CEILING REQUIRED.
7. FIXTURE SHOULD BE INSTALLED BY TWO PEOPLE.

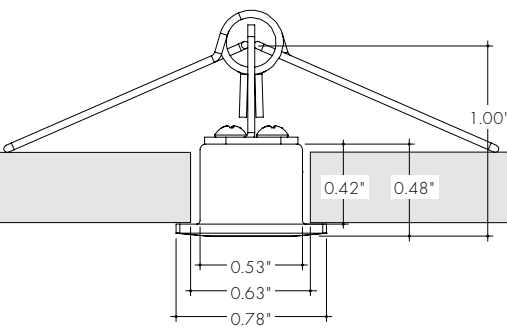
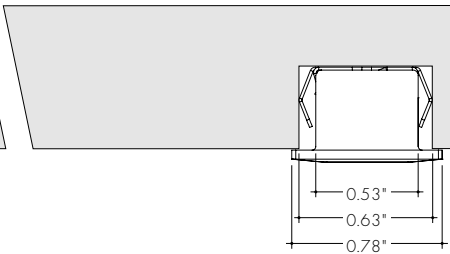
PLENUM FOR SUCH USE IN ACCORDANCE WITH UL2043

REVO.3
09292024

2 / 3

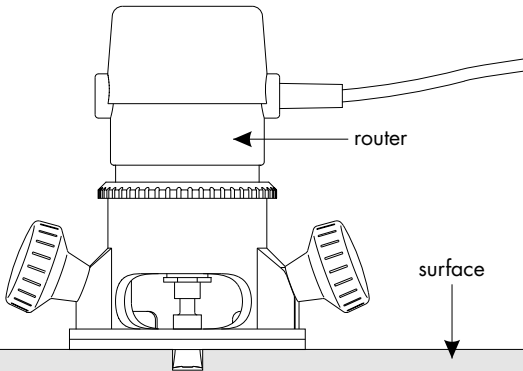
1

Note: The fixtures can be installed in various mounting materials. As long as the recessed depth is considered as shown below. These light fixtures can be installed in a up or down position. Reference specific model for accurate dimensions.

1.1 On the left is the Myka Recessed Wet with the Gypsum Mounting spring brackets. On the right is the Myka Recessed Wet with the Hard Surface Mounting brackets.

2

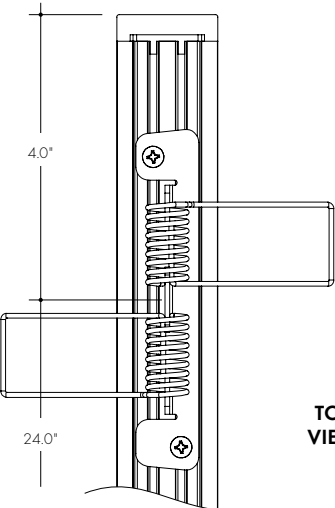


2.1 Route slots onto the surface with the proper width and depth to accommodate aluminum extrusion. Use drawing above as reference.

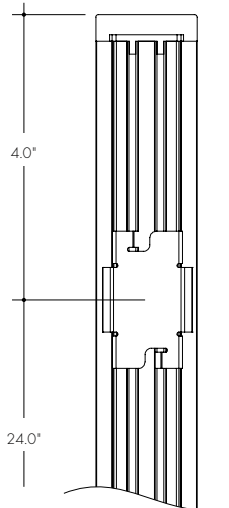
3

3.1 For mounting bracket options only:
Prior to installing the fixture, slide the mounting brackets on the back of the fixture. To evenly distribute the weight of the fixture.

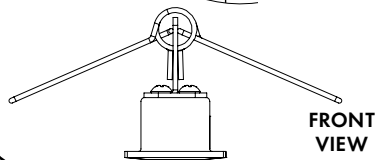
soft surface mounting bracket,
such as drywall, plaster



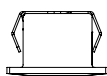
hard surface mounting bracket,
such as wood, stone, tile



FRONT VIEW



FRONT VIEW



Myka Recessed Trimmed - Installation Instructions

Models MKRW-XX



7777 Merrimac Ave
Niles, IL 60714
T 224.333.6033
F 224.757.7557
info@luminii.com
www.luminii.com

Please read all instructions prior to installation and keep for future reference!

1. PRODUCT TO BE INSTALLED BY A QUALIFIED ELECTRICIAN.
2. USE ONLY WITH CLASS 2 POWER UNIT.
3. SUITABLE FOR WET LOCATIONS. MUST USE APPROPRIATE WEATHERPROOF RATED WIRE CONNECTORS.
4. 24 VOLTS DC.
5. TYPE IC (CEILING & WALL).
6. SUITABLE FOR GROUND MOUNTED-RECESSED, ACCESS ABOVE CEILING REQUIRED.
7. FIXTURE SHOULD BE INSTALLED BY TWO PEOPLE.

PLENUM FOR SUCH USE IN ACCORDANCE WITH UL2043

REVO.3
09292024

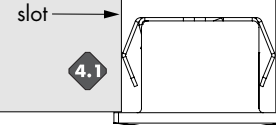
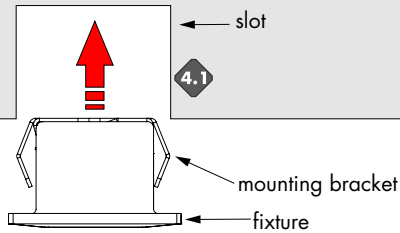
3 / 3

4

Note: Fixture wires must be considered, prior to installing. Reference wiring diagram for additional information on step 5.

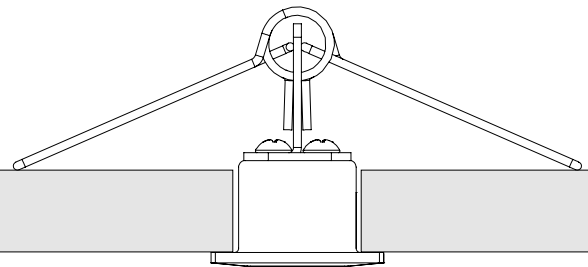
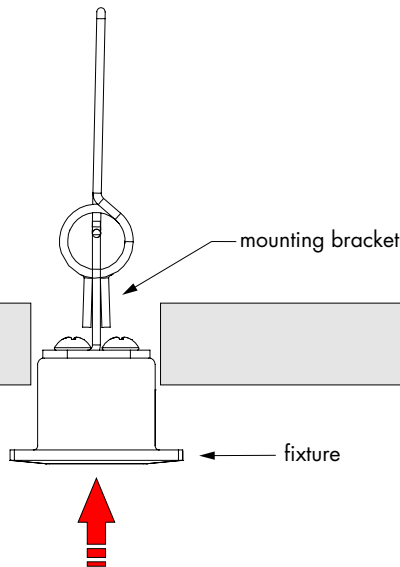
Note: Follow one of the two mounting options, to properly install fixture.

HS mounting:
Hard surface
mounting bracket



4.1 For hard surface mounting bracket option: Align the mounting brackets to the cutout slot, then carefully push the fixture completely inside to the slot to secure.

GS mounting:
Gypsum surface
mounting bracket

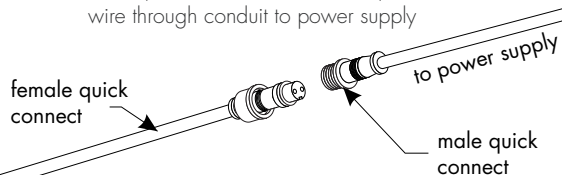


4.2 For soft surface mounting bracket option: Bend the adjustable springs to a straight position, followed by pushing the fixture completely inside the cutout slot. Then release the springs to secure.

5

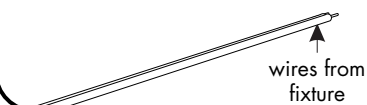
Follow one of the two options to connect the fixture to the power supply

Option 1- Secure female quick connect to male quick connect. Feed male quick connect wire through conduit to power supply

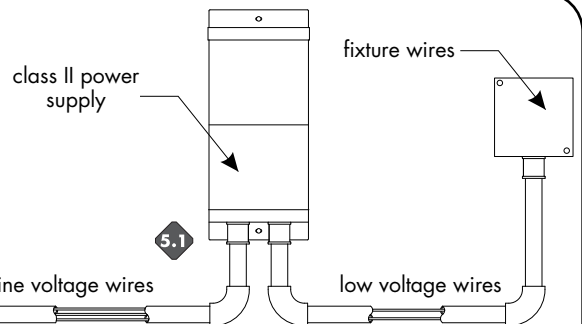


OR

Option 2- Feed wire whip to the power supply



6



6.1 Ensure the correct (wattage & voltage) power supply is used to power the fixture. Then proceed to connect the fixture wires from fixture to the power supply. For more information please refer to power supply wiring instructions.