

# Myka Recessed Asymmetric Trimmed - Installation Instructions

Models MKRA-XX

**Please read all instructions prior to installation and keep for future reference!**

1. PRODUCT TO BE INSTALLED BY A QUALIFIED ELECTRICIAN.
2. USE ONLY WITH CLASS 2 POWER UNIT.
3. 24 VOLTS DC.
4. SUITABLE FOR DAMP LOCATIONS.
5. SUITABLE FOR INSTALLATION WITHIN THE CLOSET STORAGE SPACE.
6. TYPE IC (CEILING & WALL).
7. SUITABLE FOR GROUND MOUNTED-RECESSED, ACCESS ABOVE CEILING REQUIRED.
8. FIXTURE SHOULD BE INSTALLED BY TWO PEOPLE.

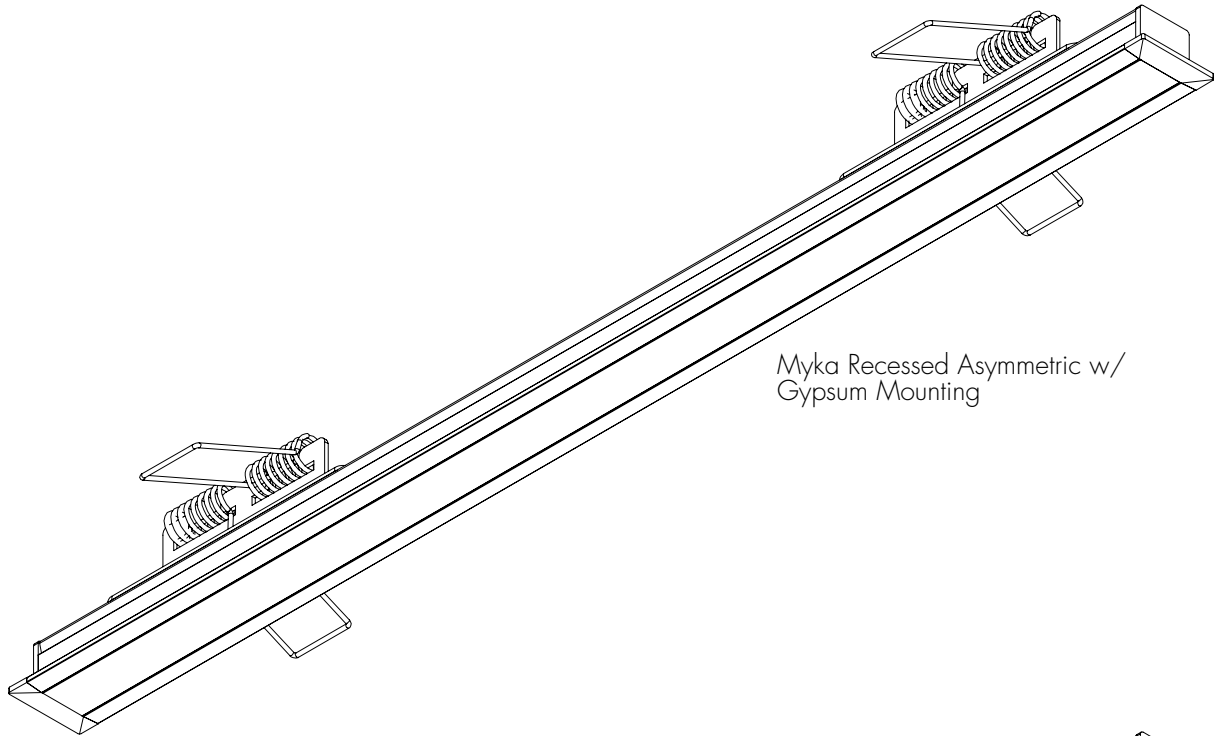


REVO.4  
01212025

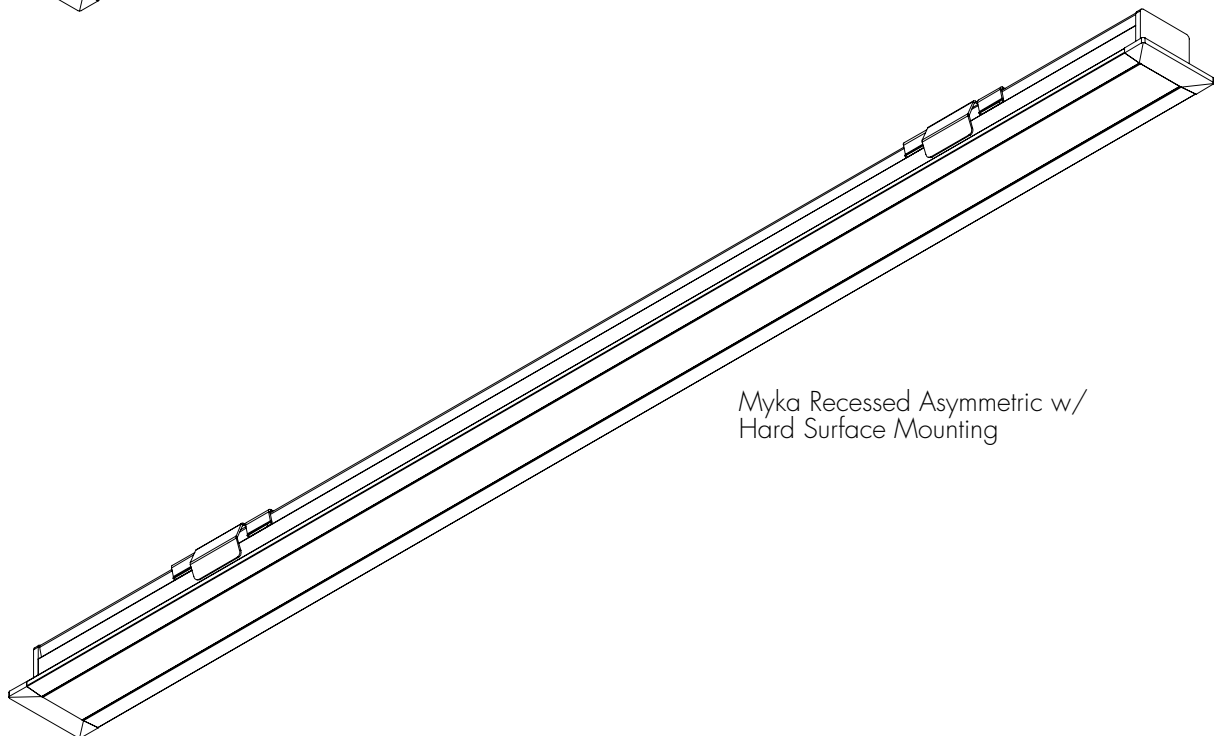
1 / 5



7777 Merrimac Ave  
Niles, IL 60714  
T 224.333.6033  
F 224.757.7557  
info@luminii.com  
www.luminii.com



Myka Recessed Asymmetric w/  
Gypsum Mounting



Myka Recessed Asymmetric w/  
Hard Surface Mounting

# Myka Recessed Asymmetric Trimmed - Installation Instructions

Models MKRA-XX



7777 Merrimac Ave  
Niles, IL 60714  
T 224.333.6033  
F 224.757.7557  
info@luminii.com  
www.luminii.com

REVO.4  
01212025

2 / 5

**Please read all instructions prior to installation and keep for future reference!**

1. PRODUCT TO BE INSTALLED BY A QUALIFIED ELECTRICIAN.
2. USE ONLY WITH CLASS 2 POWER UNIT.
3. 24 VOLTS DC.
4. SUITABLE FOR DAMP LOCATIONS.
5. SUITABLE FOR INSTALLATION WITHIN THE CLOSET STORAGE SPACE.
6. TYPE IC (CEILING & WALL).
7. SUITABLE FOR GROUND MOUNTED-RECESSED, ACCESS ABOVE CEILING REQUIRED.
8. FIXTURE SHOULD BE INSTALLED BY TWO PEOPLE.

1

**Note:** The fixtures can be installed in various mounting materials. As long as the recessed depth is considered as shown below. These light fixtures can be installed in a up or down position. Reference specific model for accurate dimensions.

Surface minimum thickness: 3/8"  
Surface maximum thickness: 5/8"

**1.1** On the left is the Myka Recessed Asymmetric with the Gypsum Mounting spring brackets. On the right is the Myka Recessed Asymmetric with the Hard Surface Mounting brackets.

2

**2.1** Route slots onto the surface with the proper width and depth to accommodate aluminum extrusion. Use drawing above as reference.

3

**3.1 For mounting bracket options only:**  
Prior to installing the fixture, slide the mounting brackets on the back of the fixture. To evenly distribute the weight of the fixture.

<p><b>soft surface mounting bracket,</b> such as drywall, plaster</p>	<p><b>hard surface mounting bracket,</b> such as wood, stone, tile</p>
---	--

**TOP VIEW**

**FRONT VIEW**

# Myka Recessed Asymmetric Trimmed - Installation Instructions

Models MKRA-XX



7777 Merrimac Ave  
Niles, IL 60714  
T 224.333.6033  
F 224.757.7557  
info@luminii.com  
www.luminii.com

REVO.4  
01212025

3 / 5

Please read all instructions prior to installation and keep for future reference!

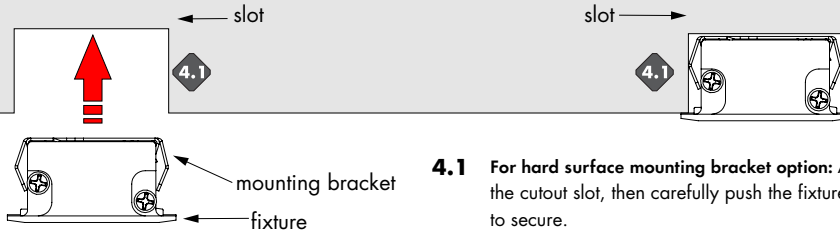
1. PRODUCT TO BE INSTALLED BY A QUALIFIED ELECTRICIAN.
2. USE ONLY WITH CLASS 2 POWER UNIT.
3. 24 VOLTS DC.
4. SUITABLE FOR DAMP LOCATIONS.
5. SUITABLE FOR INSTALLATION WITHIN THE CLOSET STORAGE SPACE.
6. TYPE IC (CEILING & WALL).
7. SUITABLE FOR GROUND MOUNTED-RECESSED, ACCESS ABOVE CEILING REQUIRED.
8. FIXTURE SHOULD BE INSTALLED BY TWO PEOPLE.

4

**Note:** Fixture wires must be considered, prior to installing. Reference wiring diagram for additional information on step 5.

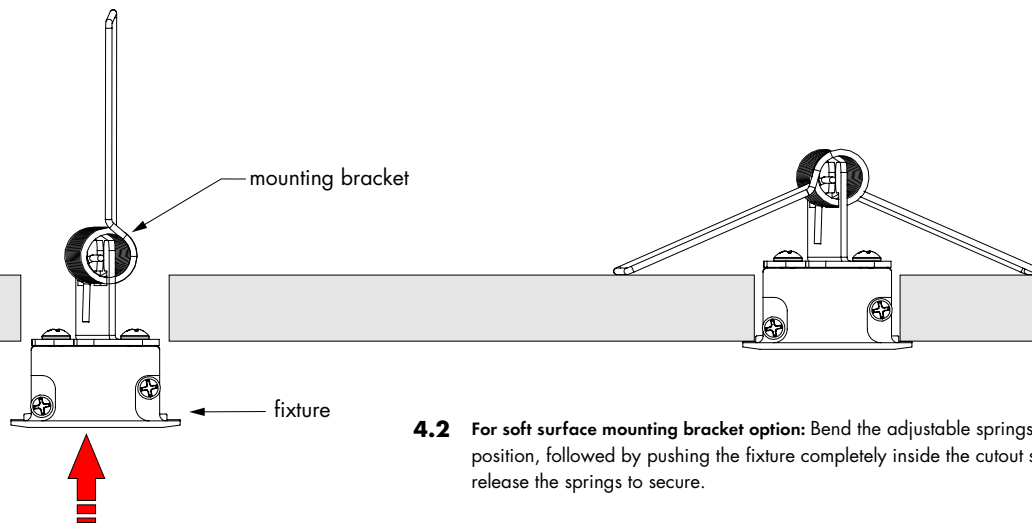
**Note:** Follow one of the two mounting options, to properly install fixture.

**HS mounting:**  
Hard surface  
mounting bracket



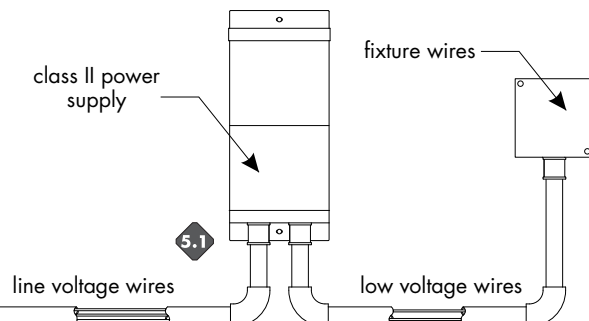
**4.1** For hard surface mounting bracket option: Align the mounting brackets to the cutout slot, then carefully push the fixture completely inside to the slot to secure.

**GS mounting:**  
Gypsum surface  
mounting bracket



**4.2** For soft surface mounting bracket option: Bend the adjustable springs to a straight position, followed by pushing the fixture completely inside the cutout slot. Then release the springs to secure.

5



**5.1** Ensure the correct (wattage & voltage) power supply is used to power the fixture. Then proceed to connect the fixture wires from fixture to the power supply. For more information please refer to power supply wiring instructions.

# Myka Recessed Asymmetric Trimmed - Installation Instructions

Models MKRA-XX



7777 Merrimac Ave  
Niles, IL 60714  
T 224.333.6033  
F 224.757.7557  
info@luminii.com  
www.luminii.com

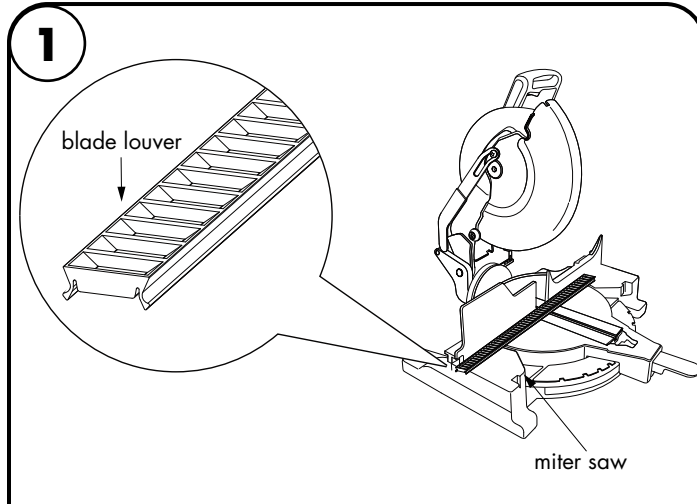
REVO.4  
01212025

4 / 5

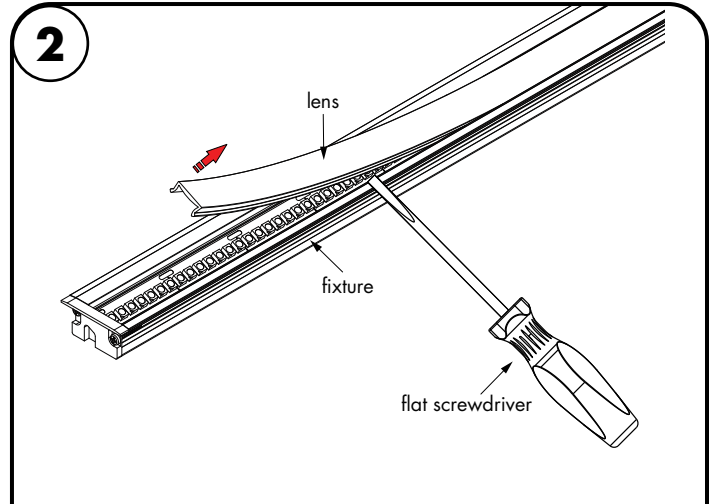
Please read all instructions prior to installation and keep for future reference!

1. PRODUCT TO BE INSTALLED BY A QUALIFIED ELECTRICIAN.
2. USE ONLY WITH CLASS 2 POWER UNIT.
3. 24 VOLTS DC.
4. SUITABLE FOR DAMP LOCATIONS.
5. SUITABLE FOR INSTALLATION WITHIN THE CLOSET STORAGE SPACE.
6. TYPE IC (CEILING & WALL).
7. SUITABLE FOR GROUND MOUNTED-RECESSED, ACCESS ABOVE CEILING REQUIRED.
8. FIXTURE SHOULD BE INSTALLED BY TWO PEOPLE.

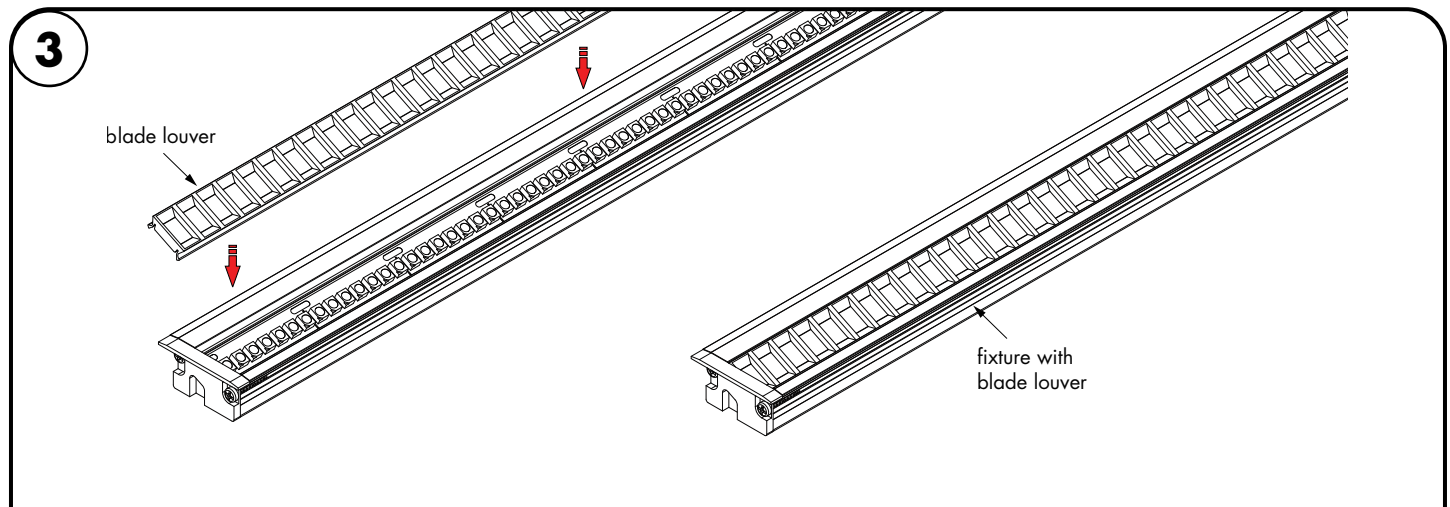
## Blade Louver Installation



- 1.1** Use miter saw to cut the blade louver into desired length. Make sure blade louver and fixture lens are the same length.



- 2.1** Use a flat screwdriver to remove the fixture lens.



- 3.1** Snap the blade louver onto fixture.

# Myka Recessed Asymmetric Trimmed - Installation Instructions

Models MKRA-XX

**Please read all instructions prior to installation and keep for future reference!**

1. PRODUCT TO BE INSTALLED BY A QUALIFIED ELECTRICIAN.
2. USE ONLY WITH CLASS 2 POWER UNIT.
3. 24 VOLTS DC.
4. SUITABLE FOR DAMP LOCATIONS.
5. SUITABLE FOR INSTALLATION WITHIN THE CLOSET STORAGE SPACE.
6. TYPE IC (CEILING & WALL).
7. SUITABLE FOR GROUND MOUNTED-RECESSED, ACCESS ABOVE CEILING REQUIRED.
8. FIXTURE SHOULD BE INSTALLED BY TWO PEOPLE.



REVO.4  
01212025

5 / 5



7777 Merrimac Ave  
Niles, IL 60714  
T 224.333.6033  
F 224.757.7557  
info@luminii.com  
www.luminii.com

## Power Supply Wiring Diagram

**Note:** Prior to installation all 24VDC wires must be present near fixture. Refer to the power supply installation instructions for additional information.



Static White  
Wiring Diagram PDF