

# Myka 45 Wet - Installation Instructions

Model MK45W-XX

**Please read all instructions prior to installation and keep for future reference!**

1. PRODUCT TO BE INSTALLED BY A QUALIFIED ELECTRICIAN.
2. USE ONLY WITH CLASS 2 POWER UNIT.
3. 24 VOLTS DC.
4. SUITABLE FOR DAMP LOCATIONS.
5. SURFACE MOUNT ONLY.
6. FIXTURE SHOULD BE INSTALLED BY TWO PEOPLE.

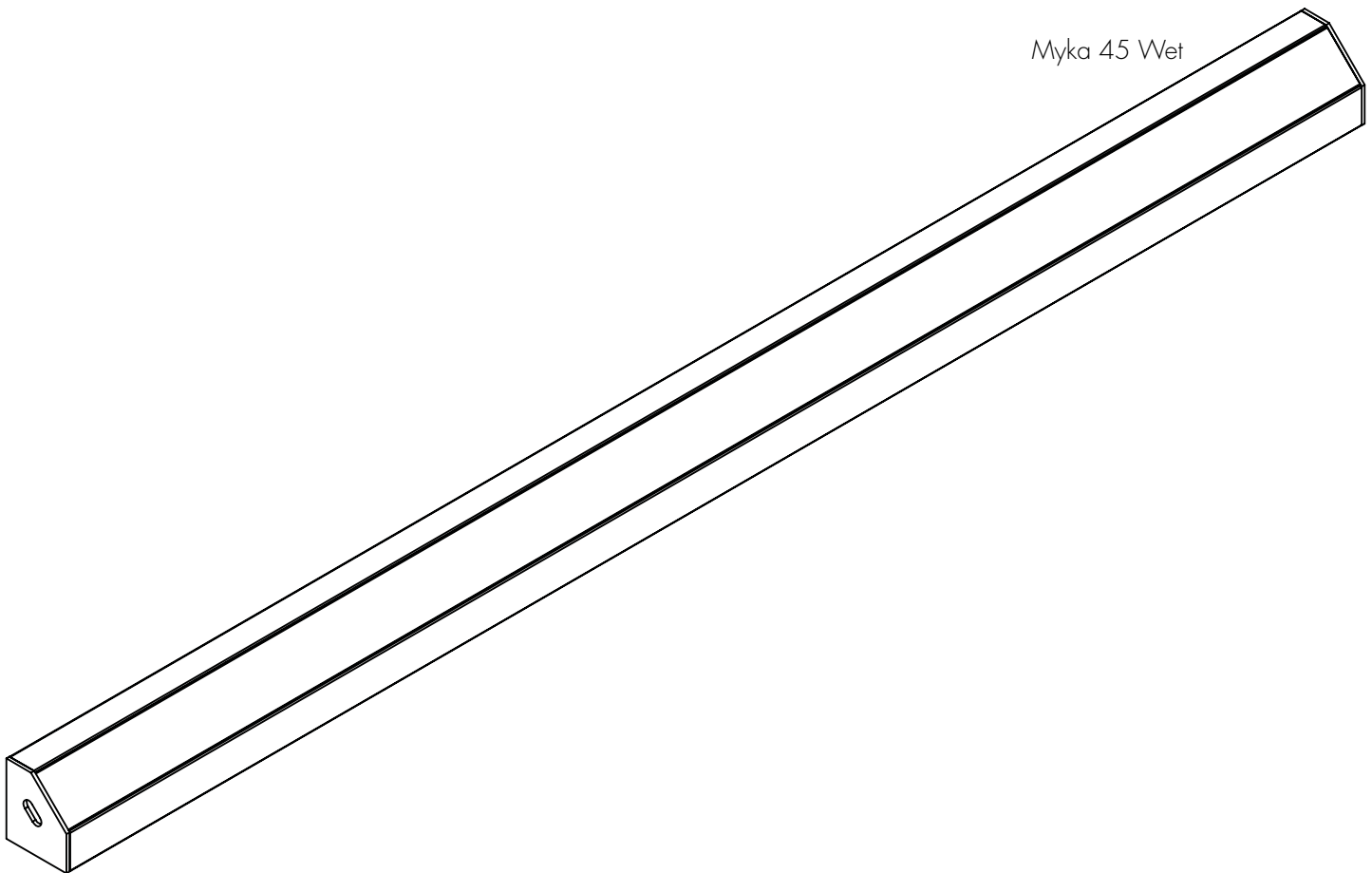


REVO.2  
09142024

1 / 4



7777 Merrimac Ave  
Niles, IL 60714  
T 224.333.6033  
F 224.757.7557  
info@luminii.com  
www.luminii.com



# Myka 45 Wet - Installation Instructions

Model MK45W-XX



7777 Merrimac Ave  
Niles, IL 60714  
T 224.333.6033  
F 224.757.7557  
info@luminii.com  
www.luminii.com

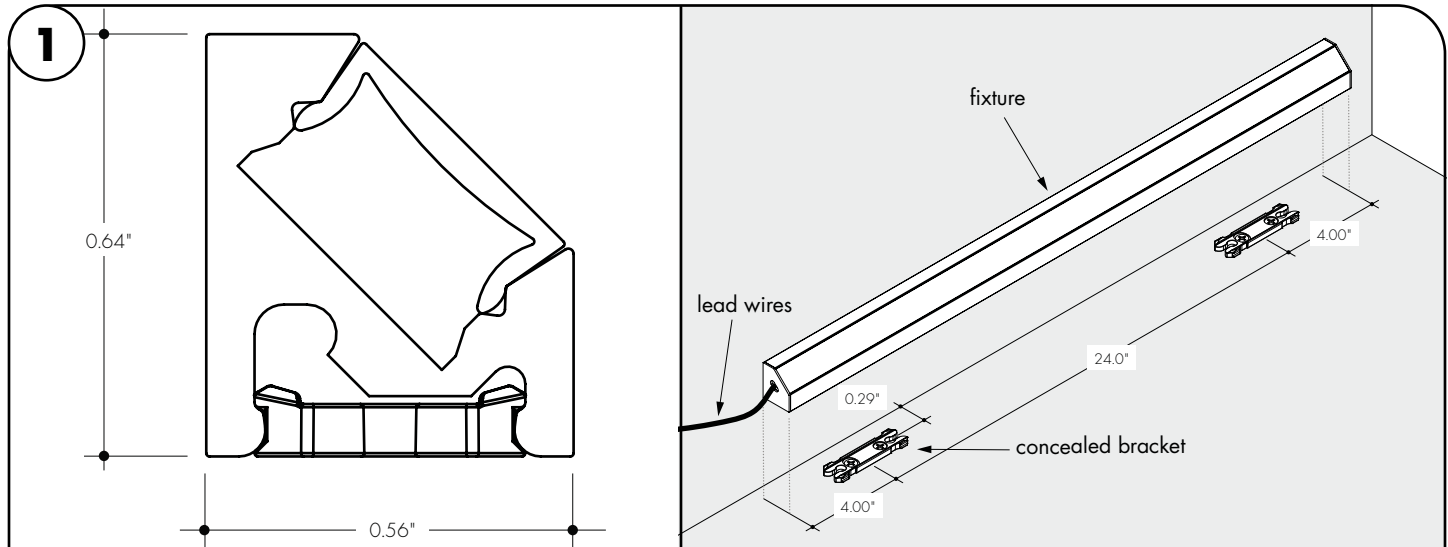
REVO.2

09142024

2 / 4

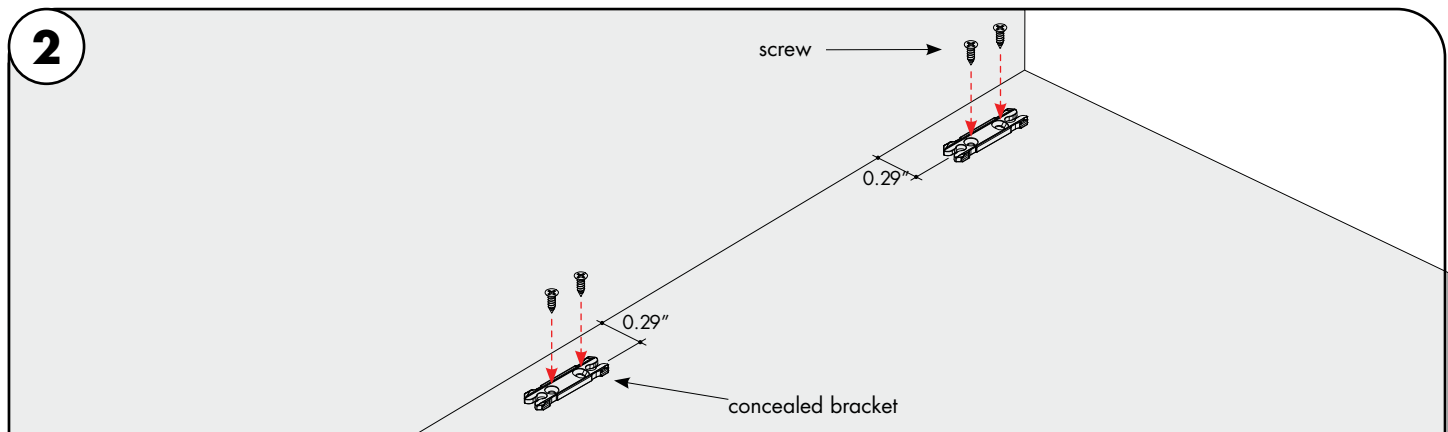
**Please read all instructions prior to installation and keep for future reference!**

1. PRODUCT TO BE INSTALLED BY A QUALIFIED ELECTRICIAN.
2. USE ONLY WITH CLASS 2 POWER UNIT.
3. 24 VOLTS DC.
4. SUITABLE FOR DAMP LOCATIONS.
5. SURFACE MOUNT ONLY.
6. FIXTURE SHOULD BE INSTALLED BY TWO PEOPLE.



**1.1** Determine the location of where the fixture(s) will be installed. Lay the fixture(s) on the surface, and make any necessary reference marks for the concealed bracket. Make marks 4" from each end of the fixture(s) and also every 24" in between. Use the fixture profile and mounting bracket detail, for any additional details.

**1.2** Lay the concealed bracket onto the reference mark points and secure using the provided hardware.



**2.1** Align the mounting brackets to the marks, followed by securing each mounting bracket with 2 screws. Snap the extrusion into the mounting brackets.

**2.2** To remove the extrusion from the mounting brackets, carefully insert a flat screwdriver to the bottom edge of the extrusion then pull up until the extrusion pops up.

# Myka 45 Wet - Installation Instructions

Model MK45W-XX



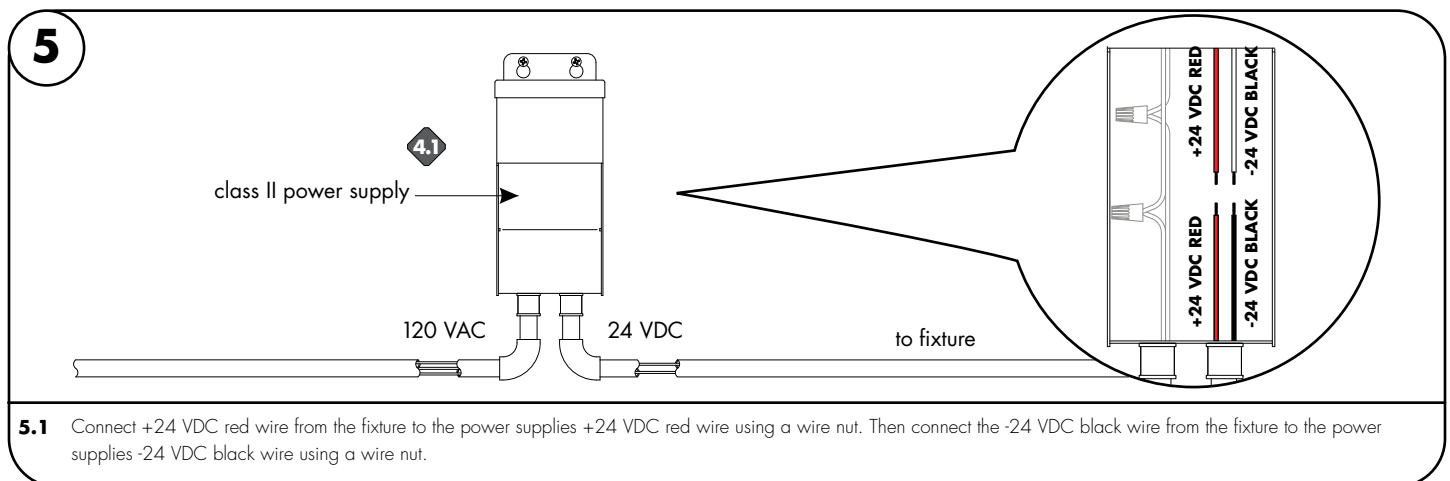
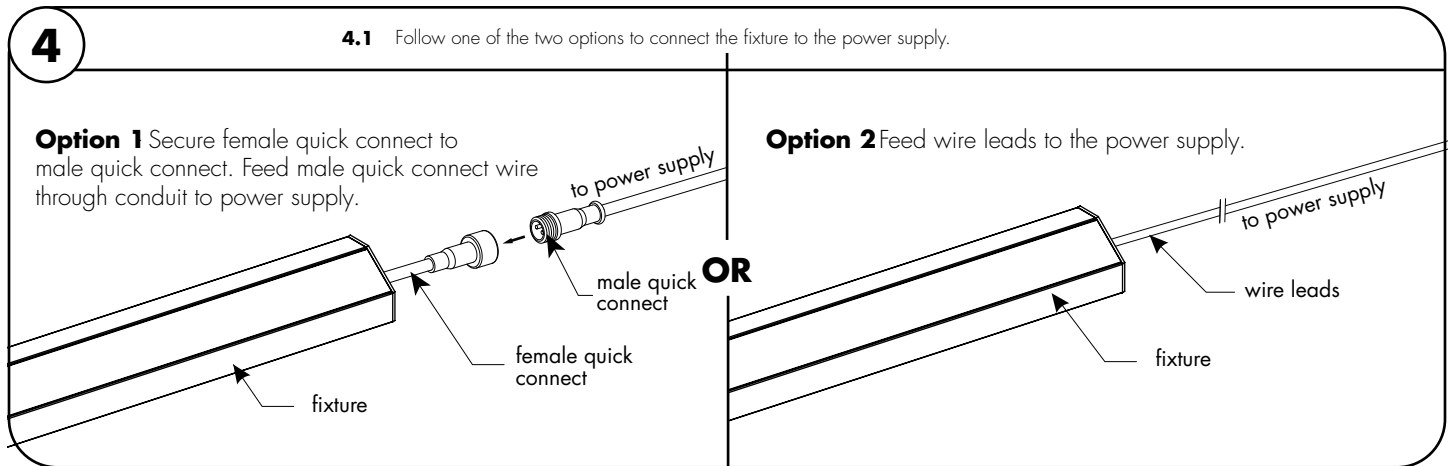
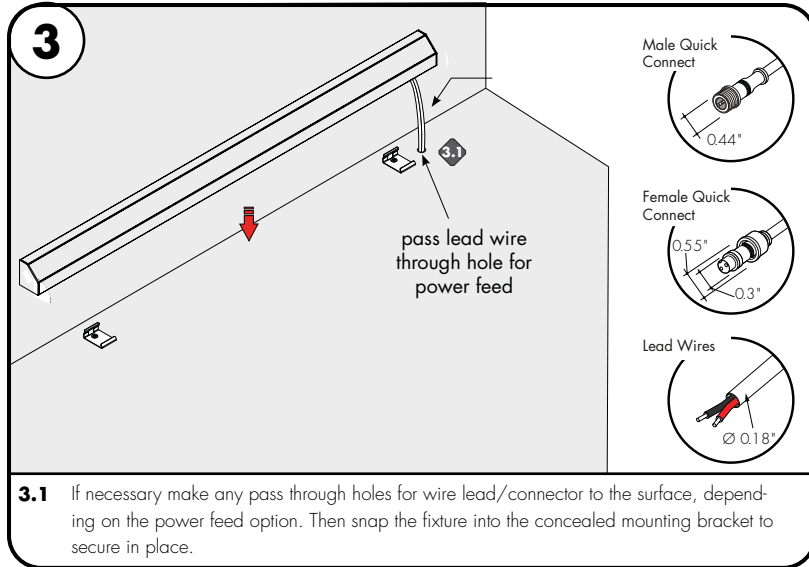
7777 Merrimac Ave  
Niles, IL 60714  
T 224.333.6033  
F 224.757.7557  
info@luminii.com  
www.luminii.com

REVO.2  
09142024

3 / 4

**Please read all instructions prior to installation and keep for future reference!**

1. PRODUCT TO BE INSTALLED BY A QUALIFIED ELECTRICIAN.
2. USE ONLY WITH CLASS 2 POWER UNIT.
3. 24 VOLTS DC.
4. SUITABLE FOR DAMP LOCATIONS.
5. SURFACE MOUNT ONLY.
6. FIXTURE SHOULD BE INSTALLED BY TWO PEOPLE.



# Myka 45 Wet - Installation Instructions

Model MK45W-XX



7777 Merrimac Ave  
Niles, IL 60714  
T 224.333.6033  
F 224.757.7557  
info@luminii.com  
www.luminii.com

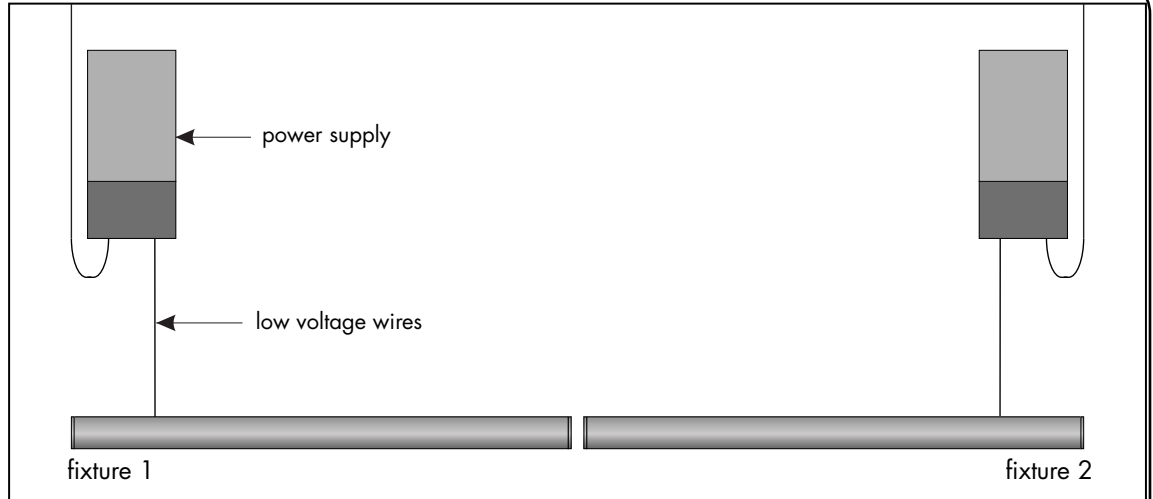
REVO.2  
09142024

4 / 4

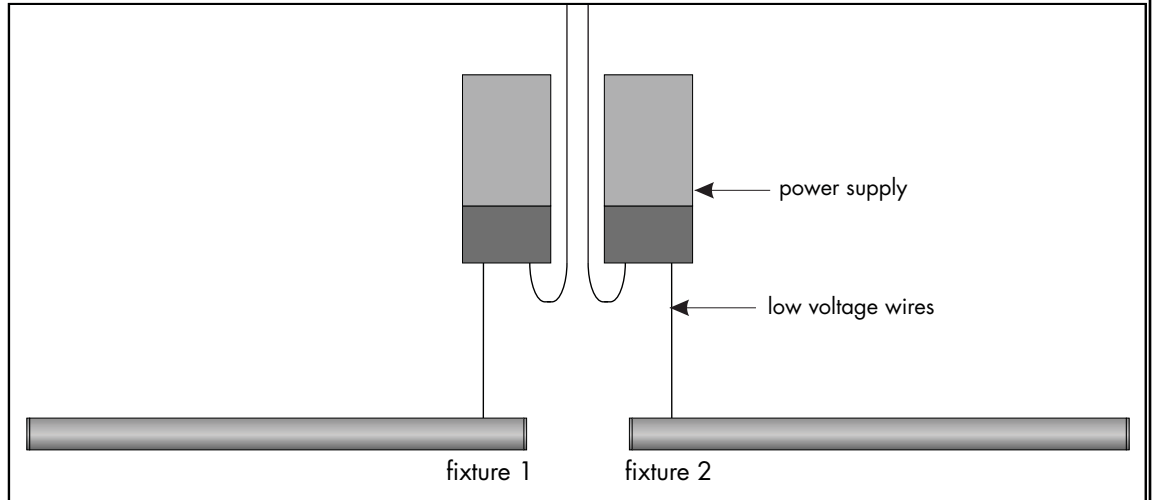
**Please read all instructions prior to installation and keep for future reference!**

1. PRODUCT TO BE INSTALLED BY A QUALIFIED ELECTRICIAN.
2. USE ONLY WITH CLASS 2 POWER UNIT.
3. 24 VOLTS DC.
4. SUITABLE FOR DAMP LOCATIONS.
5. SURFACE MOUNT ONLY.
6. FIXTURE SHOULD BE INSTALLED BY TWO PEOPLE.

## power supplies at the end of the run



## power supplies in the middle of the run



## consecutive layout, NOT RECOMMENDED

