

instruction manual Minimo Fixed

Minimo Fixed is a miniature recessed LED luminaire providing high performance accent lighting from a compact 95 CRI source.

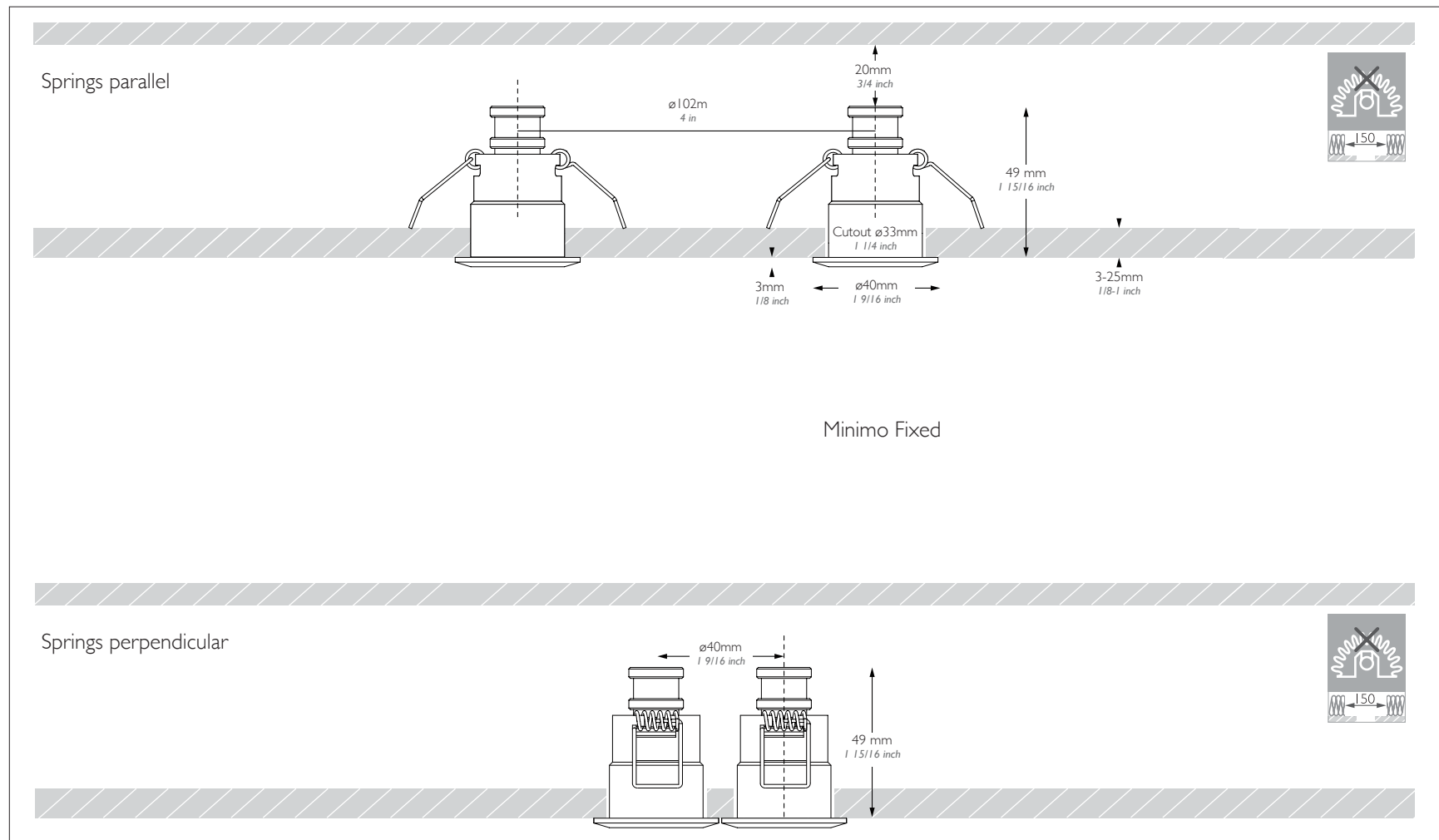
Model shown is the Minimo Fixed Circular. Procedures apply for Minimo Fixed Square.



Constant current fixtures. Use with an appropriate 700mA LED driver as recommended by Precision Lighting only.

PRINT TO SCALE TO ENSURE CUT-OUT STENCIL ACCURACY

42 RIVERSIDE ROAD | LONDON | SW17 0BA | UK
t. +44 (0) 20 8947 6616 | sales@precisionlighting.co.uk
f. +44 (0) 20 8286 6626 | www.precisionlighting.co.uk
© 2015 Precision Lighting Ltd. We reserve the right to change details of design, materials and finish. Version 1.0



IMPORTANT SAFETY INFORMATION

READ ALL INSTRUCTIONS BEFORE USING THESE PRODUCTS. SAVE THESE INSTRUCTIONS FOR LATER REFERENCE.

- All systems must be installed by a suitably qualified professional only. Installations must conform to national installation and accident prevention regulations.
- Ensure that the luminaire is switched off at mains supply before installing or removing.
- Do not install these systems in a damp or wet location, IP20 environments only. Do not install any fixture closer than 150mm (6 inches) from any combustible material.
- To reduce the risk of fire and burns, do not install these systems where exposed bare conductors can be shorted or contact any conductive materials. Do not conceal or extend exposed conductors through a building wall.
- Ensure all connections are tight. Bad connections can cause overheating, arcing and a potential fire risk.
- Wire supply connections must be made with U.L or compatible testing agency-approved connectors. Always use appropriate optics and ensure they are fitted securely.
- Install and use only as described in this Precision Lighting manual.
- Use Precision Lighting recommended optics and accessories only.
- Luminaires may be hot, allow to cool before touching.
- Access to serviceable electrical components should be kept available for maintenance purposes.
- Regular cleaning of these products is important. Switch off at mains supply and allow to cool before touching. Clean fittings with a microfibre cloth. Then reconnect the power supply.

WARNING Do not connect or disconnect under load. Ensure driver has not been powered for a minimum of 1 minute before reconnecting the LED module after disconnecting. Do not hot plug. Failure to follow this instruction will lead to serious damage of the LED module and driver and will not be covered by warranty.

NOTE Maintain correct polarity when wiring. Incorrect wiring will cause serious damage and will not be covered by warranty. Must be installed according to SELV regulations. Wire specification: 22 AWG, ø0.65mm diameter double insulated teflon wire. Red - Positive Black - Negative

NOTE LED module is not site serviceable. Tampering will cause damage and will not be covered by warranty.

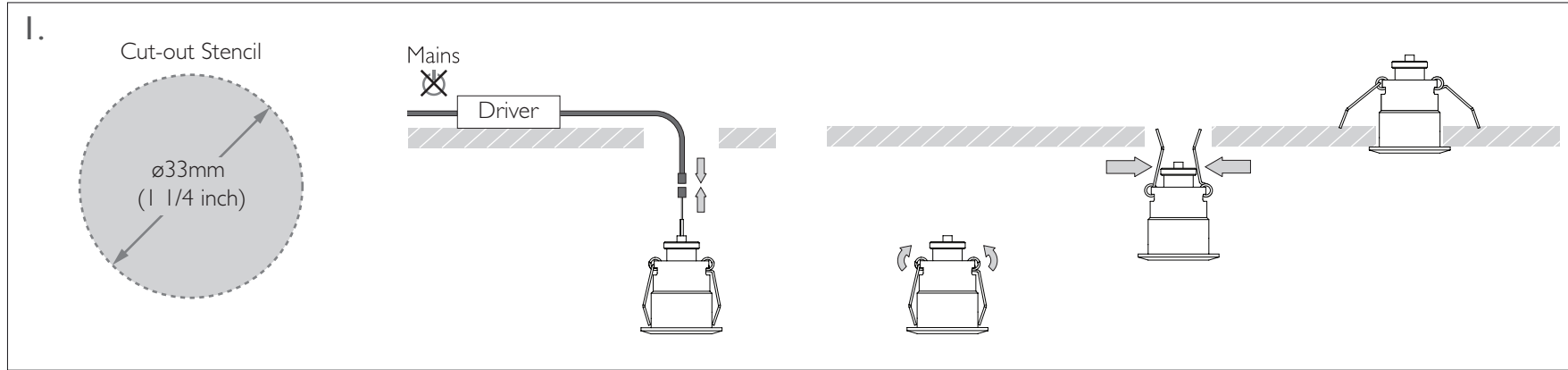
1. Installing the luminaire

WARNING switch off power to mains before installation.

Cut ceiling hole at ø33mm (1 1/4 inch).

Pull driver side connector through hole and connect to the luminaire side connector. See electrical instructions for wiring schematic.

Using installation springs, install fixture into the ceiling.

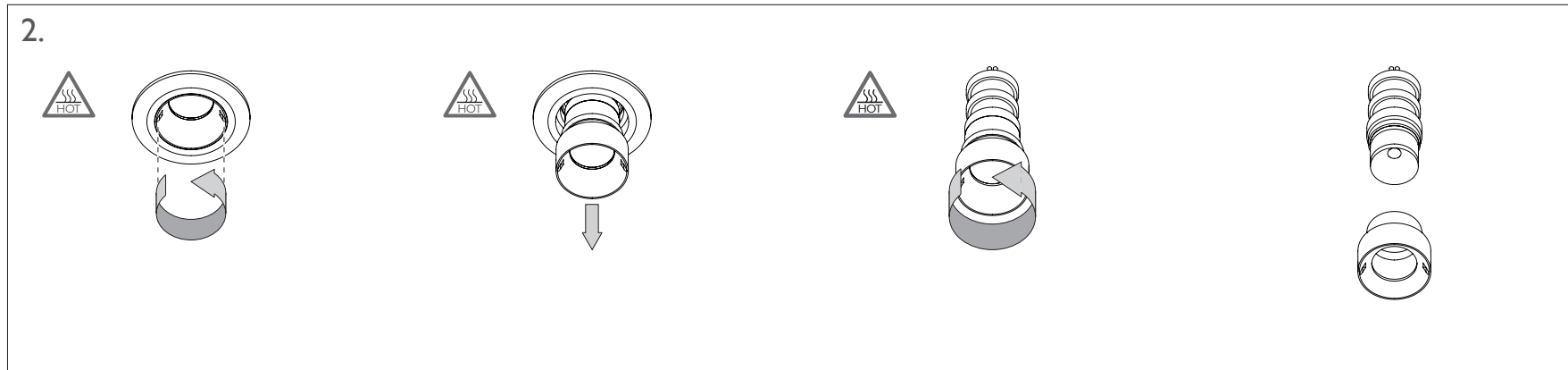


2. Removing the front snoot

WARNING luminaire may be hot. Allow to cool before touching.

Using the two slots in the front of the fixture, twist the black insert anti-clockwise until the inner LED module is removed from the fixture housing.

Unscrew the front snoot anti-clockwise until the optic is exposed.

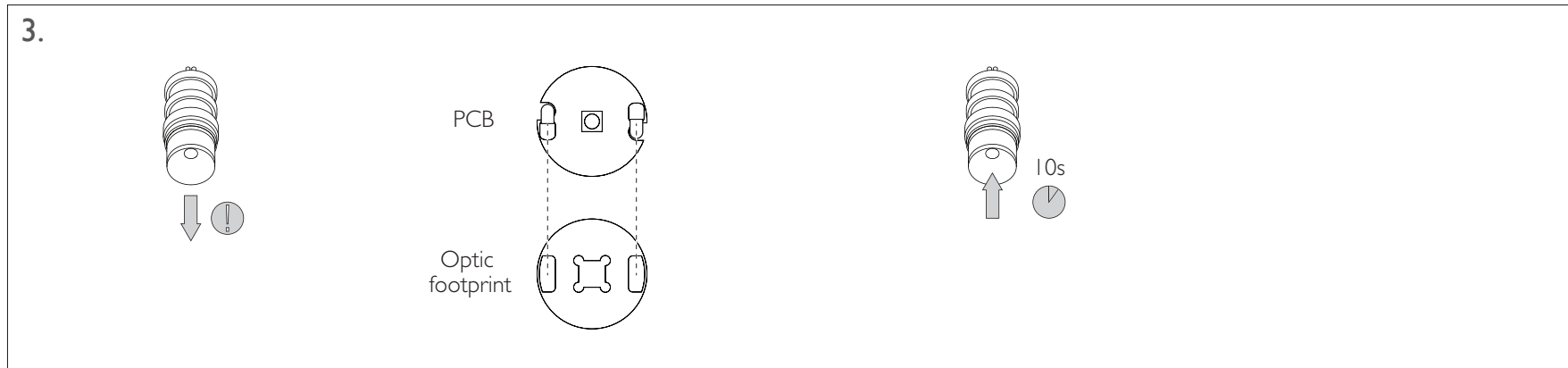


3. Changing the optic

Remove the optic with a sharp pull. Do not twist the optic during removal.

NOTE the detail on the underside of the optic. The 2 side cavities on the optic must be placed over the solder pads of the PCB. See diagram.

Press the optic onto the PCB and hold for 10 seconds.



WARNING Do not connect or disconnect under load. Ensure driver has not been powered for a minimum of 1 minute before reconnecting the LED module after disconnecting. Do not hot plug. Failure to follow this instruction will lead to serious damage of the LED module and driver and will not be covered by warranty.

NOTE Maintain correct polarity when wiring. Incorrect wiring will cause serious damage and will not be covered by warranty. Must be installed according to SELV regulations. Wire specification: 22 AWG, ø0.65mm diameter double insulated teflon wire. Red - Positive Black - Negative

NOTE LED module is not site serviceable. Tampering will cause damage and will not be covered by warranty.

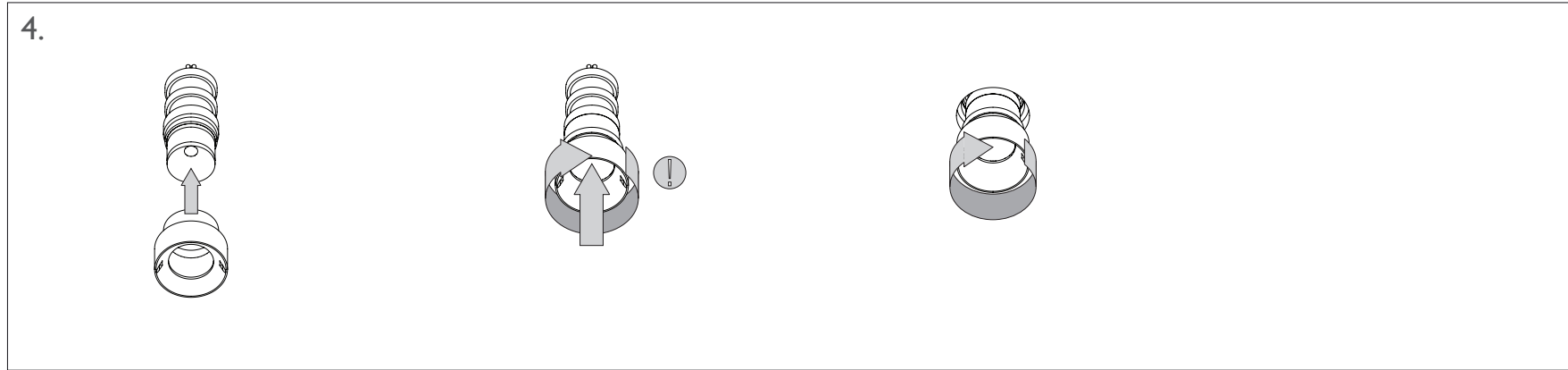
4. Changing the snoot

Slide the new snoot over the optic.

Apply light pressure to the optic whilst screwing the cap on clockwise.

WARNING Do not overtighten.

Return inner LED module to fixture housing by pushing upwards while screwing the module in clockwise using the front two slots. Turn until the front of the LED module is flush with the front of the bezel.

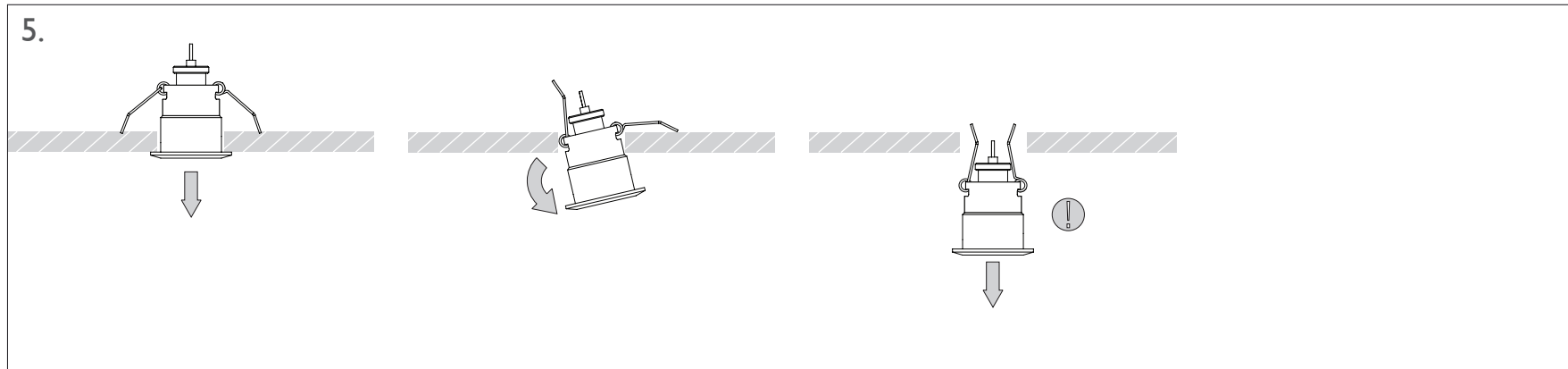


5. Remove fixture from ceiling

Hold the bezel and pull downwards.

Tilt fixture in direction of one of the installation springs and continue to pull down before straightening out the fixture and pulling down until the fixture is clear of the ceiling.

WARNING caution springs can pinch fingers. Handle with care.



instruction manual

Minimo Fixed Trimless

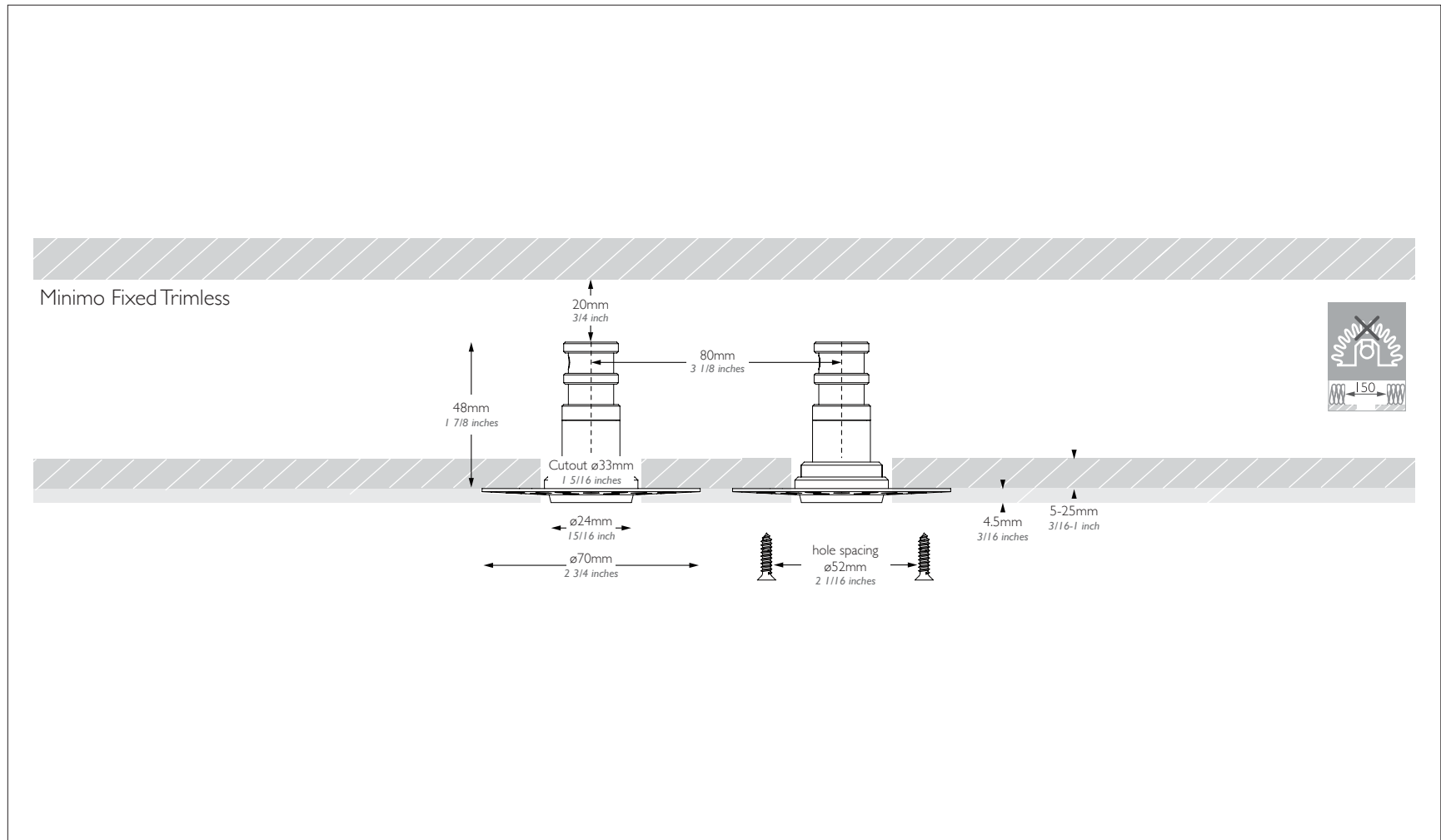
Minimo Fixed is a miniature recessed 95 CRI LED luminaire offering 360° pan coupled with 30° tilt.



Constant current fixtures. Use with an appropriate 700mA LED driver as recommended by Precision Lighting only.

PRINT TO SCALE TO ENSURE CUT-OUT STENCIL ACCURACY

42 RIVERSIDE ROAD | LONDON | SW17 0BA | UK
 t. +44 (0) 20 8947 6616 | sales@precisionlighting.co.uk
 f. +44 (0) 20 8286 6626 | www.precisionlighting.co.uk
 © 2015 Precision Lighting Ltd. We reserve the right to change details of design, materials and finish. Version 1.0



IMPORTANT SAFETY INFORMATION

READ ALL INSTRUCTIONS BEFORE USING THESE PRODUCTS. SAVE THESE INSTRUCTIONS FOR LATER REFERENCE.

- All systems must be installed by a suitably qualified professional only. Installations must conform to national installation and accident prevention regulations.
- Ensure that the luminaire is switched off at mains supply before installing or removing.
- Do not install these systems in a damp or wet location, IP20 environments only. Do not install any fixture closer than 150mm (6 inches) from any combustible material.
- To reduce the risk of fire and burns, do not install these systems where exposed bare conductors can be shorted or contact any conductive materials. Do not conceal or extend exposed conductors through a building wall.
- Ensure all connections are tight. Bad connections can cause overheating, arcing and a potential fire risk.
- Wire supply connections must be made with U.L or compatible testing agency-approved connectors. Always use appropriate optics and ensure they are fitted securely.
- Install and use only as described in this Precision Lighting manual.
- Use Precision Lighting recommended optics and accessories only.
- Luminaires may be hot, allow to cool before touching.
- Access to serviceable electrical components should be kept available for maintenance purposes.
- Regular cleaning of these products is important. Switch off at mains supply and allow to cool before touching. Clean fittings with a microfibre cloth. Then reconnect the power supply.

WARNING Do not connect or disconnect under load. Ensure driver has not been powered for a minimum of 1 minute before reconnecting the LED module after disconnecting. Do not hot plug. Failure to follow this instruction will lead to serious damage of the LED module and driver and will not be covered by warranty.

NOTE Maintain correct polarity when wiring. Incorrect wiring will cause serious damage and will not be covered by warranty. Must be installed according to SELV regulations. Wire specification: 22 AWG, $\varnothing 0.65\text{mm}$ diameter double insulated teflon wire. Red - Positive Black - Negative

NOTE LED module is not site serviceable. Tampering will cause damage and will not be covered by warranty.

1. Installing the luminaire

WARNING switch off power to mains before installation.

Remove LED module from fitting.

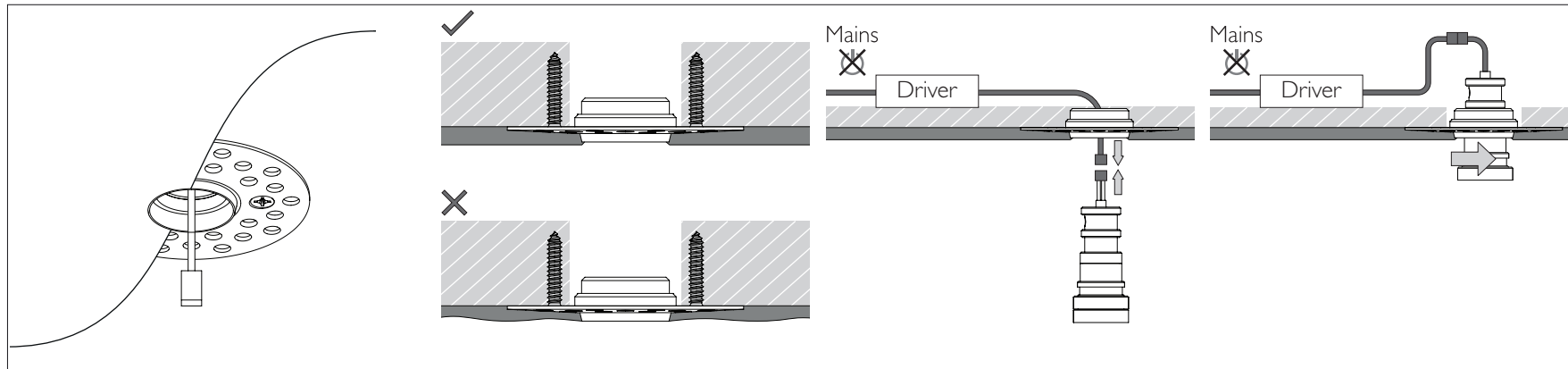
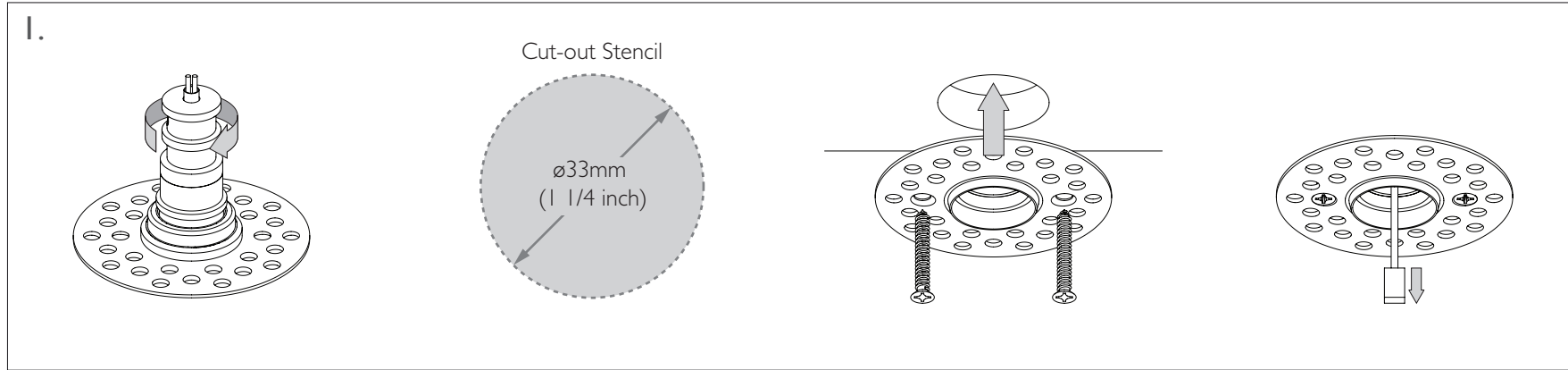
Cut hole $\varnothing 33\text{mm}$ (1 1/4 inches). Position plaster-in ring and use appropriate fixings to secure to ceiling.

Pull driver side connector through hole.

Apply plaster over plaster-in ring and skim. Avoid covering wires and connector with plaster. Cut around inside of the aperture to ensure a neat finish.

Once plaster is dry, ensure control gear is not connected to mains supply before attaching the luminaire side connector to the driver side connector.

Insert LED module into plaster-in ring and screw in to ring.

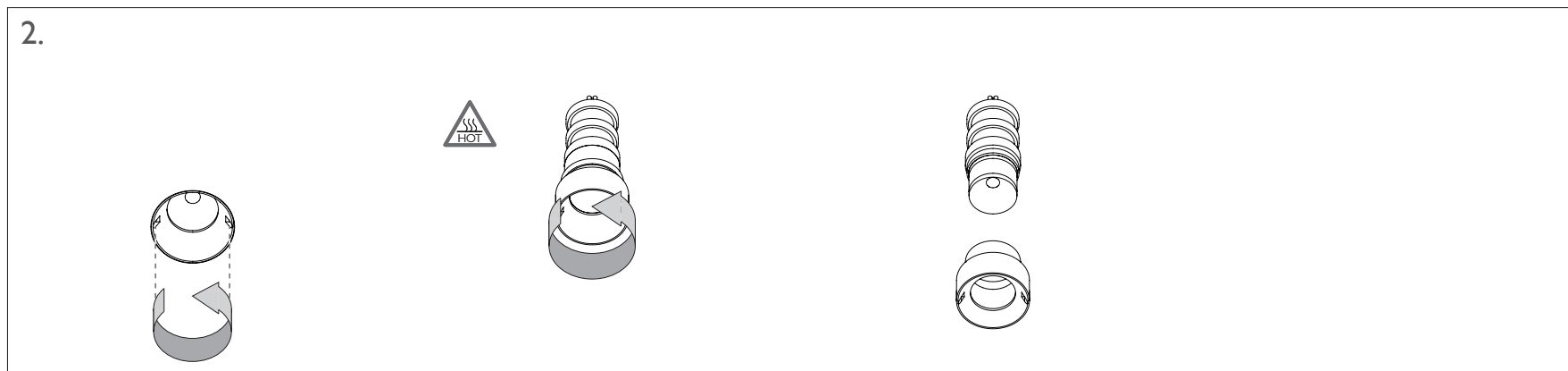


2. Removing the front snoot

WARNING luminaire may be hot. Allow to cool before touching.

Using the two slots in the front of the fixture, twist the black insert anti-clockwise until the inner LED module is removed from the fixture housing.

Unscrew the front snoot anticlockwise until the optic is exposed.



WARNING Do not connect or disconnect under load. Ensure driver has not been powered for a minimum of 1 minute before reconnecting the LED module after disconnecting. Do not hot plug. Failure to follow this instruction will lead to serious damage of the LED module and driver and will not be covered by warranty.

NOTE Maintain correct polarity when wiring. Incorrect wiring will cause serious damage and will not be covered by warranty. Must be installed according to SELV regulations. Wire specification: 22 AWG, ø0.65mm diameter double insulated teflon wire. Red - Positive Black - Negative

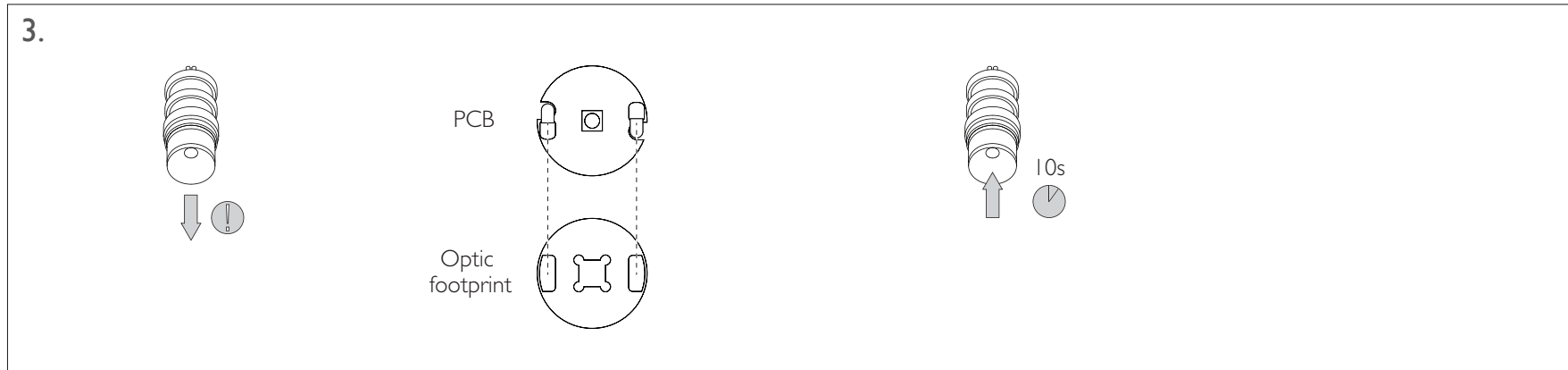
NOTE LED module is not site serviceable. Tampering will cause damage and will not be covered by warranty.

3. Changing the optic

Remove the optic with a sharp pull. Do not twist the optic during removal.

NOTE the detail on the underside of the optic. The 2 side cavities on the optic must be placed over the solder pads of the PCB. See diagram.

Press the optic onto the PCB and hold for 10 seconds.



4. Changing the snoot

Slide the new snoot over the optic.

Apply light pressure to the optic whilst screwing the cap on clockwise.

WARNING Do not overtighten.

Return inner LED module to fixture housing by pushing upwards while screwing the module in clockwise using the front two slots, turn until the front of the LED module is flush with the front of the bezel.

