

# MINIMO 1 EYE

12° NARROW BEAM

STATIC WHITE



## OVERVIEW

Minimo 1 Eye is a Constant Current single source LED recessed spotlight that is machined from aerospace grade aluminium 6063-T6 and comes as standard in white, black and brushed aluminium. It has three site-changeable optics for flexible beam distribution and is fully adjustable with 360° pan and 30° tilt. The narrow beam in our 2.24W 180lm module has a peak intensity of 1566cd.

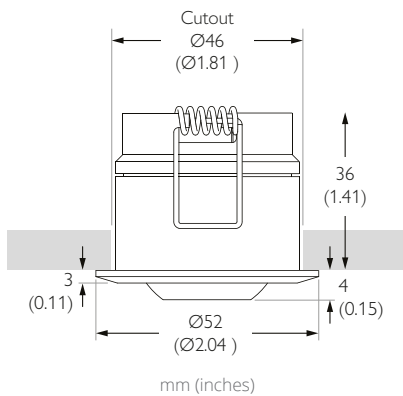
UK PART L	Part L1A / L1B (Dwellings)	EXEMPT
	Part L2A (General)	EXEMPT
	Part L2A (Display)	EXEMPT



## PERFORMANCE

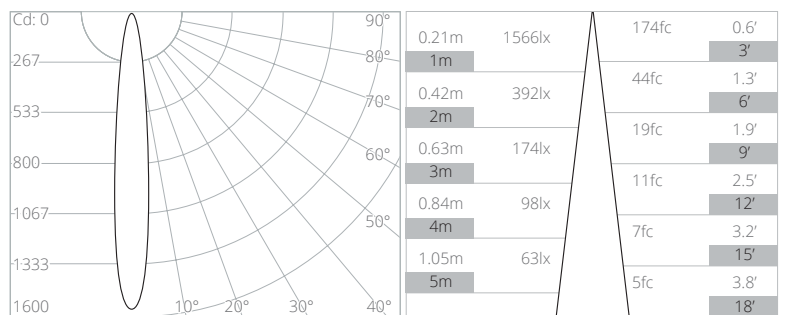
FWHM	12°	Category	IP20
Luminous Flux	164 lm	Material	Machined AL 6063-T6   Machined Brass
Peak Intensity	1566 cd	Finishes	Brushed Aluminium   Black RAL9005   White RAL9010
CCT	2700K   3000K	Weight	89g   0.20lb
CRI Min.	95 TYP	Cutout	ø46mm (1.81")
Drive Current	700 mA	Movement	Pan 360°   Tilt 30°
Nom. Voltage	3.2 V	Min Ceiling Void	20mm (0.79") clearance above
Max. Wattage	2.24 W	Accessories	N/A   N/A
Dimming	0-10V   DALI	TM65   TM66	8.39kgCO2e   2.4
Driver Type	Constant Current   Remote	Lifetime	L90B10 100,000hrs   5 year warranty
Class	SELV   Class III		

## DIMENSIONS



## PHOTOMETRY

CCT	Multiplier
2700K	x1.00
3000K	x1.00



Data at 3000K

## ORDER CODE

Model	Finish	CCT	Beam Angle
RC-611	-	-	-
	WH White RAL 9010	2795 2700K 95CRI	12 Narrow
	BK Black RAL 9005	3095 3000K 95CRI	30 Medium
	AL Brushed Aluminium		60 Flood

Example Code: RC-611-WH-309512

\*Premium & custom finishes are built to order, subject to an extended lead time & MOQ  
See Drivers, Power Supplies and Accessories sections for further order codes

# MINIMO 1 EYE

30° MEDIUM BEAM

STATIC WHITE



## OVERVIEW

Minimo 1 Eye is a Constant Current single source LED recessed spotlight that is machined from aerospace grade aluminium 6063-T6 and comes as standard in white, black and brushed aluminium. It has three site-changeable optics for flexible beam distribution and is fully adjustable with 360° pan and 30° tilt. The medium beam in our 2.24W 180lm module has a peak intensity of 470cd.

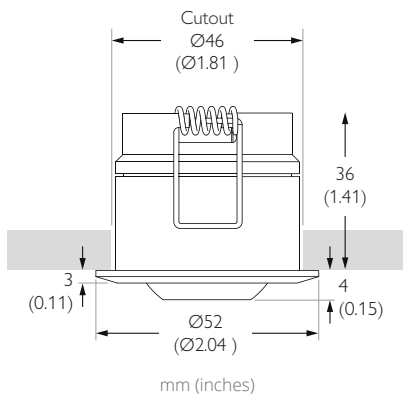
UK PART L	Part L1A / L1B (Dwellings)	EXEMPT
	Part L2A (General)	EXEMPT
	Part L2A (Display)	EXEMPT



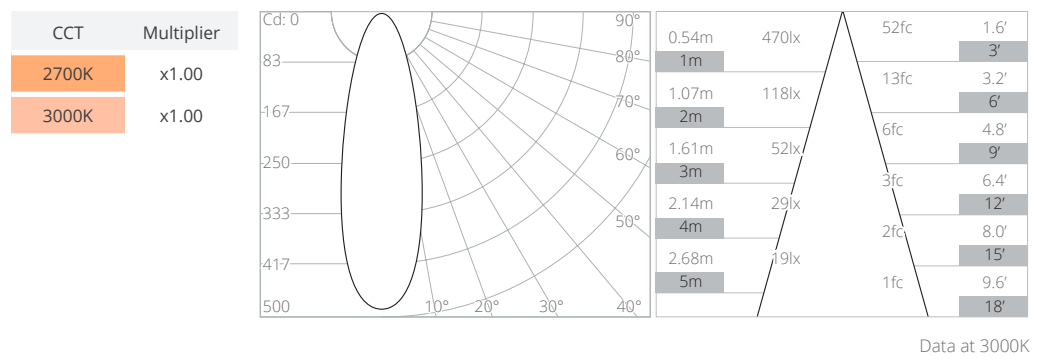
## PERFORMANCE

FWHM	30°	Category	IP20
Luminous Flux	150 lm	Material	Machined AL 6063-T6   Machined Brass
Peak Intensity	470 cd	Finishes	Brushed Aluminium   Black RAL9005   White RAL9010
CCT	2700K   3000K	Weight	89g   0.20lb
CRI Min.	95 TYP	Cutout	ø46mm (1.81")
Drive Current	700 mA	Movement	Pan 360°   Tilt 30°
Nom. Voltage	3.2 V	Min Ceiling Void	20mm (0.79") clearance above
Max. Wattage	2.24 W	Accessories	N/A   N/A
Dimming	0-10V   DALI	TM65   TM66	8.39kgCO2e   2.4
Driver Type	Constant Current   Remote	Lifetime	L90B10 100,000hrs   5 year warranty
Class	SELV   Class III		

## DIMENSIONS



## PHOTOMETRY



## ORDER CODE

Model	Finish	CCT	Beam Angle
RC-611	-	-	-
	WH White RAL 9010	2795 2700K 95CRI	12 Narrow
	BK Black RAL 9005	3095 3000K 95CRI	30 Medium
	AL Brushed Aluminium		60 Flood

Example Code: RC-611-WH-309530

\*Premium & custom finishes are built to order, subject to an extended lead time & MOQ  
See Drivers, Power Supplies and Accessories sections for further order codes

# MINIMO 1 EYE

60° FLOOD BEAM

STATIC WHITE



## OVERVIEW

Minimo 1 Eye is a Constant Current single source LED recessed spotlight that is machined from aerospace grade aluminium 6063-T6 and comes as standard in white, black and brushed aluminium. It has three site-changeable optics for flexible beam distribution and is fully adjustable with 360° pan and 30° tilt. The flood beam in our 2.24W 180lm module has a peak intensity of 163cd.

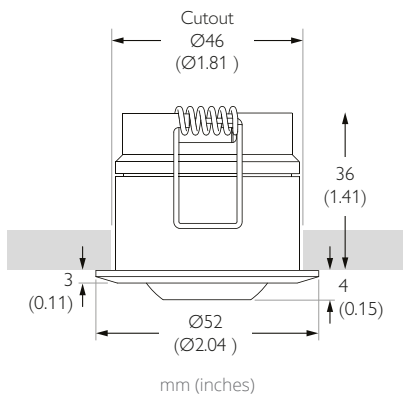
UK PART L	Part L1A / L1B (Dwellings)	EXEMPT
	Part L2A (General)	EXEMPT
	Part L2A (Display)	EXEMPT



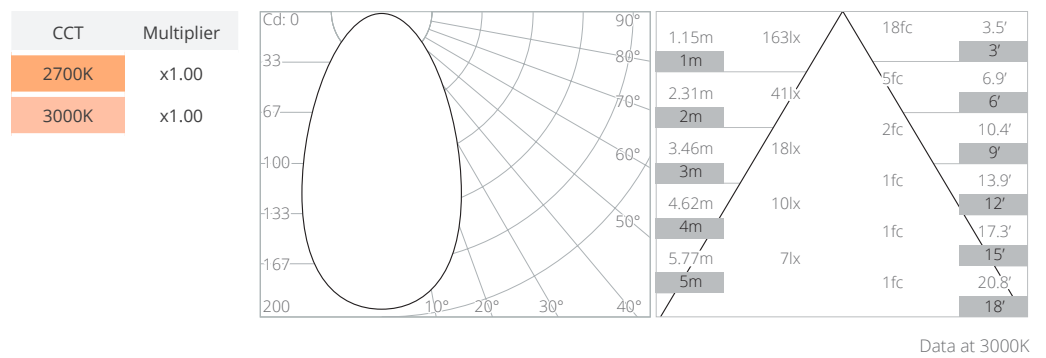
## PERFORMANCE

FWHM	60°	Category	IP20
Luminous Flux	163 lm	Material	Machined AL 6063-T6   Machined Brass
Peak Intensity	163 cd	Finishes	Brushed Aluminium   Black RAL9005   White RAL9010
CCT	2700K   3000K	Weight	89g   0.20lb
CRI Min.	95 TYP	Cutout	ø46mm (1.81")
Drive Current	700 mA	Movement	Pan 360°   Tilt 30°
Nom. Voltage	3.2 V	Min Ceiling Void	20mm (0.79") clearance above
Max. Wattage	2.24 W	Accessories	N/A   N/A
Dimming	0-10V   DALI	TM65   TM66	8.39kgCO2e   2.4
Driver Type	Constant Current   Remote	Lifetime	L90B10 100,000hrs   5 year warranty
Class	SELV   Class III		

## DIMENSIONS



## PHOTOMETRY



## ORDER CODE

Model	Finish	CCT	Beam Angle
RC-611	-	-	-
	WH White RAL 9010	2795 2700K 95CRI	12 Narrow
	BK Black RAL 9005	3095 3000K 95CRI	30 Medium
	AL Brushed Aluminium		60 Flood

Example Code: RC-611-WH-309560

\*Premium & custom finishes are built to order, subject to an extended lead time & MOQ  
See Drivers, Power Supplies and Accessories sections for further order codes

## DRIVERS

### 20W | DIMMING: DALI OR 0-10V

NO. OF LIGHTS PER DRIVER 1 to 8 in series

MIN DIM LEVEL 0.1%

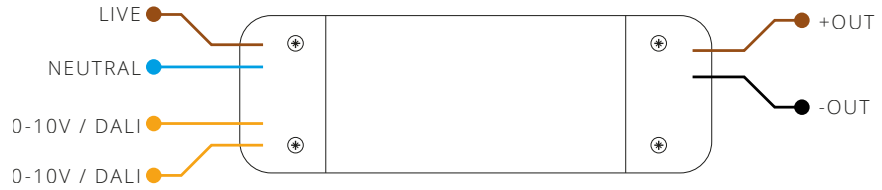
VOLTAGE REGION 230V

FOR NORTH AMERICA No

WATTAGE 20W

SUPPLY TYPE Constant Current

DRIVER LOCATION Remote



DALI CODE PSCC-20-700-D-EL

0-10V CODE PSCC-20-700-A-EL

LENGTH 160mm (6.30") WIDTH 41mm (1.63") HEIGHT 30mm (1.18")



### 30W | DIMMING: DALI OR 0-10V

NO. OF LIGHTS PER DRIVER 1 to 12 in series

MIN DIM LEVEL 0.1%

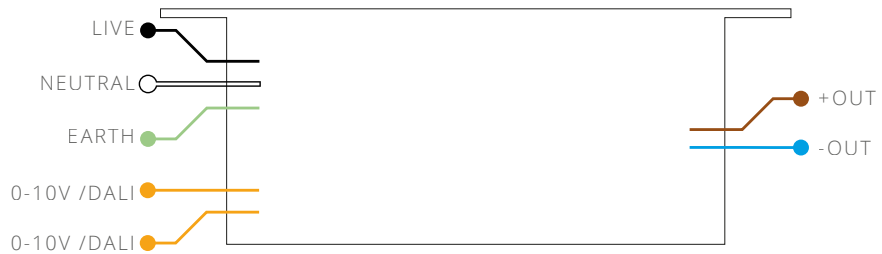
VOLTAGE REGION 120V

FOR NORTH AMERICA Yes

WATTAGE 30W

SUPPLY TYPE Constant Current

DRIVER LOCATION Remote



DALI CODE USCC-30-700-D-EL-ENC

0-10V CODE USCC-30-700-A-EL-ENC

LENGTH 348mm (13.7") WIDTH 65mm (2.6") HEIGHT 47mm (1.9")



### 12W | DIMMING: PHASE

NO. OF LIGHTS PER DRIVER 2 to 5 in series

MIN DIM LEVEL 1%

VOLTAGE REGION 120V

FOR NORTH AMERICA Yes

WATTAGE 12W

SUPPLY TYPE Constant Current

DRIVER LOCATION Remote



PHASE CODE USCC-12-700-P-HT-ENC

LENGTH 247mm (9.7") WIDTH 65mm (2.6") HEIGHT 47mm (1.9")

