

mCove - Installation Instructions

Models M-

Please read all instructions prior to installation and keep for future reference!

1. PRODUCT TO BE INSTALLED BY A QUALIFIED ELECTRICIAN.
2. USE ONLY WITH CLASS 2 POWER UNIT.
3. 24 VOLTS DC.
4. SUITABLE FOR DAMP LOCATIONS.
5. SURFACE MOUNT ONLY.
6. SUITABLE FOR INSTALLATION WITHIN THE CLOSET STORAGE SPACE.
7. INHERENTLY PROTECTED.
8. FIXTURE SHOULD BE INSTALLED BY TWO PEOPLE.



REVO.2
12312024

1 / 4



7777 Merrimac Ave
Niles, IL 60714
T 224.333.6033
F 224.757.7557
info@luminii.com
www.luminii.com

1 reflector
fixture
1.2
screw
center of fixture
1.1

1.1 From the inside of the fixture, remove screws from the center.

1.2 Carefully, rotate and pull the reflector completely out.

2 wall
fixture
2.1
mark
DRILL HOLE LOCATION

2.1 Prior to installing the fixture, power wires must be present near fixture. Lay the fixture on the desired location, & mark the mounting holes to the wall. If fixture center hole doesn't match up with the conduit. Make an additional 1/2" hole to the back of the extrusion. Use diagram above to make hole in the correct location.

3 corner fixture
straight fixture
3.1
joining bracket
3.1

3.1 IF CONNECTING MULTIPLE FIXTURES TOGETHER: Insert the joining brackets into one of the fixture end(s) & tighten the screws on the bracket. Then slide the connecting fixture into the brackets and secure by tightening the screws on bracket.

4 wall
4.1
anchor
mark
anchor
Philips screwdriver

4.1 Align the anchors onto the marks and tap until the threaded section. Then screw in the threaded portion of the anchors with a Philips screw driver.

5 wall
conduit
5.1
Philips Screw
power wires

5.1 Bring in the power wires into the fixture. Align the fixture to the anchors and secure in place using provided screws. Use the provided conduit connector if necessary, in accordance with local electrical codes.

6 reflector
6.1
fixture
6.2
reflector
screw
cover
installed

6.1 While holding the LED reflector connect the red & black wires to the power supply red (24VDC+) & black (24VDC-) wires. For additional wiring information refer to the power supply instruction.

6.2 Insert the LED panel into the fixture and secure using the provided screws. Snap-in the cover in the fixture (cover will fit loose inside the fixture).

mCove - Installation Instructions

Models M-



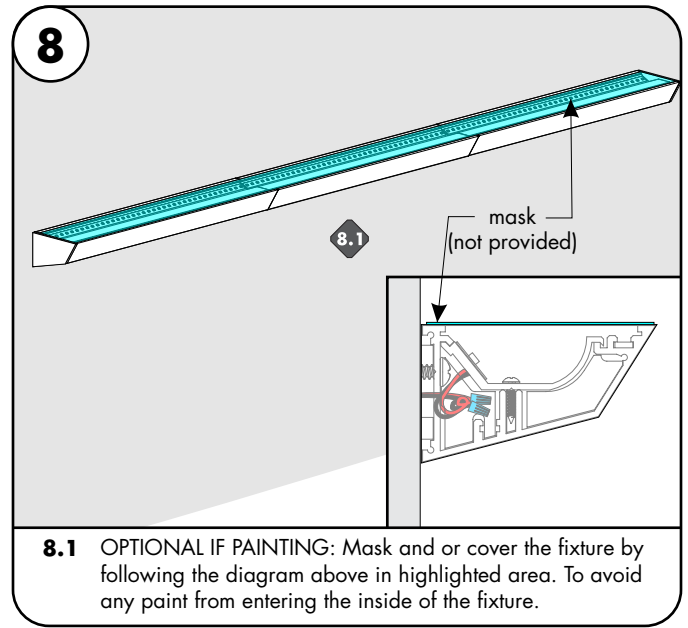
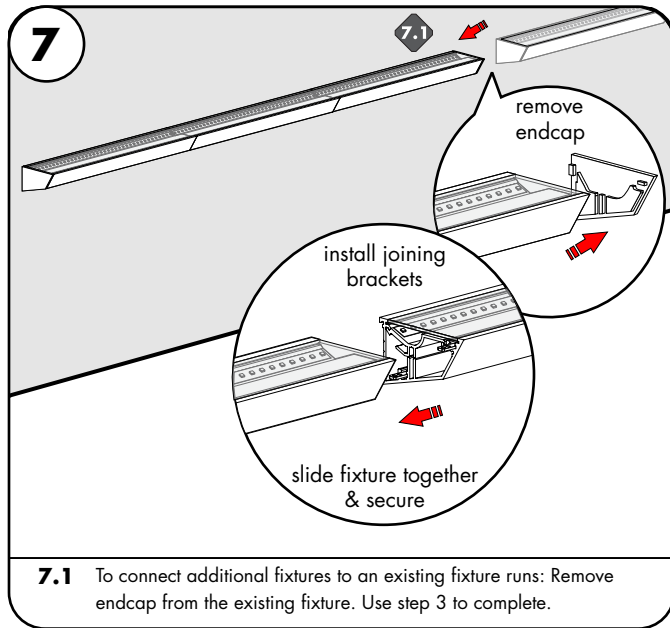
7777 Merrimac Ave
Niles, IL 60714
T 224.333.6033
F 224.757.7557
info@luminii.com
www.luminii.com

REVO.2
12312024

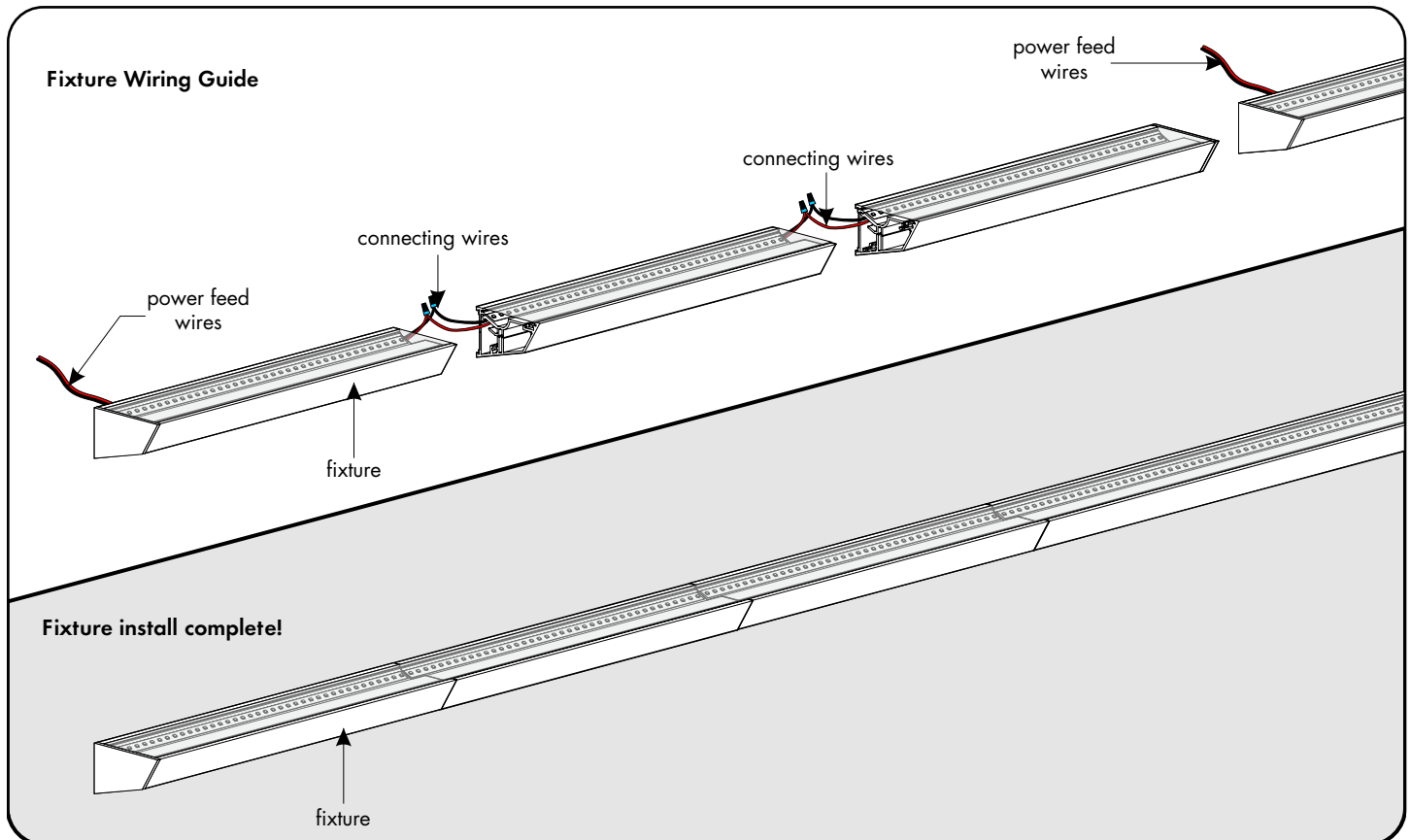
2 / 4

Please read all instructions prior to installation and keep for future reference!

- | | |
|--|---|
| 1. PRODUCT TO BE INSTALLED BY A QUALIFIED ELECTRICIAN. | 5. SURFACE MOUNT ONLY. |
| 2. USE ONLY WITH CLASS 2 POWER UNIT. | 6. SUITABLE FOR INSTALLATION WITHIN THE CLOSET STORAGE SPACE. |
| 3. 24 VOLTS DC. | 7. INHERENTLY PROTECTED. |
| 4. SUITABLE FOR DAMP LOCATIONS. | 8. FIXTURE SHOULD BE INSTALLED BY TWO PEOPLE. |



mCove sample layout



mCove - Installation Instructions

Models M-

Please read all instructions prior to installation and keep for future reference!

1. PRODUCT TO BE INSTALLED BY A QUALIFIED ELECTRICIAN.
2. USE ONLY WITH CLASS 2 POWER UNIT.
3. 24 VOLTS DC.
4. SUITABLE FOR DAMP LOCATIONS.
5. SURFACE MOUNT ONLY.
6. SUITABLE FOR INSTALLATION WITHIN THE CLOSET STORAGE SPACE.
7. INHERENTLY PROTECTED.
8. FIXTURE SHOULD BE INSTALLED BY TWO PEOPLE.



REVO.2
12312024

3 / 4



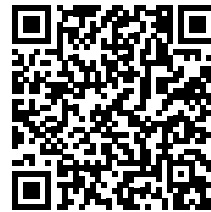
7777 Merrimac Ave
Niles, IL 60714
T 224.333.6033
F 224.757.7557
info@luminii.com
www.luminii.com

Power Supply Wiring Diagram

Note: Prior to installation all 24VDC wires must be present near fixture. Refer to the power supply installation instructions for additional information.



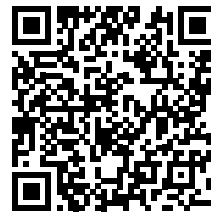
Static White
Wiring Diagram PDF



RGB/RGBW
Wiring Diagram PDF



Warm Dim
Wiring Diagram PDF



Pixel
Wiring Diagram PDF



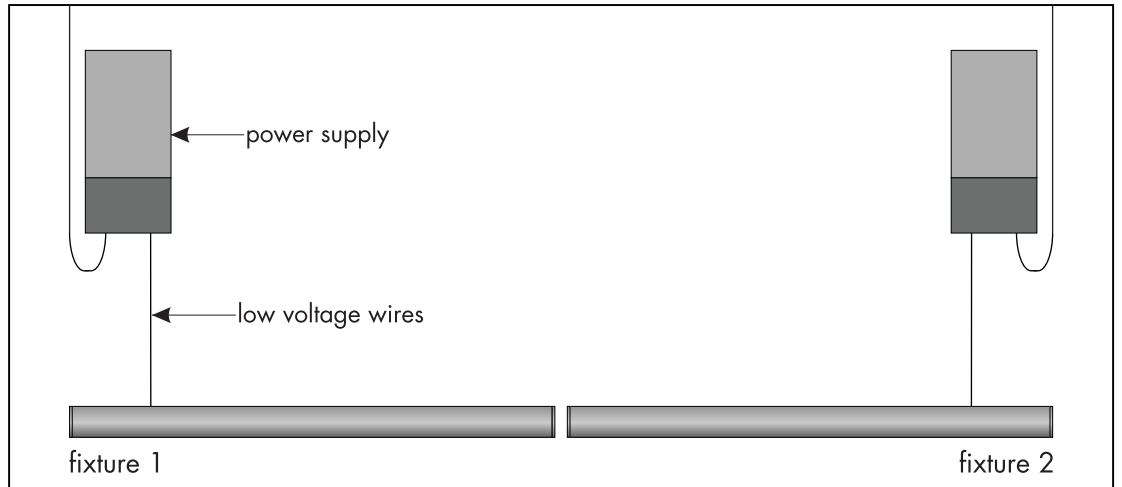
Tunable White
Wiring Diagram PDF

Please read all instructions prior to installation and keep for future reference!

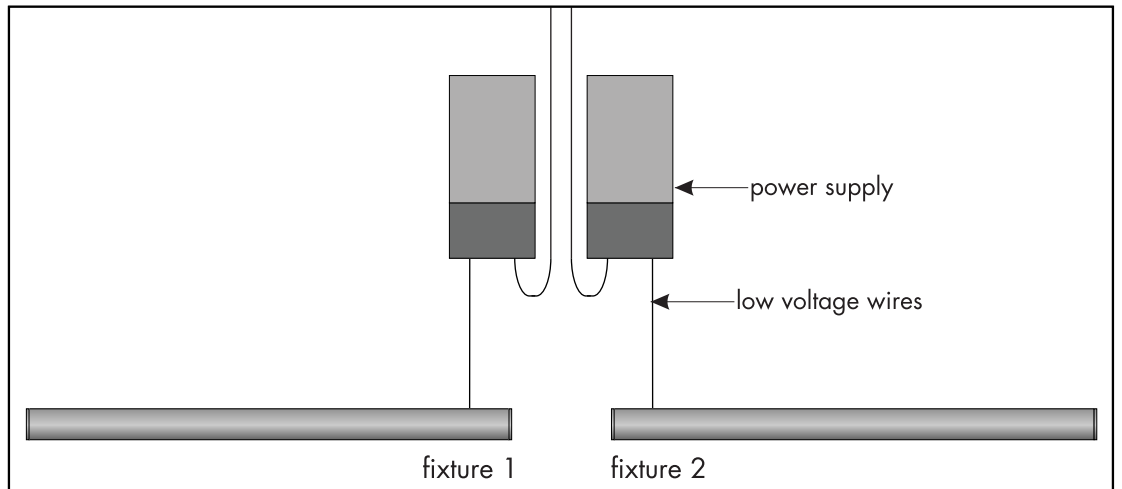
- 1. PRODUCT TO BE INSTALLED BY A QUALIFIED ELECTRICIAN.
- 2. USE ONLY WITH CLASS 2 POWER UNIT.
- 3. 24 VOLTS DC.
- 4. SUITABLE FOR DAMP LOCATIONS.
- 5. SURFACE MOUNT ONLY.
- 6. SUITABLE FOR INSTALLATION WITHIN THE CLOSET STORAGE SPACE.
- 7. INHERENTLY PROTECTED.
- 8. FIXTURE SHOULD BE INSTALLED BY TWO PEOPLE.

multiple powerfeed layouts

power supplies at the end of the run



power supplies in the middle of the run



consecutive layout, NOT RECOMMENDED

