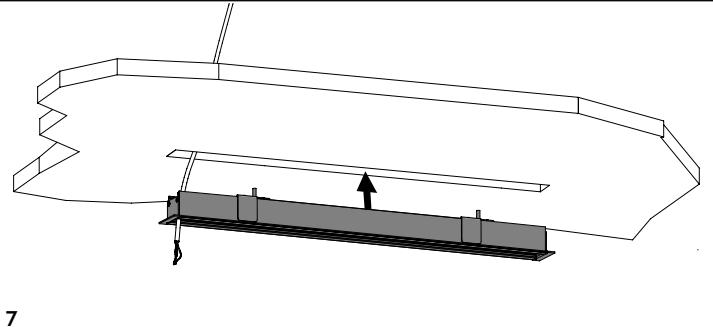
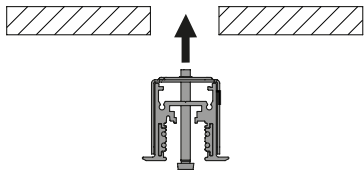


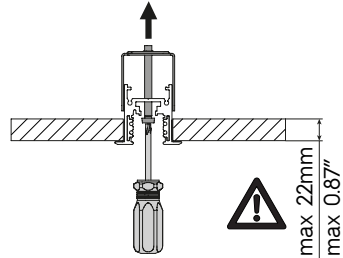
6



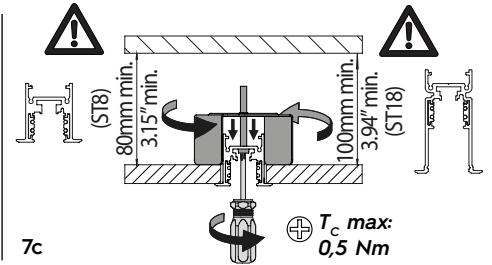
7



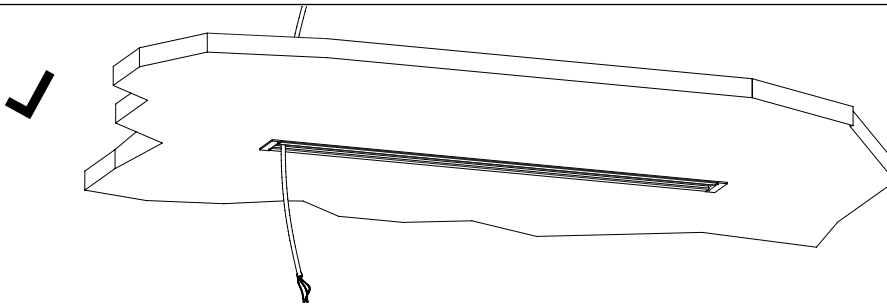
7a



7b

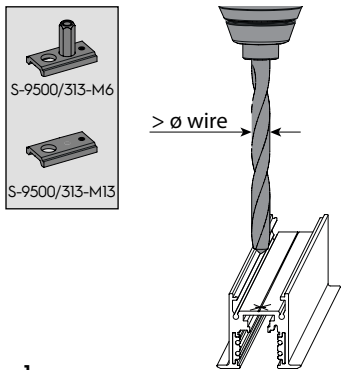


7c

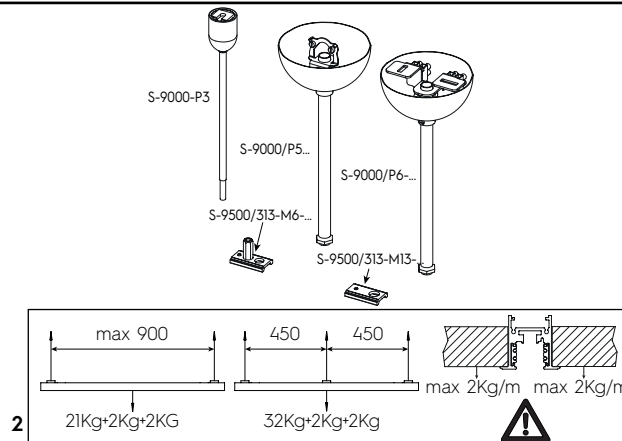


8

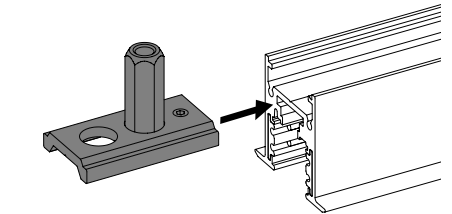
3b with rigid suspension sets



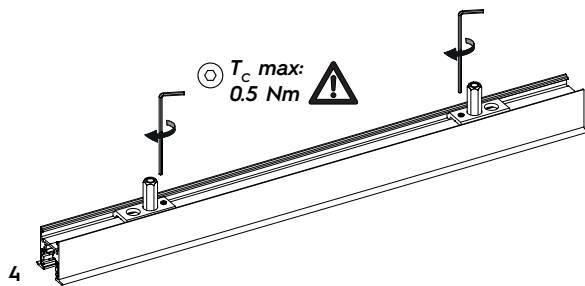
1



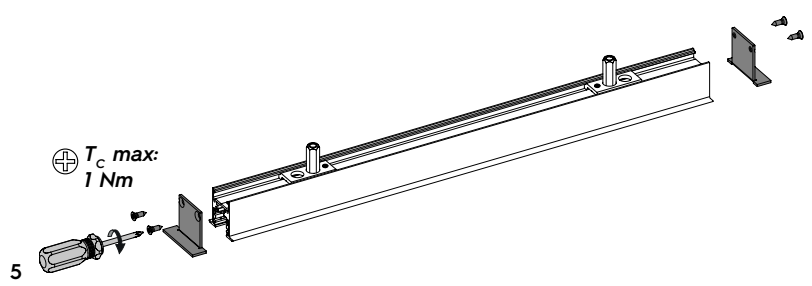
2



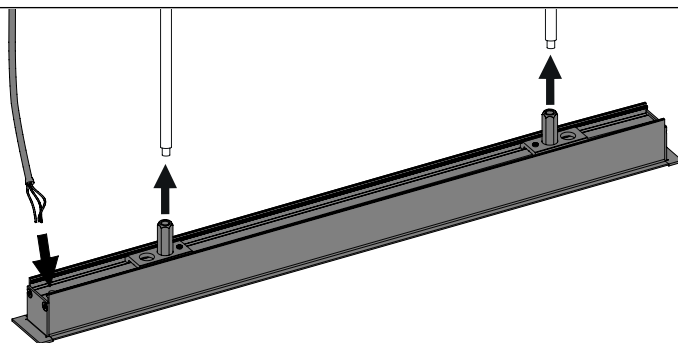
3



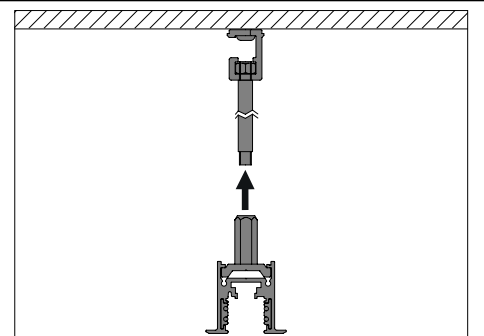
4

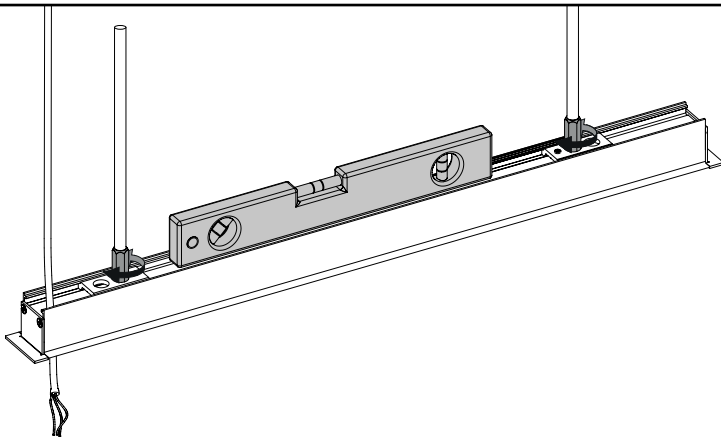


5

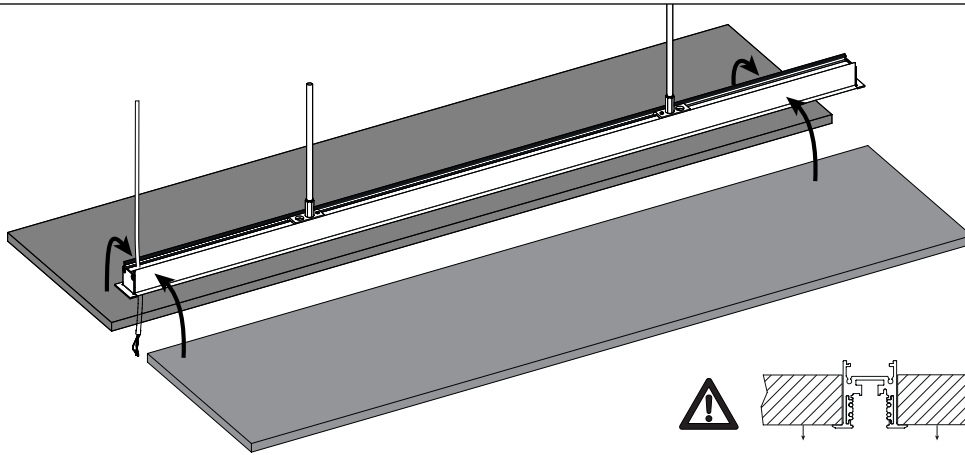
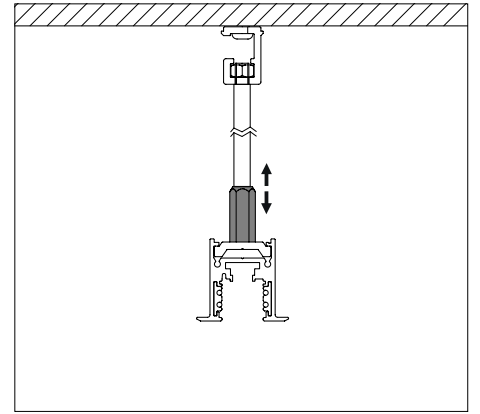


6

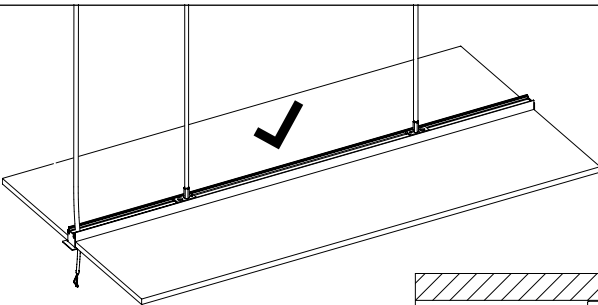
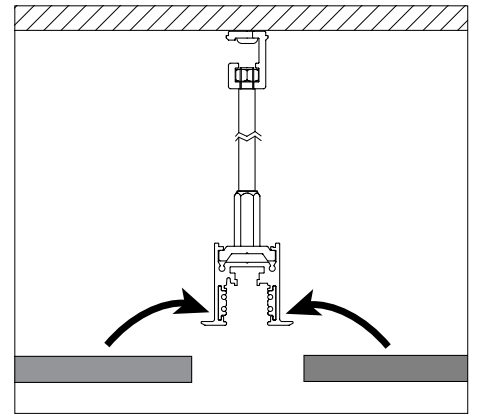




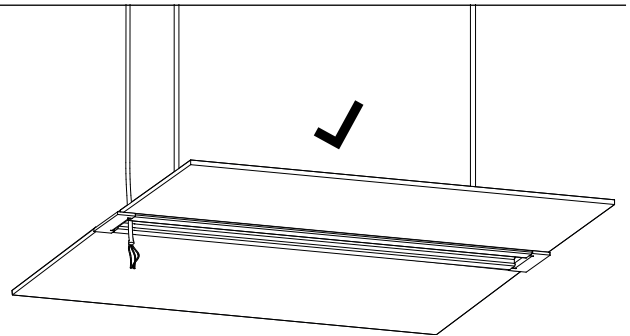
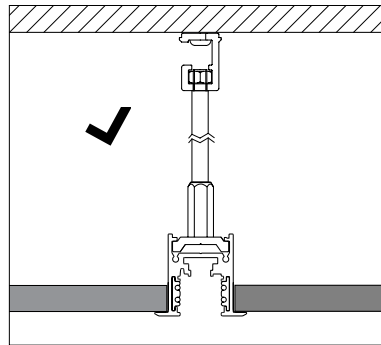
7



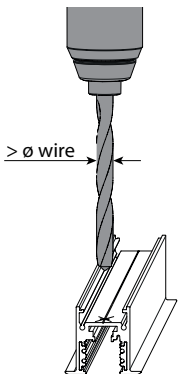
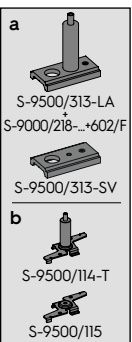
8



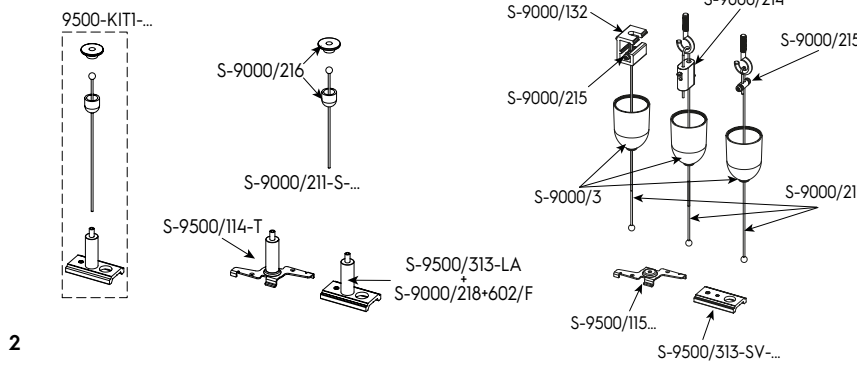
9



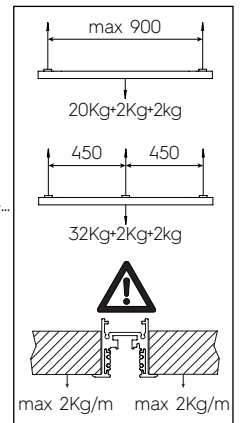
**3c with brackets/clamps**

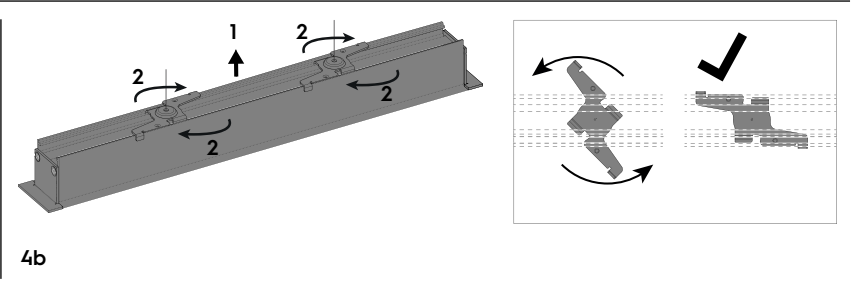
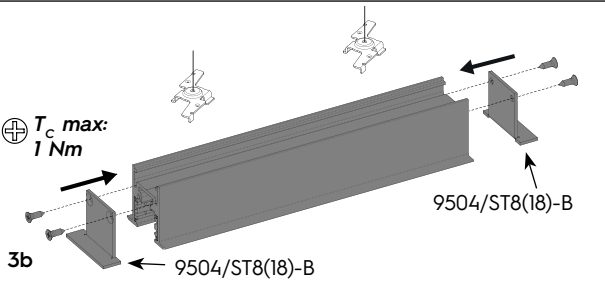
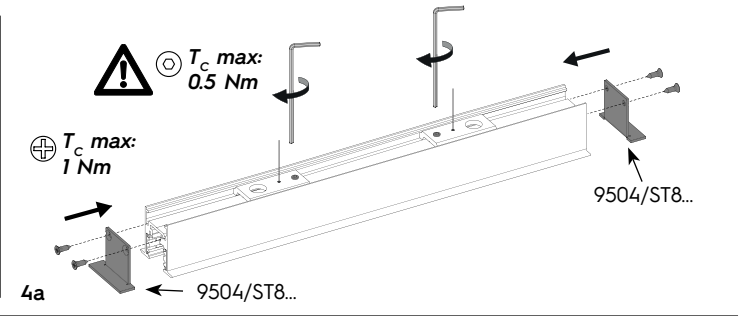
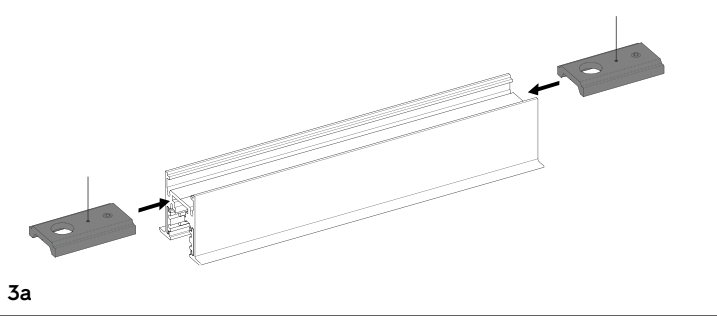


1

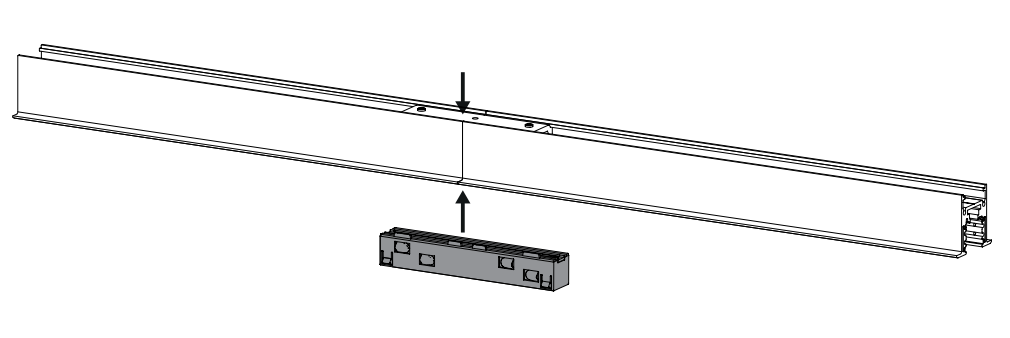
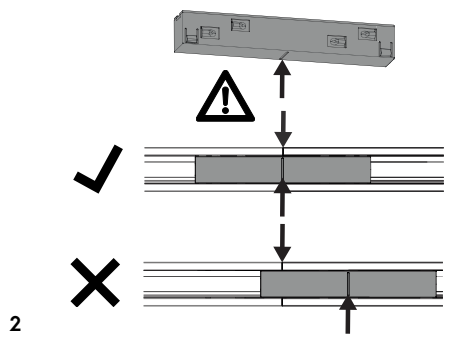
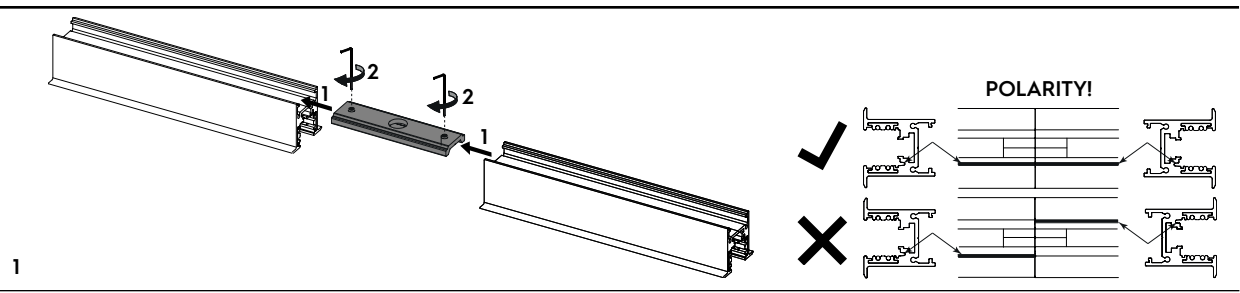


2

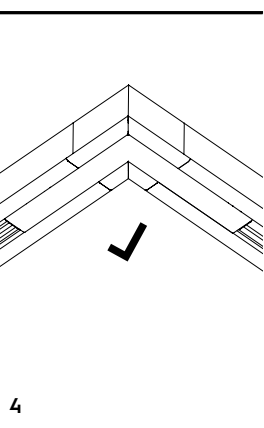
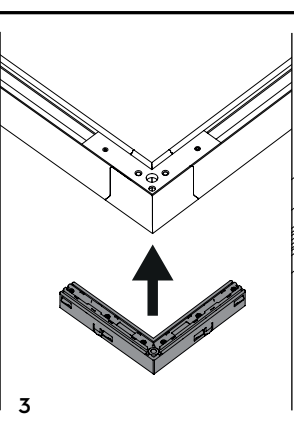
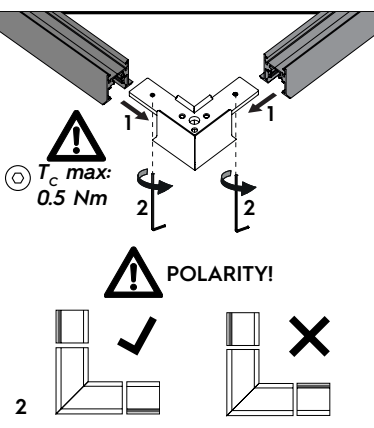
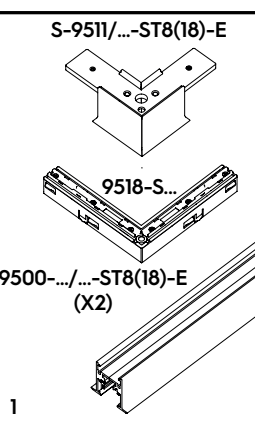




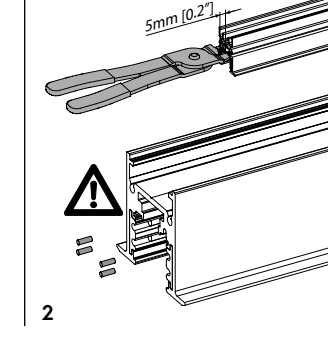
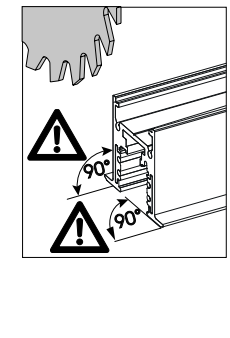
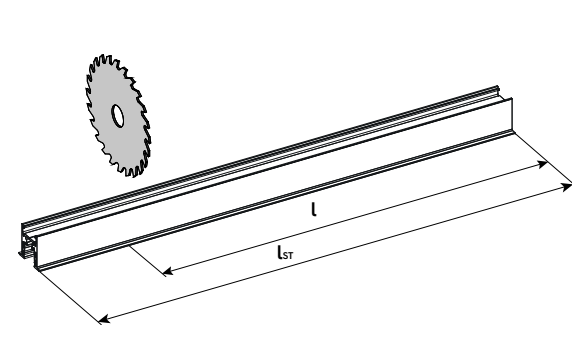
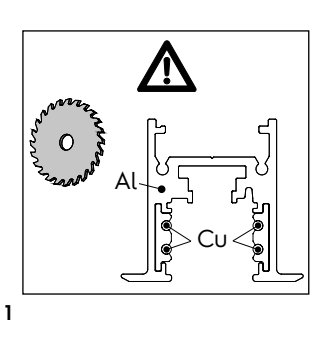
**4 - IN ROW USE**



**5 - S-9511/...-ST8-E**

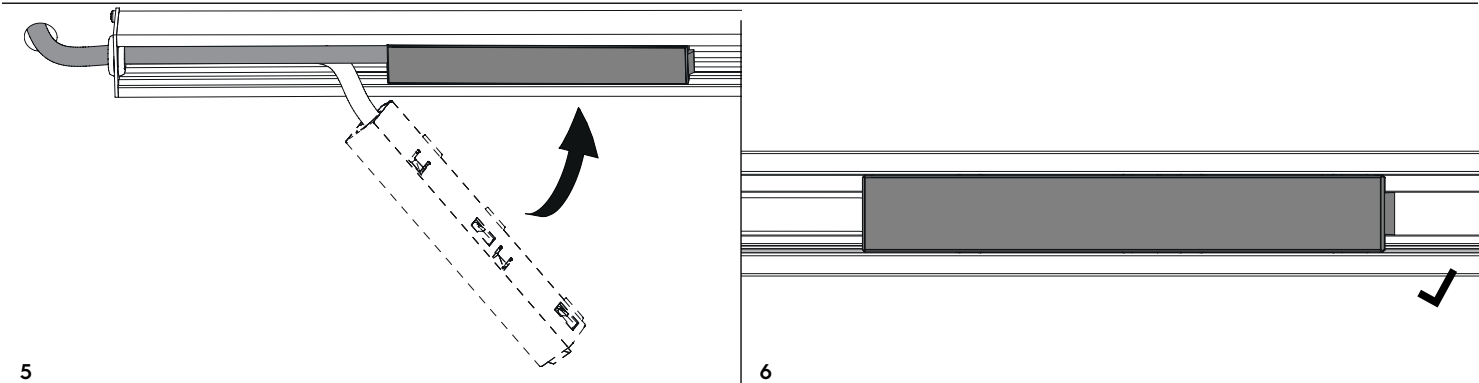
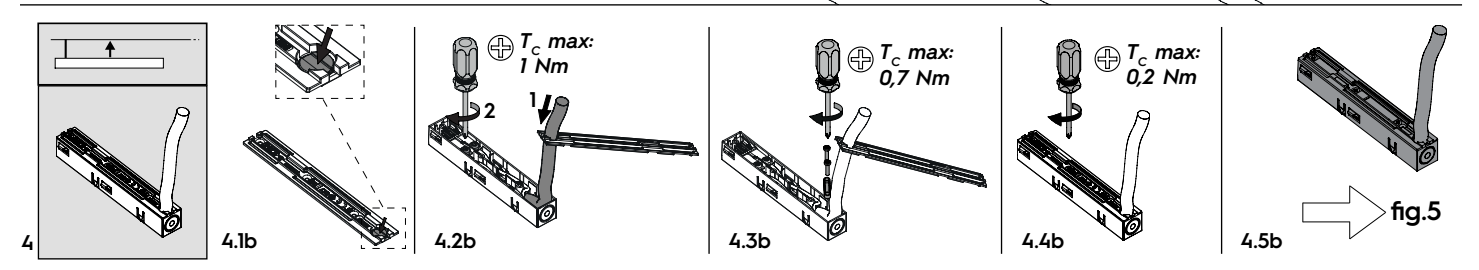
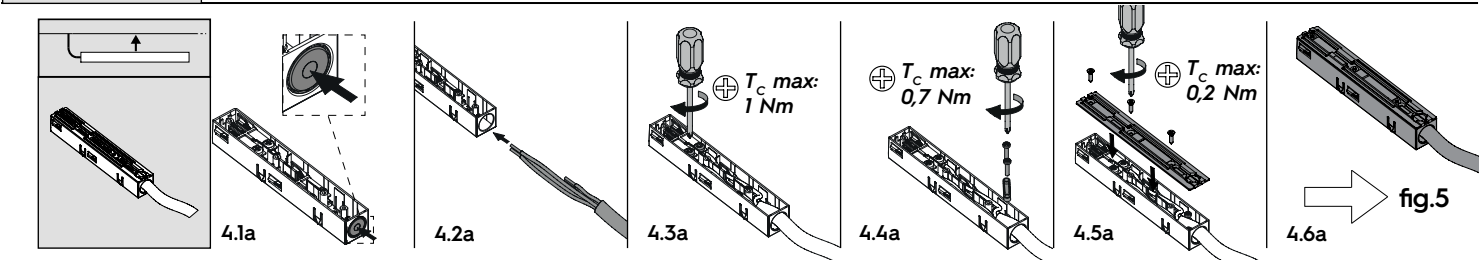
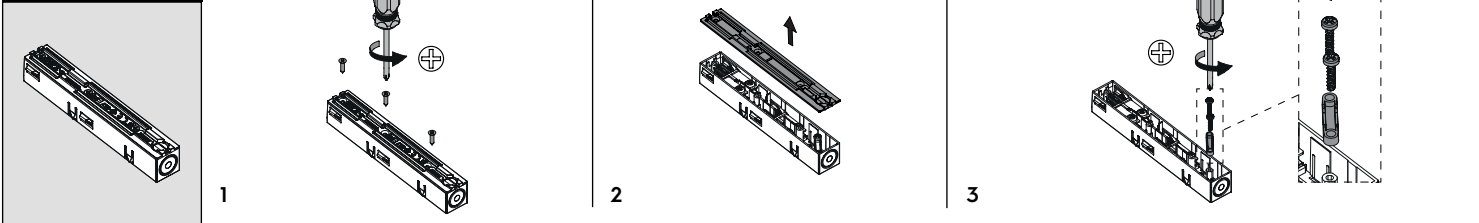


**6 - CUTTING**

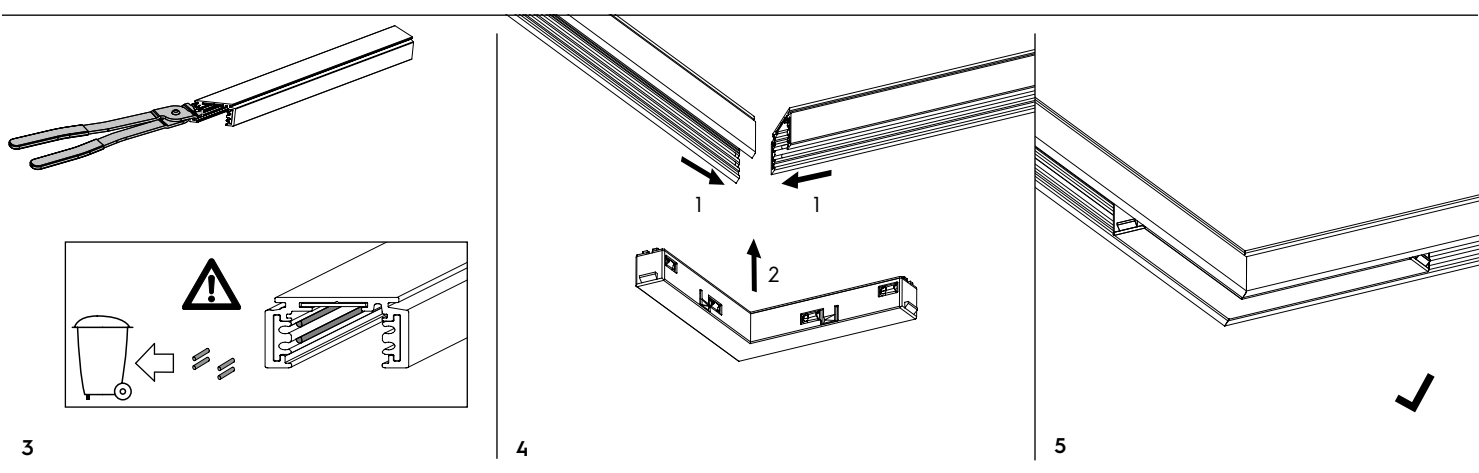
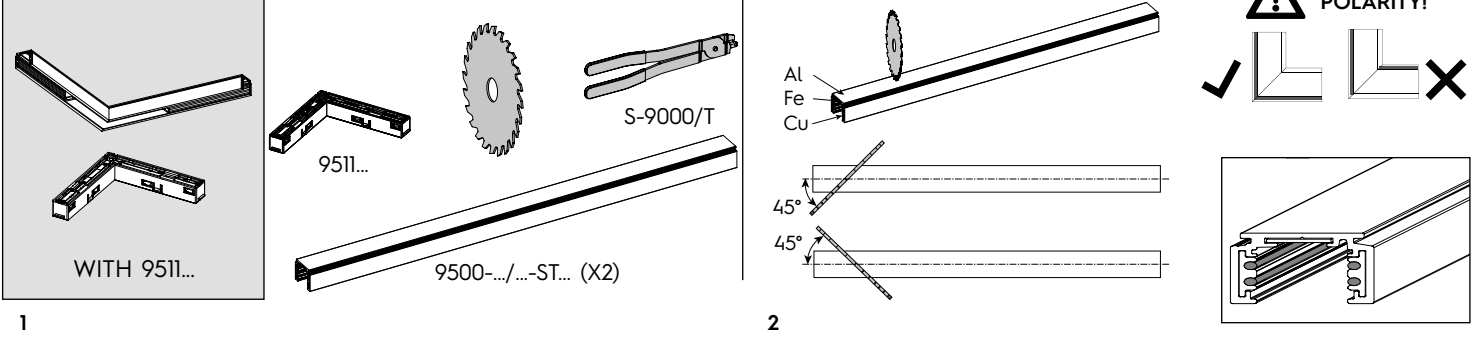




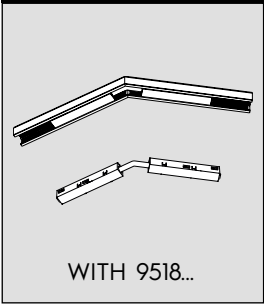
7 - 9501-S/...-E



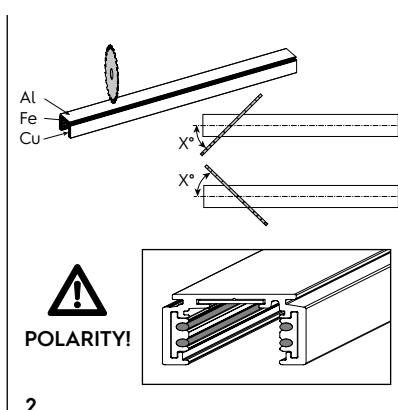
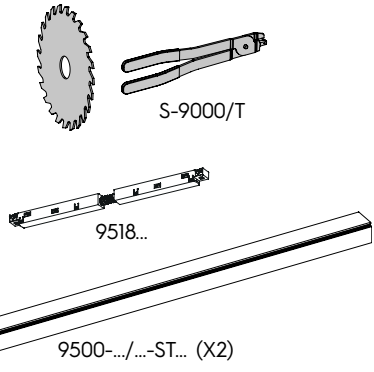
8 - 90° ANGLE



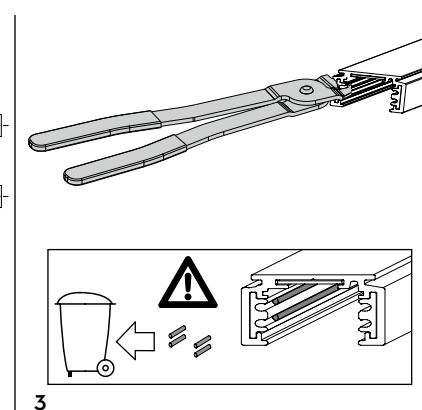
**9 - ≠ 90° ANGLE**



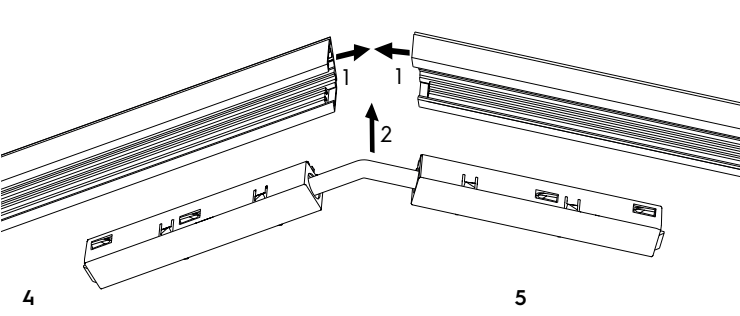
1



2



3



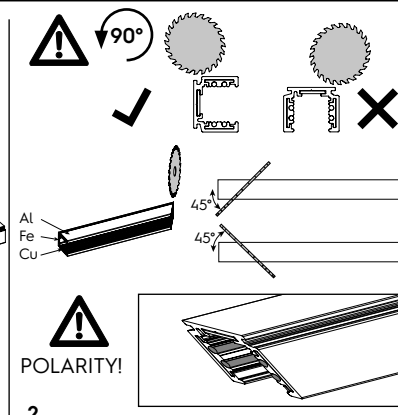
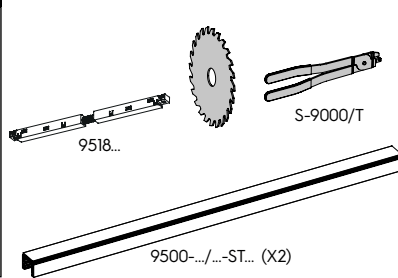
4

5

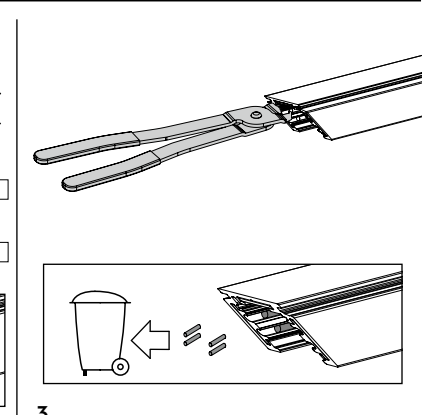
**10 - WALL CEILING 90° ANGLE**



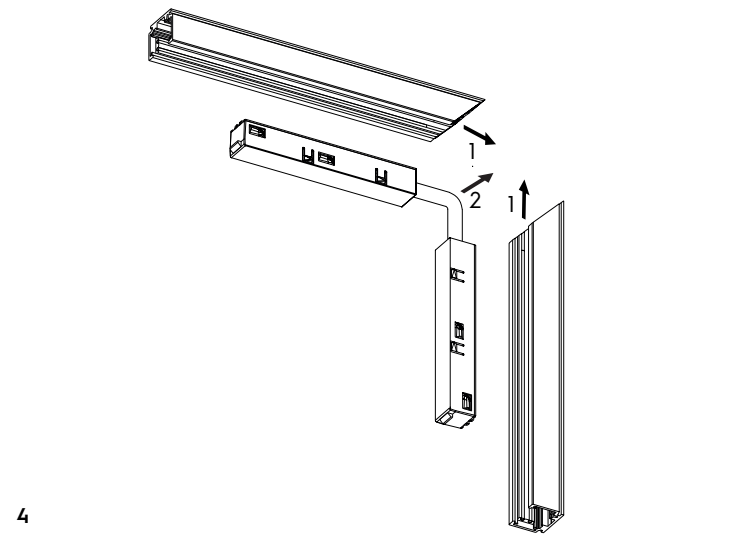
1



2



3



4

5