

Myka Trimless Recessed Installation Instructions

Myka Trimless Recessed

Please read all instructions prior to installation and keep for future reference!

1. PRODUCT TO BE INSTALLED BY A QUALIFIED ELECTRICIAN
2. USE ONLY WITH CLASS 2 POWER UNIT
3. 24 VOLTS DC
4. SUITABLE FOR DRY LOCATIONS ONLY
5. TYPE IC (CEILING AND WALL) INHERENTLY PROTECTED

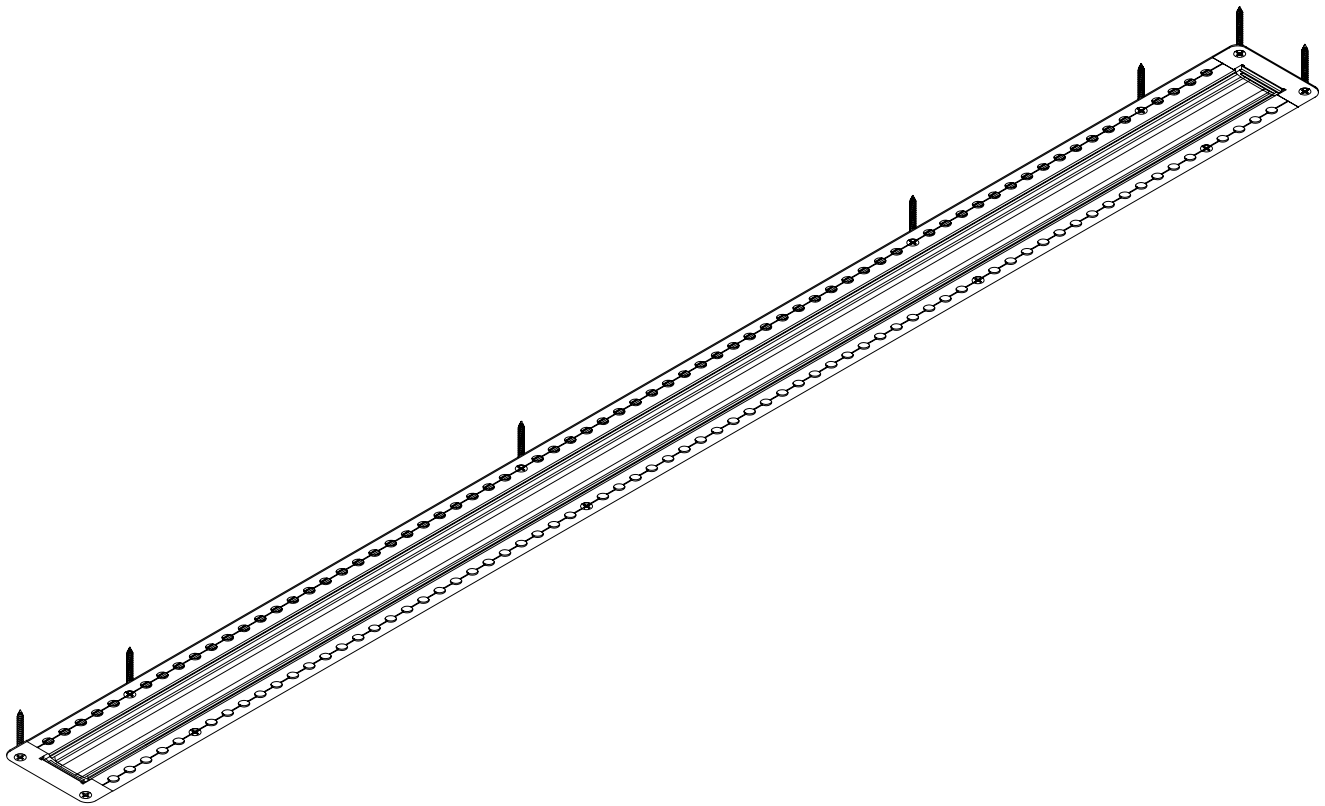


REVO.2
02092024

1 / 7



7777 Merrimac Ave
Niles, IL 60714
T 224.333.6033
F 224.757.7557
info@luminii.com
www.luminii.com



IMPORTANT SAFETY INSTRUCTIONS!

WHEN INSTALLING OR USING THIS TRACK SYSTEM, BASIC SAFETY PRECAUTIONS SHOULD ALWAYS BE FOLLOWED, INCLUDING:

- A. READ ALL INSTRUCTIONS.
- B. DO NOT INSTALL THIS TRACK IN DAMP OR WET LOCATIONS.
- C. DO NOT INSTALL ANY PART OF THE TRACK SYSTEM LESS THAN 5 FEET ABOVE THE FLOOR.
- D. DO NOT INSTALL ANY LUMINAIRE ASSEMBLY CLOSER THAN 6 INCHES FROM ANY CURTAIN, OR SIMILAR COMBUSTIBLE MATERIAL.
- E. DISCONNECT ELECTRICAL POWER BEFORE ADDING TO OR CHANGING THE CONFIGURATION OF THE TRACK.
- F. DO NOT ATTEMPT TO ENERGIZE ANYTHING OTHER THAN LIGHTING TRACK LUMINAIRES ON THE TRACK. TO REDUCE THE RISK OF FIRE AND ELECTRIC SHOCK, DO NOT ATTEMPT TO CONNECT POWER TOOLS, EXTENSION CORDS, APPLIANCES, AND THE LIKE TO THE TRACK.

Myka Trimless Recessed Installation Instructions

Myka Trimless Recessed

Please read all instructions prior to installation and keep for future reference!

1. PRODUCT TO BE INSTALLED BY A QUALIFIED ELECTRICIAN
2. USE ONLY WITH CLASS 2 POWER UNIT
3. 24 VOLTS DC
4. SUITABLE FOR DRY LOCATIONS ONLY
5. TYPE IC (CEILING AND WALL) INHERENTLY PROTECTED



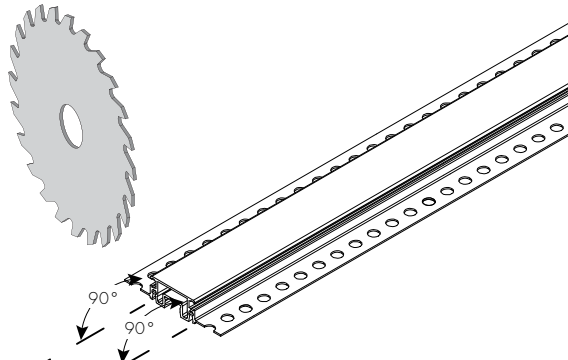
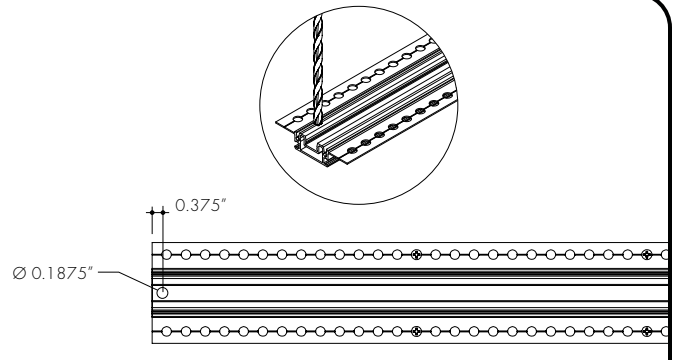
REVO.2
02092024

2 / 7

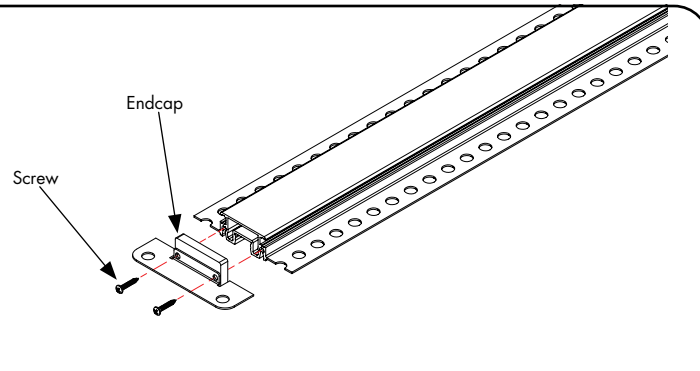


7777 Merrimac Ave
Niles, IL 60714
T 224.333.6033
F 224.757.7557
info@luminii.com
www.luminii.com

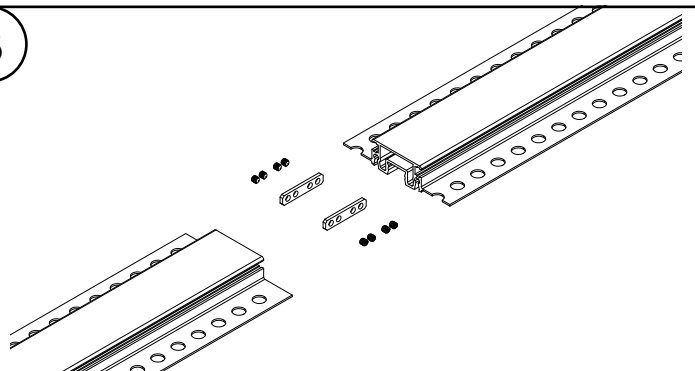
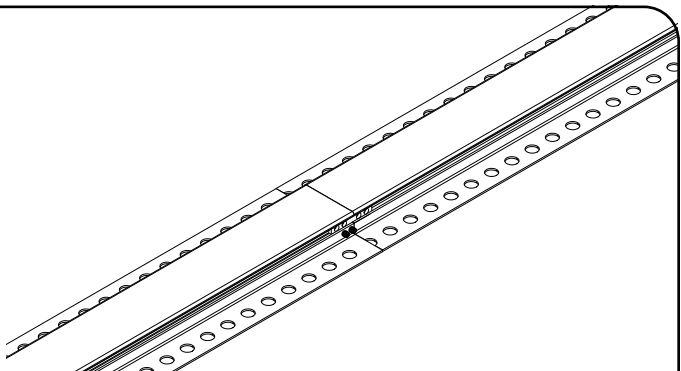
Field Preparation

	
<p>1</p> <p>1.1 Measure the area where the MKLC Channel will be installed.</p> <p>1.2 Carefully cut the MKLC channel in the field making sure that the extrusion is sitting perpendicular to the cutting surface. It is helpful to cut the extrusion and lens together.</p> <p>1.3 Remove the lens from each MKLC channel, make sure to label each lens and extrusion combination to help later avoid any mismatched sections.</p>	<p>1.4 Using a hand drill, drill a 3/16" hole, 3/8" from the end of the track housing. De-burr the hole or add a bushing/grommet to protect the power feed cable from damage.</p>

Endcap Installation


<p>2</p> <p>2.1 Using the provided screws, fasten the endcaps.</p>

Connecting Extrusion Sections

	
<p>3</p> <p>3.1 Insert two mechanical joiners into one extrusion end.</p>	<p>3.2 Slide the second extrusion end over the mechanical joiners and use the remaining set screws to make a secure, aligned join.</p>

Myka Trimless Recessed Installation Instructions

Myka Trimless Recessed

Please read all instructions prior to installation and keep for future reference!

1. PRODUCT TO BE INSTALLED BY A QUALIFIED ELECTRICIAN
2. USE ONLY WITH CLASS 2 POWER UNIT
3. 24 VOLTS DC
4. SUITABLE FOR DRY LOCATIONS ONLY
5. TYPE IC (CEILING AND WALL) INHERENTLY PROTECTED



REVO.2
02092024

3 / 7



7777 Merrimac Ave
Niles, IL 60714
T 224.333.6033
F 224.757.7557
info@luminii.com
www.luminii.com

Extrusion Drywall Installation

<p>4</p> <p>4.1 Route the power feed cable through the power feed hole created in Step 1.4. Then insert the extrusion into the drywall cut-out slot at an angle. The width of the cut-out slot should be 1.25" wide.</p>	<p>4.2 Screw through drywall into backer flange perforations using #6 size drywall screws.</p>
<p>4.3 For corner mounting, connect the straight run following step 3, then install the straight run and corner following step 4.1. Make sure to not fully screw the mounting screws into the drywall at this point.</p>	<p>4.4 Once extrusion section 1 (including corner) is partially installed into the wall/ceiling, tilt out the unconnected side of the corner section to line it up with the next straight section. Mate the corner section with the second extrusion the following instructions from step 3.</p> <p>NOTE: Make sure Section 2 is supported by either another person or has temporary supports installed while joining with corner</p>
<p>4.5 It is highly recommended to install the extrusion into the drywall with wooden backers to screw into. If there is no wall stud or wooden backer, use drywall anchor (not included)</p>	

Myka Trimless Recessed Installation Instructions

Myka Trimless Recessed

Please read all instructions prior to installation and keep for future reference!

1. PRODUCT TO BE INSTALLED BY A QUALIFIED ELECTRICIAN
2. USE ONLY WITH CLASS 2 POWER UNIT
3. 24 VOLTS DC
4. SUITABLE FOR DRY LOCATIONS ONLY
5. TYPE IC (CEILING AND WALL) INHERENTLY PROTECTED



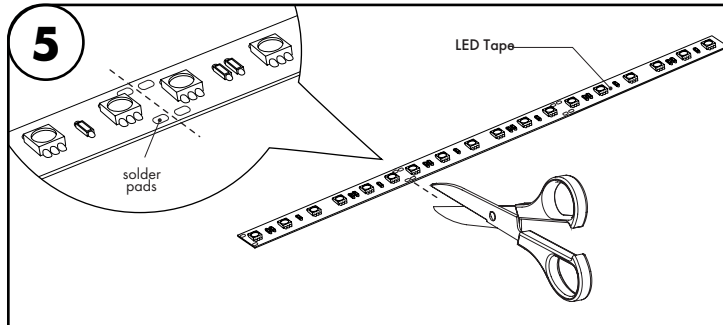
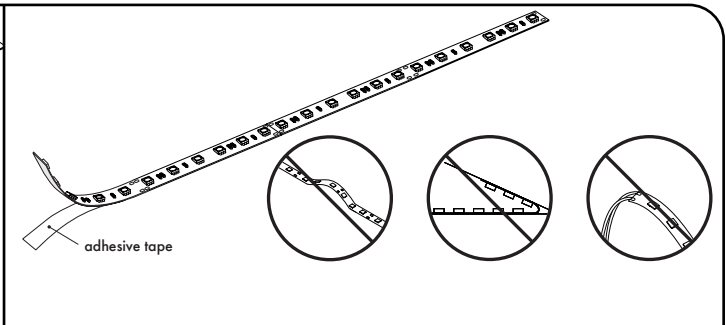
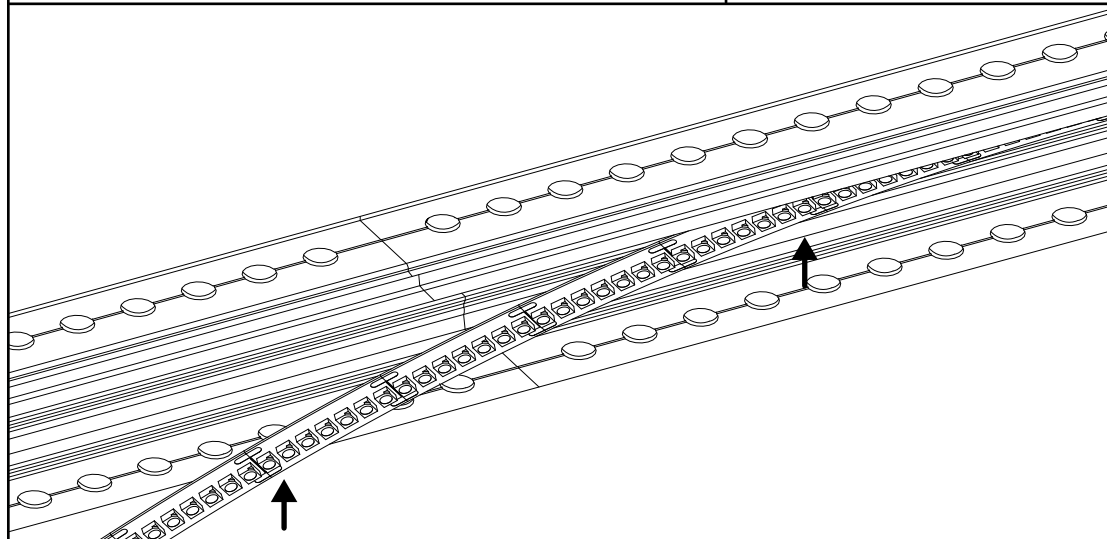
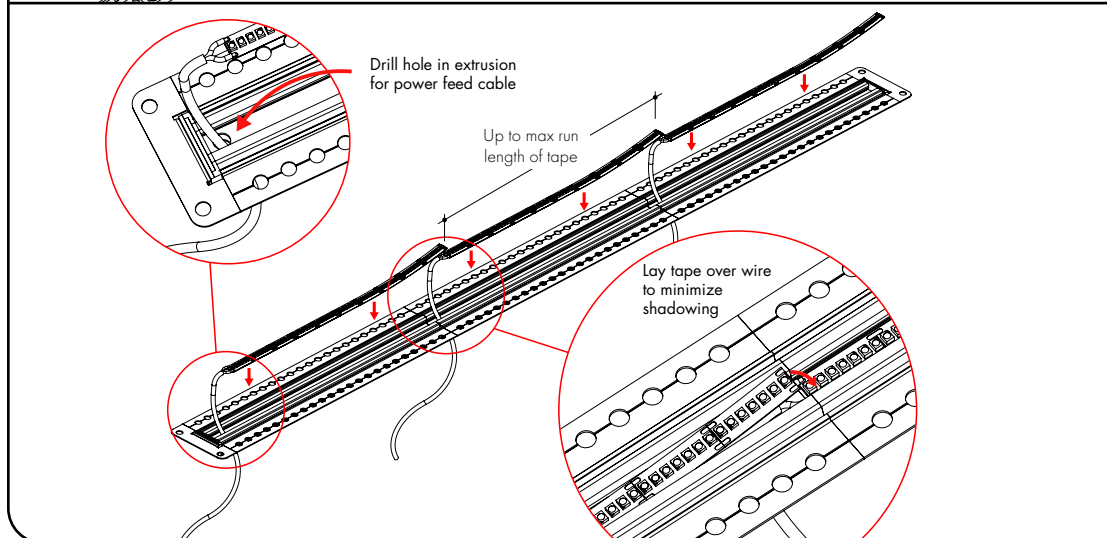
REVO.2
02092024

4 / 7



7777 Merrimac Ave
Niles, IL 60714
T 224.333.6033
F 224.757.7557
info@luminii.com
www.luminii.com

Tape Installation

<p>5</p> 	
<p>5.1 If length of LineLED needs to be adjusted on site, simply cut the LED strip in between solder pads. Always cut from end with no connector/wire leads.</p>	<p>NOTE: - When removing backing & laying LineLED to surface avoid installing with ripples & bending over 90°. Avoid sharp bends or bending near 1" on the solder joints.</p>
	<p>5.2</p> <p>Clean the area thoroughly where the LineLED will be installed. Remove the paper backing from the LineLED and firmly press down making sure there are no air bubbles that can cause surface irregularities. Do not remove the adhesive, removing the adhesive may cause arcing of the Line LED tape.</p>
	<p>5.3</p> <p>When starting a new tape section in the extrusion make sure to slightly overlap the tape on the power feed hole to minimize shadowing.</p>

Myka Trimless Recessed Installation Instructions

Myka Trimless Recessed

Please read all instructions prior to installation and keep for future reference!

1. PRODUCT TO BE INSTALLED BY A QUALIFIED ELECTRICIAN
2. USE ONLY WITH CLASS 2 POWER UNIT
3. 24 VOLTS DC
4. SUITABLE FOR DRY LOCATIONS ONLY
5. TYPE IC (CEILING AND WALL) INHERENTLY PROTECTED




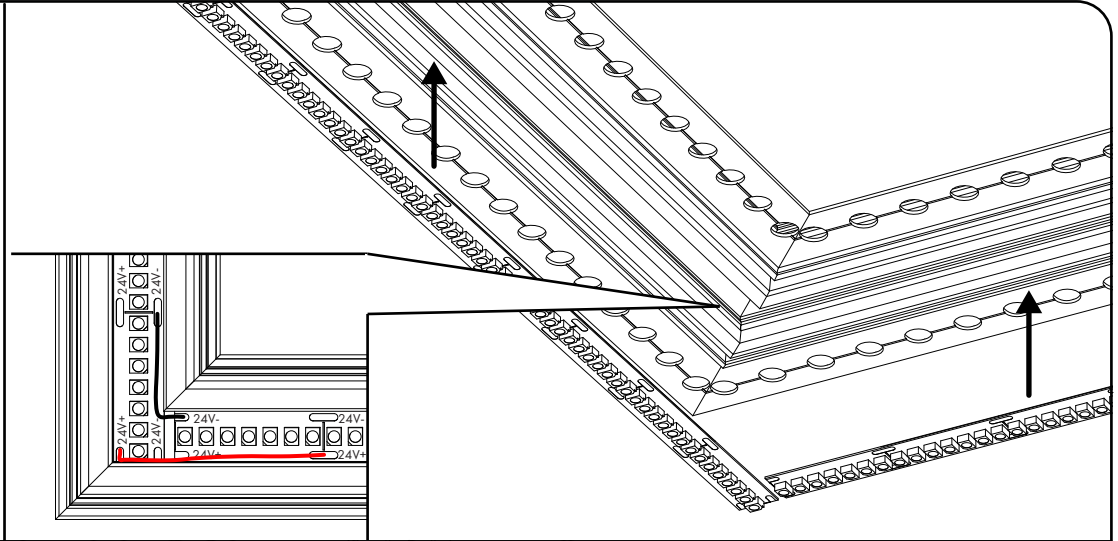
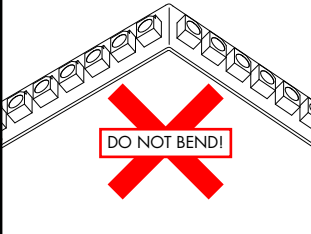
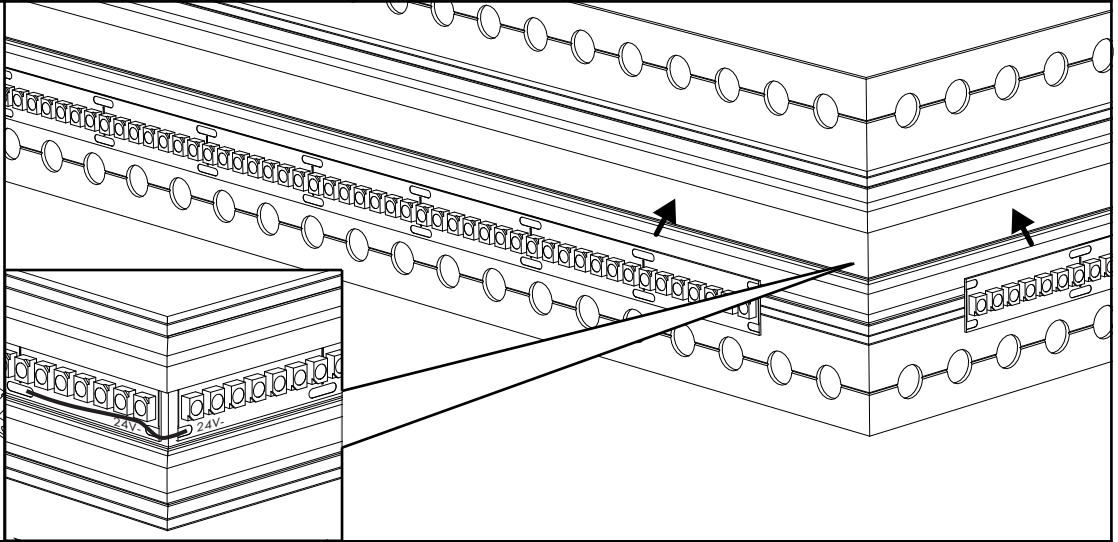
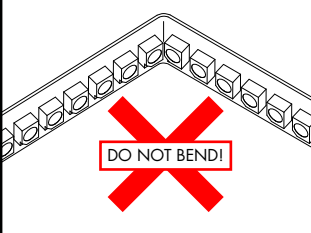
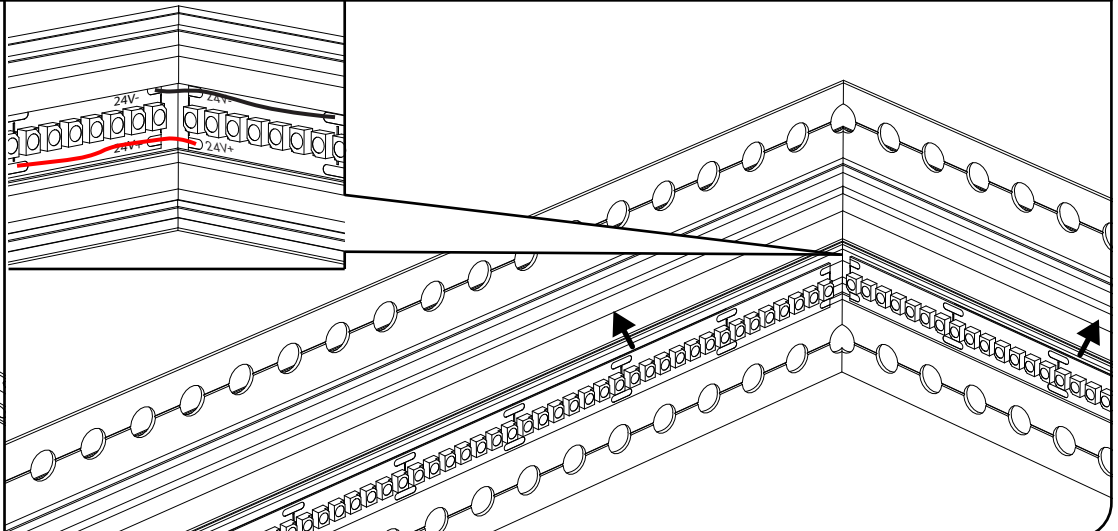
REVO.2
02092024

5 / 7



7777 Merrimac Ave
Niles, IL 60714
T 224.333.6033
F 224.757.7557
info@luminii.com
www.luminii.com

Corner Wiring Methods

<p>5</p> <p>5.4</p> <p>FLAT CORNER</p> <p>If the corner LED strips are being powered separately, skip to step 6</p> <p>If the LED strip is being powered around the corner, solder the +24VDC on one end of the tape to the +24VDC on the other end of the next tape. Likewise, solder the -24VDC on one end of the tape to the -24VDC on the other end of the next tape.</p> 	
<p>OUTSIDE CORNER</p> <p>See step 5.4 for wiring instructions</p> 	
<p>INSIDE CORNER</p> <p>See step 5.4 for wiring instructions</p> 	

Myka Trimless Recessed Installation Instructions

Myka Trimless Recessed

Please read all instructions prior to installation and keep for future reference!

1. PRODUCT TO BE INSTALLED BY A QUALIFIED ELECTRICIAN
2. USE ONLY WITH CLASS 2 POWER UNIT
3. 24 VOLTS DC
4. SUITABLE FOR DRY LOCATIONS ONLY
5. TYPE IC (CEILING AND WALL) INHERENTLY PROTECTED



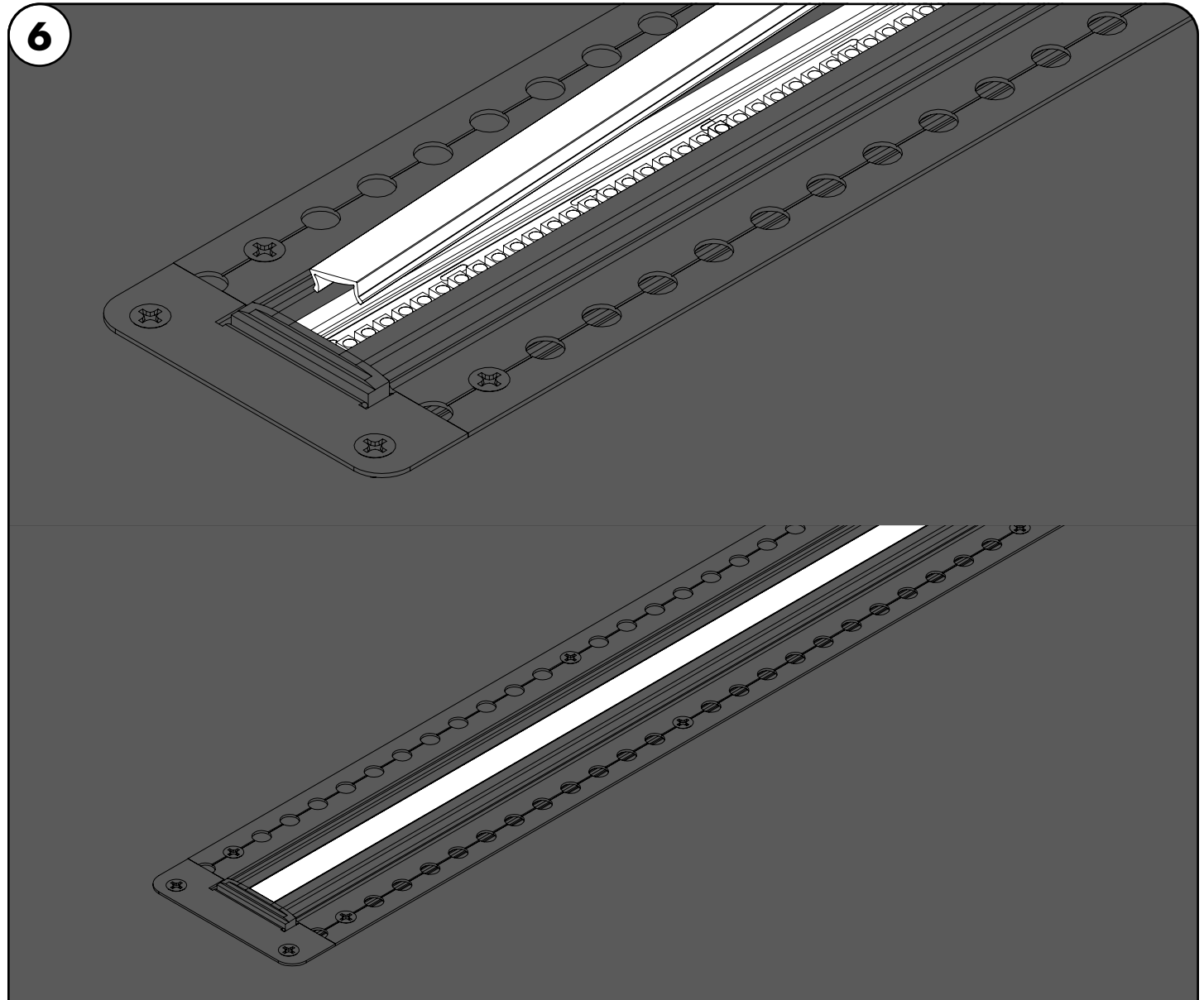
REVO.2
02092024

6 / 7



7777 Merrimac Ave
Niles, IL 60714
T 224.333.6033
F 224.757.7557
info@luminii.com
www.luminii.com

Lens Installation



6.1 Insert the lens edge into the inside of the extrusion followed by simultaneously rotating & pushing the lens completely inside the extrusion

NOTE If you are installing the Myka blade louver, please install carefully. Once the blade louver is installed, it cannot be removed without damaging it.

Myka Trimless Recessed Installation Instructions

Myka Trimless Recessed

Please read all instructions prior to installation and keep for future reference!

1. PRODUCT TO BE INSTALLED BY A QUALIFIED ELECTRICIAN
2. USE ONLY WITH CLASS 2 POWER UNIT
3. 24 VOLTS DC
4. SUITABLE FOR DRY LOCATIONS ONLY

5. TYPE IC (CEILING AND WALL) INHERENTLY PROTECTED



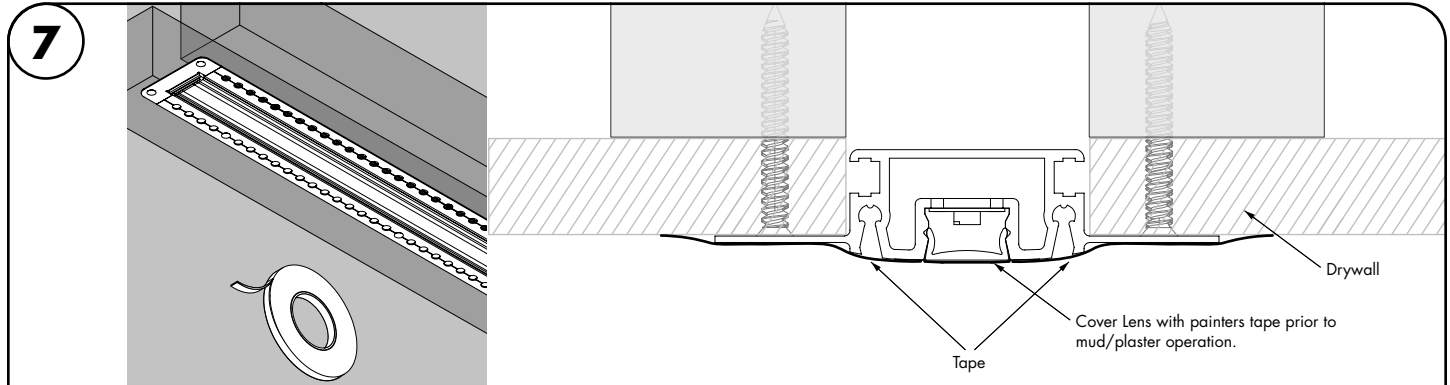
REVO.2
02092024

7 / 7

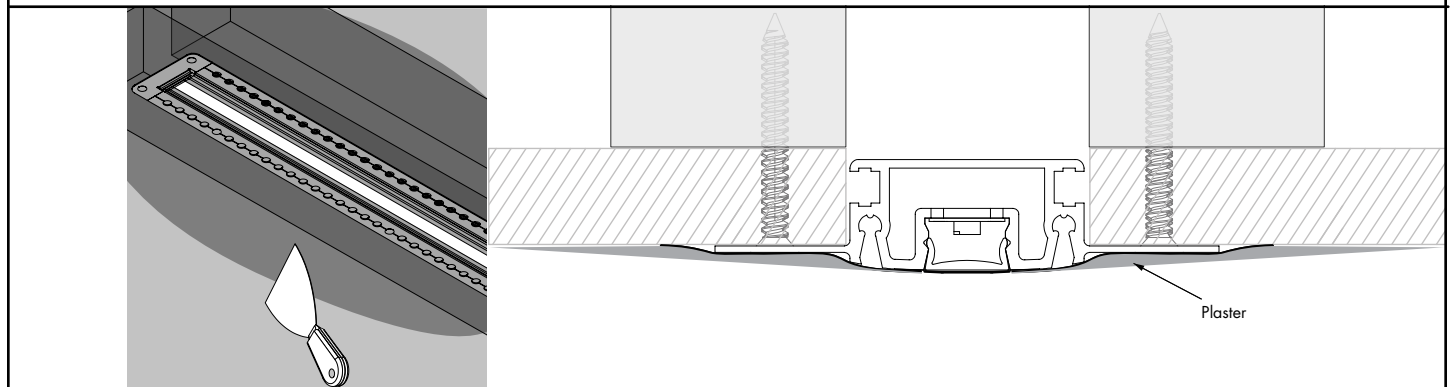


7777 Merrimac Ave
Niles, IL 60714
T 224.333.6033
F 224.757.7557
info@luminii.com
www.luminii.com

Plastering Process



- 7.1** Apply mudding tape to perimeter of slot.
Make sure to cover the extrusion lens with painters tape to keep it clean from mud in process.



- 7.2** Begin the spackling process making sure to cover entire extrusion up to lens edge, see image below for more details

