

Features



The Myka Recessed Trimless premium extrusion platform has been specifically designed for seamless continuous lines of light. With field cuttable extrusion and pre-welded corner configurations, this flush mud-in mounted extrusion can be used on drywall applications in a wide variety of configurations. Multiple diffuser lens options allow for great flexibility and adaptability for any application. Channels come included with end caps.

Finish

Silver anodized, White, Black, Bronze

Diffuser Lens

Polycarbonate, snap-in-place, UV resistant

Mounting

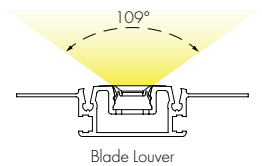
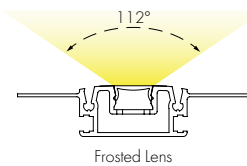
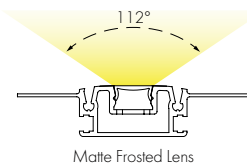
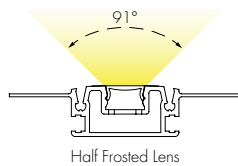
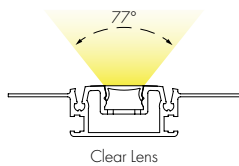
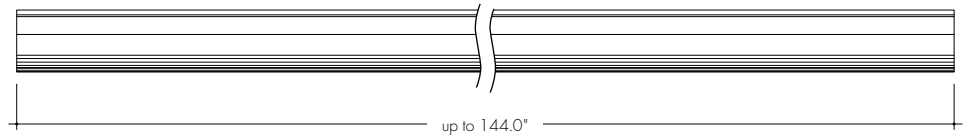
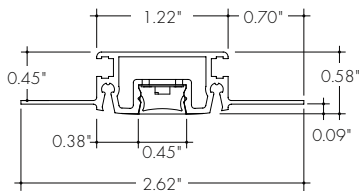
Integrated mud-in flange to be used with Number 6 size screws

Warranty

7 Years



Product Dimensions



MOUNTING ACCESSORIES

EXTRUSION LENGTH	INCLUDED SCREWS
48"	8
72"	12
96"	16
120"	18
144"	20

Each pair of endcaps includes 1x H3 (no wire feed hole) and 1x H4 (with hole) where applicable. Additional endcaps and mounting clips are available for purchase.

TRANSMISSION PERCENTAGE (COMPARED TO LED TAPE WITHOUT CHANNEL)

LENS	TRANSMISSION %
Clear	74%
Half Frosted	62%
Matte Frosted	58%
Frosted	46%
White Blade Louver	37%
Black Blade Louver	25%

See LED tape spec sheet for lens dotting characteristics & compatibility

Ordering Code

MODEL	LENGTH	LENS	MOUNTING ²	FINISH
MKLC-Myka Recessed Trimless Channel ¹	48-48" 72-72" 96-96" ³ 120-120" ³ 144-144" ³	C-Clear F-Frosted HF-Half Frosted MF-Matte Frosted BLV-Black Blade Louver WLV-White Blade Louver	MF-Mounting Flange	MILL-Mill Finish

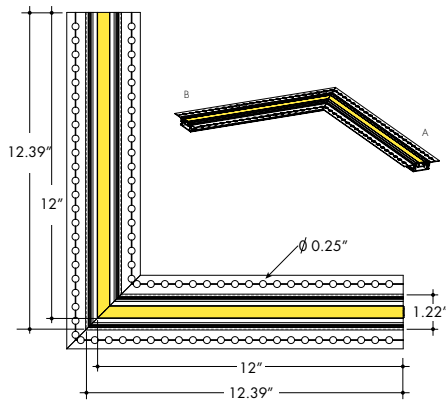
1 - Two End Caps are included with channel. Order additional End Caps as necessary.

2 - Mounting screws are included with channel. Refer to chart above for provided mounting screw quantities.

3 - For Channels and Lenses over 96", incremental shipping charges will apply.

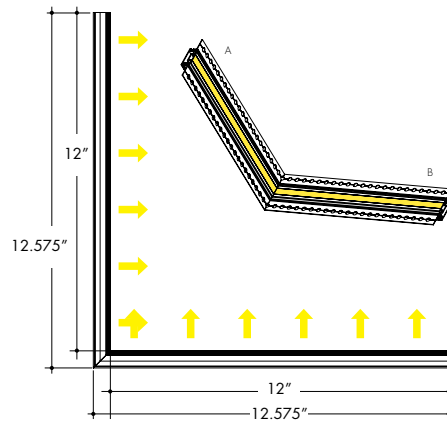
Myka Recessed Trimless Corner Dimensions

MKLC-FC-90
Flat Corner



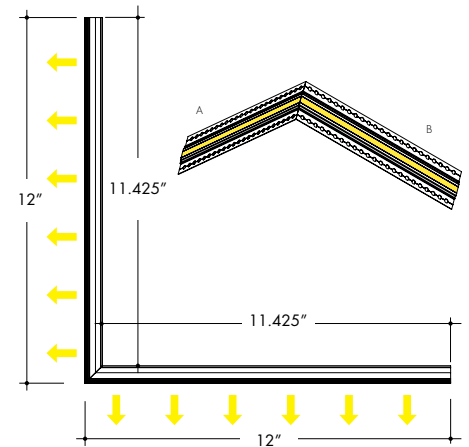
Light dimension is 12" x 12". Actual slot cut-out dimension is also shown.

MKLC-IC-90
Inner Corner



Light dimension is 12" x 12". Actual slot cut-out dimension is also shown.

MKLC-OC-90
Outside Corner



Light dimension is 12" x 12". Actual slot cut-out dimension is also shown.

Included Mounting Screws

Corner Option	FC-90	IC-90	OC-90
Number of Screws	4	4	4

Ordering Code

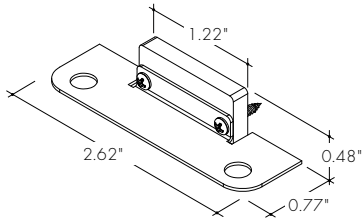
MODEL	CORNER TYPE	CORNER TYPE ¹	LENS	MOUNTING ²	FINISH
MKLC-Myka Recessed Trimless Channel	FC-Flat coner IC-Inside coner OC-Outside coner	90-90°	C-Clear F-Frosted HF-Half Frosted MF-Matte Frosted BLV-Black Blade Louver WLV-White Blade Louver	MF-Mounting Flange	MILL-Mill Finish

1 - Custom Corner angle are available upon request.

2 - Mounting screws are included with channel. Refer to chart above for provided mounting screw quantities.

Accessory Options

EC-MKLC-F-H3.
Endcap, mill finish



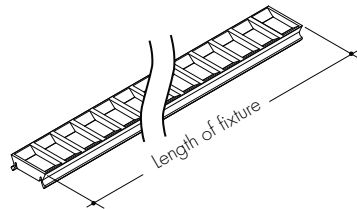
MCAL-SJ
Straight Joiner, 1 set of 2 needed per connection



One set of two is included per extrusion. Order additional as necessary

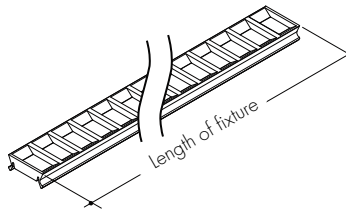
Regressed Blade Louver

LV-BL-MKC-12-BK
Blade Louver reduces glare at high angle in two directions
Also available with complete fixture, use ordering code
-BLV



This Black louver/lens combo comes in 12" increments and sits in place of a Myka lens, not in addition to.

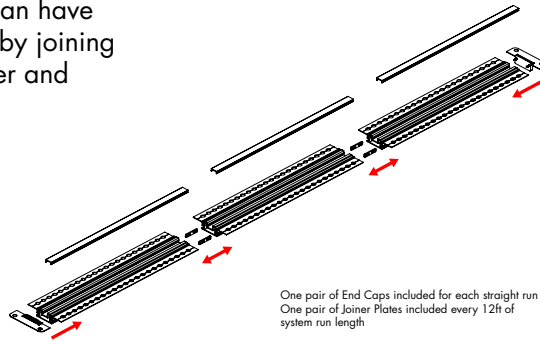
LV-BL-MKC-12-WH
Blade Louver reduces glare at high angle in two directions
Also available with complete fixture, use ordering code
-WLV



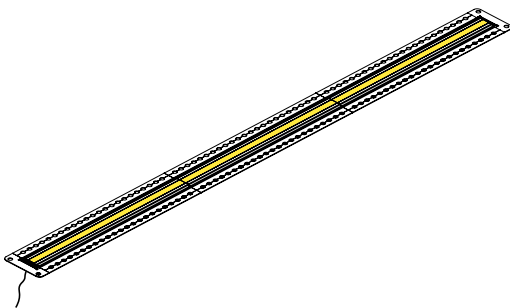
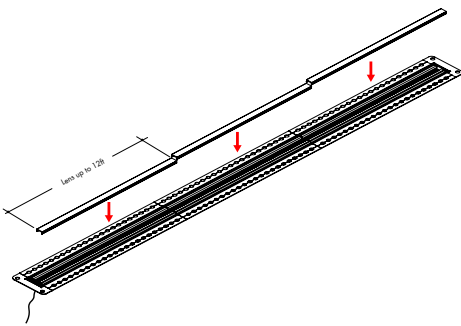
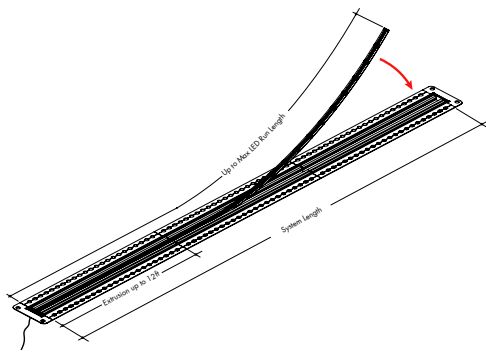
This White louver/lens combo comes in 12" increments and sits in place of a Myka lens, not in addition to.

Sample Layout

Myka Recessed Trimless can have seamless continuous runs by joining multiple extrusions together and laying in LED tape(s).

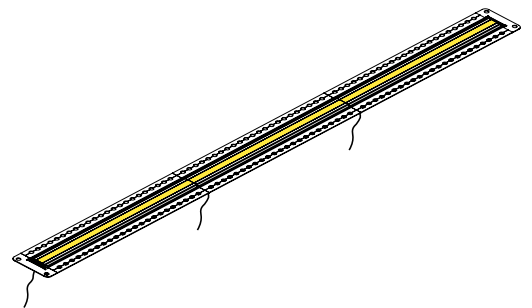
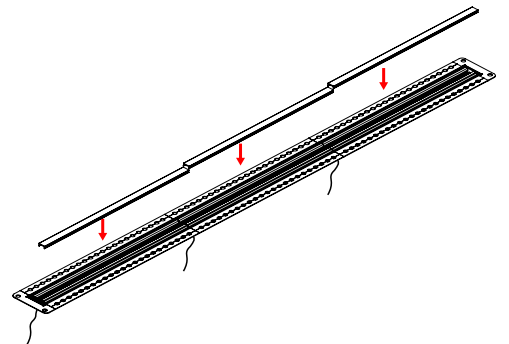
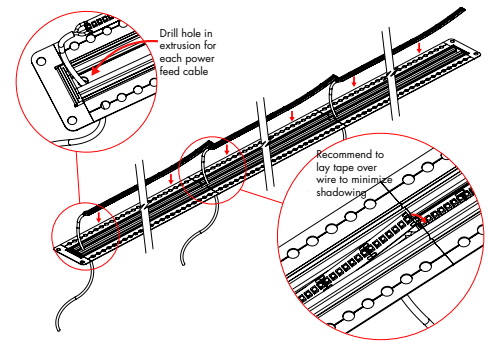


One LED strip, one Power Feed



Multiple LED strips, multiple power feeds.

For when the Myka continuous run exceeds 96W or the max run length of the LED strip



Sample Layout

