

Minii Connector

LL-PFC-10-72, LL-BSC-10, LL-PJC-10-03

Please read all instructions prior to installation and keep for future reference!

1. PRODUCT TO BE INSTALLED BY A QUALIFIED ELECTRICIAN.
2. PRIOR TO INSTALLATION, ENSURE POWER IS OFF AT FUSE BOX TO PREVENT ELECTRIC SHOCK.



REV.0.7
08092021

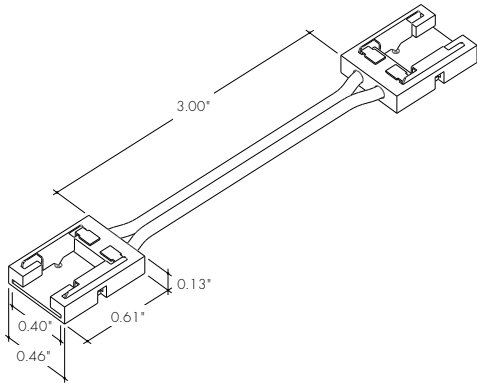
1 / 1



7777 Merrimac Ave
Niles, IL 60714
T 224.333.6033
F 224.757.7557
info@luminii.com
www.luminii.com

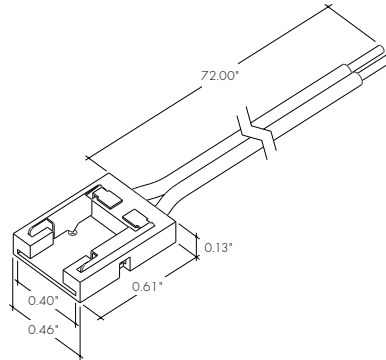
LL-PJC-10-03

Jumper minii connector with 3" wire for LL42/72 LED strip



LL-PFC-10-72

Power feed minii connector with 72" wire for LL42/72 LED strip



LL-BSC-10

Butt splice minii connector for LL42/72 LED strip

