

Features

The mCAL Channel is a linear aluminum extrusion that has been designed to fit surface mounted cover applications. Multiple reflector options allow for great flexibility and adaptability for any application. Also includes clear cover to avoid any debris from entering the extrusion. Extrusion is field cuttable. Substantial aluminum mass in profile provides excellent heat sink for high power LEDs.

Finish

Paint ready

Diffuser Lens

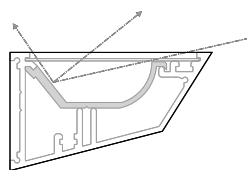
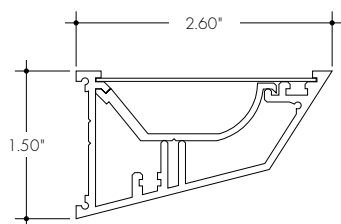
Polycarbonate, slide-in-place, UV resistant

Warranty

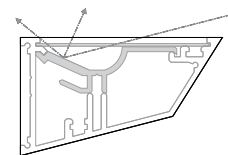
7 Years



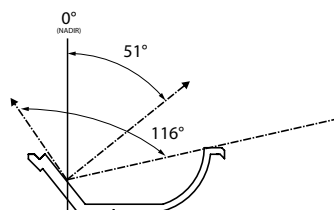
Product Dimensions



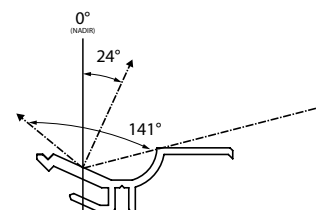
with Long Reflector, Clear Cover & End Cap



with Tall Reflector, Clear Cover & End Cap



Long Throw reflector Channel



Tall Throw reflector Channel

INCLUDED MOUNTING ACCESSORIES

EXTRUSION LENGTH	FIXED CLIP
72"	3
144"	5

TRANSMISSION PERCENTAGE
(COMPARED TO LED TAPE WITHOUT CHANNEL)

LENS	TRANSMISSION %
Clear Lens	91%

See LED tape spec sheet for lens dotting characteristics & compatibility

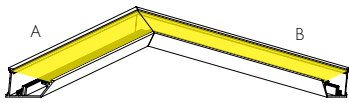
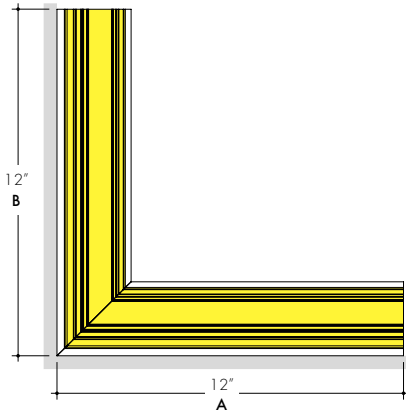
Ordering Code

MODEL	LENGTH	REFLECTOR	LENS	FINISH
MCAL - MCAL Aluminum Extrusion	72 - 72" 144 - 144" ¹	LT - Long Throw TT - Tall Throw	C - Clear	PR - Paint Ready

1 - For Channels and Lenses over 96", incremental shipping charges will apply.

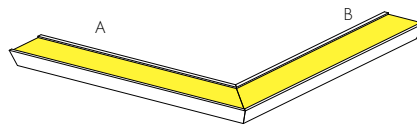
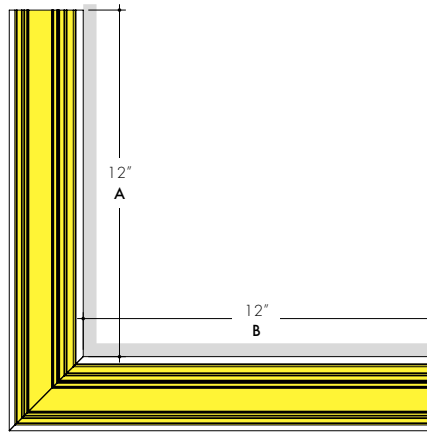
mCove Channel Corner Options

MCALC-IC-90
Inner Corner



Dimensions measured from the mounting surface side.

MCALC-OC-90
Outside Corner



Dimensions measured from the mounting surface side.

Ordering Code

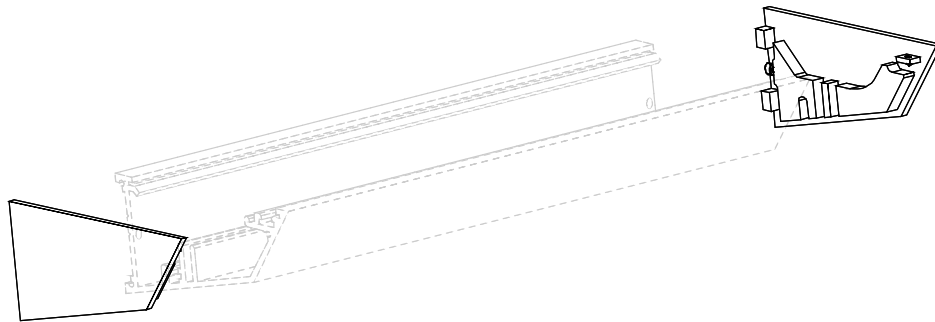
MODEL	CORNER TYPE	CORNER ANGLE ²	REFLECTOR	LENS	FINISH
MCAL-MCove Channel ¹ Corner	IC-Inner Corner OC-Outer Corner	90-90°	LT-Long Throw TT-Tall Throw	C-Clear	PR-Paint Ready

1 - End Caps are not included with channel, order End Caps as necessary.
2 - Custom Corner angle are available upon request.

Accessories

Accessories sold separately.

mCAL Channel End Caps



ORDERING CODE

EC-MCAL-LR-PR

EC-MCAL-LR-PR - End Caps - Includes a left and right end cap

mCAL Channel Straight Joiner

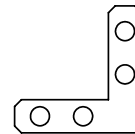


ORDERING CODE

MCAL-SJ

MCAL-SJ - Straight Joiner, 1 set of 2 needed per connection

mCAL Channel 90° Joiner

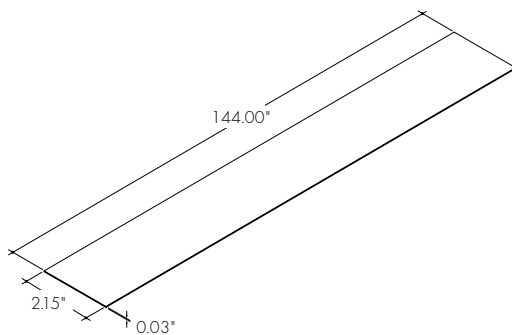


ORDERING CODE

MCAL-90J

MCAL-90J - 90° Joiner, 1 set of 2 needed per connection

mCAL Channel Clear Lens



ORDERING CODE

MCAL-C-144

MCAL-C-144 - Clear Lens, 144"

*Standard included on MCAL order code