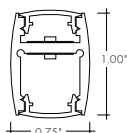


Features

- Extruded aluminum linear suspension system providing both direct and indirect light
- 24VDC Class 2 fixtures made to order up to 96"
- Suitable for suspended mount applications
- Class 2 listed for damp locations
- Dot free even illumination with frosted lens
- Direct lumens output is 42.5% of total lumens output from Technical Information.
- Warm Dim follows the incandescent dimming curve and is compatible with MLV, ELV, and Incandescent dimmers.
- Proprietary strong bond solder method handles up to 50 lbs of pull force on wire leads and connectors
- Average Life (L70): 50,000hrs
- 7 Year warranty



Warm Dimming



Finish Options (see page 2 for additional information)

- Base Silver Anodized
-
- Powder Coat Black Bronze White
-
- Premium Matte Black Warm Nickel Aged Brass Polished Gold Chrome



Technical Information

TYPE	Warm Dim
OUTPUT OPTIONS	WD68SO (19K-27K)
Lumens Output (Downlight + Uplight all channels full on) (with a Frosted Lens)	275 lm/ft
Average Power Consumption (Downlight + Uplight) (for a 4" section)	10.8 W/ft
Efficacy	43 lm/W
Max Run Length (in series)	10 ft
Ambient Operating Temperature Range*	-5°F - 105°F (-20°C - 40°C)
Control/Dimming Protocol	MLV, ELV, Inc.

Warm Dim (WD68)

CCT	TM-30			
	CRI	R _f	R _g	R ₉
1900K	96	92	96	94
2700K	96	93	106	95

* Ambient Operating Temperature Range to maintain L70 of 50k+ hours in normal mounting conditions for the fixture. Exceeding Ambient Operating Temperature Range may result in decreased life/output. Consult Technical Support for specific inquiries.

Ordering Code

MODEL	LENGTH ¹	OUTPUT	CCT	LENS	FINISH ^{2,3}	POWERFEED
LUC - Lucoo	24"-96" 3" increments	WD68SO - Standard	19K27K - 1900K - 2700K	F - Frosted	BASE SA - Silver Anodized POWDER COAT BK - Black BZ - Bronze WH - White PREMIUM MBK - Matte Black WN - Warm Nickel AB - Aged Brass PG - Polished Gold ⁴ CH - Chrome ⁴	R - Remote

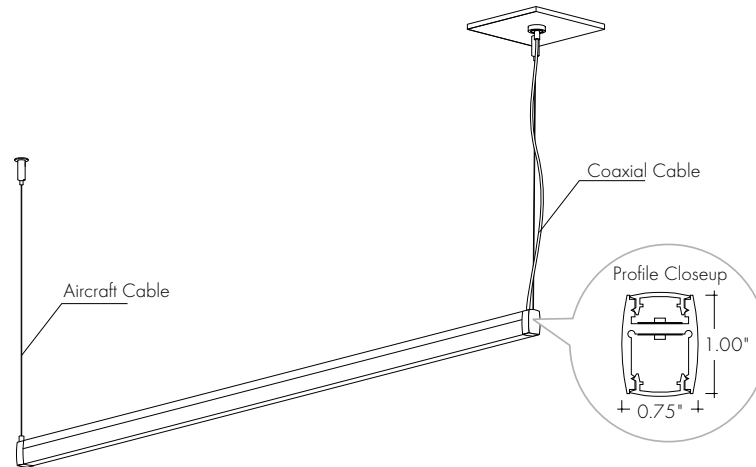
1 - Custom lengths and increments are available, please consult Inside Sales with specific request.

2 - Non Base finishes may have extended lead times. Custom RALs are available, please consult Inside Sales with specific request.

3 - White canopy included with all finishes except Black and Matte Black, which includes a Black canopy.

4 - Polished Gold finishes and Chrome finishes have a maximum fixture length of 96".

Product Dimensions



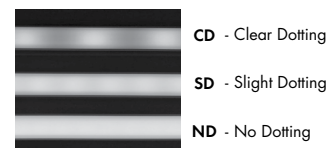
Finish Options

- Finish options are available in a wide variety, allowing for complete customization of style and aesthetic.
- Non Base finishes may have extended lead times.
- Polished Gold finishes have a maximum fixture length of 48", and Chrome finishes have a maximum fixture length of 72".
- Custom RALs are available, please consult Inside Sales with specific request.
- White canopy included with all finishes except Black and Matte Black, which include a Black canopy

<p>Silver Anodized Base</p>  <p>Silver Anodized is a soft silver with a clear finish.</p>	<p>Black Powder Coat</p>  <p>Black is a true deep black with a glossy finish.</p>	<p>Bronze Powder Coat</p>  <p>Bronze is a rich, dark brown with a satin finish.</p>	<p>White Powder Coat</p>  <p>White is a polar bright white and field paintable.</p>	<p>Matte Black Premium</p>  <p>Matte Black is a dark, pitch-black with a soft flat finish.</p>
<p>Warm Nickel Premium</p>  <p>Warm Nickel is a soft, silvery smoke with warm tones and a satin finish.</p>	<p>Aged Brass Premium</p>  <p>Aged Brass is a deep brown shade with slightly golden undertones.</p>	<p>Polished Gold Premium</p>  <p>Polished Gold is bright and radiant for a brilliant finish.</p>	<p>Chrome Premium</p>  <p>Chrome is a highly reflective silver polish.</p>	

Light Transmission and Dotting

Output Options	Lens			
	Frosted			
Dimming Level	100%	50%	10%	1%
WD68SO	ND	ND	ND	ND
Transmission Percentage	100%			



Power Consumption

Tested at Full Power with PS-UNI Series power supplies.

Standard Nominal Lengths offered provide minimal shadowing. For alternate lengths, please consult Inside Sales with specific request.

Warm Dim (WD68)

Nominal Length (in)	Actual Length	Watts	Nominal Length (in)	Actual Length	Watts	Nominal Length (in)	Actual Length	Watts
		SO			SO			SO
12	–	–	47	–	–	82	–	–
13	–	–	48	–	–	83	82 10/16	69.5
14	–	–	49	48 3/16	42.1	84	–	–
15	–	–	50	–	–	85	–	–
16	–	–	51	50 10/16	44.0	86	85 1/16	71.4
17	–	–	52	–	–	87	–	–
18	–	–	53	–	–	88	87 9/16	73.4
19	–	–	54	53 2/16	45.9	89	–	–
20	–	–	55	–	–	90	–	–
21	–	–	56	55 9/16	48.1	91	90	75.3
22	–	–	57	–	–	92	–	–
23	–	–	58	–	–	93	92 7/16	77.2
24	23 9/16	20.3	59	58	50.3	94	–	–
25	–	–	60	–	–	95	94 15/16	79.1
26	–	–	61	60 8/16	52.2	96	–	–
27	26	22.5	62	–	–			
28	–	–	63	62 15/16	54.1			
29	28 8/16	24.7	64	–	–			
30	–	–	65	–	–			
31	30 15/16	26.9	66	65 6/16	56.1			
32	–	–	67	–	–			
33	–	–	68	67 14/16	58.0			
34	33 7/16	29.0	69	–	–			
35	–	–	70	–	–			
36	35 14/16	31.2	71	70 5/16	59.9			
37	–	–	72	–	–			
38	–	–	73	72 13/16	61.8			
39	38 5/16	33.4	74	–	–			
40	–	–	75	–	–			
41	40 13/16	35.6	76	75 4/16	64.0			
42	–	–	77	–	–			
43	–	–	78	77 11/16	66.1			
44	43 4/16	37.7	79	–	–			
45	–	–	80	–	–			
46	45 11/16	39.9	81	80 3/16	67.8			

Voltage Drop Calculator

The below chart assumes nominal voltage of 24 Volts and a Voltage Drop Allowance of 3% through the wire

Wattage [W]	Wire Length From Power Supply to Start of Run [ft]						
	12 AWG	14 AWG	16 AWG	18 AWG	20 AWG	22 AWG	24 AWG
5	1088.2	684.4	430.3	270.6	170.2	107.1	67.3
10	544.1	342.2	215.1	135.3	85.1	53.5	33.7
15	362.7	228.1	143.4	90.2	56.7	35.7	22.4
20	272.0	171.1	107.6	67.7	42.6	26.8	16.8
25	217.6	136.9	86.1	54.1	34.0	21.4	13.5
30	181.4	114.1	71.7	45.1	28.4	17.8	11.2
35	155.5	97.8	61.5	38.7	24.3	15.3	9.6
40	136.0	85.5	53.8	33.8	21.3	13.4	8.4
45	120.9	76.0	47.8	30.1	18.9	11.9	7.5
50	108.8	68.4	43.0	27.1	17.0	10.7	6.7
55	98.9	62.2	39.1	24.6	15.5	9.7	6.1
60	90.7	57.0	35.9	22.6	14.2	8.9	5.6
65	83.7	52.6	33.1	20.8	13.1	8.2	5.2
70	77.7	48.9	30.7	19.3	12.2	7.6	4.8
75	72.5	45.6	28.7	18.0	11.3	7.1	4.5
80	68.0	42.8	26.9	16.9	10.6	6.7	4.2
85	64.0	40.3	25.3	15.9	10.0	6.3	4.0
90	60.5	38.0	23.9	15.0	9.5	5.9	3.7
96	56.7	35.6	22.4	14.1	8.9	5.6	3.5

Power Supplies

See fixture and power supply instructions & spec sheet for wiring information. Dimming possible in select models - view Luminii website for list of compatible dimmers.

For use with Warm Dim, WD68

Ordering Code Phase Dimming Power Supply 1% 120VAC - 277VAC

MODEL	INPUT CONTROL	ENVIRONMENT	WATTAGE	OUTPUT	OUTPUT CONTROL
PS-Power Supply, 120-277VAC	PH-Phase Dimming (Triac, ELV, MLV)	D-Dry	96-96 Watts	24-24 VDC	DC-Direct Current

MLV/ELV/TRIAC - 1% dimming, consult dimming compatibility chart [\(Link\)](#)

MODELS	96W
Length	8.25"
Width	4.10"
Depth	1.56"

