

Linii & Linii Corners - Installation Instructions

Models LIN-XX



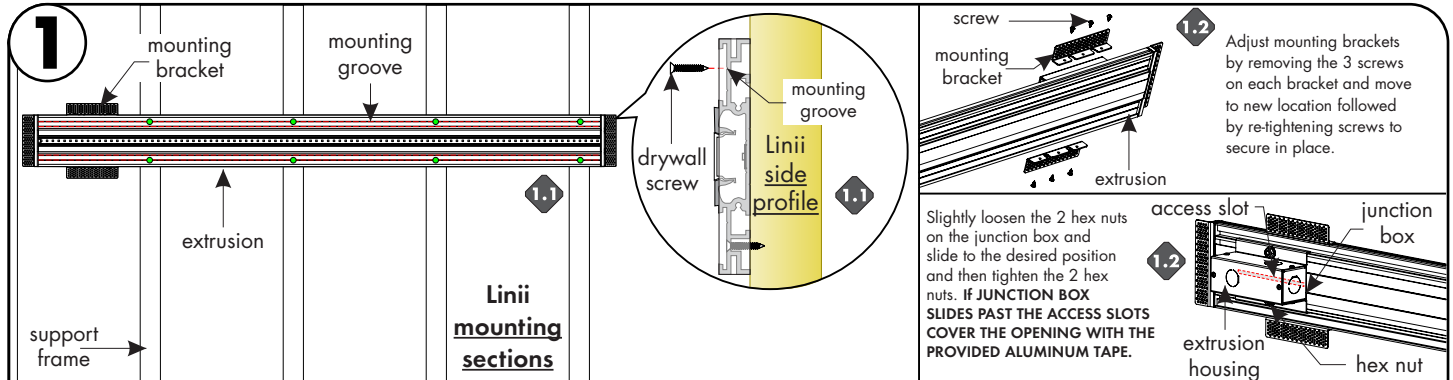
7777 Merrimac Ave
Niles, IL 60714
T 224.333.6033
F 224.757.7557
info@luminii.com
www.luminii.com

REVO.8
12312024

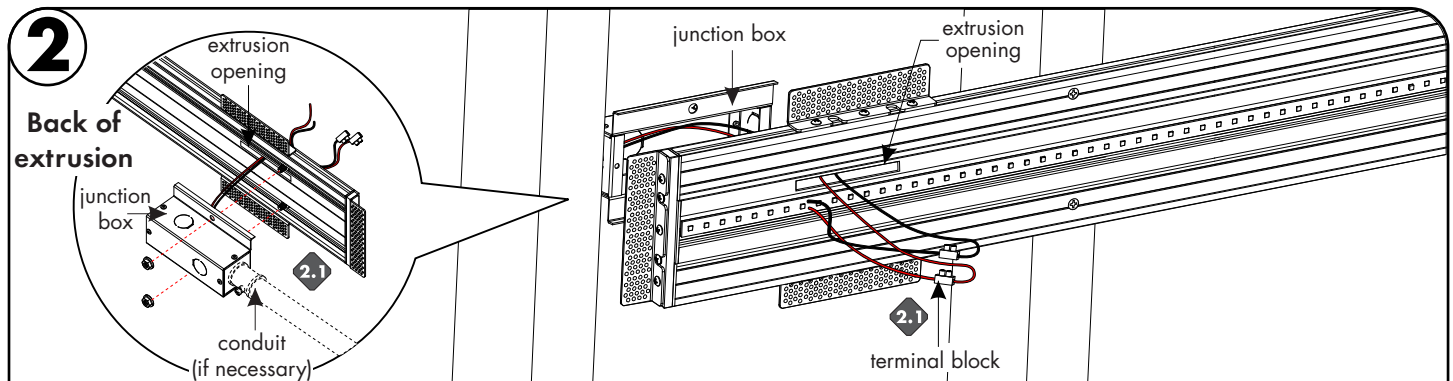
1 / 3

Please read all instructions prior to installation and keep for future reference!

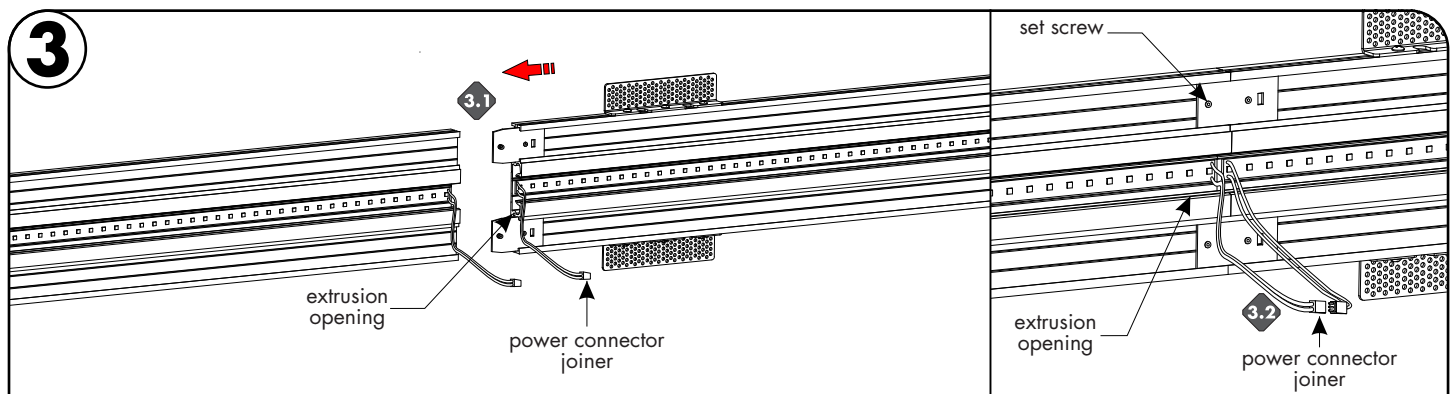
1. PRODUCT TO BE INSTALLED BY A QUALIFIED ELECTRICIAN.
2. USE ONLY WITH CLASS 2 POWER UNIT.
3. 24 VOLTS DC.
4. SUITABLE FOR DAMP LOCATIONS.
5. WALL/CEILING RECESSED MUD-IN.
6. TYPE IC.
7. INHERENTLY PROTECTED.
8. FIXTURE SHOULD BE INSTALLED BY TWO PEOPLE.



- 1.1** Determine the location of the installation, and then secure extrusion(s) to the support frame using drywall screws. Screws should be fastened every 16-18" depending on support frame and also at the ends of extrusion. **Follow diagram above for additional information. Make sure screw is fastened through mounting grooves on the extrusion housing. Mounting brackets should be used when support frame not available. (reference step 4 for more details).**
- 1.2** If necessary mounting brackets & junction box are adjustable if getting in the way of the support frame reference line drawings above.



- 2.1** Loosen & remove the flanged nuts from the back of the junction box. Depending on national & local codes run the proper conduit from the low voltage 24VDC power supply to the junction box.
- 2.2** Feed the extrusion opening with the power feed wires coming from the 24VDC power supply to the Linii 24VDC extrusion wires and secure by tightening each terminal block.



- 3.1** If joining multiple extrusion together: Slide the extrusion with joiners into the corresponding & secure by tightening the set screw on each joiner.
- 3.2** Plug the connector joiners together, and then tuck the joiners into the extrusion opening. **Both connector ends include male pins, remove it from one side. Disregard male pin unless other side get bent.**

Linii & Linii Corners - Installation Instructions

Models LIN-XX



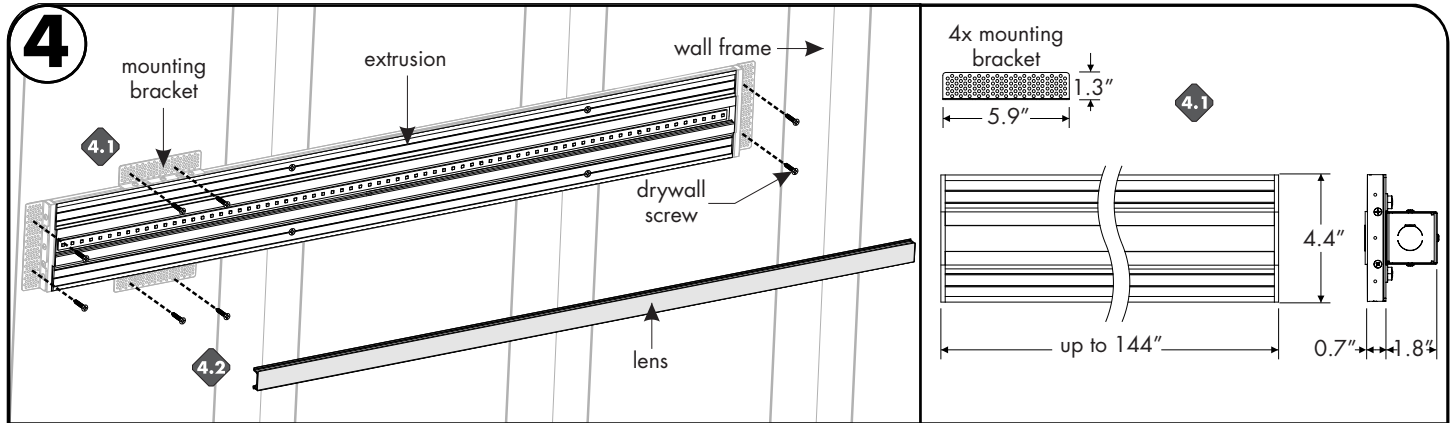
7777 Merrimac Ave
Niles, IL 60714
T 224.333.6033
F 224.757.7557
info@luminii.com
www.luminii.com

REVO.8
12312024

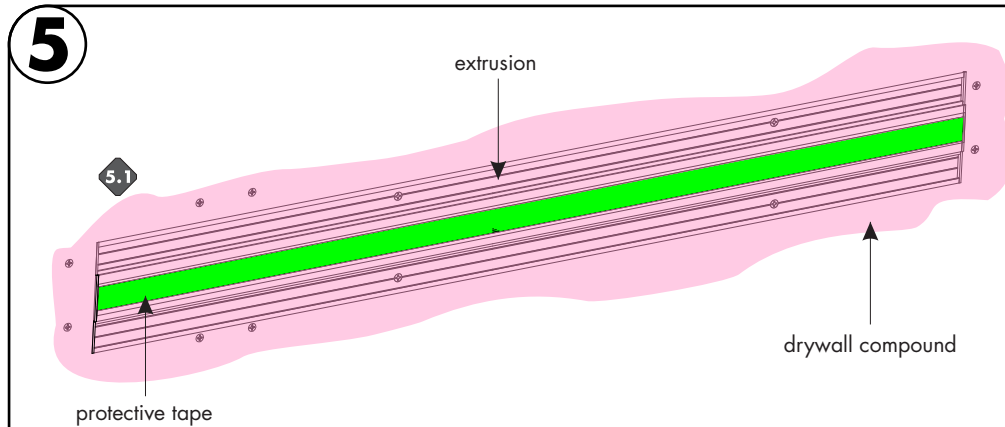
2 / 3

Please read all instructions prior to installation and keep for future reference!

1. PRODUCT TO BE INSTALLED BY A QUALIFIED ELECTRICIAN.
2. USE ONLY WITH CLASS 2 POWER UNIT.
3. 24 VOLTS DC.
4. SUITABLE FOR DAMP LOCATIONS.
5. WALL/CEILING RECESSED MUD-IN.
6. TYPE IC.
7. INHERENTLY PROTECTED.
8. FIXTURE SHOULD BE INSTALLED BY TWO PEOPLE.

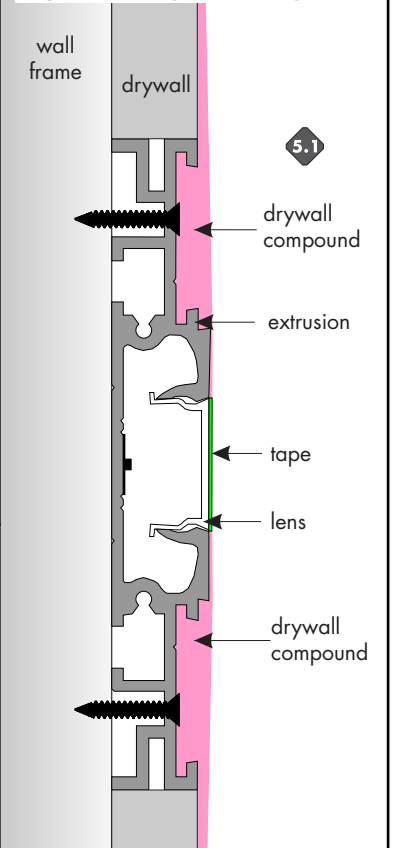


- 4.1** Prior to installing the drywall make all the necessary cutouts, use dimensions above as reference. Install the 1/2" - 5/8" drywall to the support frame. Followed by securing the mounting brackets to the drywall with drywall screws.
- 4.2** Test to see if extrusion works properly, then install the lens into the extrusion. That will protect from any excess drywall compound from entering inside.

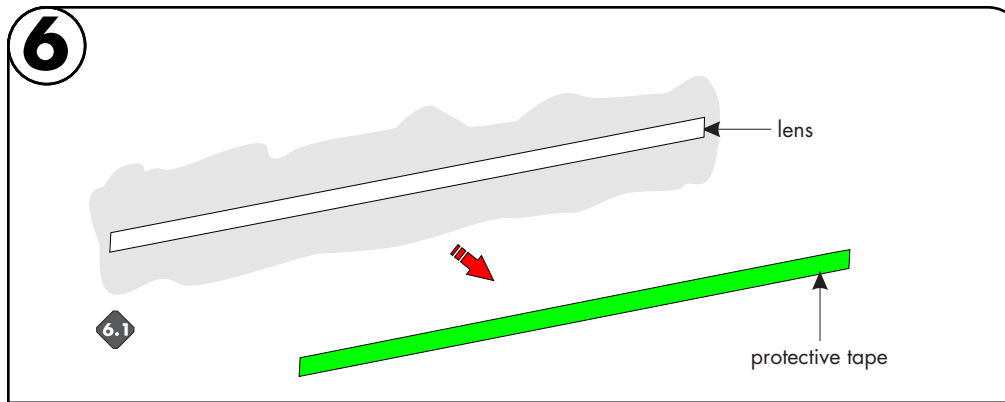


- 5.1** Place a coat of durabond on each side of the extrusion (reference diagram to the right) for a strong bond. Followed by a light sand to blend to the drywall. If necessary finish any imperfections with a light compound. Then paint to complete installation.

Drywall/compound diagram



Note: Mud up to either side of the extrusion close to the lens but without overlapping the protective tape.



- 6.1** Remove the protective tape from the lens. If necessary finish any imperfections.

Linii & Linii Corners - Installation Instructions

Models LIN-XX



7777 Merrimac Ave
Niles, IL 60714
T 224.333.6033
F 224.757.7557
info@luminii.com
www.luminii.com

REVO.8
12312024

3 / 3

Please read all instructions prior to installation and keep for future reference!

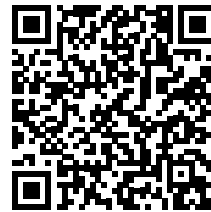
1. PRODUCT TO BE INSTALLED BY A QUALIFIED ELECTRICIAN.
2. USE ONLY WITH CLASS 2 POWER UNIT.
3. 24 VOLTS DC.
4. SUITABLE FOR DAMP LOCATIONS.
5. WALL/CEILING RECESSED MUD-IN.
6. TYPE IC.
7. INHERENTLY PROTECTED.
8. FIXTURE SHOULD BE INSTALLED BY TWO PEOPLE.

Power Supply Wiring Diagram

Note: Prior to installation all 24VDC wires must be present near fixture. Refer to the power supply installation instructions for additional information.



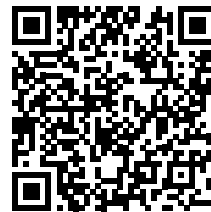
Static White
Wiring Diagram PDF



RGB/RGBW
Wiring Diagram PDF



Warm Dim
Wiring Diagram PDF



Pixel
Wiring Diagram PDF



Tunable White
Wiring Diagram PDF