

LETO 44 PLUS

WALL MOUNT UP/DOWN CYLINDER

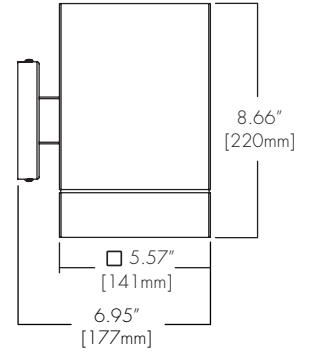
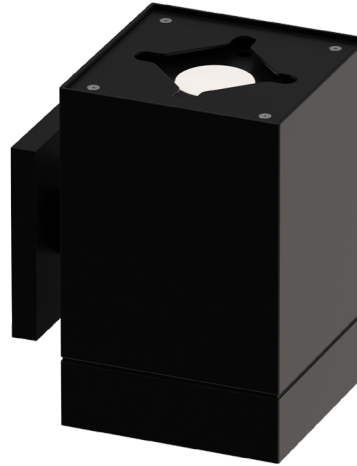


Features

- Faceted and Smooth reflectors provide beam spreads between 10° to 80°.
- Two output options available up to 1000 lumens up and 1000 lumens down.
- Nine driver selections available to cover wide range of applications.
- Five year warranty.

Finish Options

- White
- Mocha
- Black
- Charcoal
- Silver
- Cerulean
- Firebrick



Technical Information

OUTPUT OPTIONS		0707	1010
DOWN	Fixture wattage*	6.0 W	9.1 W
	Delivered Lumen	625 lm	937 lm
	Efficacy	104 lm/W	103 lm/W
	Center Beam Candlepower (15° Faceted Reflector)	6569 cd	9849 cd
UP	Fixture wattage	7.1 W	10.9 W
	Delivered Lumen	585 lm	878 lm
	Efficacy	82 lm/W	81 lm/W

CCT	Multiplier	CRI	TM-30		
			R _f	R _g	R ₉
2500K	0.80	93+	93	102	50+
2700K	0.92	93+	92	100	50+
3000K	0.97	93+	92	103	50+
3500K	1.00	93+	93	102	50+
4000K	1.07	93+	92	101	50+
6500K	1.05	93+	92	101	50+

*This is wattage for up or down only.

Integral Driver Example: Fixture LET44-WM-M-0707-25K-F10-F15-NA-WH-WH-PHSD-NA

Remote Driver Example: Fixture LET44-WM-M-0707-25K-F10-F15-NA-WH-WH-PHSD-NA-HRM-LET44-WM-0707-25K-PHSD-NA

Ordering Code

Fixture

MODEL	TYPE	SIZE	OUTPUT	CCT	OPTIC	OPTIC UP	ACCESSORY ¹	BODY FINISH	BAFFLE FINISH
LET44P-Leto 44 Plus	WM-Wall Mount	M-Medium	0707-700/700 1010-1000/1000	25K-2500K 27K-2700K 30K-3000K 35K-3500K 40K-4000K 65K-6500K	F10-10 Degree, Faceted F18-18 Degree, Faceted F30-30 Degree, Faceted F45-45 Degree, Faceted F60-60 Degree, Faceted S30-30 Degree, Smooth S45-45 Degree, Smooth S80-80 Degree, Smooth	F15-15 Degree, Faceted F24-24 Degree, Faceted F60-60 Degree, Faceted	NA-No Accessory CL-Clear Lens DL-Diffusing Lens HC-Honeycomb Louver SL-Solite Lens	Standard WH-White BK-Black SL-Silver Premium ² MA-Mocha CC-Charcoal CR-Cerulean FB-Firebrick	Standard WH-White BK-Black SL-Silver Premium ² MA-Mocha CC-Charcoal CR-Cerulean FB-Firebrick

DRIVER

DRIVER OPTIONS⁵

PHSD - Forward/Reverse Phase, 1% Dimming, 120V Only
 010S-0-10V, 1% Dimming, 120/277V
 0103-0-10V, 1% Dimming, 347V Only³
 010L-EldoLED, 0-10V, Linear, 0.1% Dimming, 120/277V³
 010G-EldoLED, 0-10V, Log, 0.1% Dimming, 120/277V³
 DALI-EldoLED, DALI Protocol 2, DT-6, 0.1% Dimming, 120/277V³
 DALI8-EldoLED, DALI Protocol 2, DT-8, 0.1% Dimming, 120/277V³
 LUTE-Lutron HiLume Ecodigital, 1% Dimming, 120V/277V³
 DMX-EldoLED, DMX, 0.1% Dimming, 120V/277V³

NA-None
 EMG-Emergency Driver^{3,4}

1 - Accessory only installed in bottom light.
 2 - Premium finishes may have extended lead times. Custom RALs are available, please consult Inside Sales with specific request.
 3 - 0103/010L/010G/DALI/DALI8/DMX/LUTE/EMG driver options will always require a remote driver.

4 - Emergency option comes prewired from factory with driver in remote housing. 8W of continuous power provided for a minimum of 90 minutes. Must be installed within 30 feet of luminaire using 18 AWG wire. Not available with 0103, DMX, DALI8 or LUTE Driver.
 5 - Awnr/CSMB available upon request, contact Senso for details.

CONTACT FACTORY FOR MORE OPTIONS.

Lens

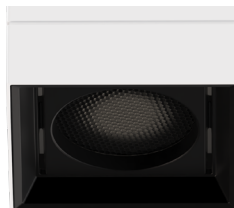
CL
Clear Lens



DL
Diffusing Lens



HC
Honeycomb



SL
Solite Lens



Optics

FXX (10°, 18°, 30°, 45°, 60°)
Faceted Reflector



SXX (30°, 45°, 80°)
Smooth Reflector



Remote Driver Housing

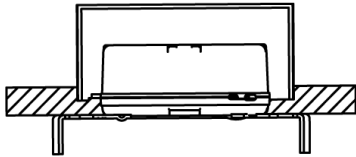
Depending on the options selected in the order code on page 1, a Remote Driver Housing may be required. This will automatically be generated and put on your order as necessary.

REMOTE DRIVER	MODEL	OUTPUT	CCT	DRIVER	DRIVER OPTIONS
HRM-Housing, Remote	LET44P-WM-Leto 44 Plus Wall Mount	Same as Fixture	Same as Fixture	Same as Fixture	Same as Fixture

Maximum mounting distance to luminaire using 18 AWG wire								
PHSD	010S	0103	010L	010G	DALI	DALI8	LUTE	DMX
16'	16'	16'	72'	72'	72'	72'	15'	149'

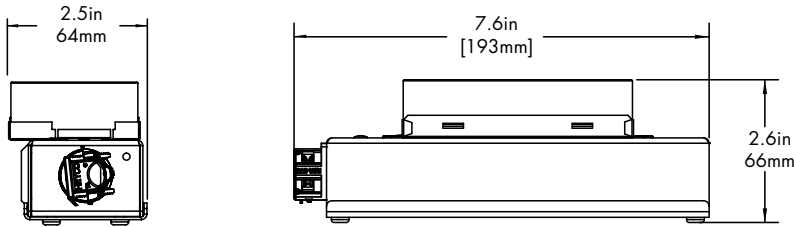
4" J-box

Minimum volume required to mount drivers in junction box: 70mm x 40mm x 30mm.



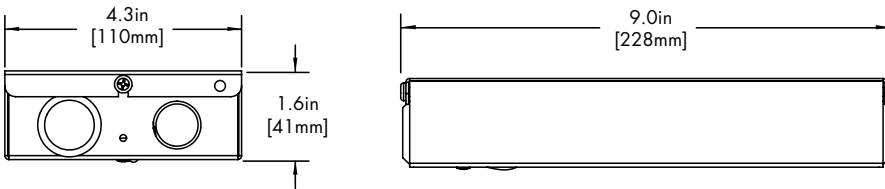
Driver
PHSD
010S

HRM Single with Externally Mounted Driver



Driver
0103
010L
010G
DALI
LUTE

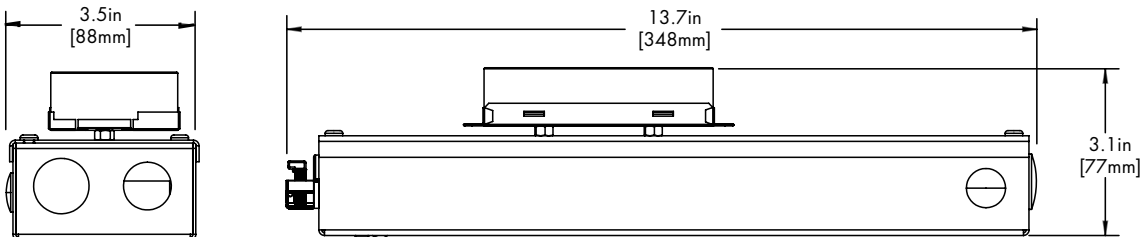
HRM Double



Driver
DALI8
DMX

EMG Emergency Driver

120 minute EMG operation time.



Driver
EMG

LETO 44 PLUS

WALL MOUNT UP/DOWN CYLINDER

Standard Finish

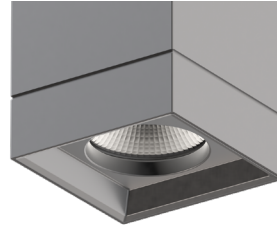
BK
Black



WH
White



SL
Silver



Premium Finish

Two tone with Black Baffle Finish. Any combination may be used for baffle and body finishes.

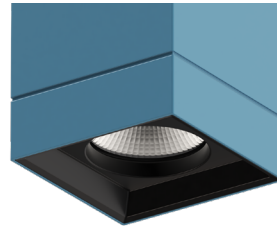
MA
Mocha



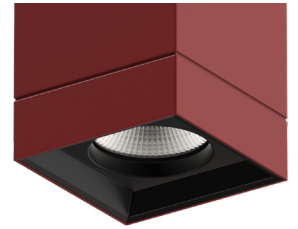
CC
Charcoal



CR
Cerulean



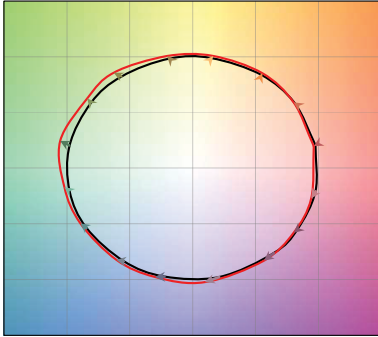
FB
Firebrick



TM-30

2500K

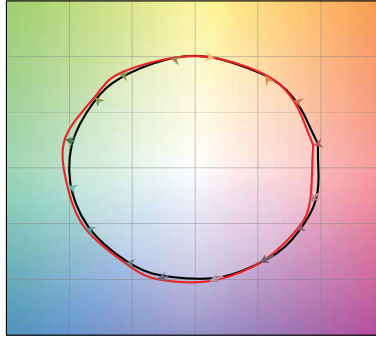
COLOR VECTOR GRAPHIC



— Reference Source — Test Source

2700K

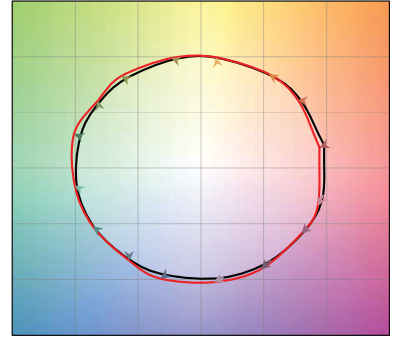
COLOR VECTOR GRAPHIC



— Reference Source — Test Source

3000K

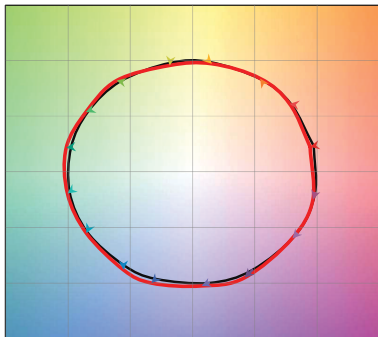
COLOR VECTOR GRAPHIC



— Reference Source — Test Source

3500K

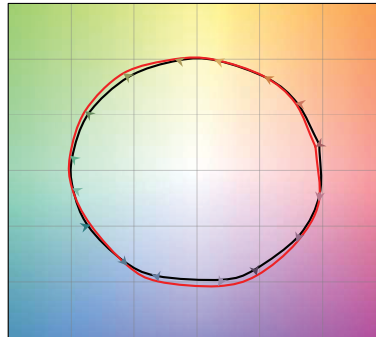
COLOR VECTOR GRAPHIC



— Reference Source — Test Source

4000K

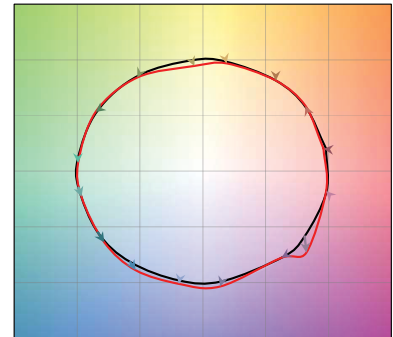
COLOR VECTOR GRAPHIC



— Reference Source — Test Source

6500K

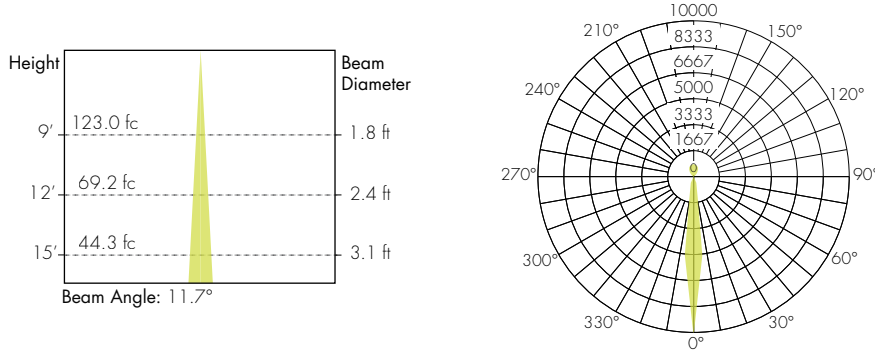
COLOR VECTOR GRAPHIC



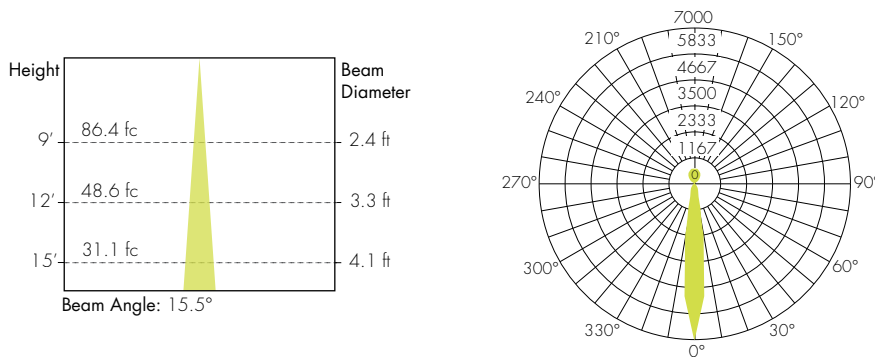
— Reference Source — Test Source

Photometry

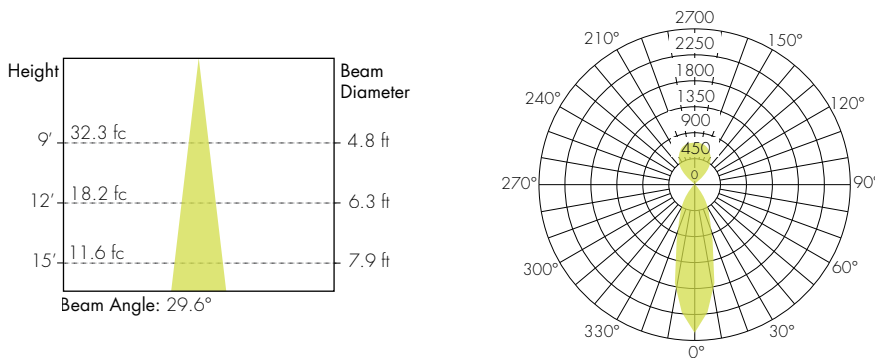
10° Faceted Reflector Down/ 60° Faceted Reflector Up



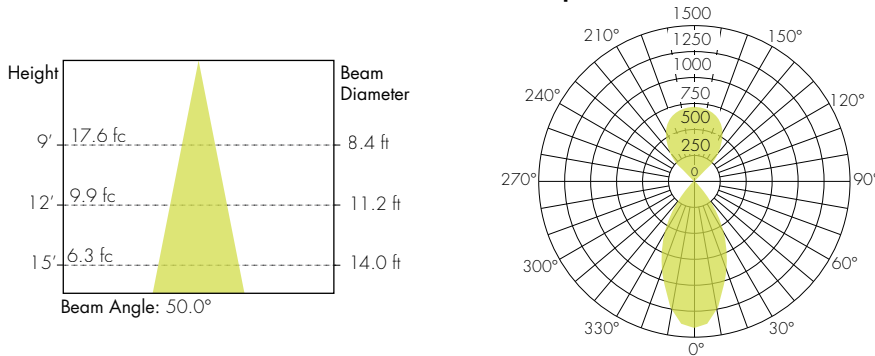
18° Faceted Reflector Down/ 60° Faceted Reflector Up



30° Faceted Reflector Down/ 60° Faceted Reflector Up

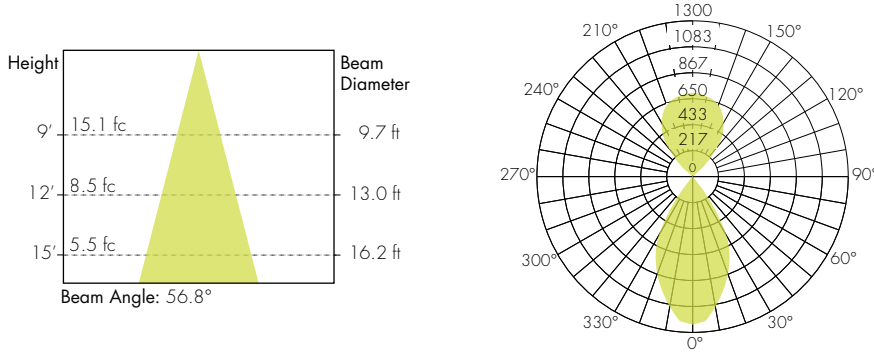


45° Faceted Reflector Down/ 60° Faceted Reflector Up

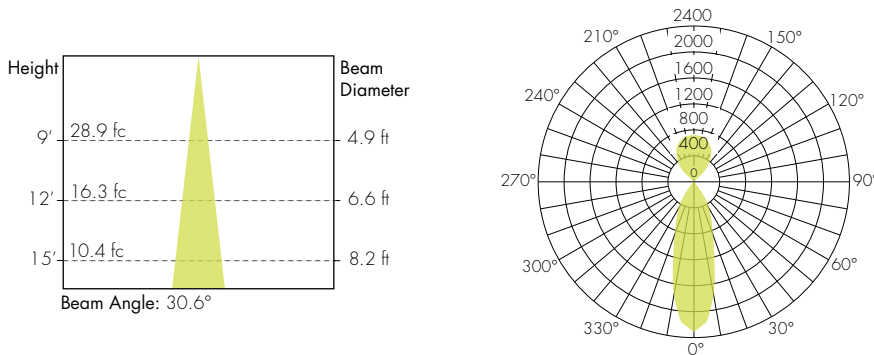


Photometry

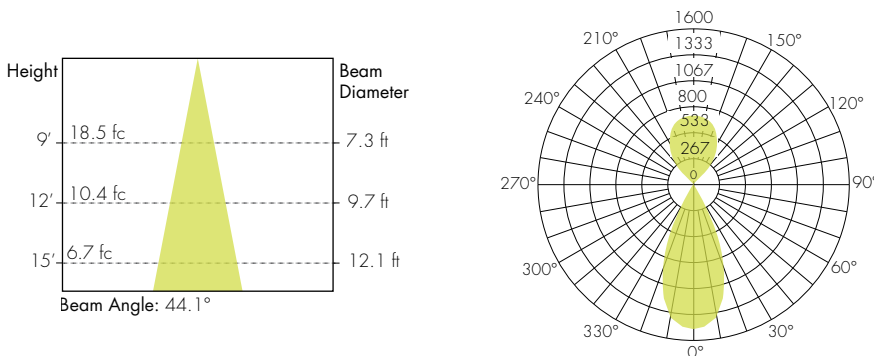
60° Faceted Reflector Down/ 60° Faceted Reflector Up



30° Smooth Reflector Down/ 60° Faceted Reflector Up



45° Smooth Reflector Down/ 60° Faceted Reflector Up



80° Smooth Reflector Down/ 60° Faceted Reflector Up

