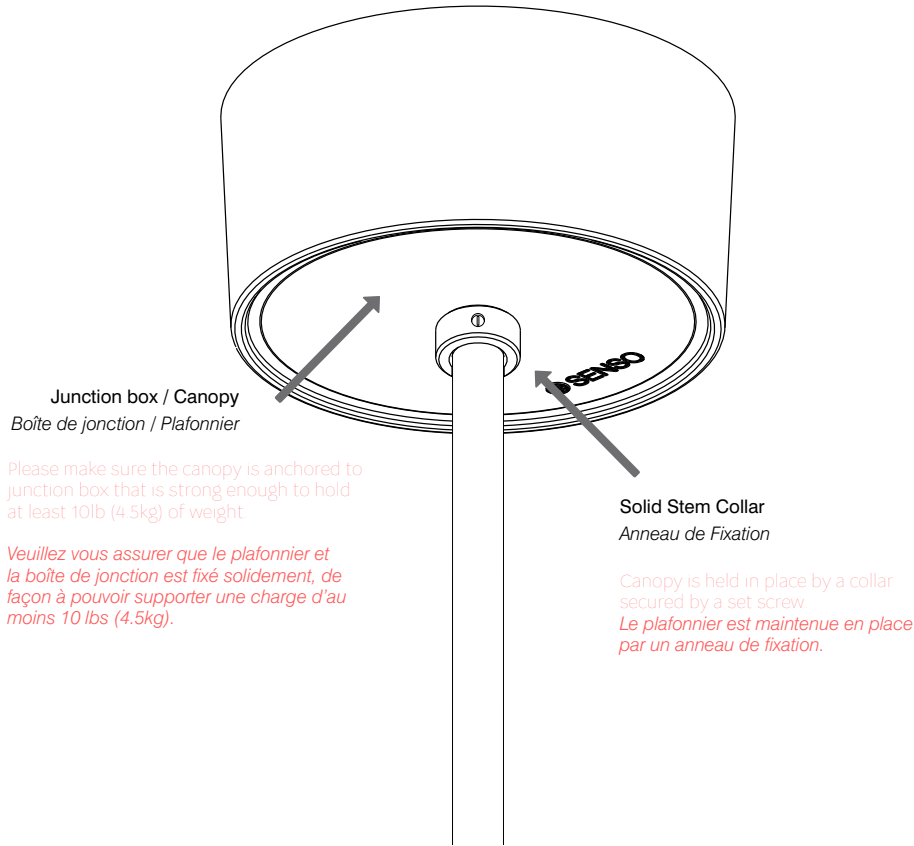


LETO 11, 11.5

SOLID STEM

Overview / Vue d'ensemble



Read and follow these instructions before installing or maintaining this product

- This product is suitable for **DRY INDOOR LOCATIONS ONLY**
- Make sure this product is **NOT** on the same circuit as inductive loads, (e.g. fluorescent bulbs, discharge bulbs, ventilation fans, etc.)
- Allow air to flow freely around the fixture
- Do not switch on line voltage until all wiring is complete
- Incorrect wiring will result in irreparable damage to LED and power supply
- This product should only be installed by a licensed electrician

Veuillez lire et suivre ces instructions avant l'installation ou l'entretien de ce produit

- *Ce produit convient pour une installation **DANS UN ENDROIT SEC SEULEMENT***
- *Assurer vous que des charges inductives ne se retrouvent pas sur le même circuit que ce produit, (i.e. fluorescent, ampoules à décharge, ventilateurs, etc...)*
- *Permettre à l'air de circuler librement autour du luminaire*
- *Compléter les branchements avant de mettre sous tension*
- *Un branchement incorrect créerait des dommages irréparables à l'alimentation et au DEL*
- *Ce produit devrait être uniquement installé par un électricien qualifié*



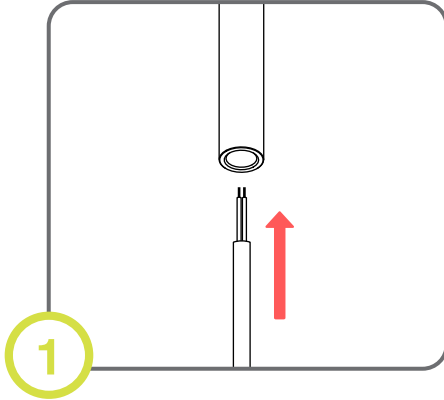
Warranty

- This product must be installed in accordance with all applicable installation codes and ordinance
- Limited five (5) years warranty
- Warranty is void in the eventuality of unauthorized modifications and/or improper use

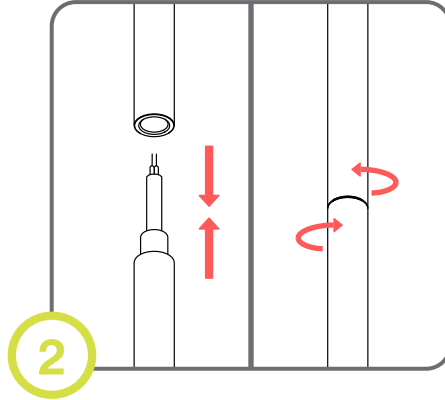
Garantie

- *Ce produit doit être installé conformément au code d'installation et autres normes applicables*
- *Garantie limitée de cinq (5) ans*
- *La garantie est non valide advenant une modification non autorisée ou un usage non approprié*

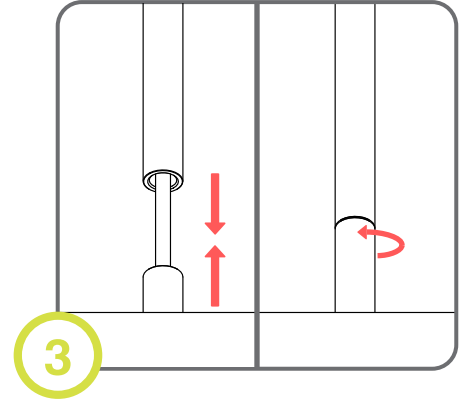
Installation / Installation



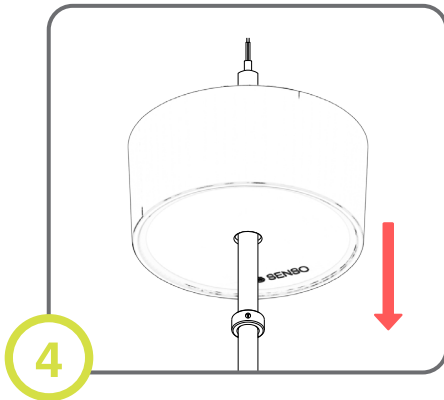
1 Feed the wires through stem.



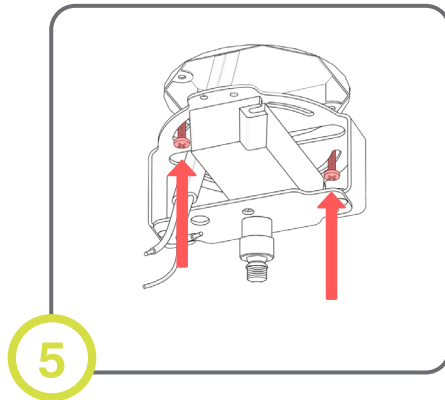
2 If you only have one stem, skip to step 3
3 Add loctite to threads. Feed the wires through the other stem and screw each stem together.



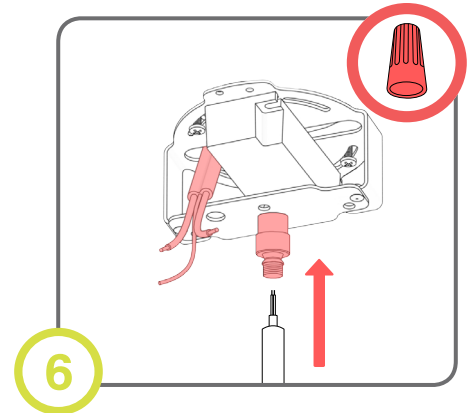
3 Add loctite to threads. Screw stem(s) onto the fixture.



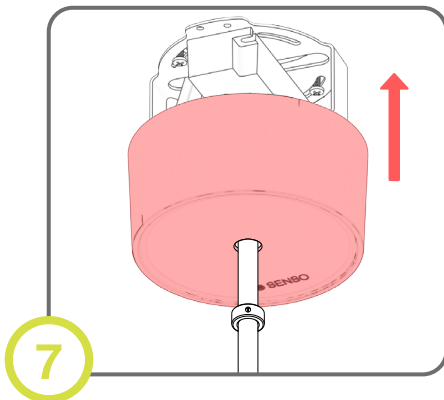
4 Slide the collar and canopy past the wires and onto the stem.



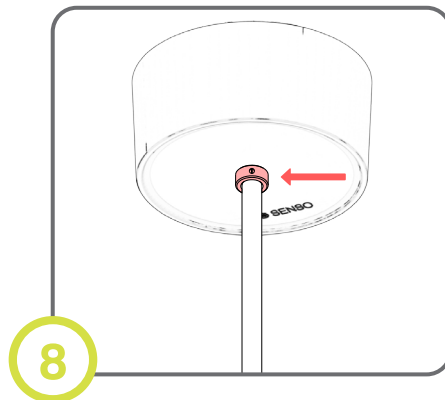
5 Screw bracket onto junction box



6 Add loctite to threads. Feed the wires through and screw the stem and fixture to the bracket. Make electrical connections.



7 Slide canopy up towards bracket. Align holes on canopy with holes on bracket and screw in place.



8 Slide canopy up towards bracket. Align holes on canopy with holes on bracket and screw in place.