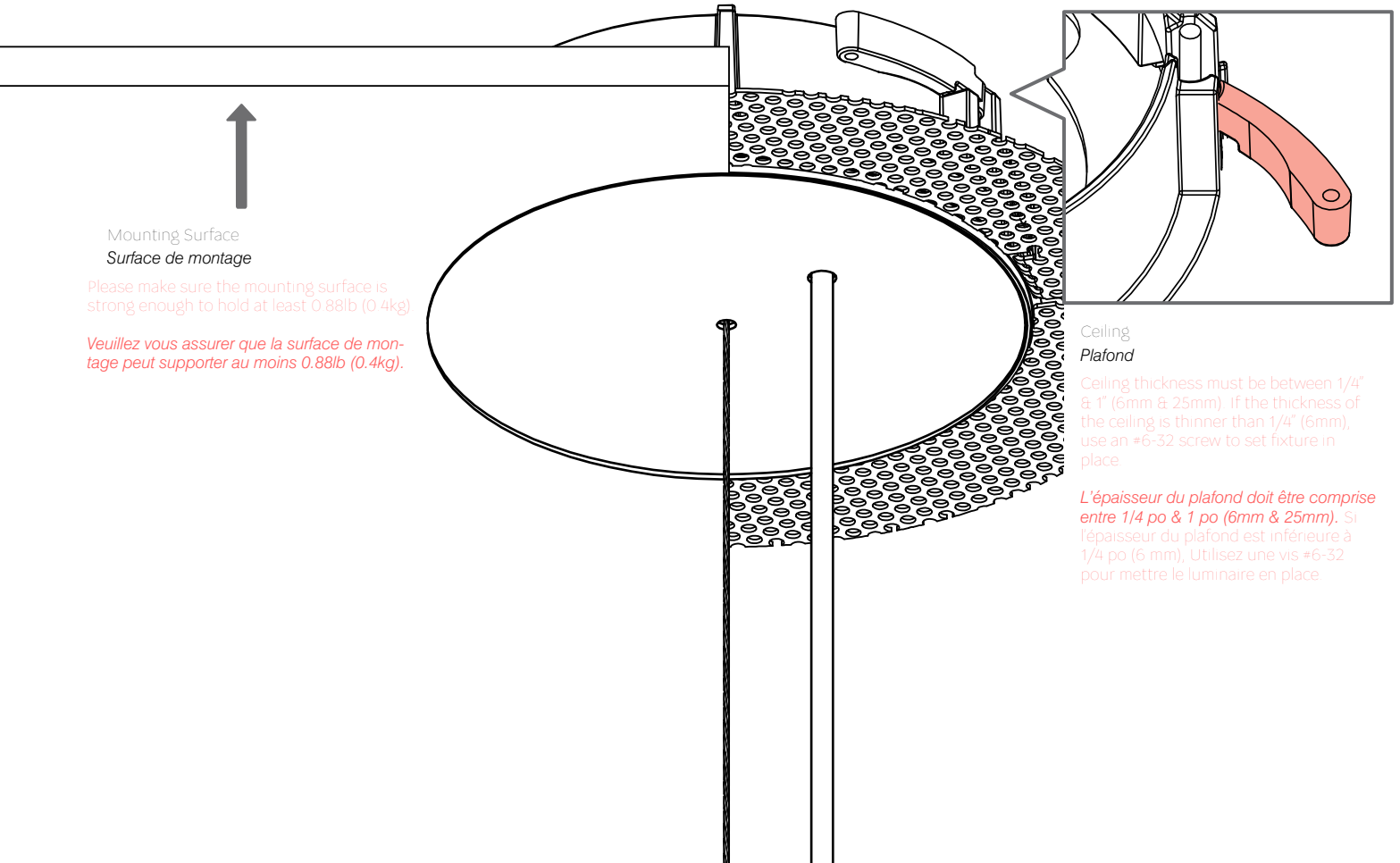


LETO 11, 11.5

FLANGELESS CANOPY



Mounting Surface
Surface de montage

Please make sure the mounting surface is strong enough to hold at least 0.88lb (0.4kg)

Veillez vous assurer que la surface de montage peut supporter au moins 0.88lb (0.4kg).

Ceiling
Plafond

Ceiling thickness must be between 1/4" & 1" (6mm & 25mm). If the thickness of the ceiling is thinner than 1/4" (6mm), use an #6-32 screw to set fixture in place

L'épaisseur du plafond doit être comprise entre 1/4 po & 1 po (6mm & 25mm). Si l'épaisseur du plafond est inférieure à 1/4 po (6 mm), Utilisez une vis #6-32 pour mettre le luminaire en place.



Read and follow these instructions before installing or maintaining this product

- This product is suitable for **DRY INDOOR LOCATIONS ONLY**
- Make sure this product is **NOT** on the same circuit as inductive loads, (e.g. fluorescent bulbs, discharge bulbs, ventilation fans, etc.)
- Do not switch on line voltage until all wiring is complete
- Incorrect wiring will result in irreparable damage to LED and power supply
- This product should only be installed by a licensed electrician

Veillez lire et suivre ces instructions avant l'installation ou l'entretien de ce produit

- Ce produit convient pour une installation **DANS UN ENDROIT SEC SEULEMENT**
- Assurez vous que des charges inductives ne se retrouvent pas sur le même circuit que ce produit, (i.e. fluorescent, ampoules à décharge, ventilateurs, etc...)
- Compléter les branchements avant de mettre sous tension
- Un branchement incorrect créerait des dommages irréparables à l'alimentation et au DEL
- Ce produit devrait être uniquement installé par un électricien qualifié



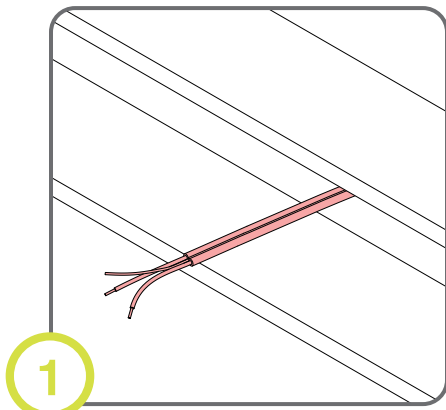
Warranty

- This product must be installed in accordance with all applicable installation codes and ordinance
- Limited five (5) years warranty
- Warranty is void in the eventuality of unauthorized modifications and/or improper use

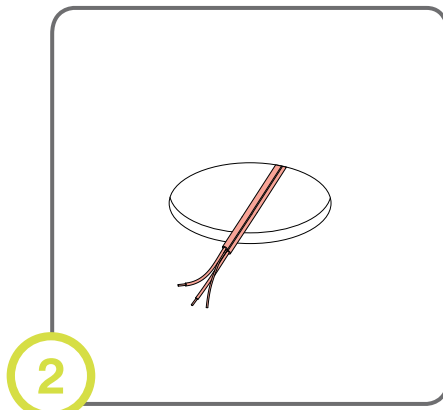
Garantie

- Ce produit doit être installé conformément au code d'installation et autres normes applicables
- Garantie limitée de cinq (5) ans
- La garantie est non valide advenant une modification non autorisée ou un usage non approprié

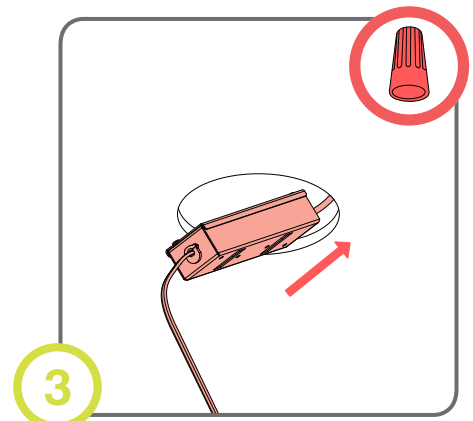
LETO 11, 11.5



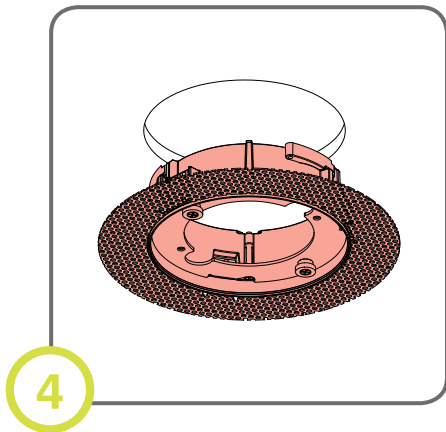
1 Ensure wire reaches fixture location



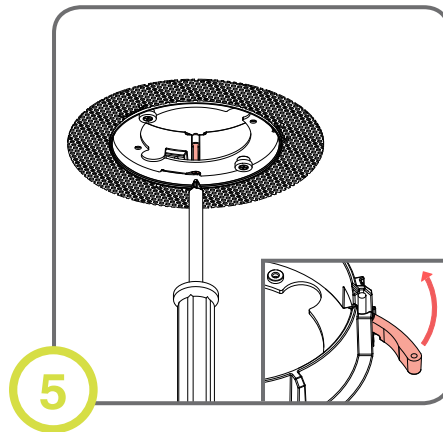
2 Finish ceiling installation. Make sure hole is cut to appropriate size and location **135mm (5.325")**



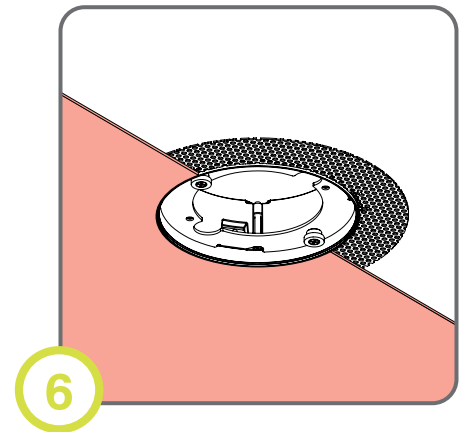
3 Connect the driver to the line voltage and ground to enclosure. Push driver into ceiling



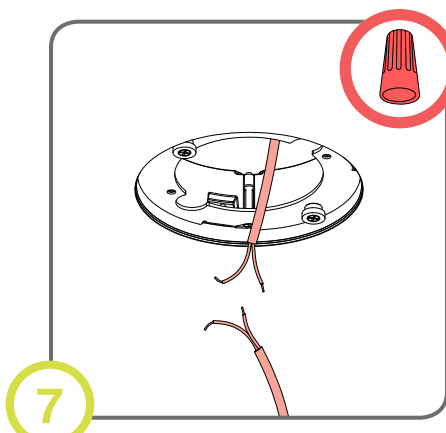
4 Push the housing into the ceiling



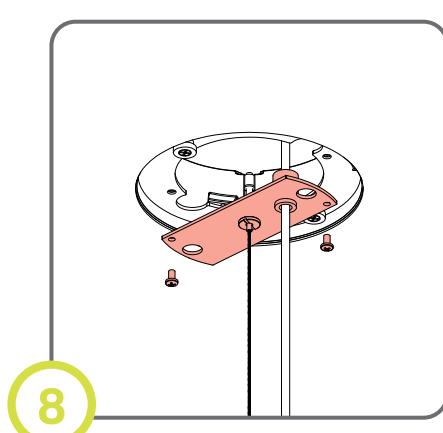
5 Turn screws to extend arms from the housing. Continue turning until housing is secure



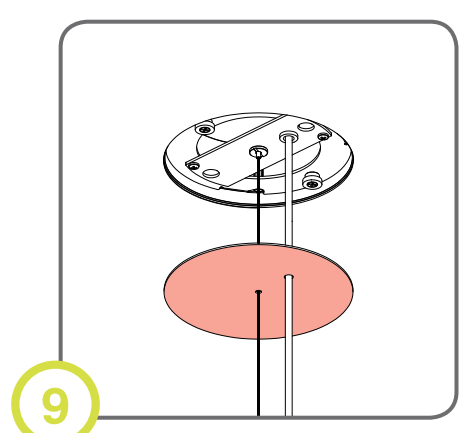
6 Mud over mesh



7 Ensuring power is off, make electrical connections



8 Separate the trim plate from the bracket. Bring the bracket up to the housing and screw in place



9 Slide up trim plate to the housing until held in place by magnets

NOTE: adjust aircraft cable before replacing trim