

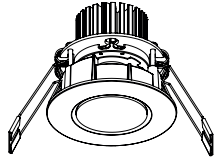
# LATONA Flangeless

## Overview

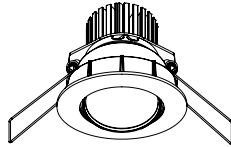


This install guide is applicable to these Latona Fixtures:  
*Ce guide d'installation s'applique à ces luminaires Latona:*

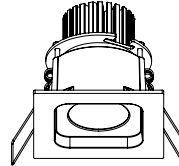
Latona 1



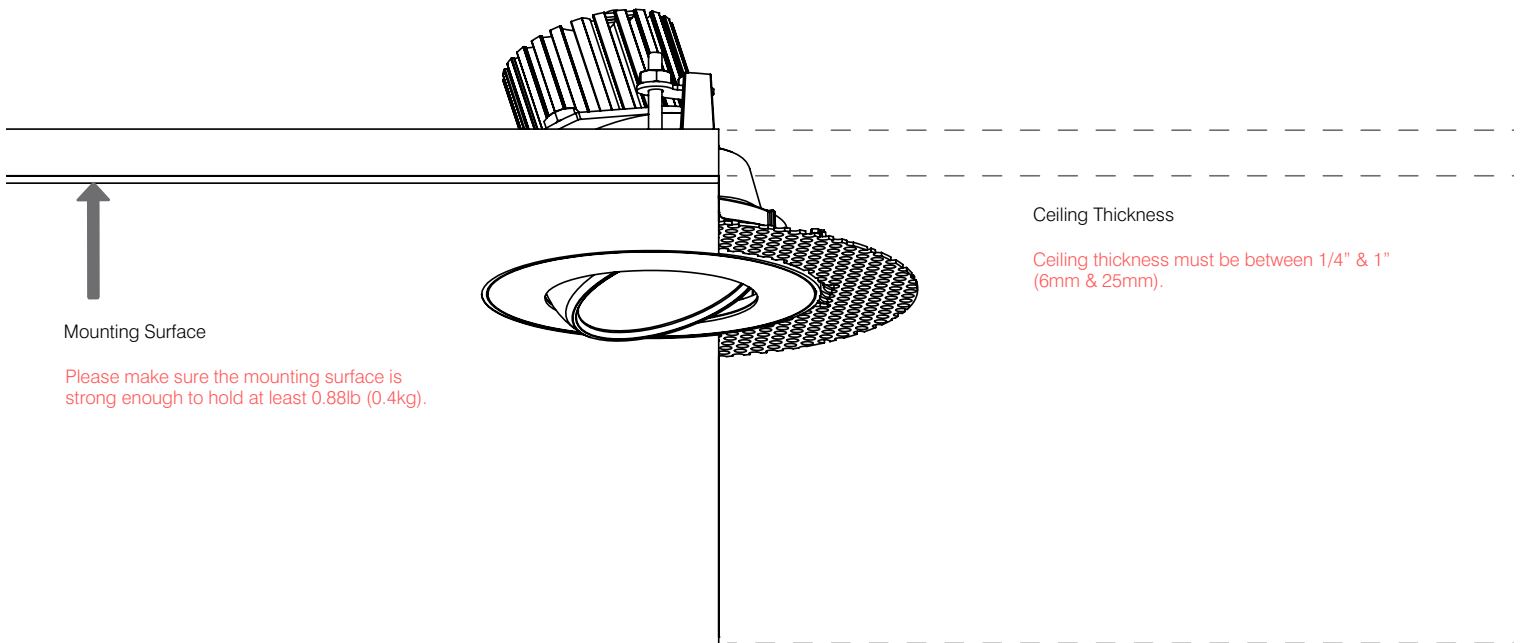
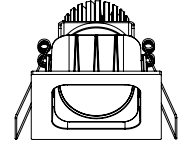
Latona 2



Latona 3



Latona 4



Ceiling Thickness

Ceiling thickness must be between 1/4" & 1"  
(6mm & 25mm).

Mounting Surface

Please make sure the mounting surface is strong enough to hold at least 0.88lb (0.4kg).



### Read and follow these instructions before installing or maintaining this product

- Latona 1, 2, 3, 4 are suitable for **DRY INDOOR LOCATIONS ONLY**
- Make sure this product is **NOT** on the same circuit as inductive loads, (e.g. fluorescent bulbs, discharge bulbs, ventilation fans, etc...)
- Allow air to flow freely around the fixture
- Do not switch on line voltage until all wiring is complete
- Incorrect wiring will result in irreparable damage to LED and power supply
- This product should only be installed by a licensed electrician

### Veillez lire et suivre ces instructions avant l'installation ou l'entretien de ce produit

- Latona 1, 2, 3, 4 sont convients pour une installation **DANS UN ENDROIT SEC SEULEMENT**
- Assurer vous que des charges inductives ne se retrouvent pas sur le même circuit que ce produit, (i.e. fluorescent, ampoules à décharge, ventilateurs, etc...)
- Permettre à l'air de circuler librement autour du luminaire
- Compléter les branchements avant de mettre sous tension
- Un branchement incorrect créerait des dommages irréparables à l'alimentation et au DEL
- Ce produit devrait être uniquement installé par un électricien qualifié



### Warranty

- This product must be installed in accordance with all applicable installation codes and ordinance
- Limited five (5) years warranty
- Warranty is void in the eventuality of unauthorized modifications and/or improper use

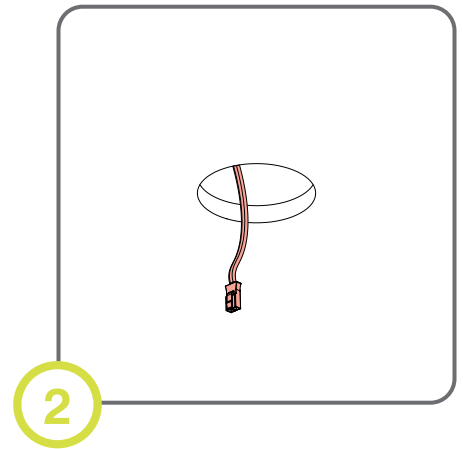
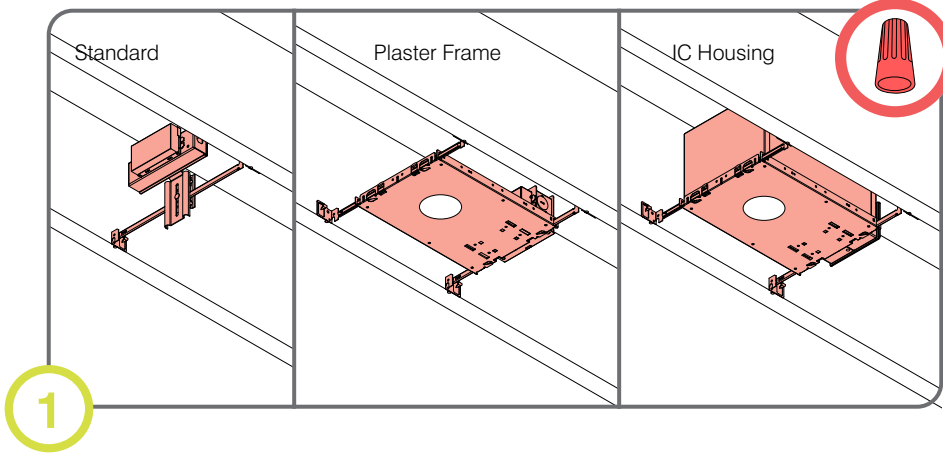
### Garantie

- Ce produit doit être installé conformément au code d'installation et autres normes applicables
- Garantie limitée de cinq (5) ans
- La garantie est non valide advenant une modification non autorisée ou un usage non approprié

# LATONA Flangeless

## Choose Installation Type

### Housing Installation

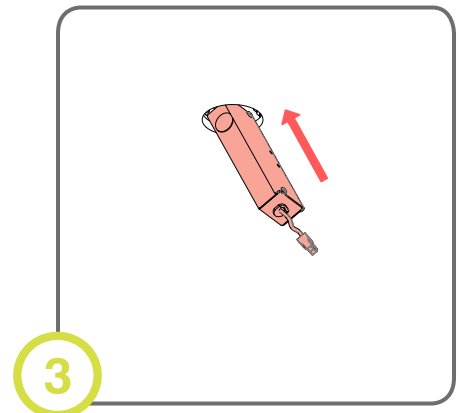
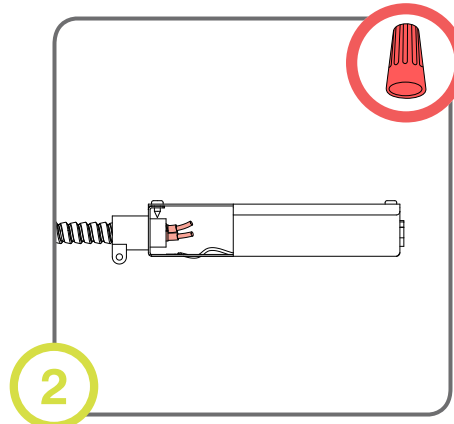
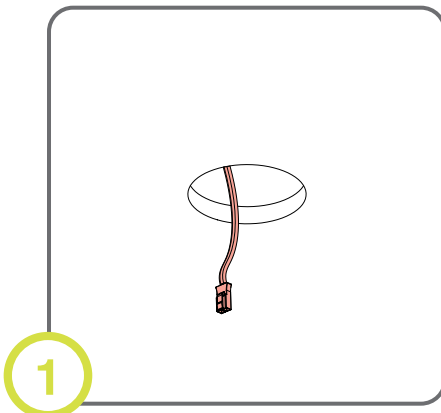


1 Install appropriate housing between ceiling joists. Connect the driver to the line voltage and ground to enclosure.

2 Finish ceiling installation. Make sure hole is cut to appropriate size and location.

or

### Retrofit & Non Fixed Driver Installation

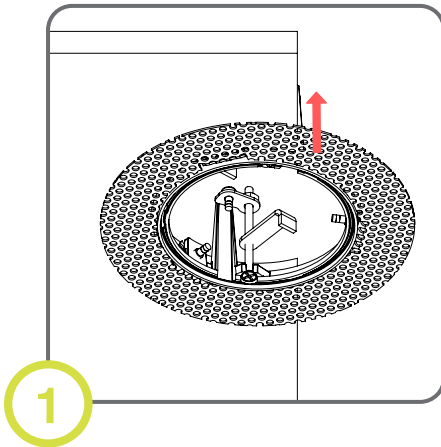


1 Ensure wire reaches fixture location. Finish ceiling installation. Make sure hole is cut to appropriate size and location.

2 Connect the driver to the line voltage and ground to enclosure.

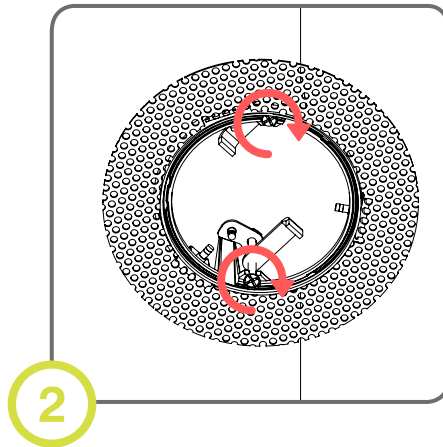
3 Push driver into ceiling.

# LATONA Flangeless



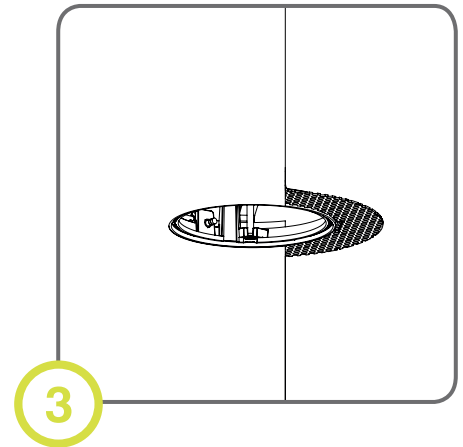
1

Lift flangeless kit into the ceiling.



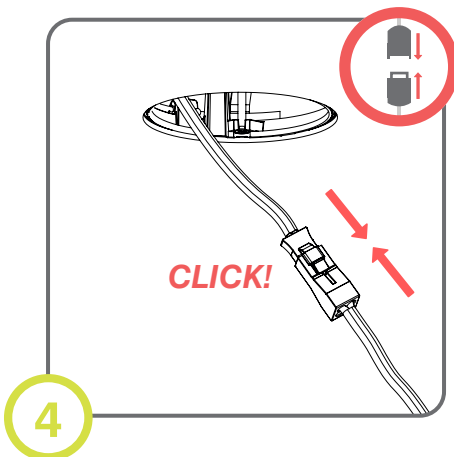
2

Rotate the screws until the arms fully extend and clamp down against the ceiling.



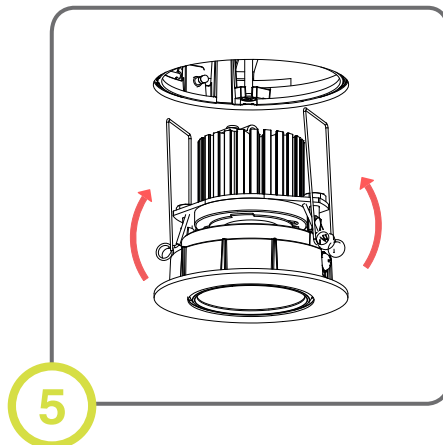
3

Mud over trim and finish ceiling.



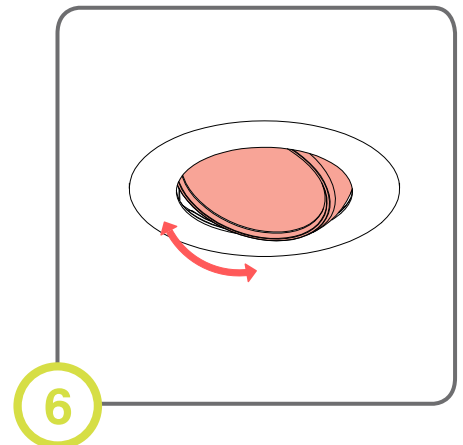
4

Ensure power is off. Lower quick connect wire from ceiling and connect to fixture until you hear a click.



5

Compress the 2 springs upward until they clear the hole in ceiling.



6

For Latona 2 and 4, make adjustments to desired angle.

# LATONA Flangeless



**Do not scale this when printing this template.**  
***Ne l'augmentez pas lorsque vous imprimez ce modèle.***

