

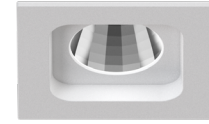
# LATONA 2"

DOWNLIGHT - ADJUSTABLE



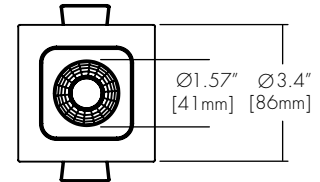
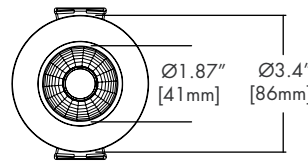
## Features

- Faceted metal reflectors provide beam spreads between 20° to 60°.
- Three output options available up to 1500 lumens.
- Nine drivers selections available to cover wide range of applications.
- Five year warranty.



## Finish Options

- White
- Black
- Silver



## Technical Information

OUTPUT OPTIONS	700 lm	1000lm	1500lm
<b>Fixture wattage</b>	6.3 W	9.8 W	14.7 W
<b>Delivered Lumen at 3500K</b>	707 lm	1049 lm	1571 lm
<b>Efficacy</b>	112 lm/W	107 lm/W	107 lm/W
<b>Center Beam Candlepower (20° Faceted Reflector)</b>	1879 cd	2788 cd	4175 cd

CCT	Multiplier	CRI	TM-30		
			R <sub>f</sub>	R <sub>g</sub>	R <sub>9</sub>
<b>2500K</b>	0.80	93+	93	102	50+
<b>2700K</b>	0.92	93+	92	100	50+
<b>3000K</b>	0.97	93+	92	103	50+
<b>3500K</b>	1.00	93+	93	102	50+
<b>4000K</b>	1.07	93+	92	101	50+
<b>6500K</b>	1.05	93+	92	101	50+

## Ordering Code

Remote Driver Example: Fixture LAT2-D-RD-TR-07-25K-F20-NA-WHHRM-LAT2-D-TR-07-25K-PHSD-NA

### Fixture

MODEL	TYPE	SHAPE	TRIM	OUTPUT	CCT	OPTIC	ACCESSORY	TRIM FINISH
LAT2 - Latona 2"	D - Downlight A - Adjustable	RD - Round SQ - Square	TR - Trimmed TL - Trimless <sup>1</sup>	07 - 700 lumens (6.3W) <sup>2</sup> 10 - 1000 lumens (9.8W) <sup>2</sup> 15 - 1500 lumens (14.7W)	25K - 2500K 27K - 2700K 30K - 3000K 35K - 3500K 40K - 4000K 65K - 6500K	F20 - 20 Degree, Faceted F30 - 30 Degree, Faceted F60 - 60 Degree, Faceted	NA - No Accessory CL - Clear Lens DL - Diffusing Lens	Standard WH - White BK - Black SL - Silver

HOUSING	MODEL	TRIM	OUTPUT	CCT	DRIVER	DRIVER OPTIONS
HRM - Remote Power Supply (Non-IC) HP - New Construction Pan (Non-IC) HIC - Housing, IC Rated	LAT2-D - Latona 2" Downlight LAT2-A - Latona 2" Adjustable	Same as Fixture	Same as Fixture	Same as Fixture	PHSD - Forward/Reverse Phase, 1% Dimming, 120V Only 010S - 0-10V, 1% Dimming, 120/277V 0103 - 0-10V, 1% Dimming, 347V Only <sup>4</sup> 010L - EldoLED, 0-10V, Linear, 0.1% Dimming, 120/277V <sup>4</sup> 010G - EldoLED, 0-10V, Log, 0.1% Dimming, 120/277V <sup>4</sup> DALI - EldoLED, DALI Protocol 2, DT-6, 0.1% Dimming, 120/277V <sup>4</sup> DALI8 - EldoLED, DALI Protocol 2, DT-8, 0.1% Dimming, 120/277V <sup>4</sup> LUTE - Lutron HiLume Ecodigital, 1% Dimming, 120V/277V <sup>3,4</sup> DMX - EldoLED, DMX, 0.1% Dimming, 120V/277V <sup>4</sup>	NA - None EMG - Emergency Driver <sup>4,5</sup>

1 - Housing HIC is not available with TL Trim  
 2 - Housing HIC is only available with 700/1000 lumens  
 3 - LUTE driver is not available with 700 lumens.  
 4 - Drivers 0103/010L/010G/DALI/DALI8/LUTE/DMX/EMG are only available with HRM - Remote Power Supply.

5 - Emergency option comes prewired from factory with driver in remote housing, 8W of continuous power provided for a minimum of 90 minutes. Must be installed within 30 feet of luminaire using 18 AWG wire. Not available with 0103, DMX, DALI8 or LUTE Driver.

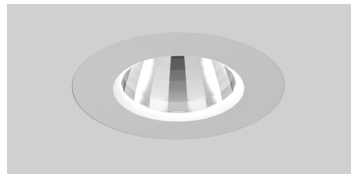
CONTACT FACTORY FOR MORE OPTIONS.

## Round

**TR**  
Trimmed



**TL**  
Trimless



## Lens

**CL**  
Clear Lens



**DL**  
Diffusing Lens



## Optics

**FXF** (20°, 30°, 60°)  
Faceted Reflector



## Square

**TR**  
Trimmed

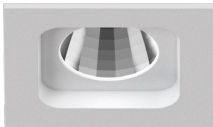


**TL**  
Trimless

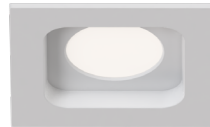


## Lens

**CL**  
Clear Lens

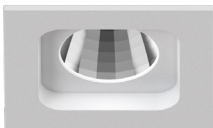


**DL**  
Diffusing Lens



## Optics

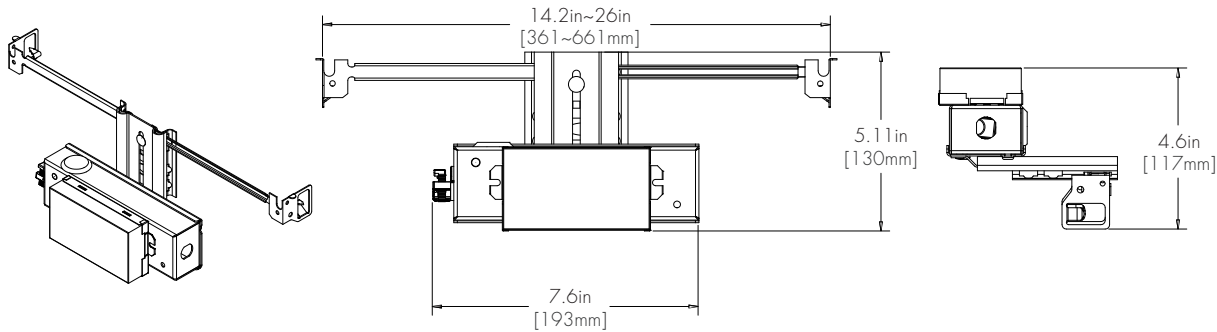
**FXF** (20°, 30°, 60°)  
Faceted Reflector



## Remote Driver Housing

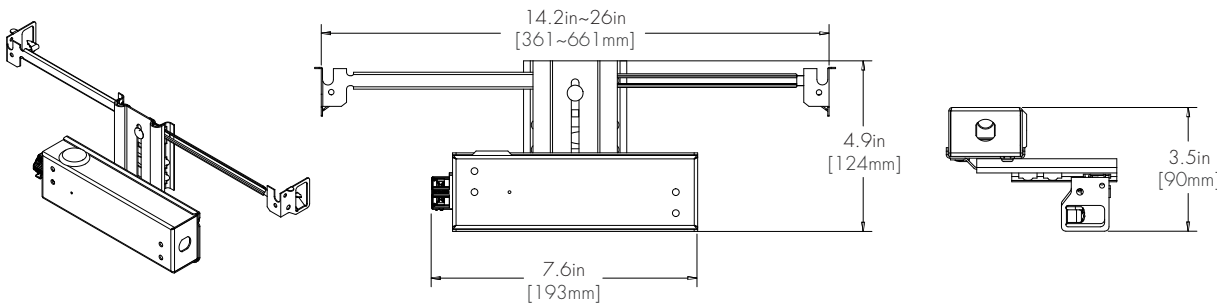
Maximum mounting distance to luminaire using 18 AWG wire								
PHSD	O10S	O103	O10L	O10G	DALI	DALI8	LUTE	DMX
16'	16'	16'	72'	72'	72'	72'	15'	149'

### HRM Single with Externally Mounted Driver



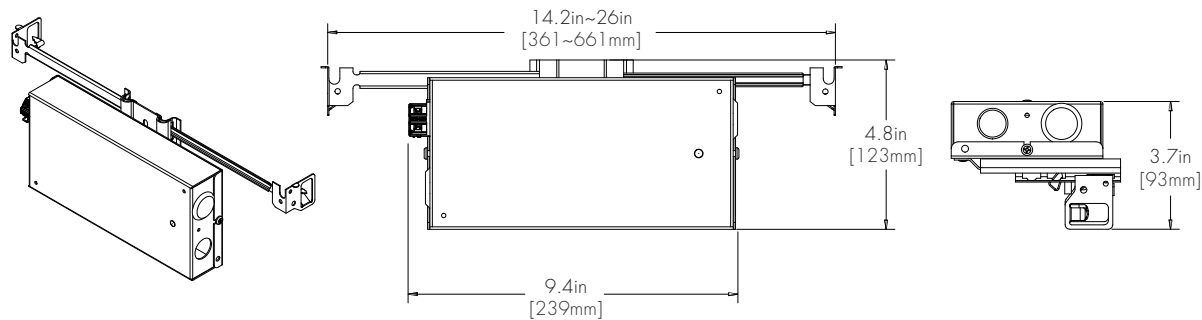
Driver	+	Driver Option
O10L	+	NA
O10G	+	NA
O10S	+	NA
DALI	+	NA
LUTE	+	NA

### HRM Single



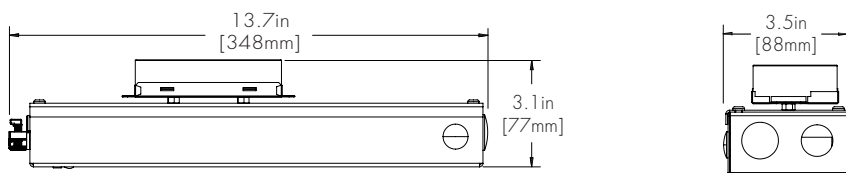
Driver	+	Driver Option
PHSD	+	NA

### HRM Double



Driver	+	Driver Option
DALI8	+	NA
DMX	+	NA

### EMG Emergency Driver (120 minutes EMG operation time)



Driver	+	Driver Option
O10L	+	EMG
O10G	+	EMG
O10S	+	EMG
DALI	+	EMG
PHSD	+	EMG

## Standard Finish

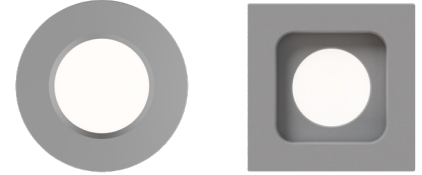
**BK**  
Black



**WH**  
White



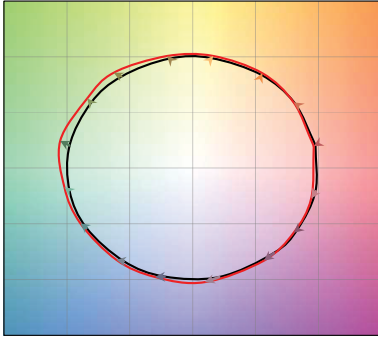
**SL**  
Silver



## TM-30

**2500K**

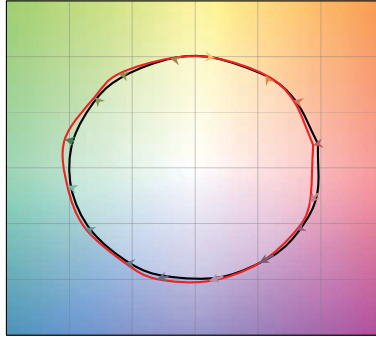
COLOR VECTOR GRAPHIC



— Reference Source — Test Source

**2700K**

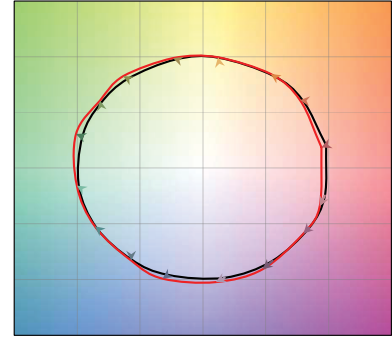
COLOR VECTOR GRAPHIC



— Reference Source — Test Source

**3000K**

COLOR VECTOR GRAPHIC



— Reference Source — Test Source

**3500K**

COLOR VECTOR GRAPHIC



— Reference Source — Test Source

**4000K**

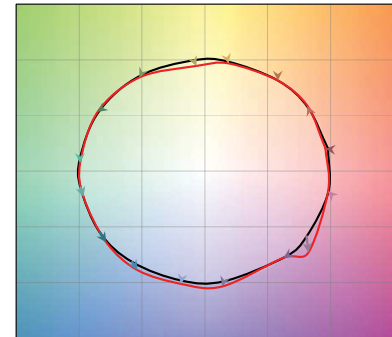
COLOR VECTOR GRAPHIC



— Reference Source — Test Source

**6500K**

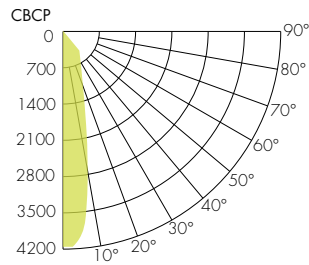
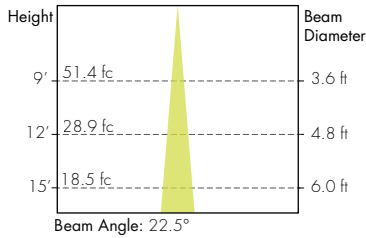
COLOR VECTOR GRAPHIC



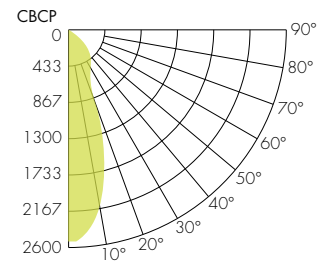
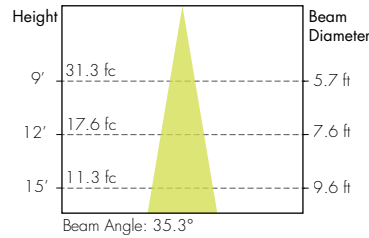
— Reference Source — Test Source

## Photometry

**20° Faceted Reflector**



**30° Faceted Reflector**



**60° Faceted Reflector**

