

# LineLED Wet 24V - Installation Instructions

Models LITW68WET-T



7777 Merrimac Ave  
Niles, IL 60714  
T 224.333.6033  
F 224.757.7557  
info@luminii.com  
www.luminii.com

REVO.3  
10082024

1 / 2

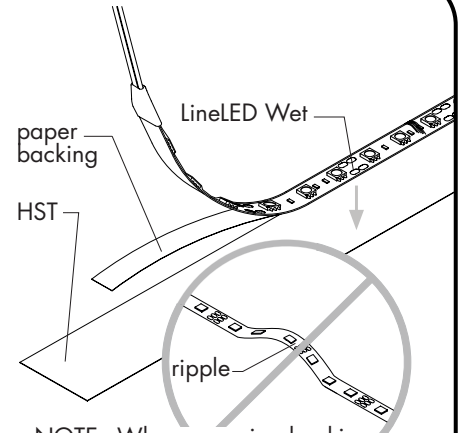
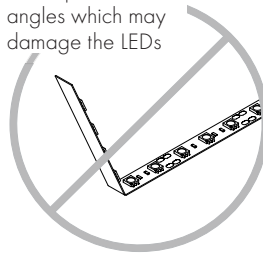
Please read all instructions prior to installation and keep for future reference!

1. PRODUCT SHOULD BE INSTALLED BY A QUALIFIED ELECTRICIAN.
2. ENSURE POWER IS OFF AT FUSE BOX PRIOR TO INSTALLATION TO PREVENT ELECTRICAL SHOCK.
3. USE ONLY WITH CLASS 2 POWER UNIT.
4. SUITABLE FOR WET LOCATIONS.
5. FOR UNDER CABINET OR SHELF MOUNT.
6. AVOID EXPOSURE TO DIRECT SUNLIGHT.
7. NOT SUITABLE FOR APPLICATIONS WHERE LEDS CAN BECOME EMERGED.

# 1

Remove the paper backing from the LineLED and firmly press down making sure there are no air bubbles that can cause surface irregularities to the LineLED. **Do not remove the adhesive, removing the adhesive may cause arcing of the Line LED tape.**

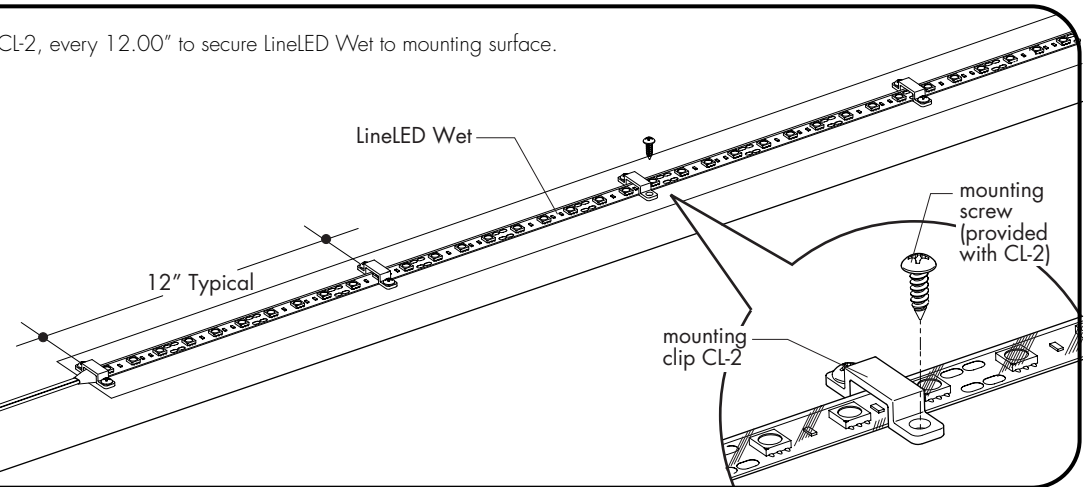
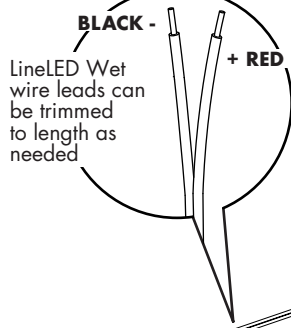
NOTE - Avoid bending the LineLED in sharp horizontal angles which may damage the LEDs



NOTE - When removing backing & laying LineLED to surface avoid ripples on LineLED.

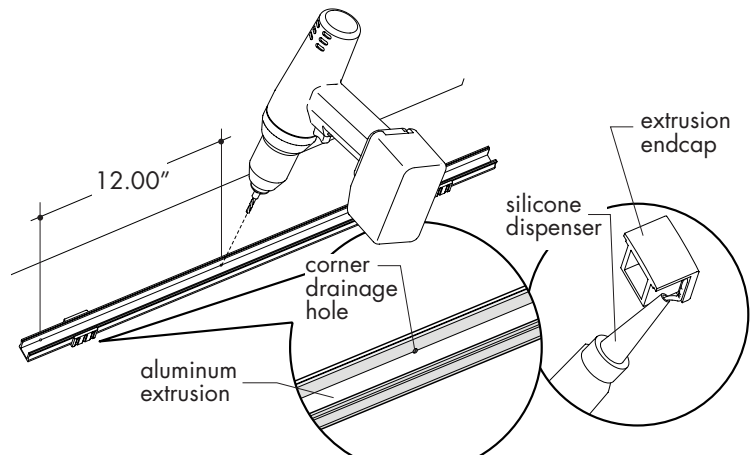
# 2

Install clip, part number CL-2, every 12.00" to secure LineLED Wet to mounting surface.



# 3

If installing LineLED Wet inside an extrusion that is facing up, drainage holes should be drilled along the inner corner of the extrusion at every 12". Drill 1/16" to 1/8" diameter holes before installing LineLED Wet. Also, silicone should be applied to edges of the endcaps and lens before installing onto extrusion.



# LineLED Wet 24V - Installation Instructions

Models LLTW68WET-T

**Please read all instructions prior to installation and keep for future reference!**

1. PRODUCT SHOULD BE INSTALLED BY A QUALIFIED ELECTRICIAN.
2. ENSURE POWER IS OFF AT FUSE BOX PRIOR TO INSTALLATION TO PREVENT ELECTRICAL SHOCK.
3. USE ONLY WITH CLASS 2 POWER UNIT.
4. SUITABLE FOR WET LOCATIONS.
5. FOR UNDER CABINET OR SHELF MOUNT.
6. AVOID EXPOSURE TO DIRECT SUNLIGHT.
7. NOT SUITABLE FOR APPLICATIONS WHERE LEDS CAN BECOME EMERGED.



REVO.3  
10082024

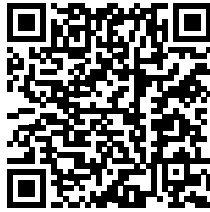
2 / 2



7777 Merrimac Ave  
Niles, IL 60714  
T 224.333.6033  
F 224.757.7557  
info@luminii.com  
www.luminii.com

## Power Supply Wiring Diagram

**Note:** Prior to installation all 24VDC wires must be present near fixture. Refer to the power supply installation instructions for additional information.



Tunable White  
Wiring Diagram PDF