

## Features

LineLED Wet Tube is a small profile, energy efficient LED strip for IP65, IP67, and IP68 rated wet installations. LineLED Wet Tube offers excellent color quality with CRI and R9 values up to 97 as well as multiple output options and a wide angle 120° beam. With a durable but flexible circuit board, LineLED Wet Tube is also easy to install.

To maintain IP65, IP67, and IP68 rating, LineLED Wet Tube is factory sealed and bonded. Order in exact lengths required for install, LineLED Wet Tube is not field cuttable. IP rating of strip is equal to the lowest IP rating of section start and end options.



### Mounting

LED strip is equipped with 3M™ adhesive transfer tape (9472LE).

### Applications

Outdoor and wet locations - cove lighting, architectural accent, handrail, wet bars

### Approvals

IP65, IP67, and IP68 rated

### Operating voltage

24 VDC

### Average Life (L70)

50,000 hours

### Warranty

3 years



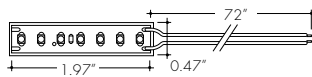
## Technical information

TYPE	LL42-WET-T			CCT	Multiplier (reference - 3000K)	TM-30			
	SO	HO	VHO			CRI	R <sub>f</sub>	R <sub>g</sub>	R <sub>9</sub>
<b>OUTPUT OPTIONS</b>									
Lumens Output (3000K)	119 lm/ft	200 lm/ft	290 lm/ft	2700K	0.76	97	96	101	91
Average Power Consumption (for a 4' section)	1.4 W/ft	2.4 W/ft	3.6 W/ft	3000K	1.00	97	95	104	97
Efficacy	85 lm/W	83 lm/W	81 lm/W	3500K	1.02	97	94	105	97
Cutting Increment (in)	1.97"			4100K	1.12	97	90	99	97
Pitch Length	0.28"								
Max Run Length (in series)	55 ft	45 ft	35 ft						
Dimensions	0.47"W x 0.24" H								

## Section Start/End Options

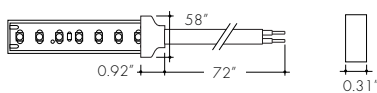
### SL65

72" Soldered Leads, IP65 rated



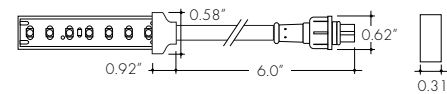
### SL68

72" Soldered Leads, IP68 rated



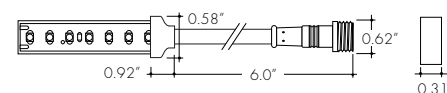
### LF

Female Quick Connect End, IP67 rated



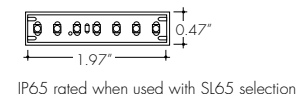
### LM

Male Quick Connect End, IP67 rated

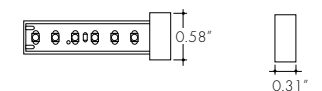


### NC

No Connector



IP65 rated when used with SL65 selection



IP67 rated when used with LM or LF selection

IP68 rated when used with SL68 selection

## Ordering code

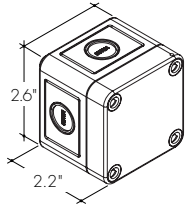
MODEL	OUTPUT	CCT	SECTION START <sup>1</sup>	SECTION END <sup>1</sup>	LENGTH
LL42WET-T-LineLED LL42 Wet Tube	SO-Standard HO-High VHO-Very High	27K-2700K 30K-3000K 35K-3500K 41K-4100K	SL65-IP65 Soldered lead wires (72") SL68-IP68 Soldered lead wires (72") LF-IP67 Female Quick Connect LM-IP67 Male Quick Connect NC-No Connector	SL65-IP65 Soldered lead wires (72") SL68-IP68 Soldered lead wires (72") LF-IP67 Female Quick Connect LM-IP67 Male Quick Connect NC-No Connector	Ordered in one foot increments. See chart above for max run length.

<sup>1</sup>- IP rating of strip is equal to the lowest IP rating of section start and end options.

### Accessories

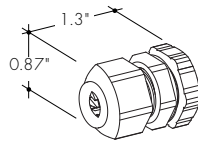
#### LVSP-WET

Splice box: wet rated, low voltage, gray



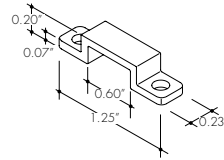
#### LVSP-WET-CM

Splice box connector, low voltage, gray



#### CL2

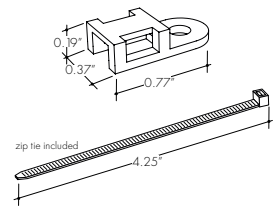
Mounting clip



Recommended every 12" when LineLED strip is facing down

#### LL-ZIP

Cable/Wire Strain Relief Clip



**Lens Options / Light Transmission**



Clear



Half (50%)  
Frosted



Graze



Frosted



Flat  
Frosted



Raised



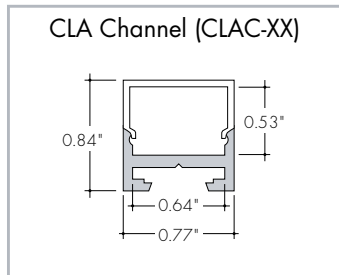
Square  
Frosted



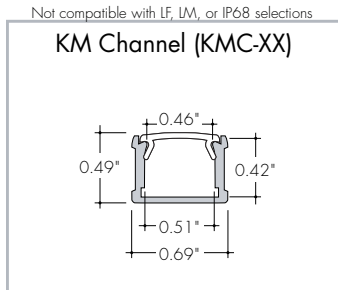
Round Square  
Frosted



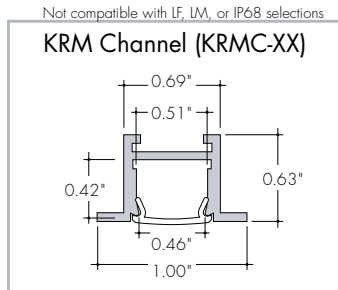
13°  
Semi-Frosted



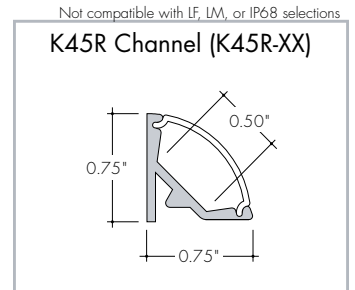
**S** **Q**  
62% 65%



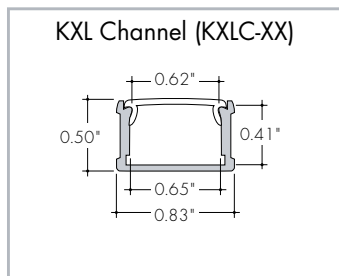
**C** **HF** **F** **FF** **R**  
82% 68% 45% 52% 58%



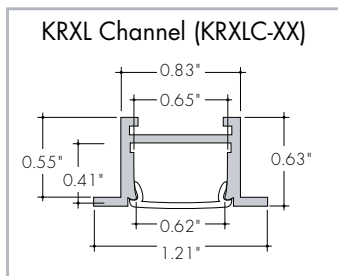
**C** **HF** **F** **FF**  
82% 68% 45% 52%



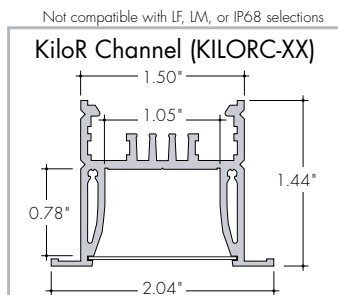
**RF**  
61%



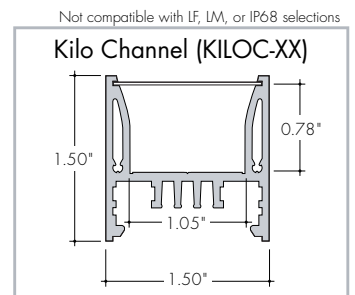
**C** **HF** **F**  
79% 66% 49%



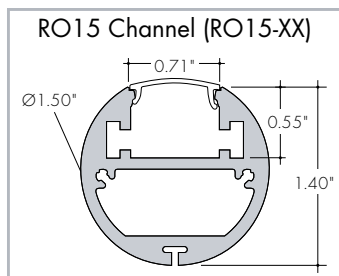
**C** **HF** **F**  
79% 66% 49%



**C** **F**  
85% 75%



**C** **F**  
85% 75%



**C** **F**  
65% 41%

**Installation**

All mounting channels are field cuttable using miter saw with circular blade suitable for cutting aluminum.

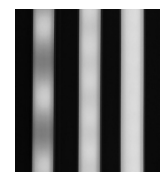
**Ordering**

Extrusions are sold separately. View respective specsheets for details on ordering extrusions and their accessories (endcaps, mounting brackets, etc).

**Led Dotting per Extrusion**

using the frosted lens option

Extrusion	LED Model LL42WET-T
<b>KXLC, KRXLC</b>	ND
<b>KLC, KRLC</b>	ND
<b>KILOC, KILORC</b>	ND
<b>RO15</b>	ND
<b>KMC</b>	ND
<b>CLAC</b>	ND
<b>MCAL</b>	ND



**CD SD ND**  
CD - Clear Dotting  
SD - Slight Dotting  
ND - No Dotting

**Power Consumption**

Tested at full power with PDC Series power supplies.

LL42WET-T						
Nominal Length	SO		HO		VHO	
	W/ft	Total Wattage	W/ft	Total Wattage	W/ft	Total Wattage
1	1.2	1.2	2.2	2.2	3.2	3.2
2	1.2	2.4	2.5	4.9	3.2	6.4
3	1.4	4.1	2.4	7.0	3.4	10.1
4	1.4	5.3	2.4	9.2	3.6	14.1
5	1.4	7.1	2.3	11.3	3.6	17.8
6	1.4	8.7	2.3	13.8	3.6	21.6
7	1.4	10.0	2.3	16.1	3.6	25.6
8	1.4	11.1	2.3	18.1	3.6	28.9
9	1.4	12.4	2.3	20.3	3.5	31.6
10	1.4	13.9	2.3	23.0	3.5	34.7
11	1.4	15.4	2.3	25.0	3.4	37.3
12	1.4	16.4	2.3	27.2	3.3	40.0
13	1.4	17.9	2.2	29.1	3.3	42.7
14	1.4	19.0	2.2	31.0	3.3	45.4
15	1.4	20.2	2.2	32.5	3.2	48.0
16	1.3	21.7	2.2	35.1	3.2	51.3
17	1.3	22.7	2.1	36.6	3.1	53.7
18	1.3	23.9	2.1	38.1	3.1	55.8
19	1.3	25.0	2.1	39.8	3.1	58.1
20	1.3	26.5	2.2	43.4	3.0	60.1
21	1.3	27.5	2.1	45.0	3.0	62.3
22	1.3	28.8	2.1	46.6	2.9	64.6
23	1.3	30.0	2.1	48.2	2.9	67.0
24	1.3	31.1	2.1	49.7	2.9	69.1
25	1.3	32.4	2.1	51.3	2.9	71.4
26	1.3	33.4	2.0	52.6	2.8	73.1
27	1.3	34.6	2.0	54.2	2.8	75.0
28	1.3	35.6	2.0	55.5	2.7	76.6
29	1.3	36.6	2.0	56.8	2.7	78.1
30	1.3	37.6	1.9	58.1	2.7	79.7
31	1.2	38.5	1.9	59.3	2.6	81.1
32	1.2	39.4	1.9	60.6	2.6	82.5
33	1.2	40.4	1.9	61.8	2.5	83.8
34	1.2	41.2	1.9	63.0	2.5	85.1
35	1.2	42.1	1.8	64.2	2.5	86.5
36	1.2	43.0	1.8	65.2		
37	1.2	44.0	1.8	66.4		
38	1.2	44.9	1.8	67.4		
39	1.2	45.8	1.8	68.5		
40	1.2	46.6	1.7	69.4		
41	1.2	47.3	1.7	70.3		
42	1.1	48.0	1.7	71.3		
43	1.1	48.8	1.7	72.2		
44	1.1	49.5	1.7	73.2		
45	1.1	50.1	1.6	74.0		
46	1.1	50.9				
47	1.1	51.7				
48	1.1	52.4				
49	1.1	53.1				
50	1.1	53.8				
51	1.1	54.4				
52	1.1	55.0				
53	1.1	55.7				
54	1.0	56.3				
55	1.0	56.8				

## Voltage Drop Calculator

The below chart assumes nominal voltage of 24 Volts and a Voltage Drop Allowance of 3% through the wire

Wattage [W]	Maximum Wire Length From Power Supply to Start of Run [ft]						
	12 AWG	14 AWG	16 AWG	18 AWG	20 AWG	22 AWG	24 AWG
<b>5</b>	1088.2	684.4	430.3	270.6	170.2	107.1	67.3
<b>10</b>	544.1	<b>342.2</b>	215.1	<b>135.3</b>	<b>85.1</b>	<b>53.5</b>	<b>33.7</b>
<b>15</b>	362.7	228.1	143.4	90.2	56.7	35.7	22.4
<b>20</b>	272.0	171.1	107.6	<b>67.7</b>	<b>42.6</b>	<b>26.8</b>	<b>16.8</b>
<b>25</b>	217.6	136.9	86.1	54.1	34.0	21.4	13.5
<b>30</b>	181.4	<b>114.1</b>	71.7	<b>45.1</b>	<b>28.4</b>	<b>17.8</b>	<b>11.2</b>
<b>35</b>	155.5	97.8	61.5	38.7	24.3	15.3	9.6
<b>40</b>	136.0	<b>85.5</b>	53.8	<b>33.8</b>	<b>21.3</b>	<b>13.4</b>	<b>8.4</b>
<b>45</b>	120.9	76.0	47.8	30.1	18.9	11.9	7.5
<b>50</b>	108.8	<b>68.4</b>	43.0	<b>27.1</b>	<b>17.0</b>	<b>10.7</b>	<b>6.7</b>
<b>55</b>	98.9	62.2	39.1	24.6	15.5	9.7	6.1
<b>60</b>	90.7	57.0	35.9	<b>22.6</b>	<b>14.2</b>	<b>8.9</b>	<b>5.6</b>
<b>65</b>	83.7	52.6	33.1	20.8	13.1	8.2	5.2
<b>70</b>	77.7	<b>48.9</b>	30.7	<b>19.3</b>	<b>12.2</b>	<b>7.6</b>	<b>4.8</b>
<b>75</b>	72.5	45.6	28.7	18.0	11.3	7.1	4.5
<b>80</b>	<b>68.0</b>	42.8	<b>26.9</b>	16.9	<b>10.6</b>	6.7	<b>4.2</b>
<b>85</b>	64.0	40.3	25.3	15.9	10.0	6.3	4.0
<b>90</b>	60.5	<b>38.0</b>	23.9	<b>15.0</b>	<b>9.5</b>	<b>5.9</b>	<b>3.7</b>
<b>96</b>	56.7	35.6	22.4	<b>14.1</b>	<b>8.9</b>	<b>5.6</b>	<b>3.5</b>

## Power Supplies

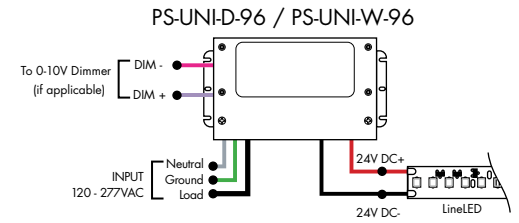
See Power Supply instructions and spec sheet for wiring information. For a complete list of compatible dimmers, see Compatible Dimming Chart on the Resources page.

### Ordering Code Universal Dimming Power Supplies 1% 120VAC - 277VAC

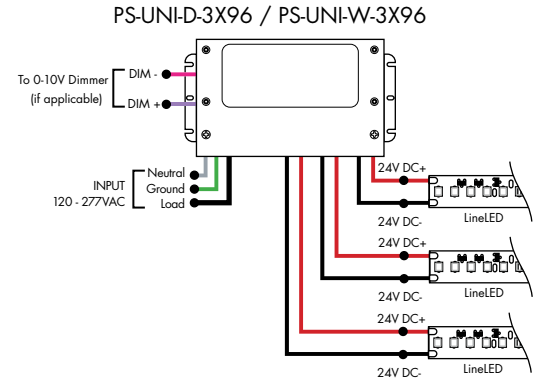
MODEL	INPUT CONTROL	ENVIRONMENT	WATTAGE	OUTPUT
PS-Power Supply, 120-277VAC	UNI-0-10V Dimming, Phase Dimming	D-Dry W-Wet	30-30 Watts 60-60 Watts 96-96 Watts 3x96-3x96 Watts	24-24 VDC

Compatibility: View a complete list of compatible dimmers on product page [\(Link\)](#)

0-10V - 1% dimming  
MLV/ELV/TRIAC - 1% dimming, consult dimming compatibility chart



MODELS	PS-UNI-W-30W	PS-UNI-W-60W	PS-UNI-W-96W	PS-UNI-W-3X96W
<b>Length</b>	6.50"	7.40"	8.66"	11.85"
<b>Width</b>	3.73"	3.73"	3.73"	4.32"
<b>Depth</b>	1.61"	1.61"	1.61"	1.81"

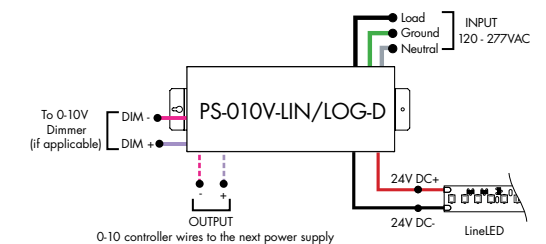
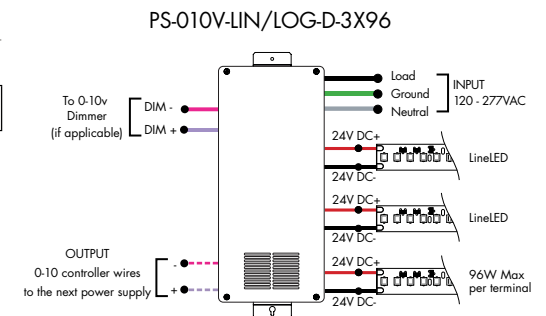


MODELS	PS-UNI-D-30W	PS-UNI-D-60W	PS-UNI-D-96W	PS-UNI-D-3X96W
<b>Length</b>	8.77"	8.77"	8.11"	9.94"
<b>Width</b>	4.27"	4.27"	5.60"	7.61"
<b>Depth</b>	1.83"	1.83"	1.83"	2.02"

### Ordering Code 0-10V Dimming Power Supplies 0.1% 120VAC - 277VAC

MODEL	INPUT CONTROL	ENVIRONMENT	WATTAGE	OUTPUT
PS-Power Supply, 120-277VAC	010V-LIN-0-10V Dimming (0.1%), Linear 010V-LOG-0-10V Dimming (0.1%), Logarithmic	D-Dry	96-96 Watts 3X96-3x96 Watts	24-24 VDC

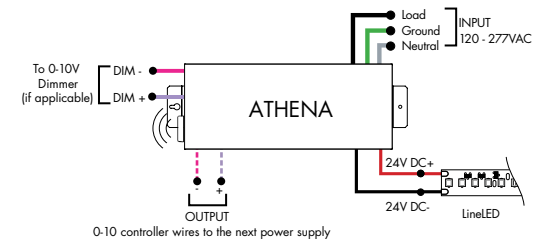
MODELS	96W	3X96
<b>Length</b>	14.40"	15.00"
<b>Width</b>	5.20"	6.62"
<b>Depth</b>	2.60"	4.45"



### Athena 0-10V LED Driver

MODEL	INPUT CONTROL	ENVIRONMENT	WATTAGE	OUTPUT	FEATURE
PS-Power Supply, 120-277VAC	010V-LIN-0-10V Dimming, Linear 010V-LOG-0-10V Dimming, Logarithmic	D-Dry	96-96 W	24-24 VDC	AWNR-Athena

MODELS	96W
<b>Length</b>	14.40"
<b>Width</b>	5.20"
<b>Depth</b>	2.60"



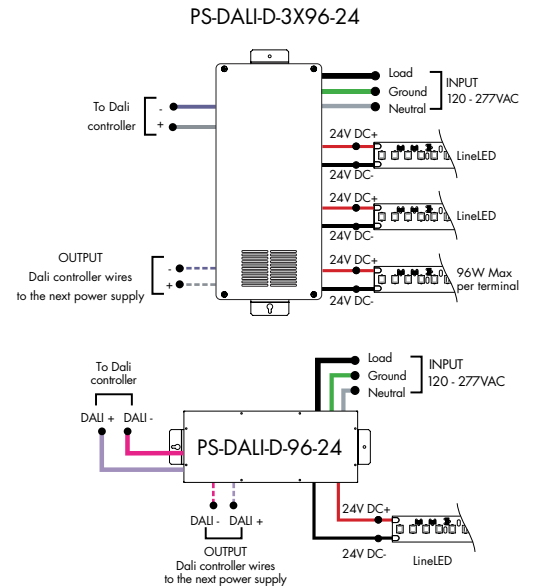
## Power Supplies

See Power Supply instructions and spec sheet for wiring information. For a complete list of compatible dimmers, see Compatible Dimming Chart on the Resources page.

### Ordering Code DALI Dimming Power Supplies 0.1% 120VAC - 277VAC

MODEL	INPUT CONTROL	ENVIRONMENT	WATTAGE	OUTPUT
PS-Power Supply, 120-277VAC	DALI-DALI (0.1%)	D-Dry	96-96 Watts 3X96-3X96 Watts	24-24 VDC

Model	96W	3X96
Length	14.40"	15.00"
Width	5.20"	6.62"
Depth	2.60"	4.56"

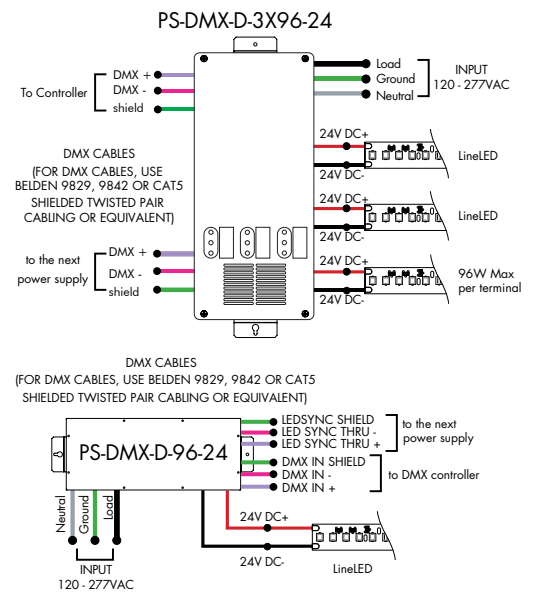


### Ordering Code DMX Dimming Power Supplies 0.1% 120VAC - 277VAC Requires Zonal Control

MODEL	INPUT CONTROL	ENVIRONMENT	WATTAGE	OUTPUT
PS-Power Supply, 120-277VAC	DMX-DMX (0.1%)	D-Dry	96-96 Watts 3X96-3X96 Watts	24-24 VDC

\*Zonal control power supplies. Control multiple tapes/zones using DMX channels.

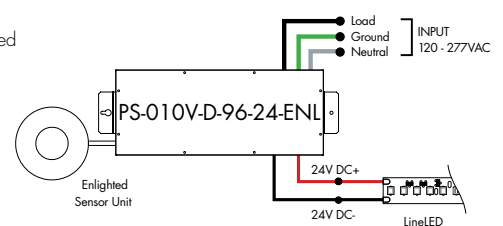
MODELS	96W	3X96
Length	14.40"	15.00"
Width	5.20"	6.62"
Depth	2.60"	4.56"



### Ordering Code Enlightened Enabled Dimming Power Supplies 1% 120VAC - 277VAC

MODEL	INPUT CONTROL	ENVIRONMENT	WATTAGE	OUTPUT	FEATURE
PS-Power Supply, 120-277VAC	010V-0-10V Dimming (1%)	D-Dry	96-96 Watts	24-24 VDC	ENL-0-10V Enlightened

Model	96W
Length	14.40"
Width	5.20"
Depth	2.60"

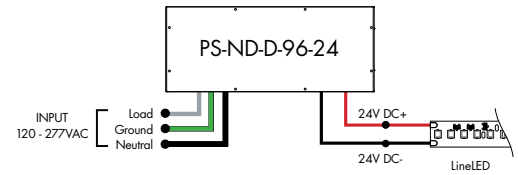


## Power Supplies

See Power Supply instructions and spec sheet for wiring information. For a complete list of compatible dimmers, see Compatible Dimming Chart on the Resources page.

### Ordering Code Non-Dimming Power Supply 120VAC - 277VAC

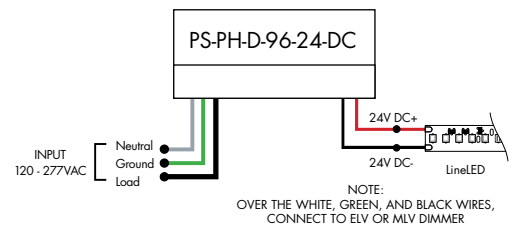
MODEL	INPUT CONTROL	ENVIRONMENT	WATTAGE	OUTPUT
PS - Power Supply, 120-277VAC	ND - Non Dimming	D - Dry	96-96 Watts	24 - 24 VDC



MODELS	96W
Length	14.40"
Width	5.20"
Depth	2.60"

### Ordering Code Phase Dimming Power Supply 1% 120VAC - 277VAC

MODEL	INPUT CONTROL	ENVIRONMENT	WATTAGE	OUTPUT	OUTPUT CONTROL
PS - Power Supply, 120-277VAC	PH - Phase Dimming (Triac, ELV, MLV)	D - Dry	96-96 Watts	24-24 VDC	DC - Direct Current

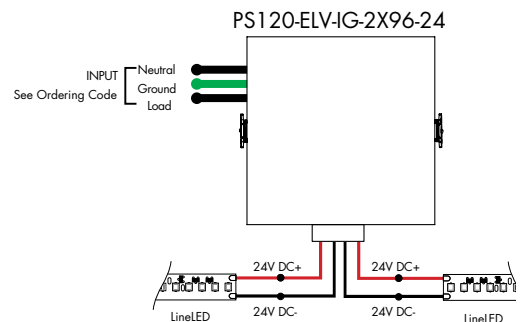


MLV/ELV/TRIAC - 1% dimming, consult dimming compatibility chart ([link](#))

MODELS	96W
Length	8.25"
Width	4.10"
Depth	1.56"

### Ordering Code In-Ground Power Supplies

MODEL	INPUT CONTROL	ENVIRONMENT	WATTAGE	OUTPUT
PS120 - Power Supply, 120VAC PS240 - Power Supply, 240VAC PS277 - Power Supply, 277VAC	ELV - ELV Dimming (1%)	IG - In Ground	2X96 - 2X96 Watts	24 - 24 VDC



MODELS	2X96W
Length	8.40"
Width	8.30"
Depth	8.10"



## Power Supplies

See Power Supply instructions and spec sheet for wiring information. For a complete list of compatible dimmers, see Compatible Dimming Chart on the Resources page.



Luminii is a Lutron OEM Advantage Partner

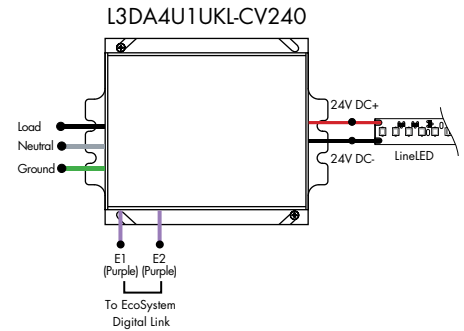
Lutron Power Supplies 1%

MODEL

**L3DA4U1UKL-CV240**

HiLume™ 1% EcoSystem Voltage LED driver  
40W max

MODELS	L3DA4U1UKL-CV240
Length	4.98"
Width	4.00"
Depth	2.62"



Luminii is a Lutron OEM Advantage Partner

Lutron Power Supplies 0.1%

MODEL

**L3D0-96W24V-U**

HiLume™ 0.1% EcoSystem Voltage LED Driver with Soft-On, Fade-to-Black™  
96W max

MODELS	L3D0
Length	10.50"
Width	5.50"
Depth	2.00"

