

**Features**



LL42 REEL



LL72 REEL

Line LED LL series is a small profile, high performance LED strip. It offers excellent color quality with 95+ CRI and 95+ R9 values across the entire range of outputs, while sustaining efficacy above 90 lumens per watt. The simple range consists of just two configurations, 42 and 72 LEDs per foot, with multiple outputs from each, providing a range from 100 to over 500 lumens per foot. Industry-best color consistency is ensured with single-binned LEDs. LL72 provides smooth, dot-free illumination in all Luminii extrusions when paired with a frosted lens.

Note: Reels ship with 1 foot of pre-soldered 18 AWG wire.

**Mounting**

LED strip is equipped with 3M™ adhesive transfer tape (9472LE).

**Applications**

Indoor only - millwork, cove, architectural reveals, undercabinet, display case, handrail, accent lighting.

**Approvals**

Class 2 damp listed

**Operating voltage**

24 VDC

**Average Life (L70)**

50,000 hours

**Warranty**

7 years

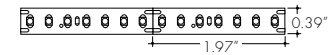


**Technical information**

TYPE	LL42			LL72		
	SO	HO	VHO	SO	HO	VHO
<b>OUTPUT OPTIONS</b>						
<b>Lumens Output (3000K)</b>	132 lm/ft	222 lm/ft	322 lm/ft	272 lm/ft	442 lm/ft	537 lm/ft
<b>Average Power Consumption (for a 4" section)</b>	1.4 W/ft	2.4 W/ft	3.6 W/ft	2.8 W/ft	4.8 W/ft	6.0 W/ft
<b>Efficacy</b>	94 lm/W	93 lm/W	89 lm/W	97 lm/W	92 lm/W	90 lm/W
<b>Cutting Increment (in)</b>	1.97"			1.16"		
<b>Pitch Length</b>	0.28"			0.17"		
<b>Max Run Length (in series)</b>	55 ft	45 ft	35 ft	40 ft	31 ft	22 ft
<b>Reel Length</b>	49.2 ft			49.2 ft		32.8ft
<b>Dimensions</b>	0.39"W x 0.09" H					

**Section Start/End Options**

No connector



CCT	Multiplier (reference - 3000K)	CRI	TM-30		
			R <sub>f</sub>	R <sub>g</sub>	R <sub>9</sub>
2700K	0.74	97	96	101	91
3000K	1.00	97	95	104	97
3500K	1.02	97	94	105	97

**Ordering code**

MODEL	OUTPUT	CCT	REEL
LL42-LineLED LL42	SO-Standard	27K-2700K	R-Reel
LL72-LineLED LL72	HO-High VHO-Very High <sup>1</sup>	30K-3000K 35K-3500K	

<sup>1</sup> - LL72-VHO Reels only available in 32.8 ft length.

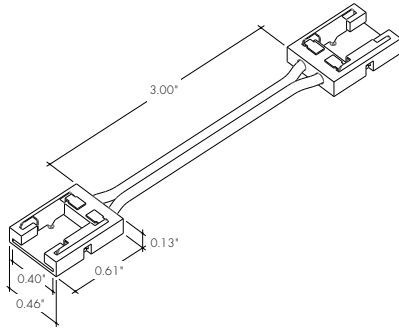
### Minii Connectors

Minii connectors are easy, field-installable accessories that make joining LL strip simple! Their minimal width allows them to fit into extrusions, while their transparent frame eliminates dark spots.

**Note: verify internal extrusion dimensions to confirm compatibility**

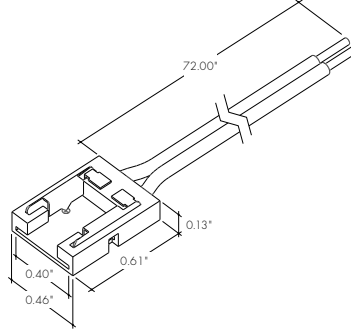
#### LL-PJC-10-03

Jumper minii connector with 3" wire for LL42/72 LED strip



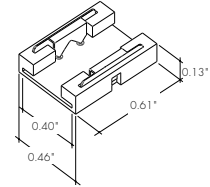
#### LL-PFC-10-72

Power feed minii connector with 72" wire for LL42/72 LED strip

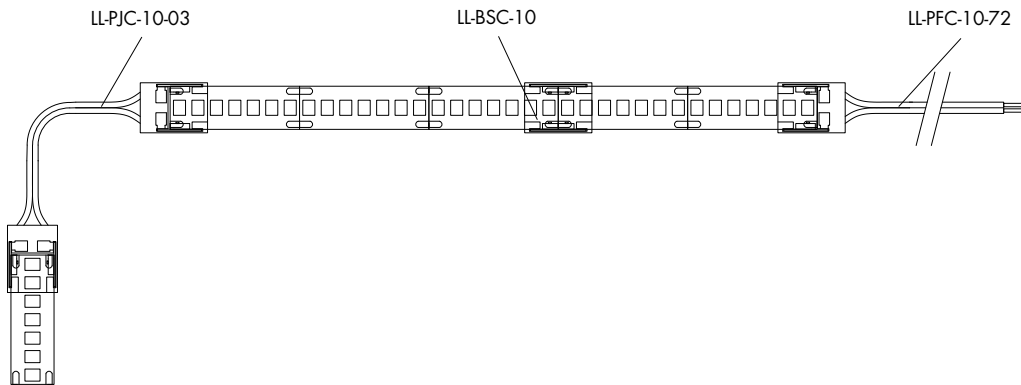


#### LL-BSC-10

Butt splice minii connector for LL42/72 LED strip



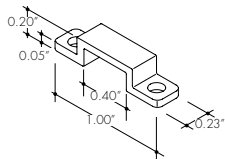
### Sample Layout



### Accessories

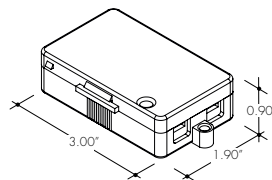
#### CL1

Mounting clip



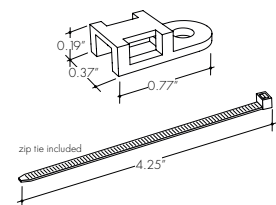
#### LVSP-4T-BK

Low Voltage, 4 Terminal Splice Box, Black



#### LL.ZIP

Cable/Wire Strain Relief Clip



Recommended every 12" when LineLED strip is facing down

**Lens Options / Light Transmission**

<b>C</b> Clear	<b>HF</b> Half (50%) Frosted	<b>GR</b> Graze	<b>F</b> Frosted	<b>FF</b> Flat Frosted	<b>R</b> Raised	<b>S</b> Square Frosted	<b>Q</b> Round Square Frosted	<b>13°</b> 13° Semi-Frosted
<b>CLA Channel (CLAC-XX)</b> 	<b>MCAL Channel (MCALC-XX)</b> 	<b>K45V Channel (K45V-XX)</b> 	<b>K45R Channel (K45R-XX)</b> 					
<b>S</b> 62% <b>Q</b> 65%	<b>C</b> 86%	<b>C</b> 82% <b>HF</b> 68% <b>F</b> 45% <b>13°</b> 76%	<b>RF</b> 61%					
<b>KILO Channel (KILORC-XX)</b> 	<b>KILO Channel (KILOC-XX)</b> 	<b>KL Channel (KLC-XX)</b> 	<b>KRL Channel (KRLC-XX)</b> 					
<b>C</b> 85% <b>F</b> 75%	<b>C</b> 85% <b>F</b> 75%	<b>C</b> 81% <b>HF</b> 67% <b>F</b> 51%	<b>C</b> 81% <b>HF</b> 67% <b>F</b> 51%					
<b>KM Channel (KMC-XX)</b> 	<b>KRM Channel (KRMC-XX)</b> 	<b>KXL Channel (KXLC-XX)</b> 	<b>KRXL Channel (KRXLC-XX)</b> 					
<b>C</b> 82% <b>HF</b> 68% <b>F</b> 45% <b>FF</b> 52% <b>R</b> 58% <b>GR</b> 56%	<b>C</b> 82% <b>HF</b> 68% <b>F</b> 45% <b>FF</b> 52% <b>GR</b> 56%	<b>C</b> 79% <b>HF</b> 66% <b>F</b> 49%	<b>C</b> 79% <b>HF</b> 66% <b>F</b> 49%					

**Installation**

All mounting channels are field cuttable using miter saw with circular blade suitable for cutting aluminum.

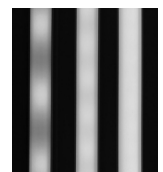
**Ordering**

Extrusions are sold separately. View respective specsheets for details on ordering extrusions and their accessories (endcaps, mounting brackets, etc).

**Led Dotting per Extrusion**

using the frosted lens option

Extrusion	LED Model LL42	LED Model LL72
<b>CLA</b>	ND	ND
<b>MCAL</b>	ND	ND
<b>K45V</b>	SD	ND
<b>KM</b>	ND	ND
<b>KRM</b>	ND	ND
<b>K45R</b>	ND	ND
<b>KILOR</b>	ND	ND
<b>KILO</b>	ND	ND
<b>KL</b>	CD	ND
<b>KRL</b>	CD	ND



**CD** - Clear Dotting  
**SD** - Slight Dotting  
**ND** - No Dotting

**Lens Options / Light Transmission**



Clear



Half (50%)  
Frosted



Graze



Frosted



Flat  
Frosted



Raised



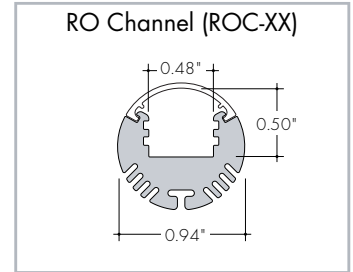
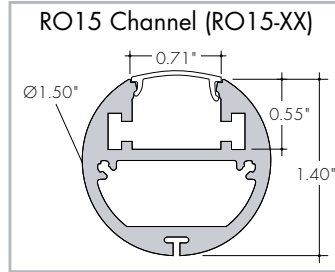
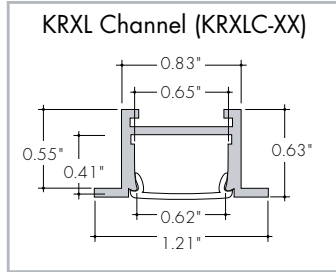
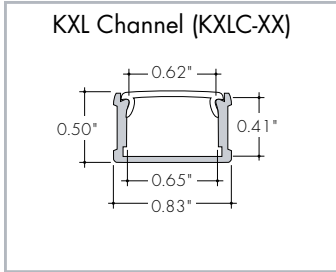
Square  
Frosted



Round Square  
Frosted



13°  
Semi-Frosted



**C** **HF** **F**  
79% 66% 49%

**C** **HF** **F**  
79% 66% 49%

**C** **F**  
65% 41%

**C** **F**  
79% 54%

**Installation**

All mounting channels are field cuttable using miter saw with circular blade suitable for cutting aluminum.

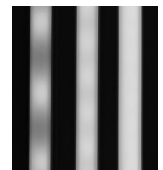
**Ordering**

Extrusions are sold separately. View respective specsheets for details on ordering extrusions and their accessories (endcaps, mounting brackets, etc).

**Led Dotting per Extrusion**

using the frosted lens option

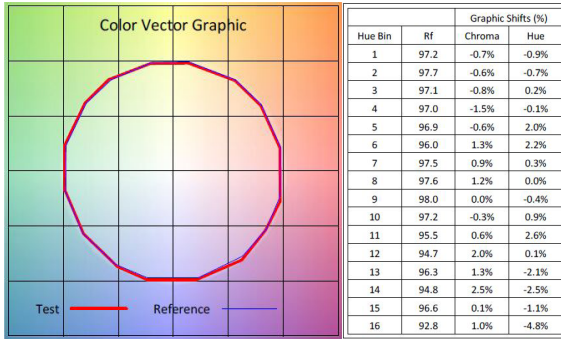
Extrusion	LED Model LL42	LED Model LL72
<b>KXL</b>	ND	ND
<b>KRXL</b>	ND	ND
<b>RO15</b>	ND	ND
<b>RO</b>	ND	ND



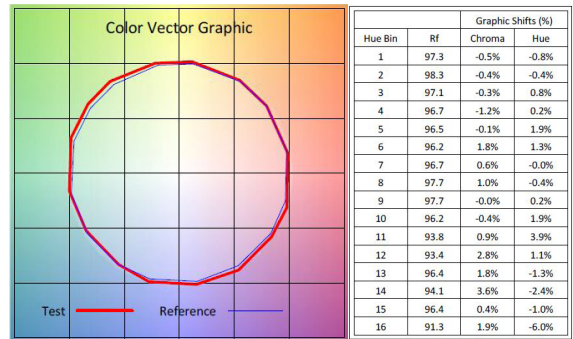
**CD** **SD** **ND**  
CD - Clear Dotting  
SD - Slight Dotting  
ND - No Dotting

TM-30 Color Vector Graphics

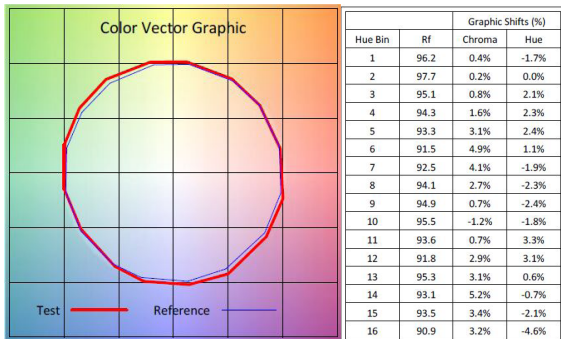
2700K



3000K



3500K



**Power Consumption**

Tested at full power with PDC Series power supplies.

Nominal Length	LL42						LL72					
	SO		HO		VHO		SO		HO		VHO	
	W/ft	Total Wattage	W/ft	Total Wattage	W/ft	Total Wattage	W/ft	Total Wattage	W/ft	Total Wattage	W/ft	Total Wattage
1	1.2	1.2	2.2	2.2	3.2	3.2	2.7	2.7	4.4	4.4	6.2	6.2
2	1.2	2.4	2.5	4.9	3.2	6.4	2.8	5.6	4.7	9.4	6.3	12.6
3	1.4	4.1	2.4	7.0	3.4	10.1	2.7	8.2	4.6	13.8	6.1	18.4
4	1.4	5.3	2.4	9.2	3.6	14.1	2.7	10.7	4.5	17.8	6.0	23.5
5	1.4	7.1	2.3	11.3	3.6	17.8	2.8	13.8	4.6	22.8	5.8	29.1
6	1.4	8.7	2.3	13.8	3.6	21.6	2.7	16.4	4.4	26.6	5.8	34.7
7	1.4	10.0	2.3	16.1	3.6	25.6	2.7	19.2	4.3	30.8	5.6	40.0
8	1.4	11.1	2.3	18.1	3.6	28.9	2.7	21.8	4.3	34.6	5.5	44.2
9	1.4	12.4	2.3	20.3	3.5	31.6	2.7	24.1	4.3	38.4	5.5	49.2
10	1.4	13.9	2.3	23.0	3.5	34.7	2.7	26.7	4.2	42.0	5.4	54.0
11	1.4	15.4	2.3	25.0	3.4	37.3	2.6	29.1	4.1	45.3	5.3	58.1
12	1.4	16.4	2.3	27.2	3.3	40.0	2.6	31.2	4.0	47.8	5.2	61.9
13	1.4	17.9	2.2	29.1	3.3	42.7	2.6	33.5	4.0	51.7	4.9	64.3
14	1.4	19.0	2.2	31.0	3.3	45.4	2.5	35.5	3.9	54.9	5.1	72.0
15	1.4	20.2	2.2	32.5	3.2	48.0	2.5	37.7	3.9	57.6	5.0	74.4
16	1.3	21.7	2.2	35.1	3.2	51.3	2.5	40.4	3.8	61.5	4.9	78.7
17	1.3	22.7	2.1	36.6	3.1	53.7	2.5	42.4	3.8	63.8	4.7	80.1
18	1.3	23.9	2.1	38.1	3.1	55.8	2.5	44.9	3.7	66.9	4.6	84.0
19	1.3	25.0	2.1	39.8	3.1	58.1	2.4	46.5	3.6	69.0	4.6	87.2
20	1.3	26.5	2.2	43.4	3.0	60.1	2.4	48.5	3.6	71.7	4.5	90.0
21	1.3	27.5	2.1	45.0	3.0	62.3	2.4	49.8	3.5	74.5	4.4	92.5
22	1.3	28.8	2.1	46.6	2.9	64.6	2.3	51.5	3.5	76.2	4.3	95.6
23	1.3	30.0	2.1	48.2	2.9	67.0	2.3	52.6	3.4	78.0		
24	1.3	31.1	2.1	49.7	2.9	69.1	2.3	55.4	3.4	80.6		
25	1.3	32.4	2.1	51.3	2.9	71.4	2.3	56.8	3.3	82.2		
26	1.3	33.4	2.0	52.6	2.8	73.1	2.2	57.3	3.3	84.4		
27	1.3	34.6	2.0	54.2	2.8	75.0	2.2	58.1	3.2	86.5		
28	1.3	35.6	2.0	55.5	2.7	76.6	2.2	60.8	3.2	88.2		
29	1.3	36.6	2.0	56.8	2.7	78.1	2.2	63.3	3.1	89.4		
30	1.3	37.6	1.9	58.1	2.7	79.7	2.2	65.1	3.0	90.9		
31	1.2	38.5	1.9	59.3	2.6	81.1	2.1	64.9	3.0	91.5		
32	1.2	39.4	1.9	60.6	2.6	82.5	2.1	67.8				
33	1.2	40.4	1.9	61.8	2.5	83.8	2.1	69.6				
34	1.2	41.2	1.9	63.0	2.5	85.1	2.1	69.9				
35	1.2	42.1	1.8	64.2	2.5	86.5	2.0	71.4				
36	1.2	43.0	1.8	65.2			2.0	72.8				
37	1.2	44.0	1.8	66.4			2.0	73.7				
38	1.2	44.9	1.8	67.4			2.0	75.5				
39	1.2	45.8	1.8	68.5			1.9	75.9				
40	1.2	46.6	1.7	69.4			1.9	76.7				
41	1.2	47.3	1.7	70.3								
42	1.1	48.0	1.7	71.3								
43	1.1	48.8	1.7	72.2								
44	1.1	49.5	1.7	73.2								
45	1.1	50.1	1.6	74.0								
46	1.1	50.9										
47	1.1	51.7										
48	1.1	52.4										
49	1.1	53.1										
50	1.1	53.8										
51	1.1	54.4										
52	1.1	55.0										
53	1.1	55.7										
54	1.0	56.3										
55	1.0	56.8										

## Voltage Drop Calculator

The below chart assumes nominal voltage of 24 Volts and a Voltage Drop Allowance of 3% through the wire

Wattage [W]	Maximum Wire Length From Power Supply to Start of Run [ft]						
	12 AWG	14 AWG	16 AWG	18 AWG	20 AWG	22 AWG	24 AWG
<b>5</b>	1088.2	684.4	430.3	270.6	170.2	107.1	67.3
<b>10</b>	544.1	342.2	215.1	135.3	85.1	53.5	33.7
<b>15</b>	362.7	228.1	143.4	90.2	56.7	35.7	22.4
<b>20</b>	272.0	171.1	107.6	67.7	42.6	26.8	16.8
<b>25</b>	217.6	136.9	86.1	54.1	34.0	21.4	13.5
<b>30</b>	181.4	114.1	71.7	45.1	28.4	17.8	11.2
<b>35</b>	155.5	97.8	61.5	38.7	24.3	15.3	9.6
<b>40</b>	136.0	85.5	53.8	33.8	21.3	13.4	8.4
<b>45</b>	120.9	76.0	47.8	30.1	18.9	11.9	7.5
<b>50</b>	108.8	68.4	43.0	27.1	17.0	10.7	6.7
<b>55</b>	98.9	62.2	39.1	24.6	15.5	9.7	6.1
<b>60</b>	90.7	57.0	35.9	22.6	14.2	8.9	5.6
<b>65</b>	83.7	52.6	33.1	20.8	13.1	8.2	5.2
<b>70</b>	77.7	48.9	30.7	19.3	12.2	7.6	4.8
<b>75</b>	72.5	45.6	28.7	18.0	11.3	7.1	4.5
<b>80</b>	68.0	42.8	26.9	16.9	10.6	6.7	4.2
<b>85</b>	64.0	40.3	25.3	15.9	10.0	6.3	4.0
<b>90</b>	60.5	38.0	23.9	15.0	9.5	5.9	3.7
<b>96</b>	56.7	35.6	22.4	14.1	8.9	5.6	3.5

### Power Supplies

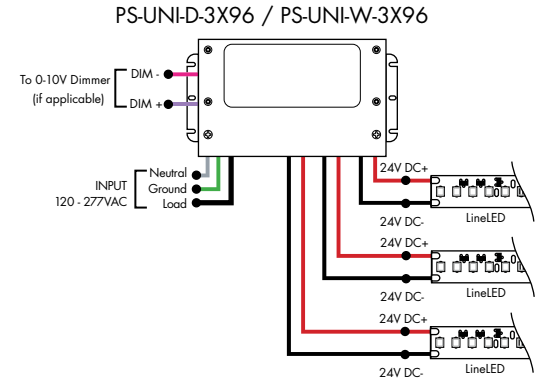
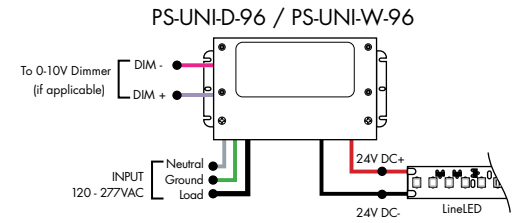
See Power Supply instructions and spec sheet for wiring information. For a complete list of compatible dimmers, see Compatible Dimming Chart on the Resources page.

#### Ordering Code Universal Dimming Power Supplies 1% 120VAC - 277VAC

MODEL	INPUT CONTROL	ENVIRONMENT	WATTAGE	OUTPUT
PS-Power Supply, 120-277VAC	UNI-0-10V Dimming, Phase Dimming	D-Dry W-Wet	30-30 Watts 60-60 Watts 96-96 Watts 3x96-3x96 Watts	24-24 VDC

Compatibility: View a complete list of compatible dimmers on product page [\(Link\)](#)

0-10V - 1% dimming  
MLV/ELV/TRIAC - 1% dimming, consult dimming compatibility chart



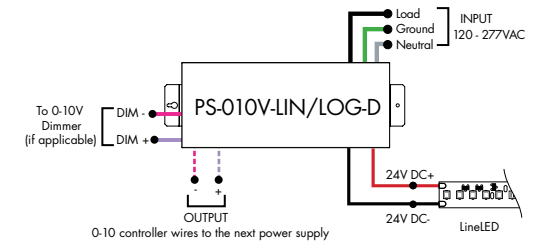
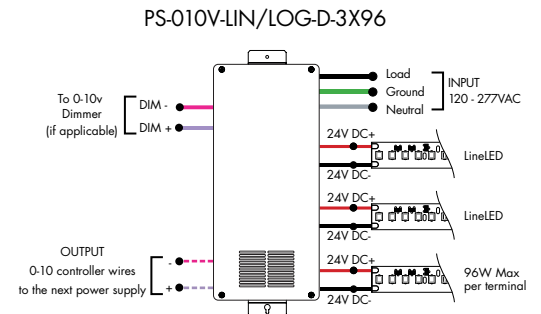
MODELS	PS-UNI-W-30W	PS-UNI-W-60W	PS-UNI-W-96W	PS-UNI-W-3X96W
Length	6.50"	7.40"	8.66"	11.85"
Width	3.73"	3.73"	3.73"	4.32"
Depth	1.61"	1.61"	1.61"	1.81"

MODELS	PS-UNI-D-30W	PS-UNI-D-60W	PS-UNI-D-96W	PS-UNI-D-3X96W
Length	8.77"	8.77"	8.11"	9.94"
Width	4.27"	4.27"	5.60"	7.61"
Depth	1.83"	1.83"	1.83"	2.02"

#### Ordering Code 0-10V Dimming Power Supplies 0.1% 120VAC - 277VAC

MODEL	INPUT CONTROL	ENVIRONMENT	WATTAGE	OUTPUT
PS-Power Supply, 120-277VAC	010V-LIN-0-10V Dimming (0.1%), Linear 010V-LOG-0-10V Dimming (0.1%), Logarithmic	D-Dry	96-96 Watts 3X96-3x96 Watts	24-24 VDC

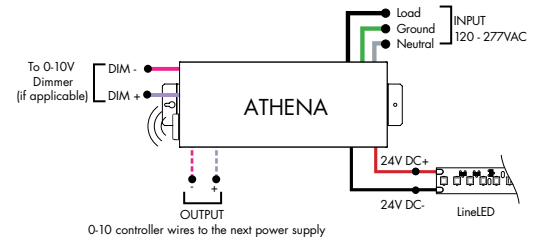
MODELS	96W	3X96
Length	14.40"	15.00"
Width	5.20"	6.62"
Depth	2.60"	4.45"



#### Athena 0-10V LED Driver

MODEL	INPUT CONTROL	ENVIRONMENT	WATTAGE	OUTPUT	FEATURE
PS-Power Supply, 120-277VAC	010V-LIN-0-10V Dimming, Linear 010V-LOG-0-10V Dimming, Logarithmic	D-Dry	96-96 W	24-24 VDC	AWNR-Athena

MODELS	96W
Length	14.40"
Width	5.20"
Depth	2.60"

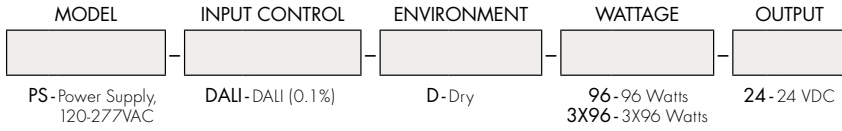




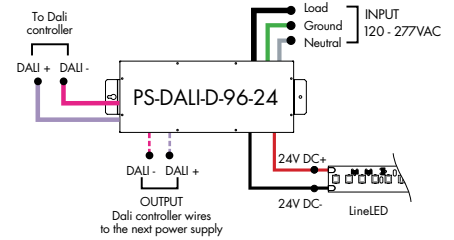
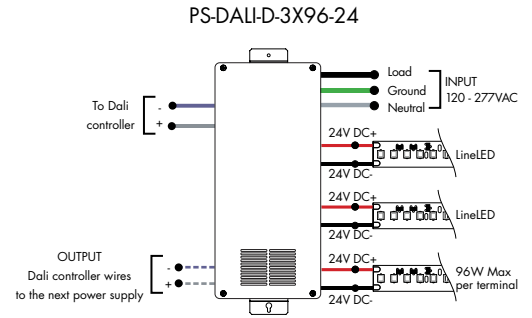
## Power Supplies

See Power Supply instructions and spec sheet for wiring information. For a complete list of compatible dimmers, see Compatible Dimming Chart on the Resources page.

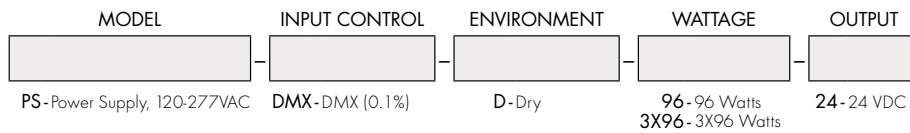
### Ordering Code DALI1 Dimming Power Supplies 0.1% 120VAC - 277VAC



Model	96W	3X96
Length	14.40"	15.00"
Width	5.20"	6.62"
Depth	2.60"	4.56"

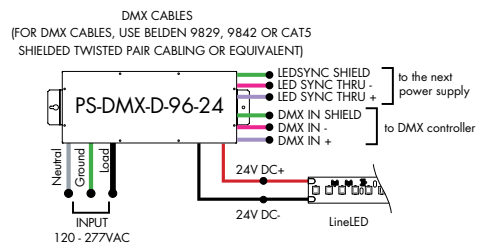
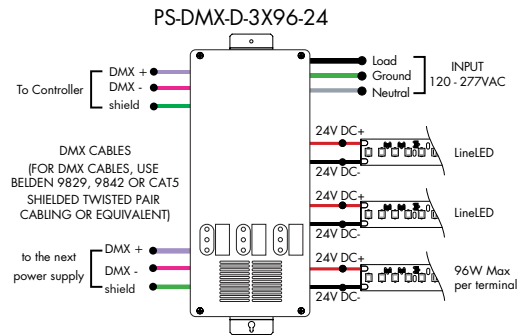


### Ordering Code DMX Dimming Power Supplies 0.1% 120VAC - 277VAC Requires Zonal Control

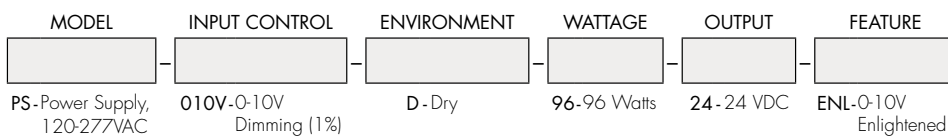


\*Zonal control power supplies. Control multiple tapes/zones using DMX channels.

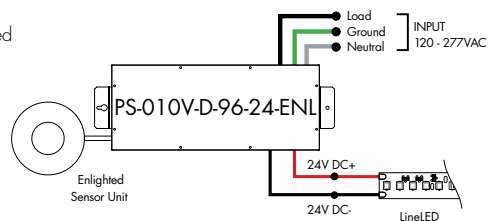
MODELS	96W	3X96
Length	14.40"	15.00"
Width	5.20"	6.62"
Depth	2.60"	4.56"



### Ordering Code Enlightened Enabled Dimming Power Supplies 1% 120VAC - 277VAC



Model	96W
Length	14.40"
Width	5.20"
Depth	2.60"

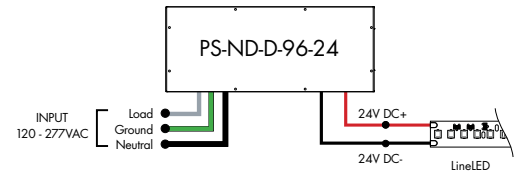


## Power Supplies

See Power Supply instructions and spec sheet for wiring information. For a complete list of compatible dimmers, see Compatible Dimming Chart on the Resources page.

### Ordering Code Non-Dimming Power Supply 120VAC - 277VAC

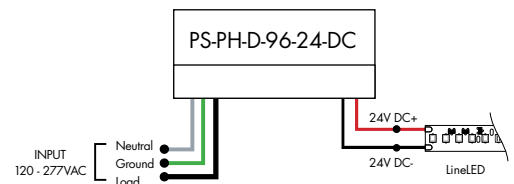
MODEL	INPUT CONTROL	ENVIRONMENT	WATTAGE	OUTPUT
PS	ND	D	96	24
Power Supply, 120-277VAC	Non Dimming	Dry	96 Watts	24 VDC



MODELS	96W
Length	14.40"
Width	5.20"
Depth	2.60"

### Ordering Code Phase Dimming Power Supply 1% 120VAC - 277VAC

MODEL	INPUT CONTROL	ENVIRONMENT	WATTAGE	OUTPUT	OUTPUT CONTROL
PS	PH	D	96	24	DC
Power Supply, 120-277VAC	Phase Dimming (Triac, ELV, MLV)	Dry	96 Watts	24 VDC	Direct Current



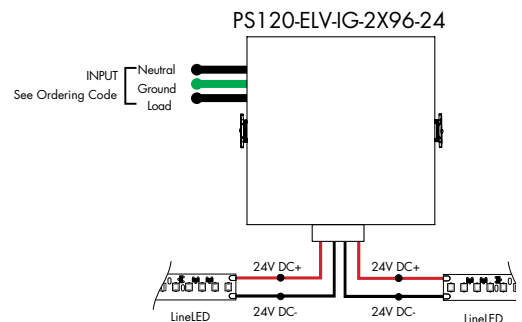
MLV/ELV/TRIAC - 1% dimming, consult dimming compatibility chart ([link](#))

NOTE:  
OVER THE WHITE, GREEN, AND BLACK WIRES,  
CONNECT TO ELV OR MLV DIMMER

MODELS	96W
Length	8.25"
Width	4.10"
Depth	1.56"

### Ordering Code In-Ground Power Supplies

MODEL	INPUT CONTROL	ENVIRONMENT	WATTAGE	OUTPUT
PS120	ELV	IG	2X96	24
Power Supply, 120VAC	ELV Dimming (1%)	In Ground	2X96 Watts	24 VDC
PS240				
Power Supply, 240VAC				
PS277				
Power Supply, 277VAC				



MODELS	2X96W
Length	8.40"
Width	8.30"
Depth	8.10"

**Power Supplies**

See Power Supply instructions and spec sheet for wiring information. For a complete list of compatible dimmers, see Compatible Dimming Chart on the Resources page.



Luminii is a Lutron OEM Advantage Partner

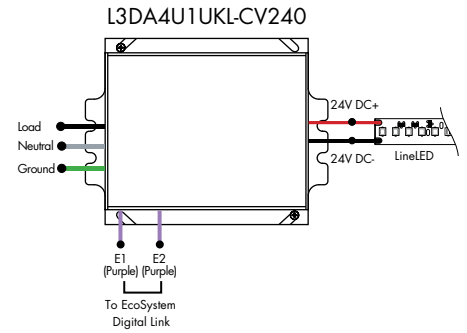
**Lutron Power Supplies 1%**

MODEL

**L3DA4U1UKL-CV240**

HiLume™ 1% EcoSystem Voltage LED driver  
40W max

MODELS	L3DA4U1UKL-CV240
<b>Length</b>	4.98"
<b>Width</b>	4.00"
<b>Depth</b>	2.62"



Luminii is a Lutron OEM Advantage Partner

**Lutron Power Supplies 0.1%**

MODEL

**L3D0-96W24V-U**

HiLume™ 0.1% EcoSystem Voltage LED Driver with Soft-On, Fade-to-Black™  
96W max

MODELS	L3D0
<b>Length</b>	10.50"
<b>Width</b>	5.50"
<b>Depth</b>	2.00"

