

# LineLED Wet 24V - Installation Instructions

Models LLS36-WET-



7777 Merrimac Ave  
Niles, IL 60714  
T 224.333.6033  
F 224.757.7557  
info@luminii.com  
www.luminii.com

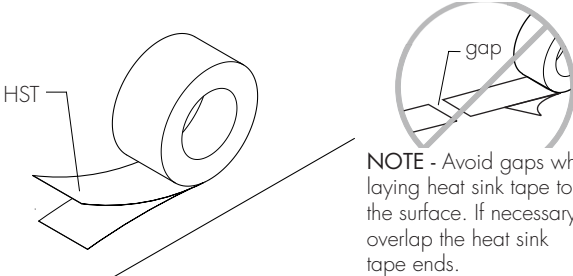
REVO.3  
10082024

1 / 3

Please read all instructions prior to installation and keep for future reference!

1. PRODUCT SHOULD BE INSTALLED BY A QUALIFIED ELECTRICIAN.
2. ENSURE POWER IS OFF AT FUSE BOX PRIOR TO INSTALLATION TO PREVENT ELECTRICAL SHOCK.
3. USE ONLY WITH CLASS 2 POWER UNIT.
4. SUITABLE FOR WET LOCATIONS.
5. FOR UNDER CABINET OR SHELF MOUNT.
6. AVOID EXPOSURE TO DIRECT SUNLIGHT.
7. NOT SUITABLE FOR APPLICATIONS WHERE LEDS CAN BECOME SUBMERGED.

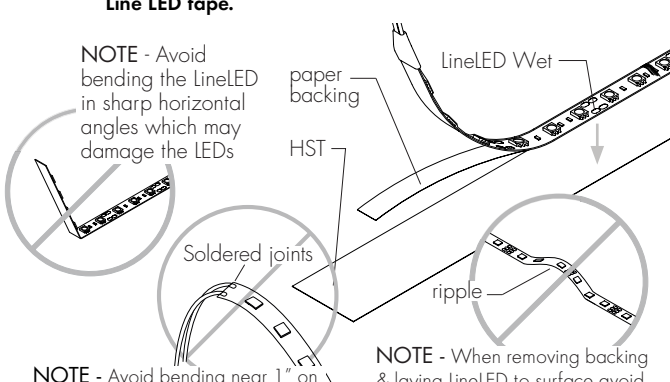
**1** **Attention:** Always test LineLED strip before installing. Connect LineLED to power supply to ensure it is working properly and no damage has occurred during shipping.



**NOTE** - Avoid gaps when laying heat sink tape to the surface. If necessary overlap the heat sink tape ends.

Clean the area thoroughly where the LineLED will be installed. Use the included Heat Sink Tape for all installation of LineLED unless its on a Luminii profile or non-painted aluminum to ensure proper heat dissipation. LineLED may not reach it's rated average life when installed otherwise.

**2** Remove the paper backing from the LineLED and firmly press down making sure there are no air bubbles that can cause surface irregularities to the LineLED. **Do not remove the adhesive, removing the adhesive may cause arcing of the Line LED tape.**

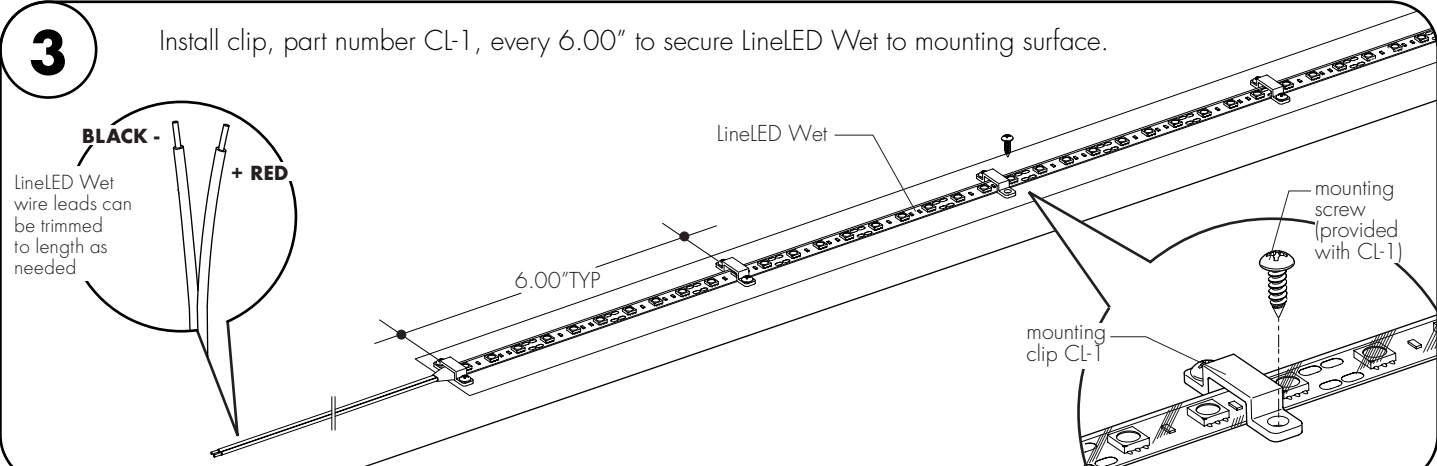


**NOTE** - Avoid bending the LineLED in sharp horizontal angles which may damage the LEDs

**NOTE** - When removing backing & laying LineLED to surface avoid ripples on LineLED.

**NOTE** - Avoid bending near 1" on both side of the soldered joint

**3** Install clip, part number CL-1, every 6.00" to secure LineLED Wet to mounting surface.



**BLACK -**  
**+ RED**

LineLED Wet wire leads can be trimmed to length as needed

6.00" TYP

mounting clip CL-1

mounting screw (provided with CL-1)

# LineLED Wet 24V - Installation Instructions

Models LLS36-WET-



7777 Merrimac Ave  
Niles, IL 60714  
T 224.333.6033  
F 224.757.7557  
info@luminii.com  
www.luminii.com

REVO.3  
10082024

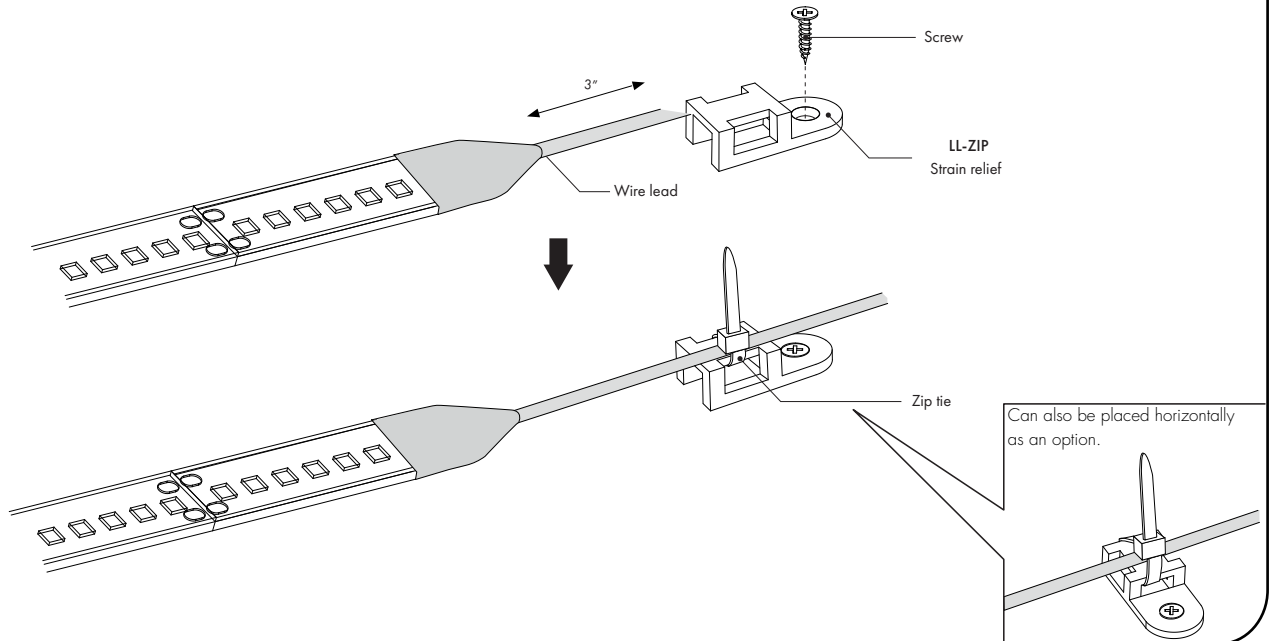
2 / 3

Please read all instructions prior to installation and keep for future reference!

1. PRODUCT SHOULD BE INSTALLED BY A QUALIFIED ELECTRICIAN.
2. ENSURE POWER IS OFF AT FUSE BOX PRIOR TO INSTALLTION TO PREVENT ELECTRICAL SHOCK.
3. USE ONLY WITH CLASS 2 POWER UNIT.
4. SUITABLE FOR VWET LOCATIONS.
5. FOR UNDER CABINET OR SHELF MOUNT.
6. AVOID EXPOSURE TO DIRECT SUNLIGHT.
7. NOT SUITABLE FOR APPLICATIONS WHERE LEDS CAN BECOME SUBMERGED.

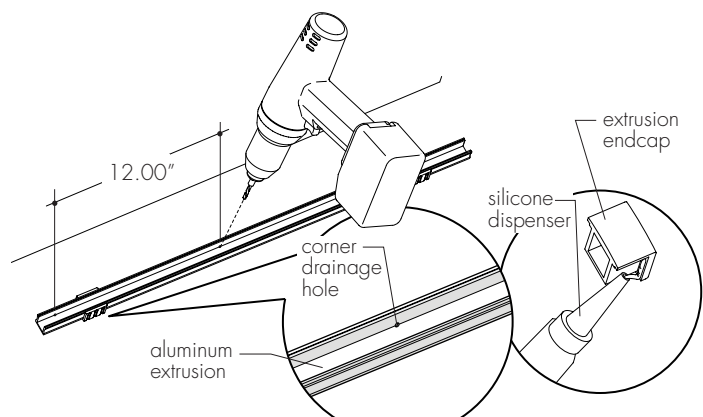
## 4

- 4.1 Place the strain relief in desired place. Make sure it is 3" away from the end of the strip.
- 4.2 Slide the ziptie through strain relief opening.
- 4.3 Lay wire lead on top of strain relief.
- 4.4 Tighten zip tie around lead wire. Cut off excess zip tie.



## 5

- 5.1 If installing LineLED Wet inside an extrusion that is facing up, drainage holes should be drilled along the inner corner of the extrusion at every 12". Drill 1/16" to 1/8" diameter holes before installing LineLED Wet. Also, silicone should be applied to edges of the endcaps and lens before installing onto extrusion.



# LineLED Wet 24V - Installation Instructions

Models LLS36-WET-

**Please read all instructions prior to installation and keep for future reference!**

1. PRODUCT SHOULD BE INSTALLED BY A QUALIFIED ELECTRICIAN.
2. ENSURE POWER IS OFF AT FUSE BOX PRIOR TO INSTALLTION TO PREVENT ELECTRICAL SHOCK.
3. USE ONLY WITH CLASS 2 POWER UNIT.
4. SUITABLE FOR WET LOCATIONS.
5. FOR UNDER CABINET OR SHELF MOUNT.
6. AVOID EXPOSURE TO DIRECT SUNLIGHT.
7. NOT SUITABLE FOR APPLICATIONS WHERE LEDS CAN BECOME SUBMERGED.



REVO.3  
10082024

3 / 3



7777 Merrimac Ave  
Niles, IL 60714  
T 224.333.6033  
F 224.757.7557  
info@luminii.com  
www.luminii.com

## Power Supply Wiring Diagram

**Note:** Prior to installation all 24VDC wires must be present near fixture. Refer to the power supply installation instructions for additional information.



Static White  
Wiring Diagram PDF